

# WA52M8650AV

SAMSUNG

## Samsung activewash™ Top-Load Washer

5.2 cu. ft. Capacity DOE



### Signature Features

#### activewash™

- Built-in sink for pretreatment.

#### Super Speed


- Wash a full load in as little as 36 minutes – 35% faster.\*

\*Normal 59-minute wash can now be completed in as little as up to 36 minutes as compared to WF42H5200 washer without Super Speed. Based on DOE standard's average of 7.5 loads per week.

#### VRT Plus™ Technology

- Reduces vibration 40% more than standard VRT™ for quiet washing.

### Available Colors

 Fingerprint Resistant  
Black Stainless Steel (shown)

 White



activewash™



Super Speed

### Features

- activewash™
- Super Speed
- VRT Plus™ Technology
- 5.2 cu. ft. Capacity
- Self Clean
- Smart Care
- Integrated Controls
- Swirl Interior Drum Design
- EZ Drawer Dispenser
- 800 RPM Maximum Spin Speed
- Stainless Steel Pulsator
- Direct Drive Motor
- 12 Preset Wash Cycles
- 9 Options

- LED Display: Ice Blue
- Door Lid: Chrome Deco  
Transparent Curved Glass
- Soft-Close Lid

### Convenience

- Child Lock
- Delay End
- Dispenser Trays: Main Wash,  
Softener, Bleach (Manual)

### Rating



ENERGY STAR®-rated  
IMEF = 2.06  
IWF = 4.30  
125 kWh/yr

# WA52M8650AV

# SAMSUNG

## Samsung activewash™ Top-Load Washer

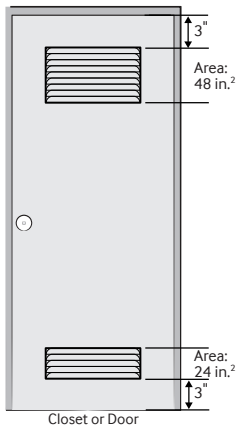
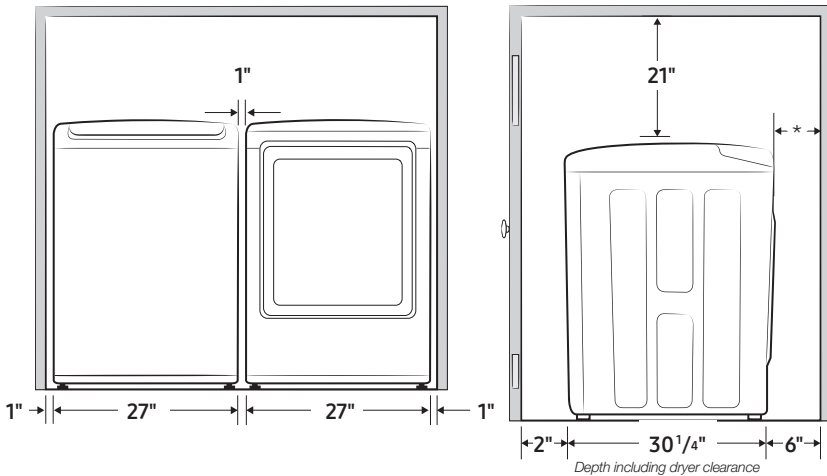
5.2 cu. ft. Capacity DOE

### Installation Specifications

#### Alcove or closet installation

Recessed Area

Side View Confined



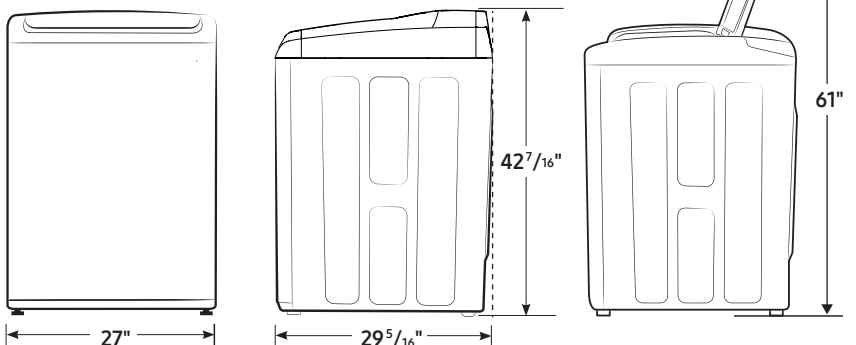
#### Minimum clearances for closets and alcoves:

Sides – 1"  
Top – 21"  
Rear – 6"  
Closet Front – 2"

If the washer and dryer are installed together, the closet front must have at least a 72-inch² unobstructed air opening. Your washer alone does not require a specific air opening.

\*Required spacing (External exhaust elbow may require additional space.)

### Dimensions



#### 12 Preset Wash Cycles:

Normal, Super Speed, Bedding/WaterProof, Heavy Duty, Permanent Press, Brilliant Whites, Active Wear, Delicates/Hand Wash, Quick Wash, Rinse and Spin, Spin Only, Deep Wash

#### 9 Options:

Self Clean, Delay End, My Cycle, Pre Soak, Extra Rinse, Sound On/Off, Child Lock, Smart Care, Eco Plus

#### 5 Temperature Settings:

Hot, Warm, Eco Warm, Cold, Cool

#### 4 Spin Settings:

High, Medium, Low, No Spin

#### 3 Soil Settings:

Heavy, Normal, Light

#### 2 Sound Level Settings:

On/Off

#### Dispenser Trays:

Main Wash, Softener, Bleach (Manual)

#### Warranty

One (1) Year Parts and Labor  
Three (3) Years Stainless Steel Tub (Part Only)  
Ten (10) Years Direct Drive Motor (Part Only)

#### Product Dimensions & Weight (WxHxD)

Dimensions: 27" x 42<sup>7</sup>/<sub>16</sub>" x 29<sup>5</sup>/<sub>16</sub>"  
Weight: 136.7 lbs

#### Shipping Dimensions & Weight (WxHxD)

Dimensions: 29<sup>9</sup>/<sub>16</sub>" x 45<sup>11</sup>/<sub>16</sub>" x 31<sup>1</sup>/<sub>16</sub>"  
Weight: 145.5 lbs

Color	Model #	UPC Code
Fingerprint Resistant		
Black Stainless Steel	WA52M8650AV	887276196442
White	WA52M8650AW	887276196459

#### Matching Dryer (Electric/Gas)

Fingerprint Resistant		
Black Stainless Steel	DVE52M8650V	887276196879
White	DVE52M8650W	887276196992

Fingerprint Resistant		
Black Stainless Steel	DVG52M8650V	887276196909
White	DVG52M8650W	887276196916