

SAVE THESE INSTRUCTIONS.

2

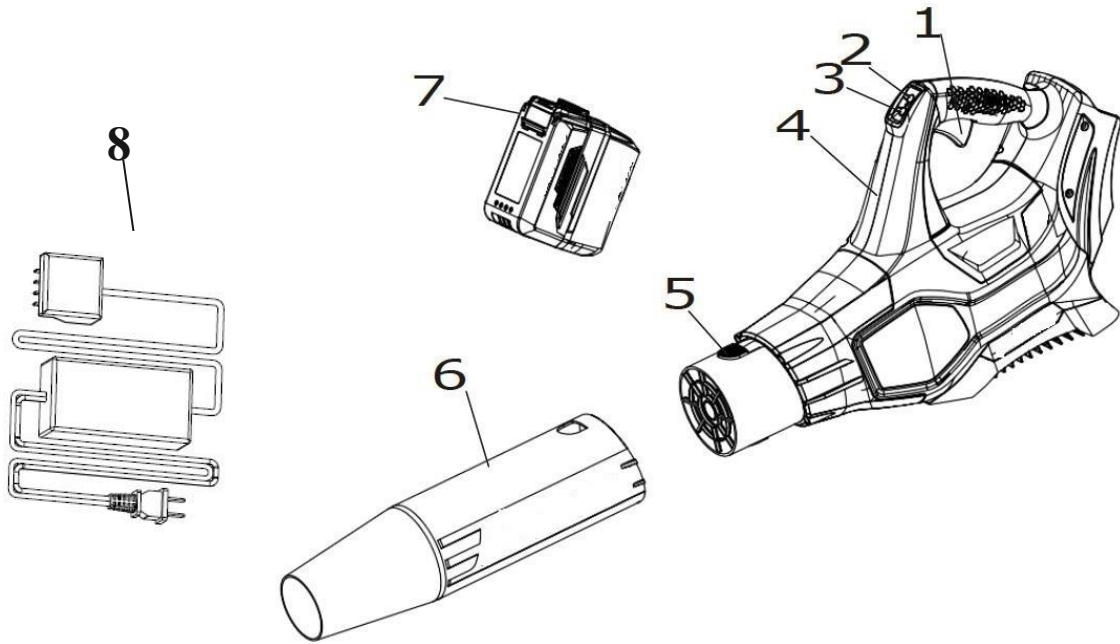
Model LB20040S

## FEATURES

### PRODUCT SPECIFICATIONS

#### LB20040S

Input . . . . . 40 V, DC only  
Battery . . . . . 40 V, 2.0Ah  
Speed . . . . . 100-140 MPH/ 355-500 CFM  
Tube Length . . . . . 15.7 In.  
Weight . . . . . 3.48 KGS (7.67 LBS)



No.	Description	No.	Description
1	Power Trigger	5	Tube Latch
2	Turbo Button	6	Blower Tube
3	Safety lock Button	7	Battery Pack
4	Motor Housing	8	Charger

## ASSEMBLY