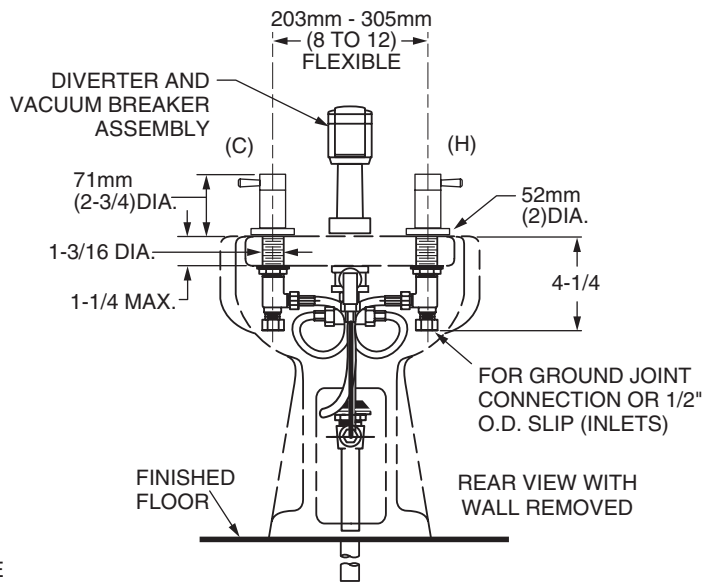
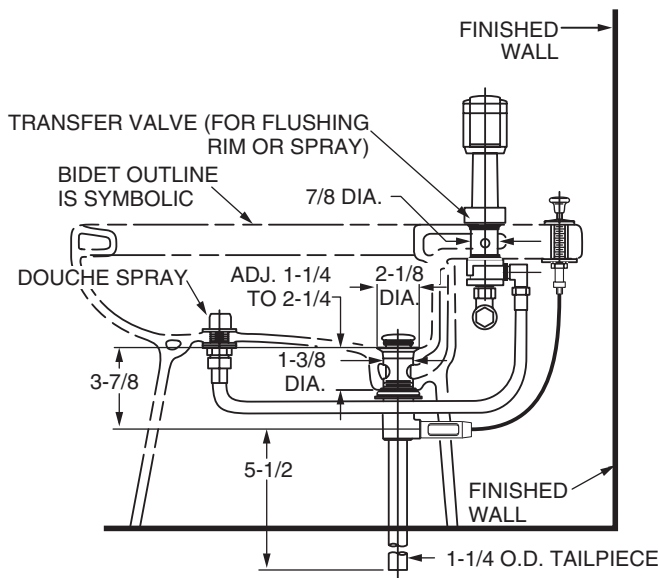


MODEL NUMBER:

- ❑ **2064.401 Fixture-Mounted Bidet Fitting**
Vacuum breaker. Metal Speed Connect™ pop-up drain. Lever handles.
- ❑ **2064.400 Fixture-Mounted Bidet Fitting**
Less vacuum breaker. Metal Speed Connect™ pop-up drain. Lever handles.



GENERAL DESCRIPTION:

Cast brass valve bodies. Metal lever handles. 1/4 turn washerless ceramic disc valve cartridges. Diverter controls water flow between douche spray and flushing rim. Douche spray has built-in spray height adjustment. 20" (500mm) long flexible stainless steel drain cable is pre-assembled to lift rod assembly. Metal Speed Connect™ drain body with 1-1/4" (32mm) tail piece.

PRODUCT FEATURES:

Brass Construction: Durable - Excellent in high use applications. Ideal for prolonged contact with water. Provides the finest surface for application of all colors and finishes.

Ceramic Disc Valve Cartridges: Assures a lifetime of smooth handle operation and drip-free performance.

Exclusive Speed Connect Metal Drain:

- Fewer Parts - installs in less time.
- No adjustments required - seals the first time, every time.
- Flexible stainless steel cable - installs effortlessly in tight spaces.

Choice of Finishes: Available in Polished Chrome and Satin Nickel (PVD).

SUGGESTED SPECIFICATION:


Two handle deck-mount bidet fitting with matching pop-up drain shall feature solid brass construction. Shall also feature 1/4 turn ceramic disc valve cartridges. Shall also feature a metal drain body with stainless steel cable actuation. Fitting shall be American Standard Model # 2064.4___.

CODES AND STANDARDS

These products meet or exceed the following codes and standards:

- ANSI A117.1**
- ASME A112.18.1**
- CSA B 125**
- ASSE 1001 - 2064.401 only**

Product Number	Description	Finish Options*	
		Polished Chrome	PVD Satin Nickel
		002	295
2064.401	Fixture-mounted bidet fitting. Vacuum breaker. Metal Speed Connect™ pop-up drain. Metal Lever handles.		
2064.400	Fixture-mounted bidet fitting. Less vacuum breaker. Metal Speed Connect™ pop-up drain. Metal Lever handles.		

 Meets the American Disabilities Act Guidelines and **ANSI A117.1** Requirements for the physically challenged.

***EverClean™ Finish:**

- Offered on Polished Chrome (002) and Satin Nickel (295) finishes.
- One wipe effortlessly removes spots.
- Eliminates the need for cleaners and scrubbing.