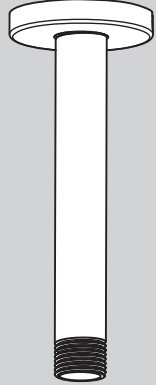


INSTRUCTIONS FOR MODELS


S-2580



NEED HELP?

For additional assistance or service please contact:

SPEAKMAN® Company
400 Anchor Mill Road
New Castle, DE 19720

 800-537-2107

 customerservice@speakman.com

 www.speakman.com

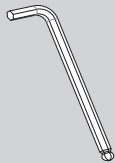
92-S-2580-01

TOOLS AND SUPPLIES

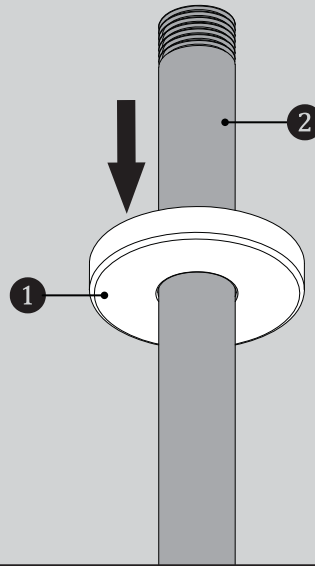
Thread Seal
Tape



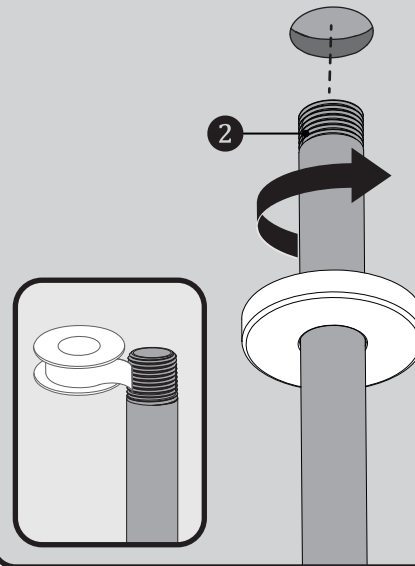
Hex Key Wrench
(INCLUDED)



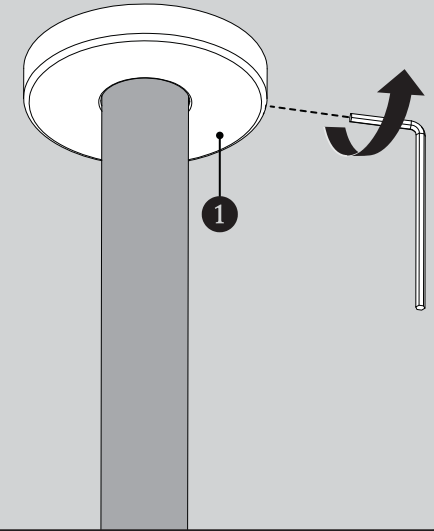
1 Slide the Escutcheon Plate **1** over the Shower Arm **2** as shown below.



2 Apply Thread Seal Tape to inlet side of Shower Arm **2**. Thread Shower Arm into Female Pipe Fitting within the ceiling. Firmly tighten.



3 Position Escutcheon Plate **1** flat against the ceiling. Secure Set Screw with Included Hex Key Wrench.



IMPORTANT

Be sure to read instructions thoroughly before beginning installation. Do not overtighten any connections or damage may occur.

SAFETY TIPS

Cover your drain to prevent loss of parts.

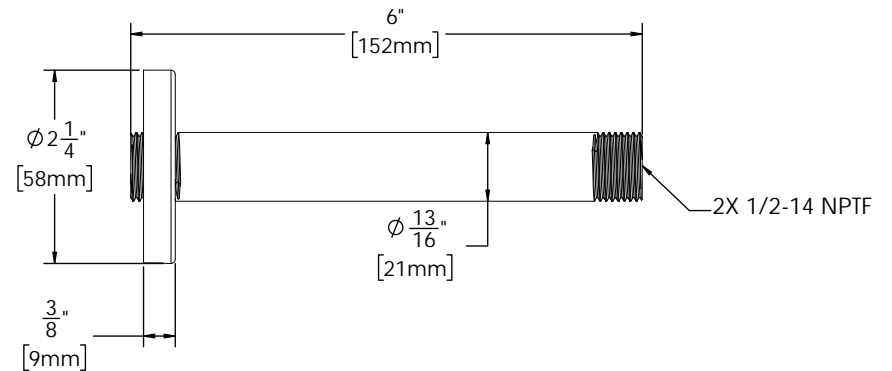
MAINTENANCE

Your new Shower Arm is designed for years of trouble-free performance. Keep it looking new by cleaning it periodically with a soft cloth. Avoid abrasive cleaners, steel wool and harsh chemicals as these will dull the finish and void your warranty.

WARRANTY

Additional warranty information can be found at: www.speakman.com

S-2580 ROUGH IN DIAGRAM



Specifications:

Supply Inlet: 1/2" NPT MALE

Outlet: 1/2" NPT MALE

Note: Dimensions are subject to change without notice

The supply fittings behind the wall shall be properly secured and anchored to support the shower arm and any attachments added.