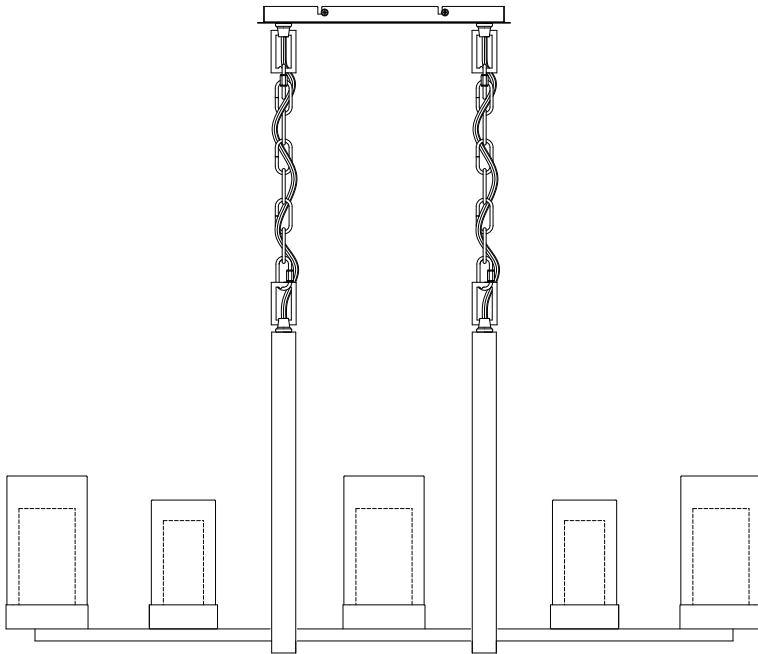


USE AND CARE GUIDE

8-LIGHT RECTANGULAR CHANDELIER



Questions, problems, missing parts? Before returning to the store,
call Home Decorators Collection Customer Service
8 a.m. - 7 p.m., EST, Monday – Friday, 9 a.m. - 6 p.m., EST, Saturday

1-800-986-3460

WWW.HOMEDEPOT.COM/HOMEDECORATORS

THANK YOU




We appreciate the trust and confidence you have placed in Home Decorators Collection through the purchase of this 8-light rectangular chandelier. We strive to continually create quality products designed to enhance your home. Visit us online to see our full line of products available for your home improvement needs. Thank you for choosing Home Decorators Collection!

Table of Contents

Table of Contents.....	2	Hardware Included.....	3
Safety Information.....	2	Package Contents.....	4
Warranty.....	2	Installation.....	5
Pre-Installation.....	3	FCC Statement.....	8
Planning Installation	3	Care & Cleaning.....	8
Tools Required.....	3	Troubleshooting.....	8

Safety Information

- Read all instructions before assembling and installing.
- Consult a qualified electrician for installation of this fixture.
- If you have any non-electrical questions about this fixture, please contact our Customer Service Team at 1-800-986-3460 or visit www.homedepot.com/homedecorators.
- Please reference SKU xxxx xxx xxx or (UPC 773546292832).
- Keep your receipt and these instructions for proof of purchase.

	CAUTION: Before starting installation of this fixture or removal of a previous fixture, disconnect the power by turning off the circuit breaker or by removing the fuse at the fuse box.
	IMPORTANT: Do not install this lighting system in a wet location.
	IMPORTANT: Inspect the wire insulation for any cuts, abrasions, or exposed copper that may have occurred during shipping. If there is a defect in the wire, do not continue the assembly process. Please call our Customer Service Team at 1-800-986-3460.

Warranty

LIMITED WARRANTY

WHAT IS COVERED

The manufacturer warrants this lighting fixture to be free from defects in materials and workmanship for a period of five (5) years from date of purchase. This warranty applies only to the original consumer purchaser and only to products used in normal use and service. If this product is found to be defective, the manufacturer's only obligation, and your exclusive remedy, is the repair or replacement of the product at the manufacturer's discretion, provided that the product has not been damaged through misuse, abuse, accident, modification, alteration, neglect, or mishandling.

WHAT IS NOT COVERED

This warranty shall not apply to any product that is found to have been improperly installed, set-up, or used in any way not in accordance with the instructions supplied with the product. This warranty shall not apply to a failure of the product as a result of an accident, misuse, abuse, negligence, alteration, faulty installation, or any other failure not relating to faulty material or workmanship. This warranty shall not apply to the finish on any portion of the product, such as surface and/or weathering, as this is considered normal wear and tear. The manufacturer does not warrant and specially disclaims any warranty, whether express or implied, of fitness for a particular purpose, other than the warranty contained herein. The manufacturer specifically disclaims any liability and shall not be liable for any consequential or incidental loss or damage, including but not limited to any labor/expense costs involved in the replacement or repair of said product.

Contact Customer Care at 1-800-986-3460 or visit www.homedepot.com/homedecorators.

Pre-Installation

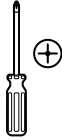
PLANNING INSTALLATION

Read all instructions before assembly and installation. To avoid damaging this product, assemble it on a soft, non-abrasive surface, such as carpet or cardboard. Inspect each part for defects that may have occurred during shipping. Keep your receipt and these instructions for proof of purchase.

TOOLS REQUIRED



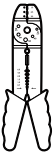
Safety goggles



Phillips screwdriver



Flathead screwdriver



Wire strippers



Wire cutters



Ladder

HARDWARE INCLUDED



NOTE: Hardware not shown to actual size.



AA



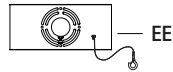
BB



CC



DD



EE



FF



GG



HH



II

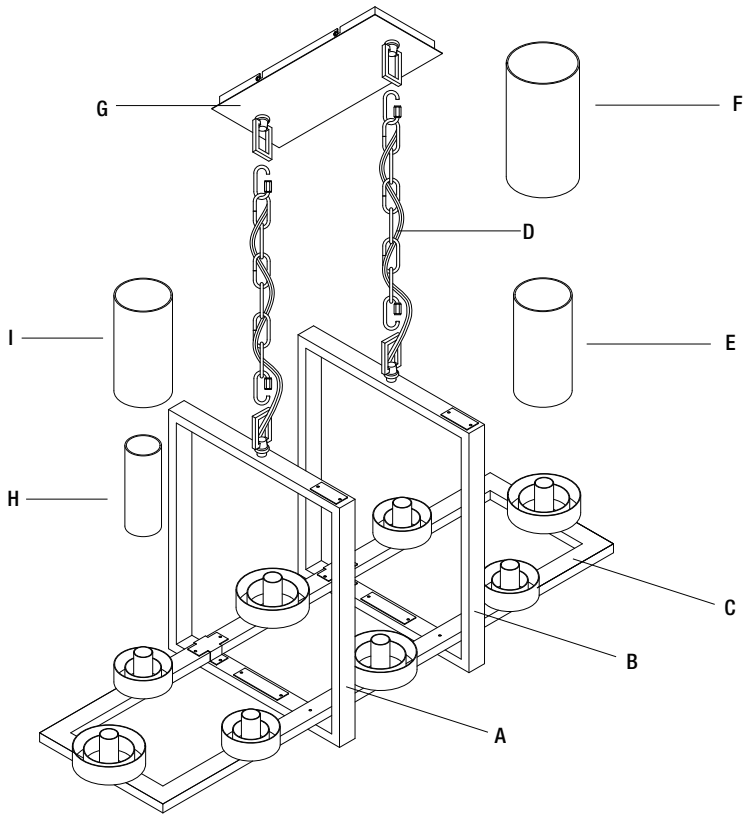


JJ

Part	Description	Quantity
AA	Wire nut	3
BB	Outlet box screw	2
CC	Ground screw	1
DD	Mounting screw	4
EE	Universal crossbar	1
FF	Cover plate	2
GG	Round head screw	4
HH	Flat head screw	4
II	Long flat head screw	2
JJ	Chain link	4

Pre-Installation (continued)

PACKAGE CONTENTS

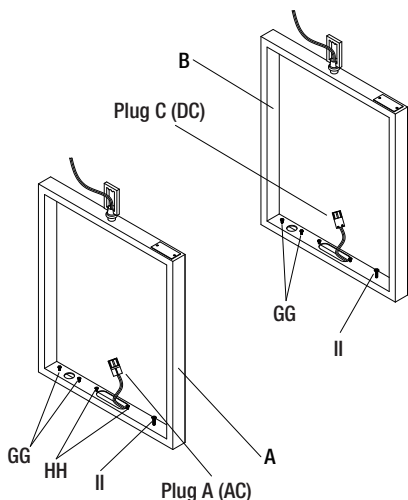


Part	Description	Quantity
A	Fixture body A	1
B	Fixture body B	1
C	Fixture body C	1
D	Fixture chain	2
E	Inner glass A (Ø70 x H150 mm)	4
F	Outer glass A (Ø100 x H190 mm)	4
G	Canopy	1
H	Inner glass B (Ø50 x H135 mm)	4
I	Outer glass B (Ø80 x H160 mm)	4

Installation

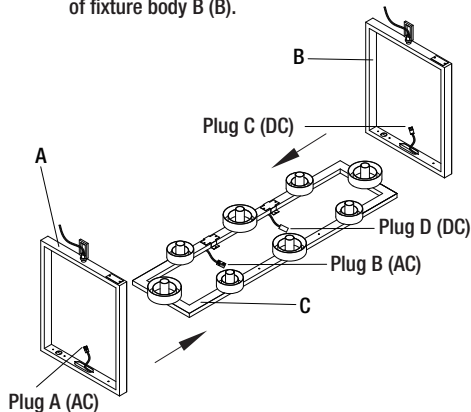
1 Unscrewing all the screws

- Loosen all screws (GG, HH, II) on fixture body A (A) and fixture body B (B).



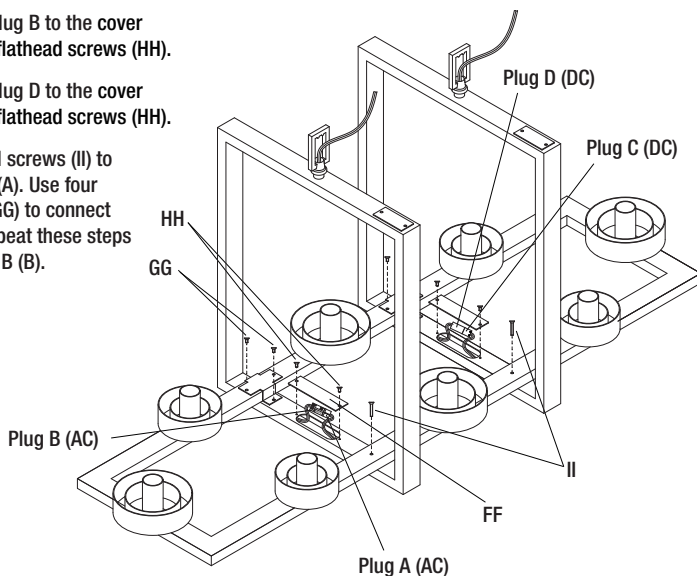
2 Installing the fixture bodies

- Place fixture body A (A) and fixture body B (B) into position as designated by fixture body C (C).
- Insert plug B through the hole in the side of fixture body A (A).
- Insert plug D through the hole in the side of fixture body B (B).



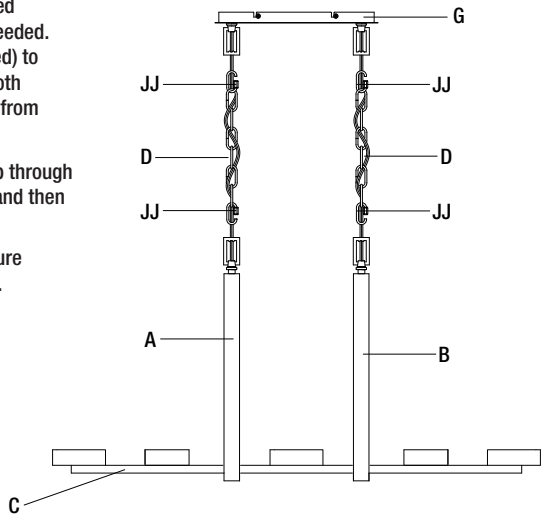
3 Combining fixture bodies

- Connect plug A and plug B to the cover plate (FF), using two flathead screws (HH).
- Connect plug C and plug D to the cover plate (FF), using two flathead screws (HH).
- Use two long flathead screws (II) to install fixture body A (A). Use four round head screws (GG) to connect fixture body A (A). Repeat these steps to install fixture body B (B).



4 Attaching the fixture chain

- Adjust the fixture chain (D) to the desired length by removing the extra links, if needed. You may need to use pliers (not included) to open the chain links (JJ). If so, put a cloth over the chain link to protect the finish from the pliers.
- Pull the fixture wire and ground wire up through the fixture chain (D), alternating links (JJ), and then pass the wires through the canopy (G).
- Connect the fixture chain (D) to the fixture canopy loop, using the chain links (JJ).

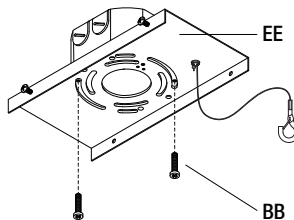


5 Installing the universal crossbar



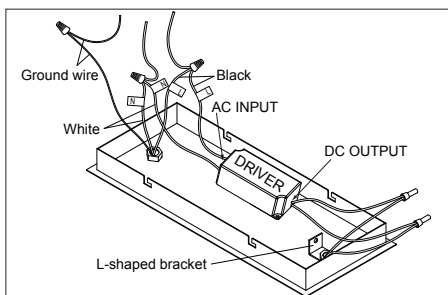
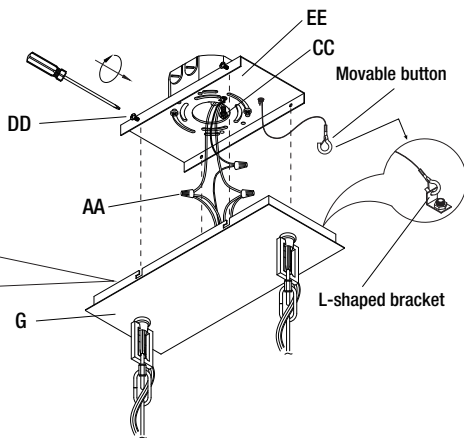
WARNING: Turn off power at the main fuse box.

- Secure the universal crossbar (EE) to the outlet box with the outlet box screws (BB).



6 Installing the canopy

- Fasten the movable button to the L-shaped bracket.
- Attach the canopy (G) to the universal crossbar (EE), and secure it with the mounting screws (DD).
- Fasten the open end of the ground wire (bare copper or green wire) to the ground wire from the junction box.

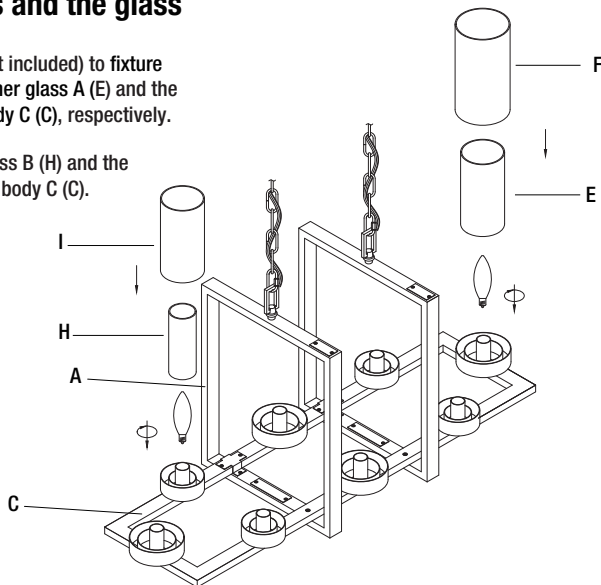


- Connect the fixture wires as follows:

WHITE WIRE	WIRE WITH WHITE HEAT SHRINK TUBE
FROM HOUSE	FROM FIXTURE AND WHITE WIRE OF LED DRIVER
BLACK WIRE	WIRE WITH BLACK HEAT SHRINK TUBE
FROM HOUSE	FROM FIXTURE AND BLACK WIRE OF LED DRIVER
GROUND WIRE	GROUND WIRE
FROM HOUSE	FROM CANOPY

7 Installing the bulbs and the glass

- Install the B10 60W bulbs (not included) to fixture body C (C), then install the inner glass A (E) and the outer glass A (F) to fixture body C (C), respectively.
- Repeat to install the inner glass B (H) and the outer glass B (I) to the fixture body C (C).



FCC Statement



WARNING: Changes or modifications to this unit not expressly approved by the party responsible for compliance could void the user's authority to operate the equipment.

NOTE: This equipment has been tested and found to comply with the limits for a Class B digital device, pursuant to Part 15 of the FCC Rules. These limits are designed to provide reasonable protection against harmful interference in a residential installation. This equipment generates, uses and can radiate radio frequency energy and, if not installed and used in accordance with the instructions, may cause harmful interference to radio communications. However, there is no guarantee that interference will not occur in a particular installation. If this equipment does cause harmful interference to radio or television reception, which can be determined by turning the equipment off and on, the user is encouraged to try to correct the interference by one or more of the following measures:

- Reorient or relocate the receiving antenna.
- Increase the separation between the equipment and receiver.
- Connect the equipment into an outlet on a circuit different from that to which the receiver is connected.
- Consult the dealer or an experienced radio/ TV technician for help.

Care and Cleaning

- Clean the light fixture carefully with a soft, dry cloth. Do not use any cleaners with chemicals, solvents, or harsh abrasives.

Troubleshooting

Problem	Possible Cause	Solution
<input type="checkbox"/> The bulb will not light.	<input type="checkbox"/> The bulb is burned out.	<input type="checkbox"/> Replace the light bulb.
	<input type="checkbox"/> The power is off.	<input type="checkbox"/> Ensure that the power supply is turned on.
	<input type="checkbox"/> The circuit breaker is off.	<input type="checkbox"/> Ensure that the circuit breaker is set to the ON position.
<input type="checkbox"/> The fuse blows or the circuit breaker trips when the light is turned on.	<input type="checkbox"/> There are too many items on one circuit.	<input type="checkbox"/> Unplug the other items on the circuit. <input type="checkbox"/> Contact a qualified electrician or call the Customer Service Team at 1-800-986-3460.

HOME DECORATORS COLLECTION

Questions, problems, missing parts? Before returning to the store,
call Home Decorators Collection Customer Service
8 a.m. - 7 p.m., EST, Monday – Friday, 9 a.m. - 6 p.m., EST, Saturday

1-800-986-3460

WWW.HOMEDEPOT.COM/HOMEDECORATORS

Retain this manual for future use.