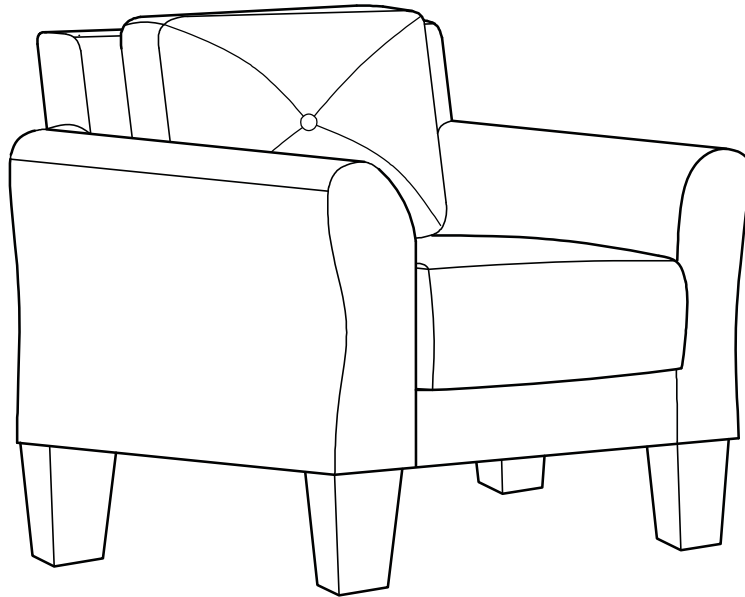




LIFESTYLE
S O L U T I O N S

HARTFORD CHAIR

ASSEMBLY INSTRUCTIONS



DO NOT RETURN PRODUCT TO THE STORE

individual stores do not stock parts.

If a part is missing or damaged, call our toll - free customer service line.

Need parts or assistance?

Please call :

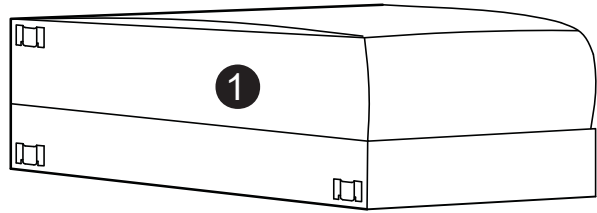
866-626-7826

For prompt, reliable service; please have your assembly manual ready.

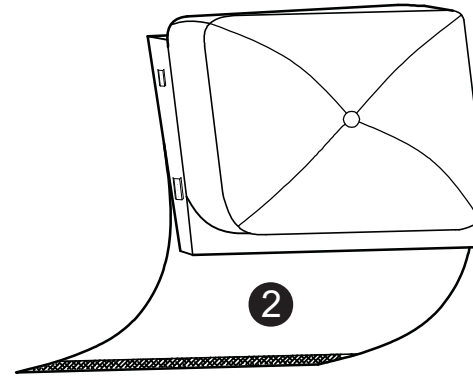
WARNING

- This product has been designed for seating one (1) average adult. To prevent injury and damage to this unit, PROHIBIT jumping on it.
- This product is designed for home use and not intended for commercial use.
- Children under the age of 5, small infants and babies should not sleep alone on this product for safety reasons.
- Recommended # of people needed for handling: 2 (however it is always better to have an extra hand.)
- THIS INSTRUCTION BOOKLET CONTAINS **IMPORTANT** SAFETY INFORMATION. PLEASE READ AND KEEP FOR FUTURE REFERENCE.

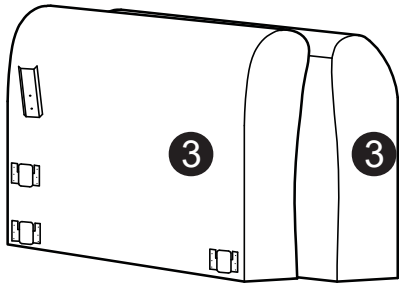
PARTS



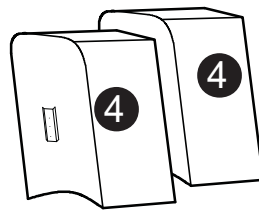
Seat Body
QTY:1



Backrest
QTY:1



Arm
QTY:1 Pair



Backrest Ear Piece
QTY:1Pair

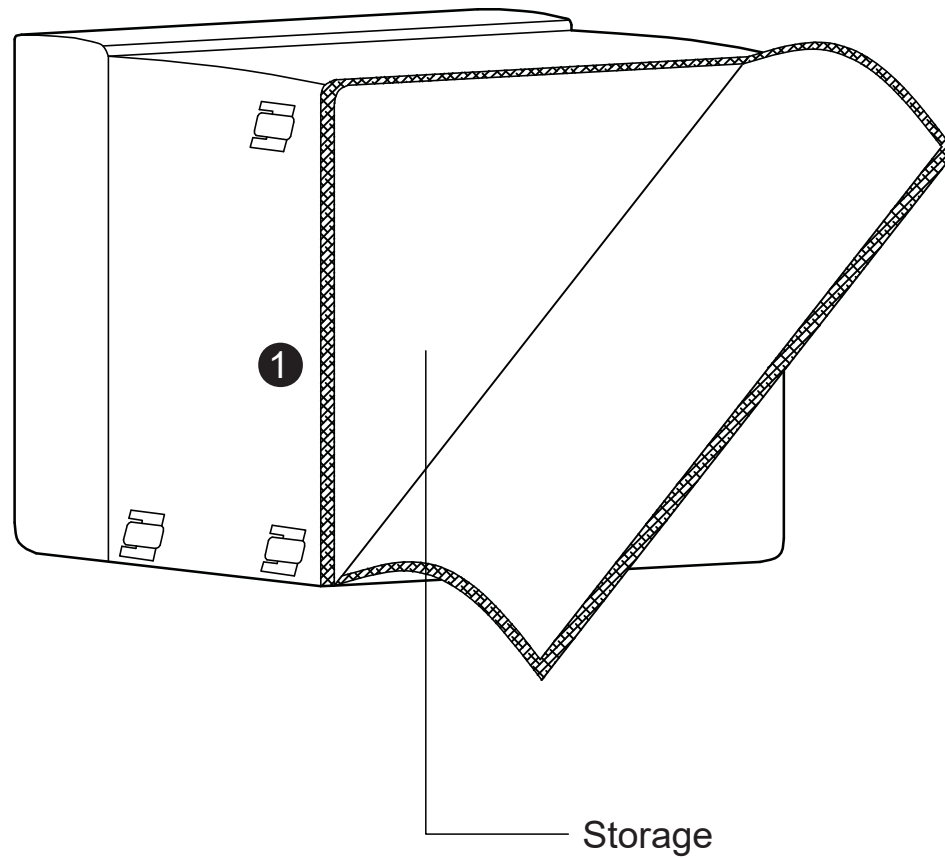


Leg
QTY:4

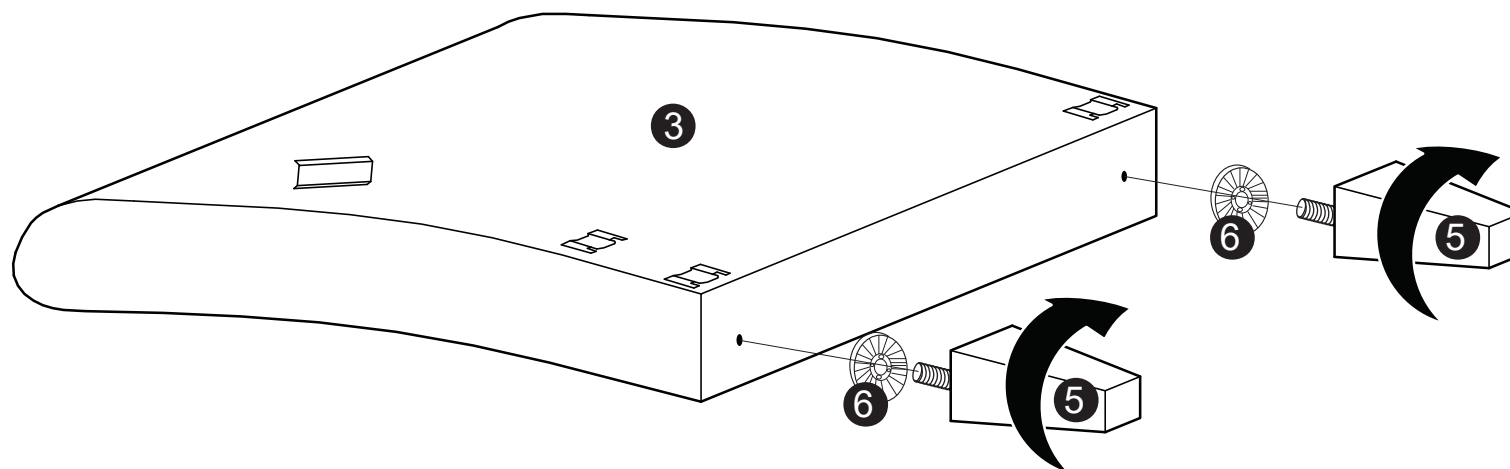
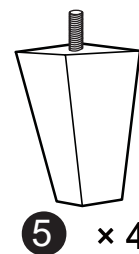


M10 Washer
(Outer Dim:45mm)
QTY:4

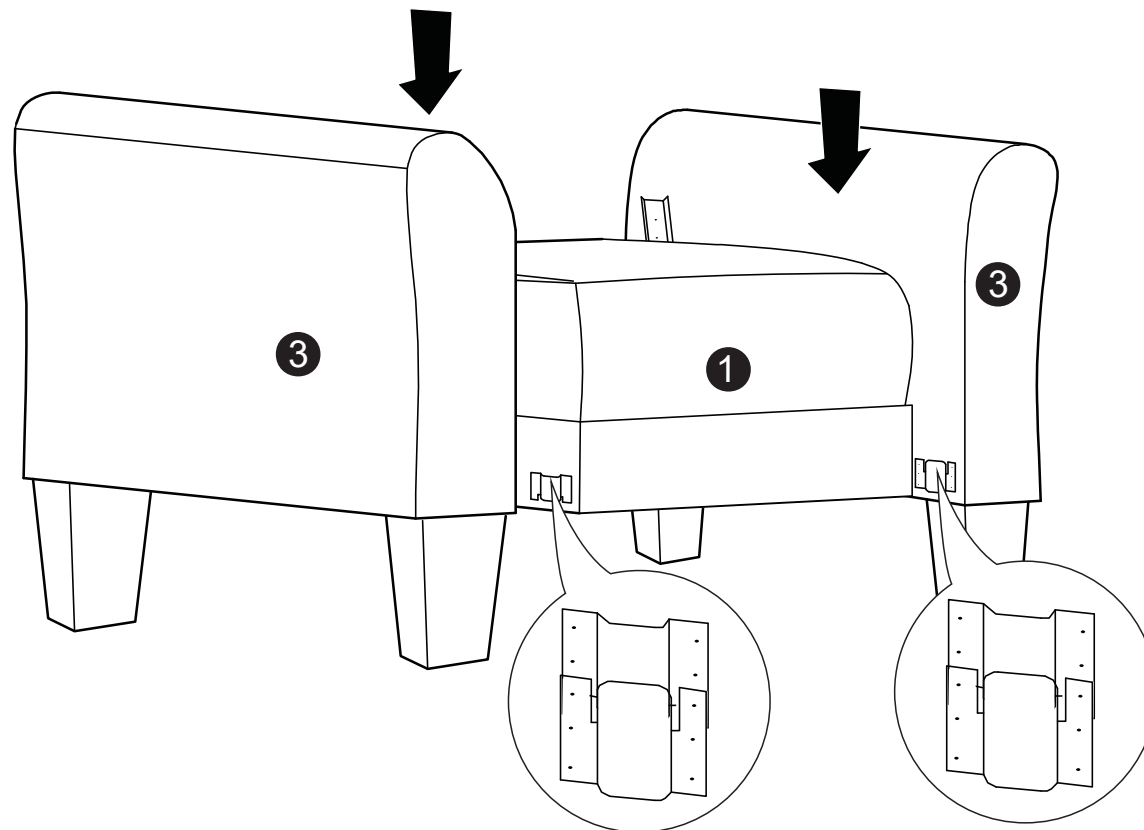
Step 1 :



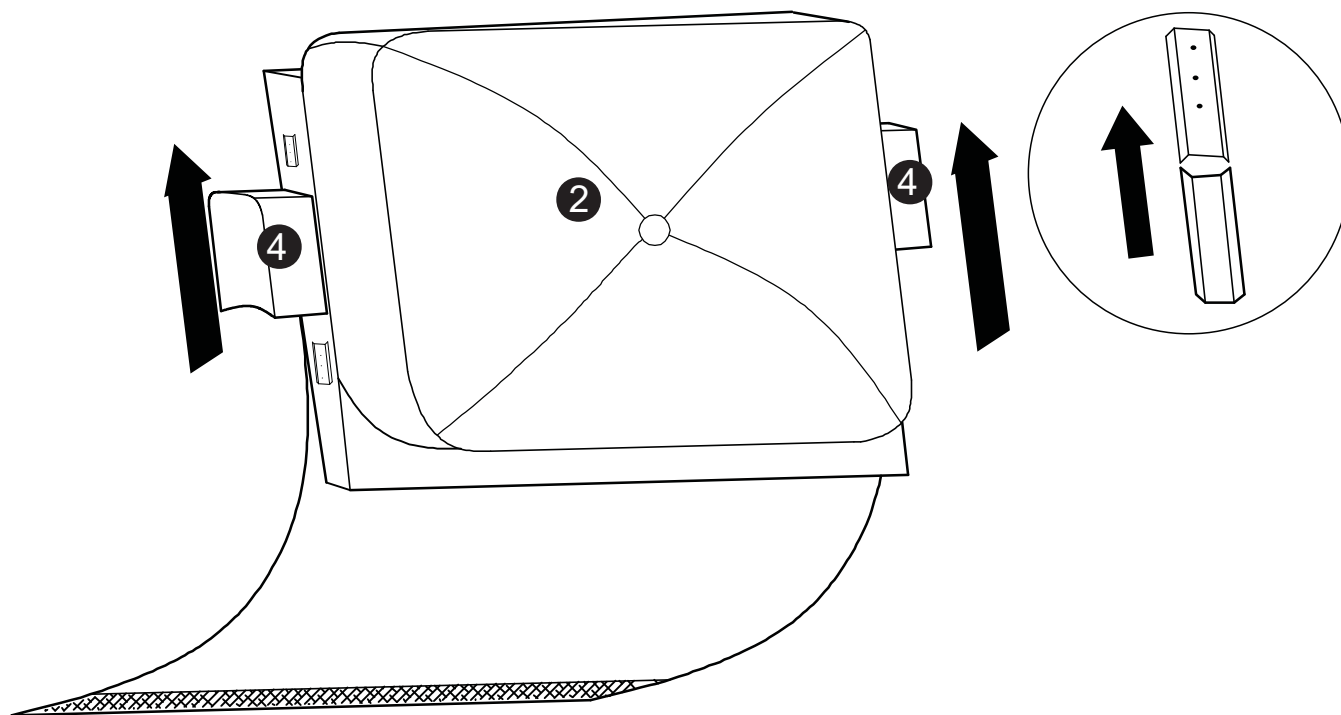
Step 2 :



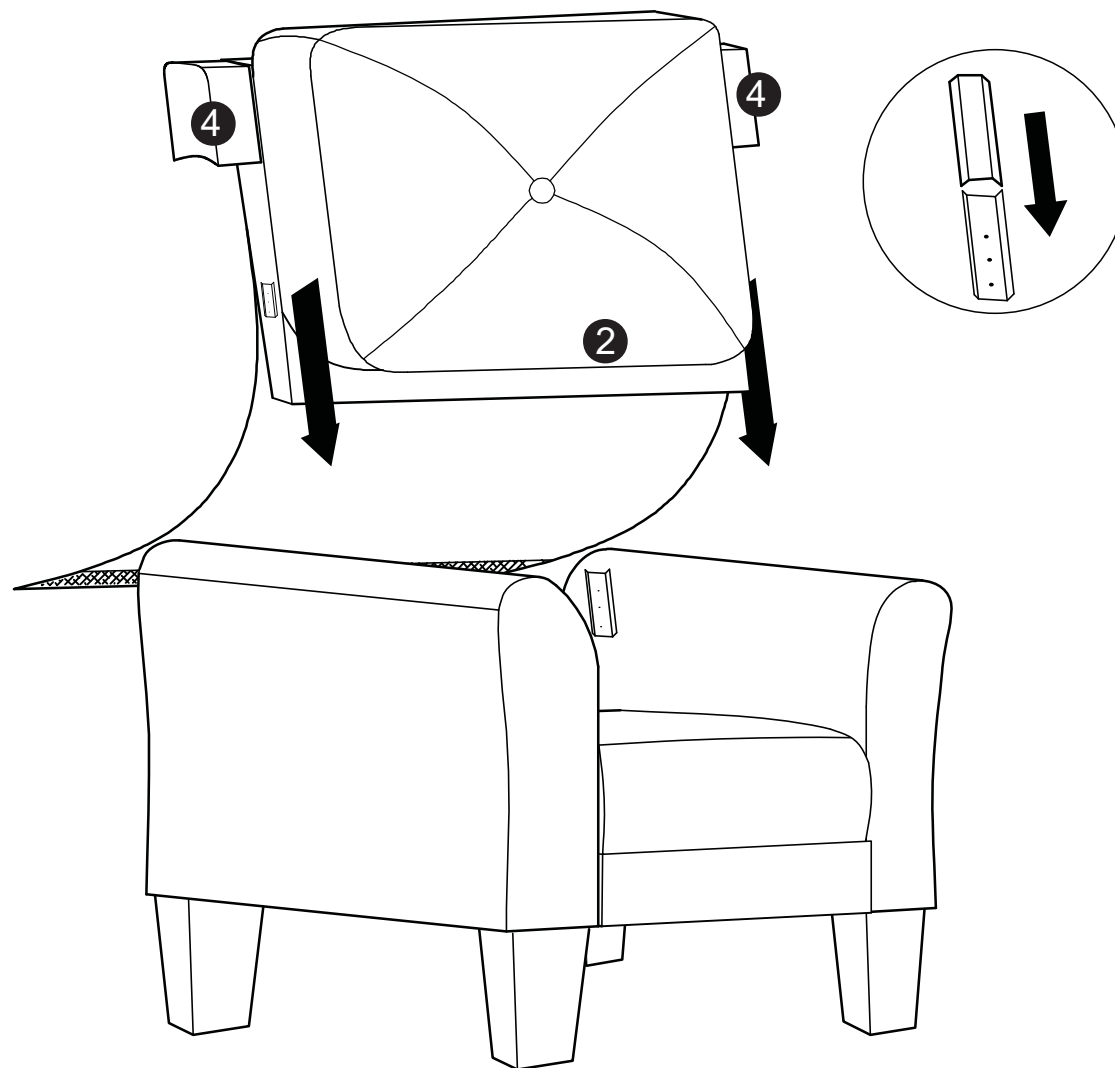
Step 3 :



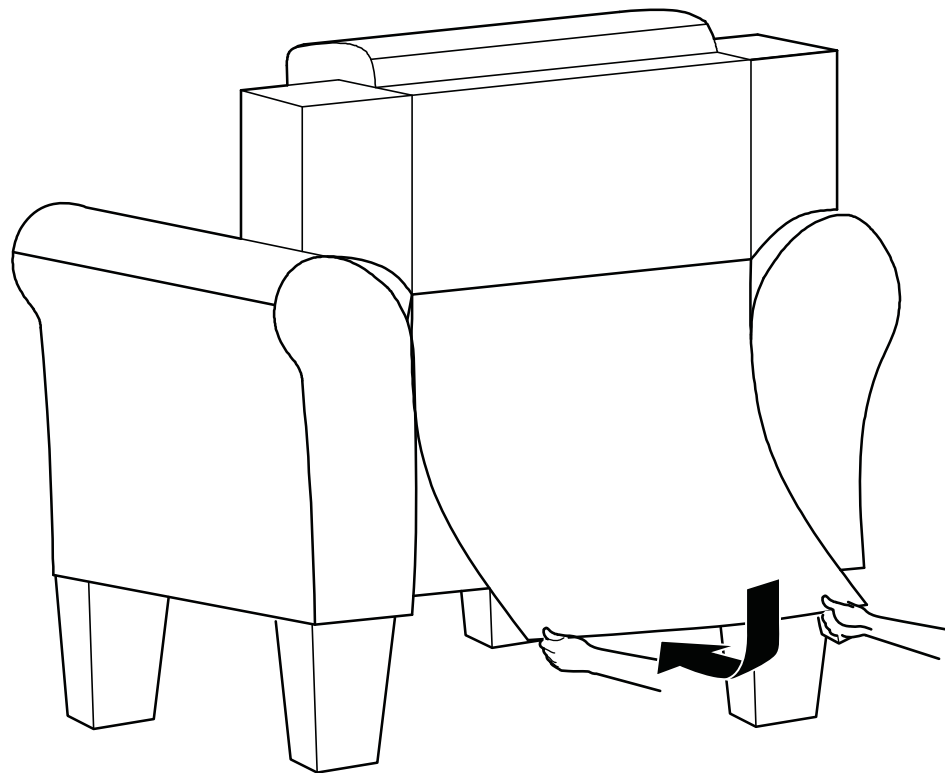
Step 4 :



Step 5:



Step 6 :



INSTALLATION COMPLETE :

