






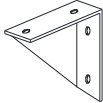









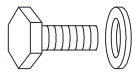
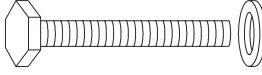
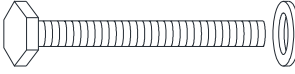
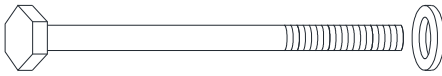
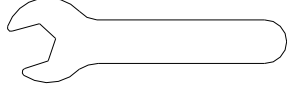



Parts List

Label	Picture	Description	QTY
A		Outer Crossbar	2
B		Outer Crossbar	2
C		Center Crossbar	2
D		Center Crossbar	2
E		Crossbar	2
F		Crossbar	2
G		Main Pillar	4
H		Brace	4
I		Pull Tube	2
J		Pull Tube	2
K		Supporting Fabric Tube	8

L		Supporting Fabric Tube	4
M		Pressing Fabric Tube	4
N		Pressing Fabric Tube	2
O		Base Plate	4
P		Canopy	2
Q		Canopy	1

Hardware

Label	Picture	Description	QTY
①		Bolt/Washer (M6*15)	54
②		Bolt/Washer (M6*42)	5
③		Bolt/Washer (M6*50)	5
④		Bolt/Washer (M6*72)	5
⑤		Wrench	1
⑥		Stake	8

Assembly Preparation