



Foundations[®] Toilet C41913▲

STANDARD SPECIFICATIONS:

- Vitreous China
- 27 1/16" (687 mm) in length, 17 1/2" (445 mm) in width, 30 13/16" (783 mm) in height.
- Round front bowl with chair height design 16 1/2" (419 mm) to top of the bowl.
- 12" (305 mm) rough-in.
- High efficiency 1.28 gpf (4.8 lpf).
- 3" (76 mm) flush valve.
- 2" (51 mm) fully glazed trapway.
- Includes polished chrome trip lever.

WARRANTY

- Chinaware parts warranted to original consumer purchaser for as long as the original consumer purchaser owns the home in which the toilet was first installed.
- 1 year warranty on mechanical components, fill valve, flush valve, flush lever handle, and mounting bolts will apply.
- The toilet seat & lid will have a 1 year warranty.



COMPLIES WITH

- ADA / ANSI A117.1
- ASME A112.19.2 / CSA B45.1
- ASME A112.19.5
- EPA WaterSense[®] High Efficiency Toilet
- CalGreen

| Technical Information | |
|----------------------------------|--|
| Fixture configuration | Two-piece, round bowl |
| Water per flush | 1.28 gpf (4.8 lpf) |
| Passageway | 2" (51 mm) |
| Water area | 8 31/32" X 6 21/32" (228 mm x 169 mm) |
| Seat post hole centers | 5 1/2" (140 mm) |
| Included Components: | |
| Bowl | C21913▲ |
| Tank Assembly | RP81873▲ |
| Tank Cover | RP82448▲ |
| Trip Lever | RP82450▲ |
| Mounting Hardware – Tank to bowl | RP82451 |
| Seat Assembly | RP92085▲ |

▲ Designate proper finish suffix (-WH for white)

Installation Notes

- Install this product according to the installation guide.
- This model complies with the American Disabilities Act (ADA) when installed per the requirements of the Accessibility Guidelines, Section 604 Water Closets, of the Act, which includes the installation of an open front seat (not included).
- This model complies with CSA B651 when installed per Clause 4.3.6 of the standard.



55 E. 111th Street, Indianapolis, Indiana 46280
 350 South Edgeware Road, St. Thomas, Ontario Canada N5P 4L1
 © 2017 Masco Corporation of Indiana
 USA / Canada: 1-855-345-1345
 www.deltatoilet.com

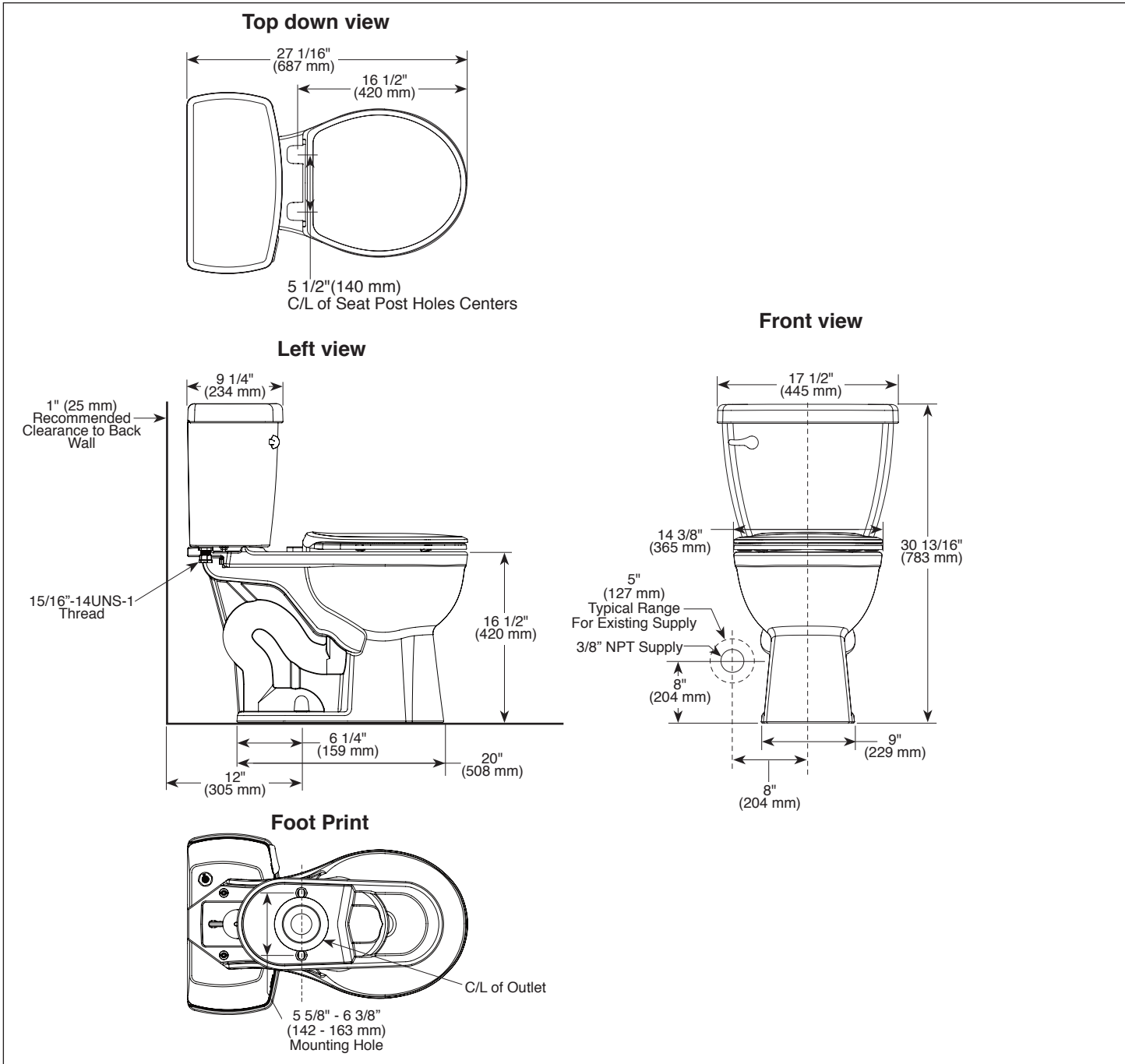


Foundations[®] Toilet C41913▲



Submitted Model No.:

Specific Features:



▲ Designate proper finish suffix (-WH for white)

Delta reserves the right (1) to make changes in specifications and materials, and (2) to change or discontinue models, both without notice or obligation. Dimensions are for reference only. See full-line pricebook or www.deltatoilet.com for finish options and product availability.