

MOJAVE



PULSE

SHOWERSPAS

Mojave Showerspa
Model #1016
Owner's Manual



Mojave ShowerSpa Model #1016

Please Read The Following Instructions **COMPLETELY** Before Beginning!

Our goal is to ensure your installation goes smoothly and safely. Please read these instructions carefully and follow recommendations for plumbing and mounting. **After reading instructions, if you determine you do not have the necessary skills and/or tools, we recommend that a licensed plumbing contractor complete the installation.**

***If you encounter any problems during installation
CALL TECHNICAL SUPPORT
TOLL FREE at 888-785-7320
Before returning your ShowerSpa to the store***

You Will Need The Following Tools

Soft pencil or felt pen to mark tile

4mm & 5mm allen wrench

Safety glasses

Tape measure

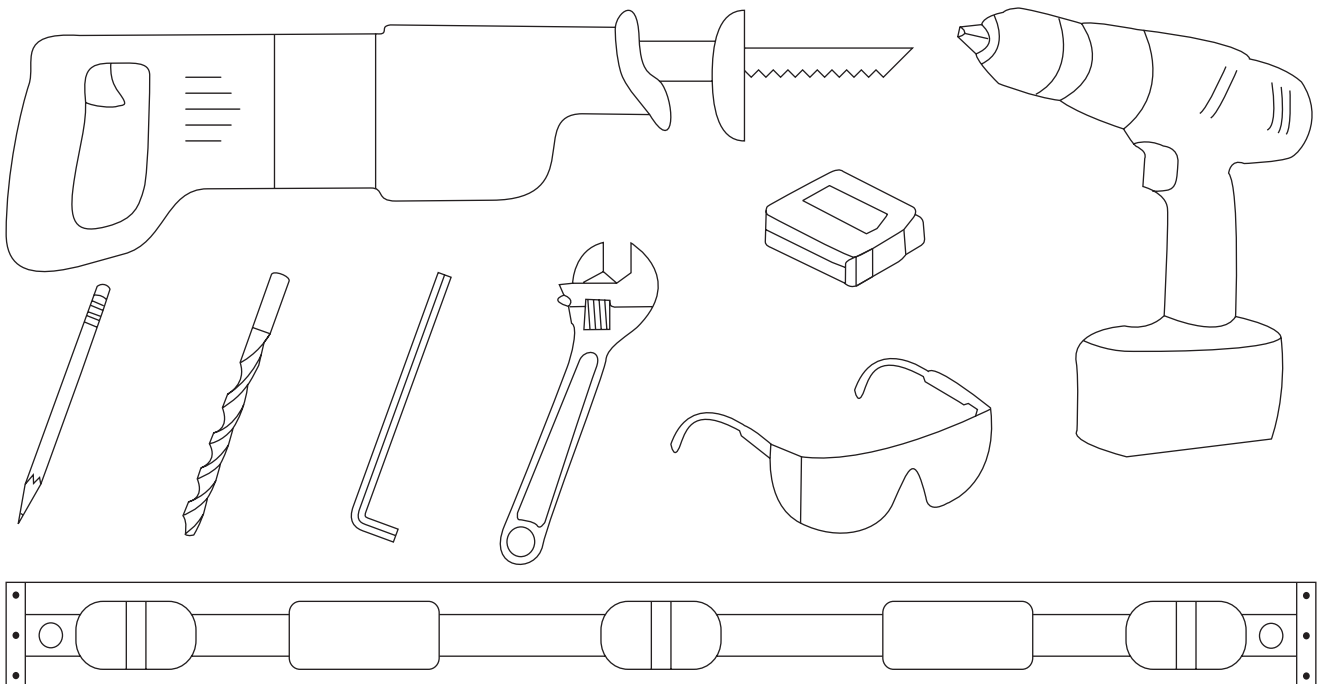
Level

Reciprocating saw w/ metal cutting blade (Sawzall®)

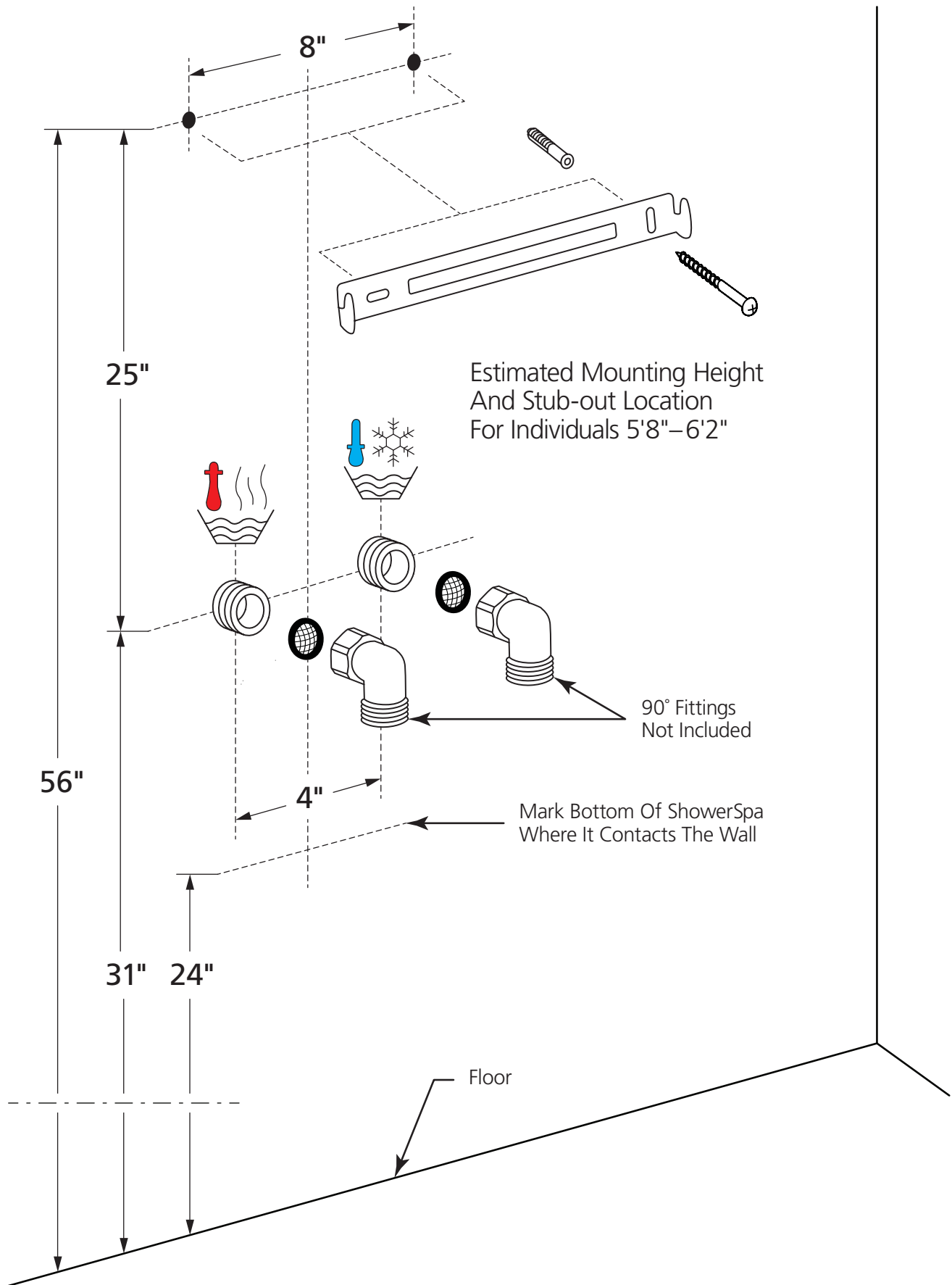
Channel locks or adjustable wrench

Drill (preferably cordless)

¼" Masonry drill bit

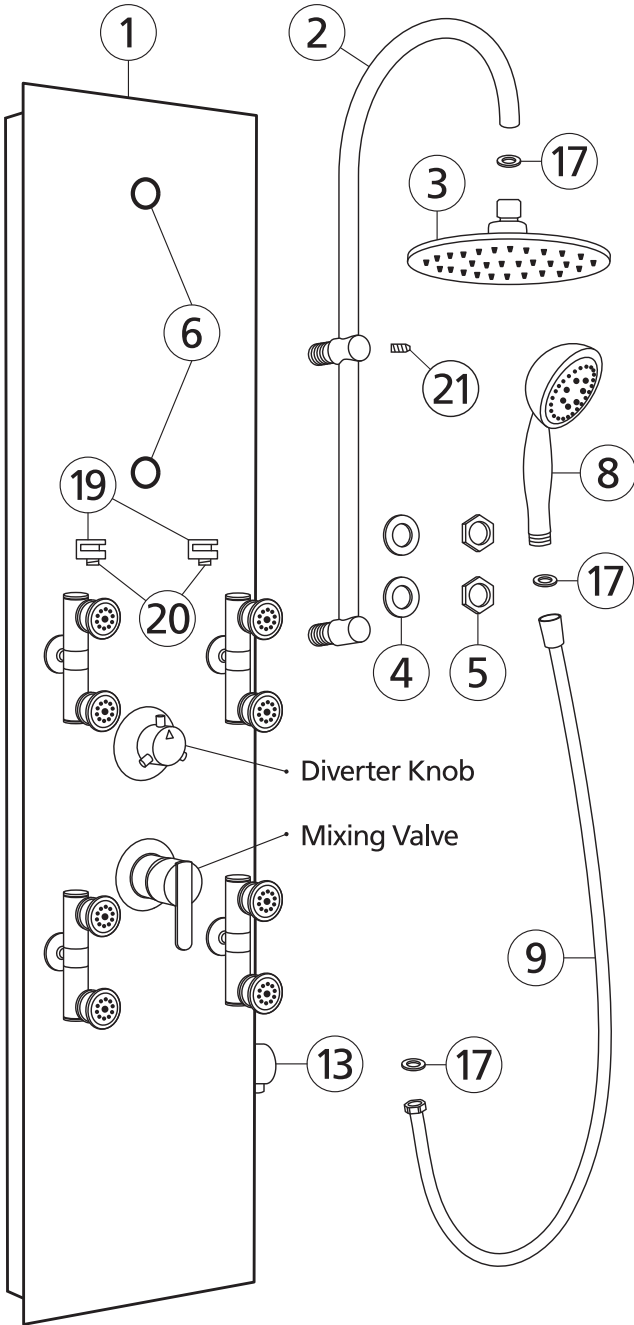


Mounting Bracket & Stub-out Location



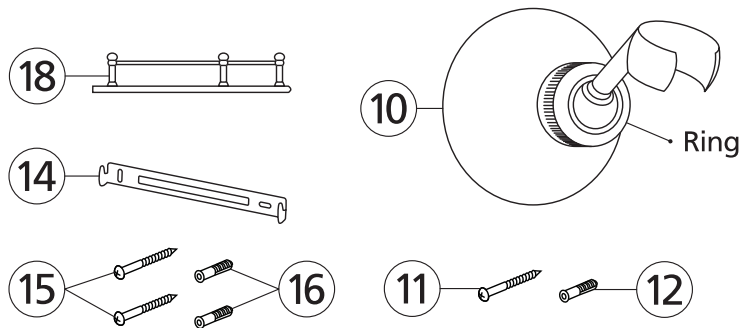
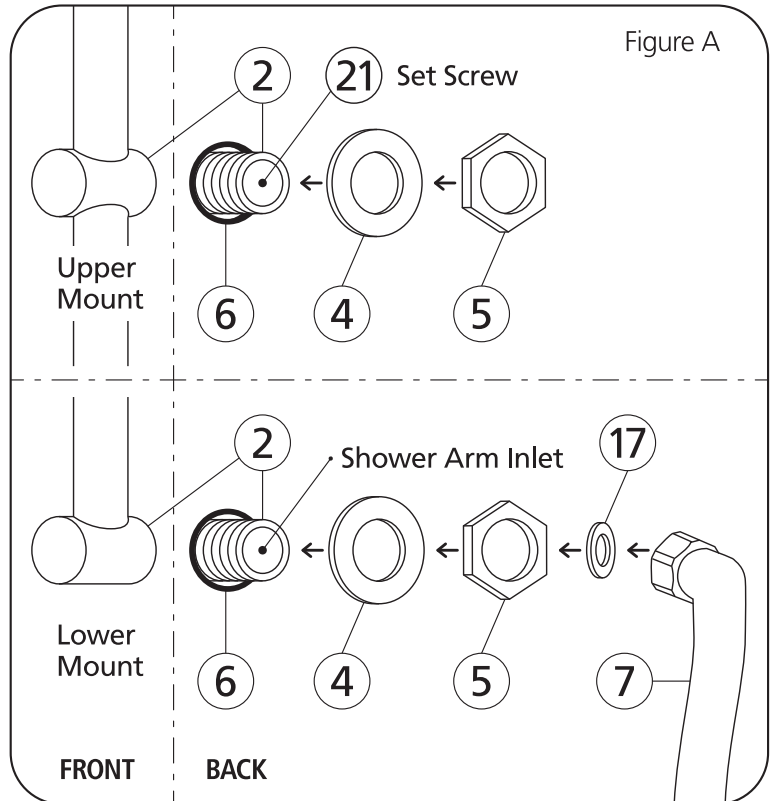
Parts Legend

- | | | |
|--------------------------------|------------------------|-------------------------------|
| 1. ShowerSpa | 8. Hand Shower | 15. Mounting Screw B..... (2) |
| 2. Shower Arm | 9. Hand Shower Hose | 16. Nylon Anchor B (2) |
| 3. Shower Head | 10. Hand Shower Holder | 17. Rubber Washer..... (4) |
| 4. Large Rubber Washer ... (2) | 11. Mounting Screw A | 18. Glass Shelf |
| 5. Brass Nut..... (2) | 12. Nylon Anchor A | 19. Shelf Mount..... (2) |
| 6. Shower Arm Outlet | 13. Hand Shower Outlet | 20. Shelf Set Screw (2) |
| 7. Shower Arm Supply Line | 14. Mount Bracket | 21. Set Screw |



SHOWER ARM INSTALLATION

Figure A



Assembly

After Unpacking Your ShowerSpa, Some Assembly Is Required Prior To Installation

Shower Arm Assembly *Figure A*

1. Before installing the shower arm (2) you need to align the mounts to the shower arm outlets (6). Loosen set screw (21) inside the top mount of the shower arm (2) with a 4mm allen wrench. Position so both mounts line up with the two shower arm outlets (6) on the front of the ShowerSpa. Gently tighten the set screw (21) inside the top mount—DO NOT OVERTIGHTEN.
2. Hold the shower arm (2) in place and put the large rubber washers (4) over the threads on the backside of the ShowerSpa. Tighten securely with brass nuts (5).
3. Insert a rubber washer (17) inside the shower arm supply line (7) and attach to the lower mount of the shower arm (2).

Glass Shelf Assembly

1. Place the glass shelf (18) into the shelf mounts (19). If the shelf won't go in, you may need to first loosen the set screws (20).
2. When shelf is fully inserted use a 5mm allen wrench to tighten the set screws—DO NOT OVERTIGHTEN.

After The ShowerSpa Is Mounted To The Wall

Hand Shower Holder Assembly

1. Unscrew ring (retaining all parts) on the hand shower holder (10) to expose the mounting hole.
2. Locate the desired mounting location of the hand shower holder (10) and mark hole on wall.
3. Drill a ¼" hole through wall surface using a masonry bit. Drill slowly through wall surface to avoid cracking and chipping.
4. Insert nylon anchor A (12) into hole in wall and securely tighten hand shower holder (10) to wall with mounting screw A (11).
5. Reattach the ring and all parts.

Connect The Hand Shower and Shower Head

1. Insert a rubber washer (17) into the hex end of the hand shower hose (9), and attach to the hand shower outlet (13).
2. Insert a rubber washer (17) into the tapered end of the hand shower hose (9) and attach to the hand shower (7). Place the tapered end of the hose into the hand shower holder (10).
3. Insert a rubber washer (17) inside the threaded nut on top of the shower head (2) and attach to the shower arm (3).

Installation

New Construction or Extensive Remodel—New Finished Wall Surface

1. Prior to sheetrock, stub-out ½" hot and cold supply lines beyond finished wall surface, 4" on center. For best results, attach 90° brass fittings (available at most hardware stores) to the stub-outs maintaining ¼"–½" of space between the fitting and finished wall. The open end of the 90° brass fittings should point down so the supply lines attach parallel to the wall.¹
2. The height of the stub-outs is completely dependent upon the desired mounting height of your Mojave ShowerSpa. For a person 5'8"–6'2" we recommend the stub-outs be 31" from finished floor.²
3. Before installation, make certain that water is **COMPLETELY TURNED OFF** to both hot & cold supply lines of shower.
4. Mark location of holes for the mounting bracket, making sure bracket is level. For a person 5'8"–6'2" tall, we recommend placing the holes of the upper bracket at 56" from finished floor height.³

- NOTE**—Before drilling holes for the bracket, make certain ShowerSpa will rest flat against finished wall surface at the desired mounting height with supply lines connected.
5. Drill ¼" holes through wall surface using a masonry bit. Drill slowly through wall surface to avoid cracking and chipping. Insert anchors and securely screw brackets to wall. Before connecting hot and cold supply lines, hang the ShowerSpa on wall, check the height and make sure the ShowerSpa is flush against wall with a secure fit.
 6. Connect hot and cold water supply lines to stub-outs—**DO NOT OVERTIGHTEN**. Before mounting the ShowerSpa, check fittings to make sure they are secure. Turn on water and check for leaks. When fittings are leak-free, mount ShowerSpa on wall.
 7. **OPTIONAL**—Seal around body of ShowerSpa with a bead of silicone. **DO NOT SEAL BOTTOM**.

Retrofit—Existing Shower Replacement

NOTE—In a remodel in which you are not replacing the finished wall surface (tile, or backing material) it is advisable to purchase a PULSE ShowerSpa model that covers the location of your existing valve assembly—either single handle or two-handle type. If your PULSE ShowerSpa model does not cover this area, you will need to either choose another PULSE ShowerSpa model that does or make necessary repairs with appropriate materials (i.e. wallboard, tile, fiberglass, etc).

1. **TURN OFF WATER SUPPLY TO SHOWER**. Typically there is a gate valve where the water main enters the house. Turning the water valve off at hot water tank does not turn off cold water supply line.
2. Make certain water is completely turned off to both hot & cold supply lines of shower. Turn shower valve on, both hot and cold, to **VERIFY WATER SUPPLY IS OFF**. Open a sink faucet in the bathroom in which you are installing the ShowerSpa to relieve any pressure and help adequately drain shower supply lines.
3. Remove handle(s) and trim cover(s) of your existing shower valve, exposing valve body in wall.
4. Locate hot and cold supply lines entering valve. Using a reciprocating saw with sharp metal saw blade, cut existing valve out, preserving threads of the supply lines entering valve. You should also cut the riser within wall supplying the existing shower head. Carefully twist and remove valve.
5. Unscrew old shower head from shower arm, then unscrew shower arm from wall.
6. Water lines must be extended to the outside of wall cavity, 4" on center. For best results, attach 90° brass fittings (available at most hardware stores) to the stub-outs maintaining ¼"–½" of space between the fitting and finished wall. The open end of the 90° brass fittings should point down so the supply lines attach parallel to the wall.¹
7. Make certain that when you connect to the stub-outs they **DO NOT INTERFERE** with the backside of the ShowerSpa after mounting.³
8. Mark location of holes for the mounting bracket, making sure bracket is level. For a person 5'8"–6'2" tall, we recommend placing the holes of the upper bracket at 56" from finished floor height.³ Before drilling holes for bracket, make certain ShowerSpa will rest flat against finished wall surface at the desired mounting height with supply lines connected.
9. Drill ¼" holes through wall surface using a masonry bit. Drill slowly through wall surface to avoid cracking and chipping. Insert anchors and securely screw brackets to wall. Before connecting hot and cold supply lines, hang ShowerSpa on wall, check the height and make sure ShowerSpa is flush against the wall with a secure fit.
10. Connect hot and cold water supply lines to stub-outs—**DO NOT OVERTIGHTEN**. Before mounting the ShowerSpa, check fittings to make sure they are secure. Turn on water and check for leaks. When fittings are leak-free, mount ShowerSpa on wall.
11. **OPTIONAL**—Seal around body of ShowerSpa with a bead of silicone. **DO NOT SEAL BOTTOM**.

¹ Additional fittings or longer supply lines may be necessary depending on your specific situation.

² The desired mounting height of ShowerSpa determines height of the ½" stub-outs. The stub-outs must be located at a height allowing supply lines to be connected and body of ShowerSpa to rest flat against finished wall.

³ The mounting height can vary depending on several factors (i.e. location of supply lines, interference from ShowerSpa plumbing, old valve access area, personal preference, etc.)

Usage

Pressure Balance Mixing Valve

The Mojave ShowerSpa is equipped with a cUPC® pressure balance mixing valve to adjust water flow and temperature. The valve automatically adjusts to changes in water pressure (i.e. someone flushes a toilet), keeping your temperature constant and preventing accidental scalding. To turn on the ShowerSpa simply raise the handle until the desired flow rate is achieved. Rotate to the right to decrease temperature and rotate to the left to increase temperature. Be sure that the handle is in the OFF position when you are done using your ShowerSpa so that pressure does not build up inside the unit.

Brass Diverter

The brass diverter is used to change between ShowerSpa functions. Simply rotate the diverter knob either direction to select the desired function—shower head, hand shower or body jets.

Body Jets

The Mojave ShowerSpa is equipped with four dual-head body jets. Each jet can be adjusted to spray in almost any direction. Spin the jet left or right along the vertical axis or rotate the head to find the perfect position. They are so versatile that two people can independently share the jets standing side by side.

Hand Shower

The hand shower has three individual functions and two combo functions. Rotate the head of the hand shower left or right to change between the power spray, pulsating massage or gentle cascade functions. To adjust angle of hand shower, loosen ring on the hand shower holder, gently rotate toward you or the wall, then tighten ring.

Care and Maintenance

Always blot dry any water from the surface of your ShowerSpa. To help protect your ShowerSpa from hard water stains and mineral deposits, use an auto spray wax periodically and wipe down your ShowerSpa after each use. Allowing water to evaporate on the surface can lead to a buildup of mineral deposits. Cleaning with a damp, nonabrasive sponge and drying with a clean soft cloth should help keep your ShowerSpa looking beautiful.

R E M E M B E R

NEVER use any abrasives or harsh cleaners!

Clean with mild soap and water ONLY!

*To keep your ShowerSpa in pristine condition,
DRY AFTER EACH USE!*

Manufacturer's Limited Warranty

PULSE Shower Spas, Inc. warrants that all ShowerSpas are free from defect in workmanship and/or materials for a period of three years from the date of purchase. This warranty extends to the original purchaser only and is non-transferable.

This warranty does not cover, and PULSE ShowerSpas will not pay for any conditions, malfunctions or damages resulting from (1) normal wear and tear, improper installation (whether performed by a contractor, a service company or the consumer), improper maintenance, misuse, abuse, negligence, accident or alteration; (2) the use of abrasive, caustic or "no-rinse" cleaning agents; (3) the use of the product in any manner contrary to the product instruction; (4) any condition in the home such as excessive water pressure or corrosion.

Should any ShowerSpa be determined by PULSE ShowerSpas, Inc. to be defective in normal residential use, at the option of PULSE ShowerSpas, Inc., such product shall either be replaced or repaired and returned to the customer free of defects. The consumer shall give notice of any defects to PULSE ShowerSpas, Inc. within thirty days of discovery of such defect.

Proof of purchase (original sales receipt) must be provided to PULSE ShowerSpas, Inc. with all warranty claims.

PULSE ShowerSpas, Inc. is not responsible for any labor charges, removal charges, installation or other consequential costs. In no event shall the liability of PULSE ShowerSpas, Inc. exceed the purchase price of the ShowerSpa.

Some states/provinces do not allow limitations of how long an implied warranty lasts or the exclusion or limitation of such damages, so these limitations and exclusions may not apply to you. This warranty gives the consumer specific legal rights. You may also have other rights that vary by state/province.

Follow manufacturers recommended installation. Use caution with children under ten years of age. Do not use ShowerSpa as a support device. Do not use harsh chemicals or abrasives when cleaning. Turn water supply off when servicing your ShowerSpa.



PULSE
SHOWERSPAS

Pulse ShowerSpas, Inc. ~ 49 Hangar Way Suite A ~ Watsonville, CA 95076 ~ 888.785.7320
info@pulseshowerspas.com ~ www.pulseshowerspas.com ~ support@pulseshowerspas.com