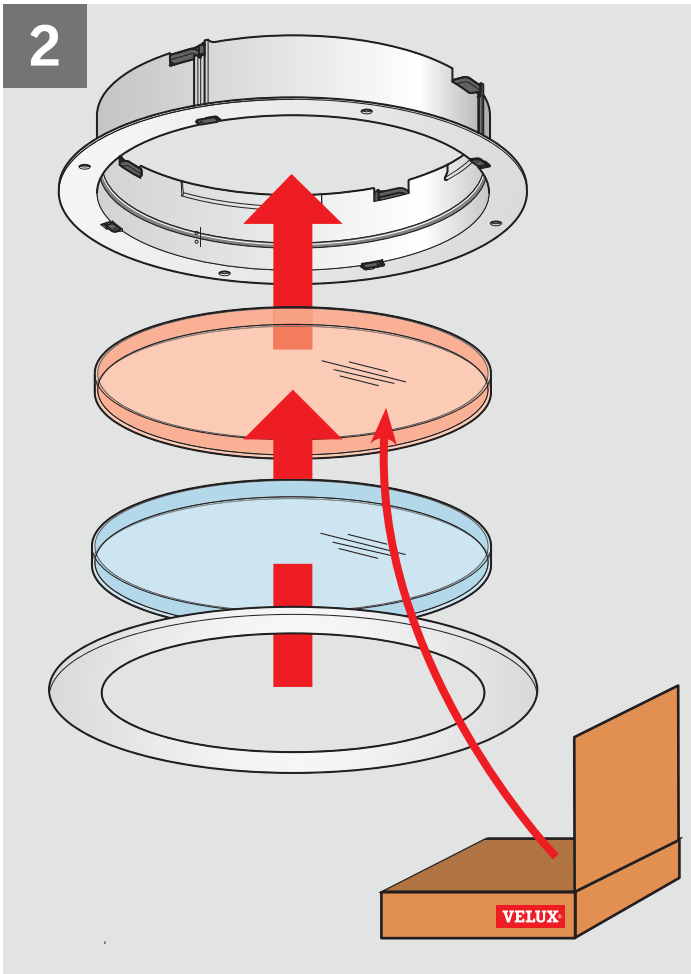
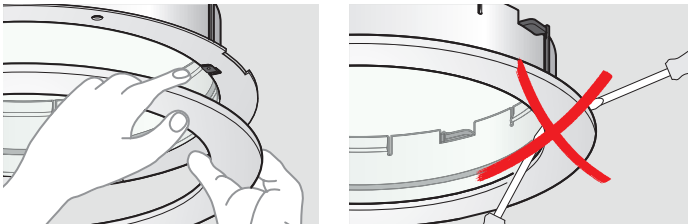
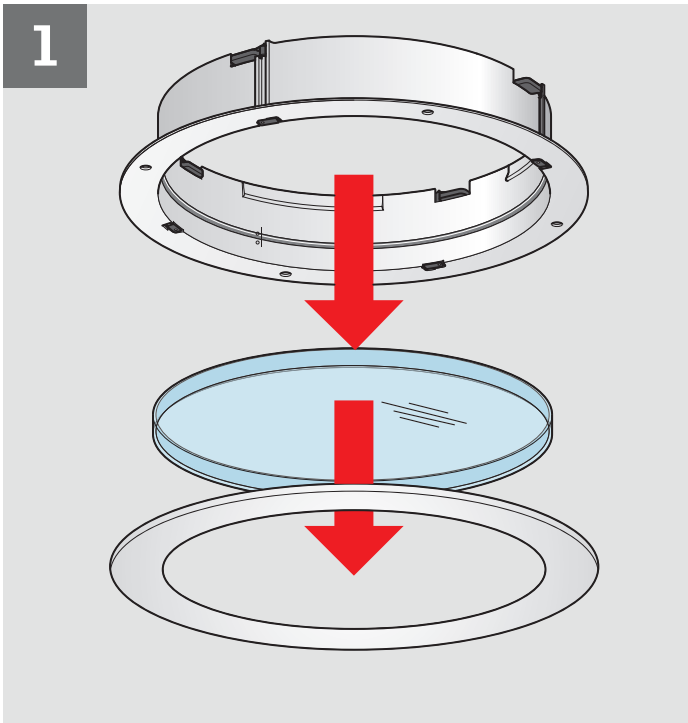
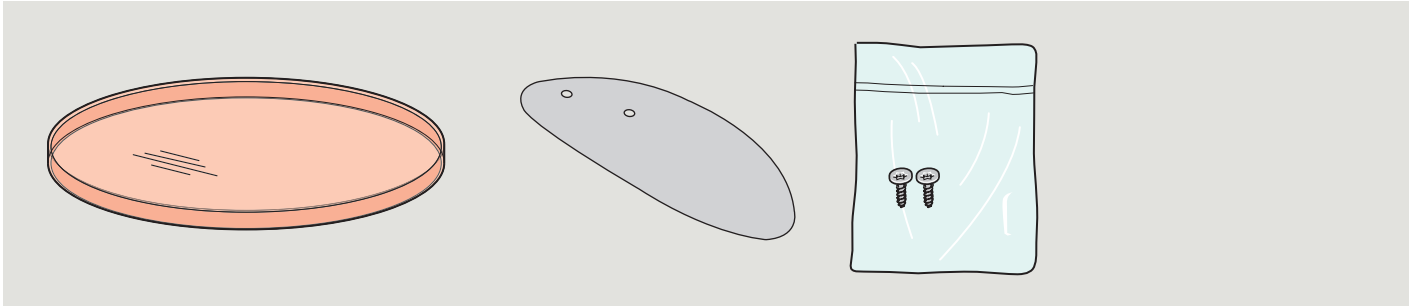
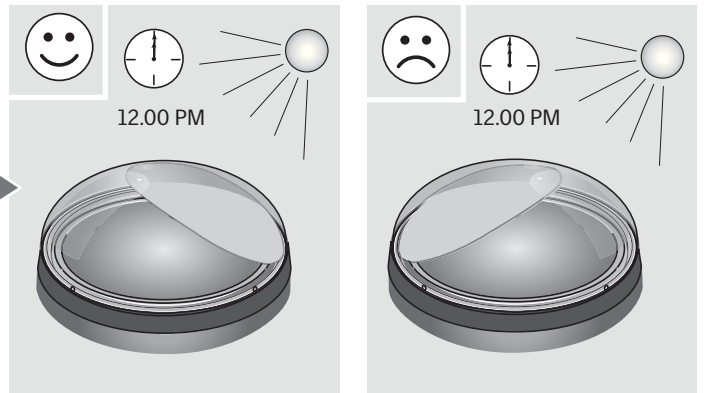
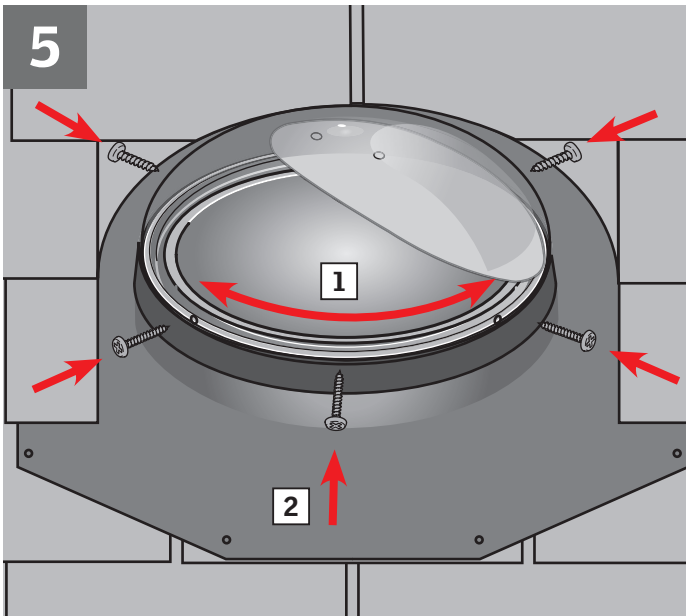
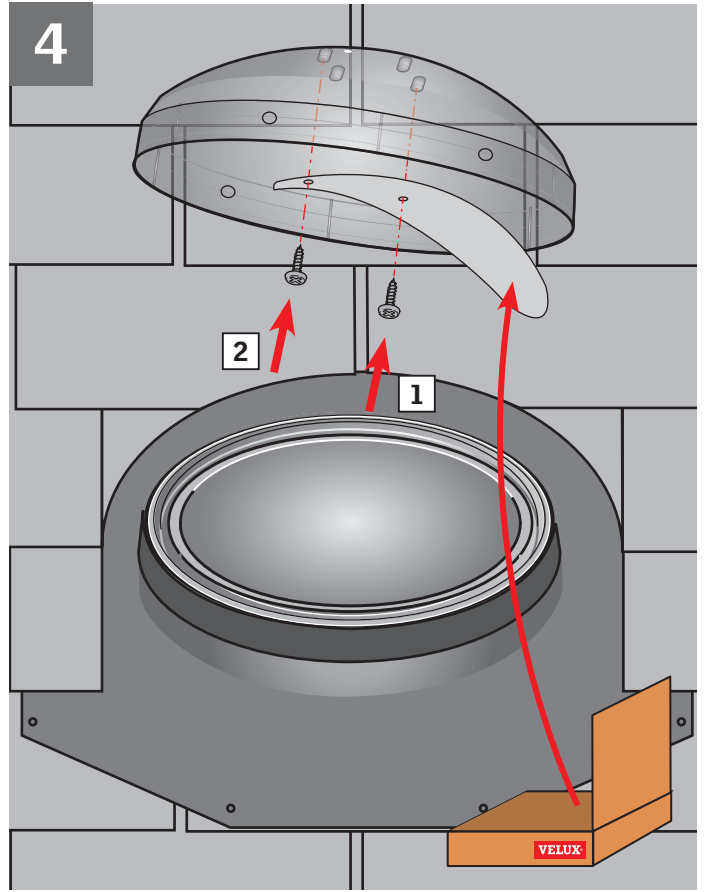
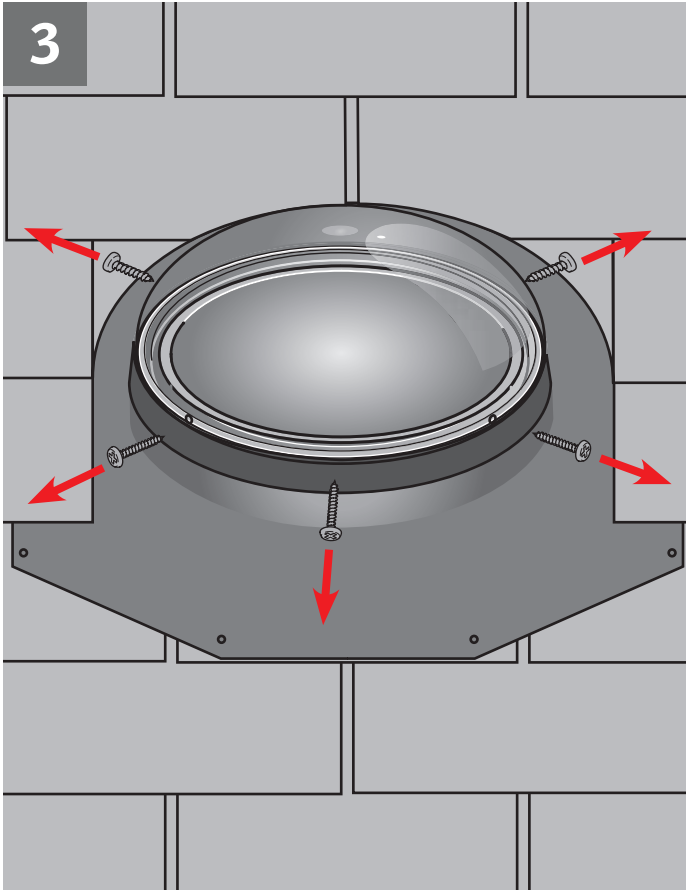


ZTC Residential Energy Kit





US: VELUX America Inc.
1-800-88-VELUX

CN: VELUX Canada Inc.
1 800 88-VELUX (888-3589)

www.velux.com