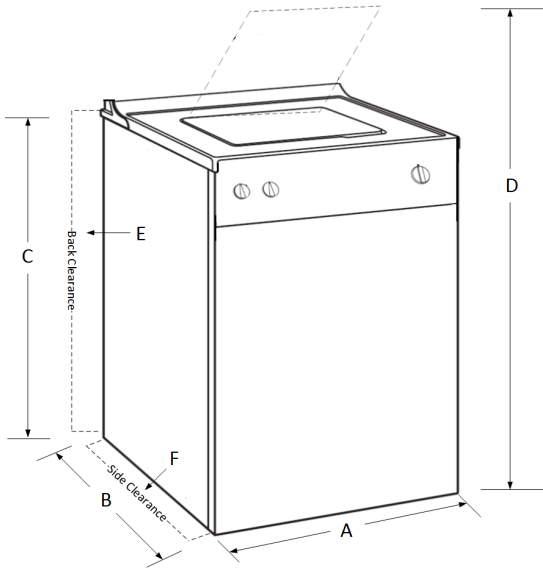




# WT1701CV

4.9 cu.ft. Mega Capacity Front Control Top Load TurboWash™ Washer

LAUNDRY



## OPTIONS 13

ColdWash™, Extra Rinse, Fabric Softener, Delay Wash, Child Lock, Signal On/Off, Water Plus, Custom Program, StainCare™, Water Plus, TurboWash™

## PROGRAMS 12

Cotton/Normal, Bulky/Bedding, Speed Wash, Heavy Duty, BrightWhites™, Delicates, Tub Clean, Permanent Press/Casual, Wool, Towels, Oxi-Sanitize™, Power Cleanse



## DIMENSIONS

Product Width	<b>A</b>	27"
Product Depth	<b>B</b>	28 3/8 "
Product Height	<b>C</b>	40 1/8"
With Door Open	<b>D</b>	55 1/8"
Back Clearance	<b>E</b>	4"
Side Clearance	<b>F</b>	1"
Carton (WxHxD, inch)	29 1/2" x 43 7/10" x 31 1/4"	
Weight (Product, lbs)	137.3	
Weight (Carton, lbs)	137.3	

## FEATURES

Smart Diagnosis™	Smart Diagnosis™
IMEF	2.76
IWF	3.5

## OPTIONS

Matching Dryer	DL_Y1701(2)W[E]V[E]
Available Colors	White (W), Graphite Steel (V)

## UPC CODE / WARRANTY

UPC CODE	048231013635
Colors	Graphite Steel
Parts & Labor	1 Year
Motor	10 Years
Drum	Lifetime

## MOTOR AND AGITATOR

Motor Type	Inverter Direct Drive
Motor Speed	Variable
Axis	Vertical
Max RPM	1100

## POWER SOURCE

Ratings	CSA Listed
Type	Top Load
Electrical Requirements	120V, 5 Amps/Electric

Dimensions and weights are approximate. Design, features and specifications subject to change without notice.