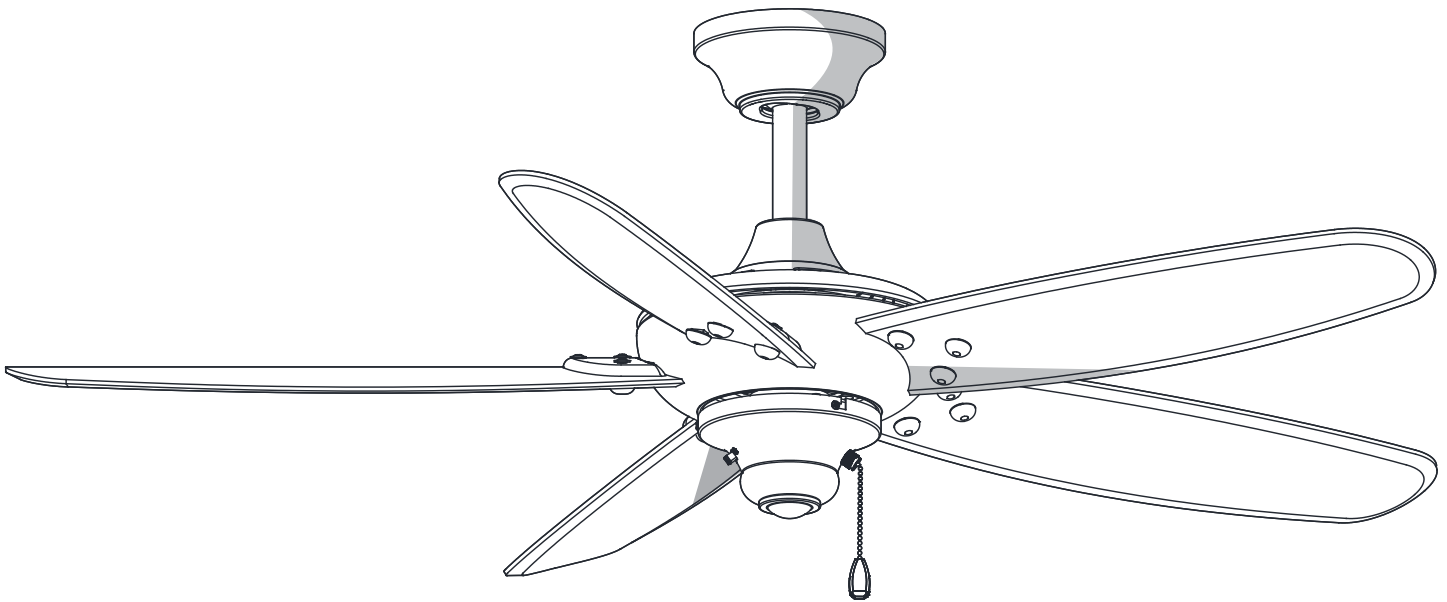


USE AND CARE GUIDE

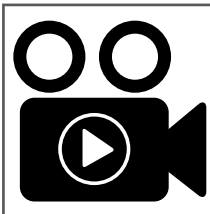
ALTURA 48-INCH CEILING FAN



Questions, problems, missing parts? Before returning to the store,
call Home Decorators Collection Customer Service
8 a.m. - 6 p.m., EST, Monday-Friday.

1-800-986-3460

HOMEDEPOT.COM/HOMEDECORATORS



To view an instructional video on how to install this product:

1. Go to www.homedepot.com and enter either the Item or Model number, found in the top right corner of the cover of this instruction manual, in the search field.
2. Click on your product from the list of search results and click on the video link in the "Product Overview" section.

THANK YOU

We appreciate the trust and confidence you have placed in Home Decorators Collection through the purchase of this ceiling fan. We strive to continually create quality products designed to enhance your home. Visit us online to see our full line of products available for your home improvement needs. Thank you for choosing Home Decorators Collection!

Table of Contents

Table of Contents	2	Assembly	7
Safety Information	2	Operation	12
Warranty	3	Care and Cleaning	13
Pre-Installation	3	Troubleshooting	13
Installation.....	6		

Safety Information

READ AND SAVE THESE INSTRUCTIONS.

1. To reduce the risk of electric shock, ensure the electricity has been turned off at the circuit breaker or fuse box before you begin.
2. All wiring must be in accordance with the National Electrical Code ANSI/NFPA 70-1999 and local electrical codes. Electrical installation should be performed by a qualified licensed electrician.
3. The outlet box and support structure must be securely mounted and capable of reliably supporting a minimum of 35 lbs. (15.9 kg). Use only UL-listed outlet boxes marked "Acceptable for Fan Support of 35 lbs. (15.9 kg) or less."
4. The fan must be mounted with a minimum of 7 ft (2.1 m) of clearance from the trailing edge of the blades to the floor.
5. Do not place objects in the path of the blades.
6. To avoid personal injury or damage to the fan and other items, use caution when working around or cleaning the fan.
7. After making electrical connections, spliced conductors should be turned upward and pushed carefully up into the outlet box. The wires should be spread apart with the grounded conductor and the equipment-grounding conductor on one side of the outlet box.
8. All set screws must be checked and retightened where necessary before installation.



WARNING: To reduce the risk of personal injury, do not bend the blade brackets (also referred to as flanges) during assembly or after installation. Do not insert objects in the path of the blades.



WARNING: To avoid possible electrical shock, turn the electricity off at the main fuse box before wiring. If you feel you do not have enough electrical wiring knowledge or experience, contact a licensed electrician.



WARNING: To reduce the risk of fire, electric shock or personal injury, mount to outlet box marked "Acceptable for fan support of 35 lbs. (15.9 kg) or less", and use screws provided with the outlet box.



WARNING: Electrical diagrams are for reference only. If you are using a light kit, refer to the light kit instructions manual to make the electrical connections. Optional use of any light kit shall be UL-listed and marked suitable for use with this fan.



CAUTION: To reduce the risk of personal injury, use only the screws provided with the outlet box.

Warranty

The supplier warrants the fan motor to be free from defects in workmanship and material present at time of shipment from the factory for a lifetime after the date of purchase by the original purchaser. The supplier also warrants that all other fan parts, excluding any glass or acrylic blades, to be free from defects in workmanship and material at the time of shipment from the factory for a period of two years after the date of purchase by the original purchaser. We agree to correct such defects without charge or at our option replace with a comparable or superior model if the product is returned. To obtain warranty service, you must present a copy of the receipt as proof of purchase. All costs of removing and reinstalling the product are your responsibility. Damage to any part such as by accident or misuse or improper installation or by affixing any accessories, is not covered by this warranty. Because of varying climatic conditions this warranty does not cover any changes in brass finish, including rusting, pitting, corroding, tarnishing, or peeling. Brass finishes of this type give their longest useful life when protected from varying weather conditions. A certain amount of "wobble" is normal and should not be considered a defect. Servicing performed by unauthorized persons shall render the warranty invalid. There is no other express warranty. Home Decorators Collection hereby disclaims any and all warranties, including but not limited to those of merchantability and fitness for a particular purpose to the extent permitted by law. The duration of any implied warranty which cannot be disclaimed is limited to the time period as specified in the express warranty. Some states do not allow a limitation on how long an implied warranty lasts, so the above limitation may not apply to you. The retailer shall not be liable for incidental, consequential, or special damages arising out of or in connection with product use or performance except as may otherwise be accorded by law. Some states do not allow the exclusion of incidental or consequential damages, so the above exclusion or limitation may not apply to you. This warranty gives specific legal rights, and you may also have other rights which vary from state to state. This warranty supersedes all prior warranties. Shipping costs for any return of product as part of a claim on the warranty must be paid by the customer.

Contact the Customer Service Team at 1-800-986-3460 or visit www.HOMEDEPOT.COM/HOMEDECORATORS.

Pre-Installation

SPECIFICATIONS

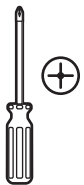
Size	Speed	Volts	Fan Power Consumption (without lights) WATT	Airflow CFM	Airflow Efficiency (Higher Is Better) CFM/WATT	Net Weight	Gross Weight	Cube Feet
48 in.	Low	120	14	1986	141	15.2 lbs (6.9 kgs)	18.08 lbs (8.2 kgs)	1.80'
	Medium		31	3092	100			
	High		63	4486	71			



NOTE: These are approximate measures. They do not include the Amps and Wattage used by the light kit.



TOOLS REQUIRED



Phillips screwdriver



Flat blade screwdriver



Adjustable wrench



Electrical tape



Wire cutter



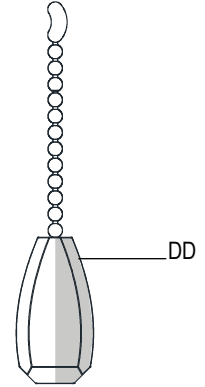
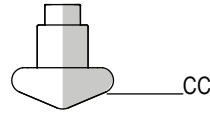
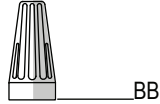
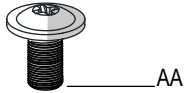
Step ladder

Pre-Installation (continued)

HARDWARE INCLUDED



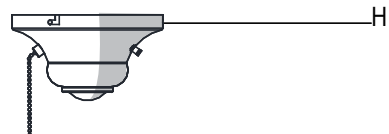
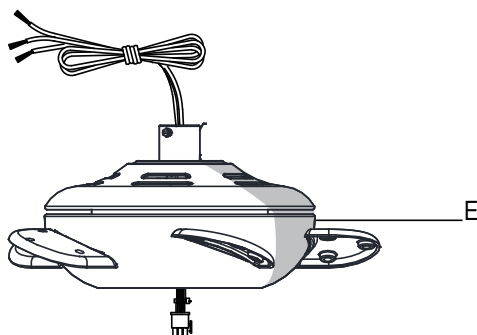
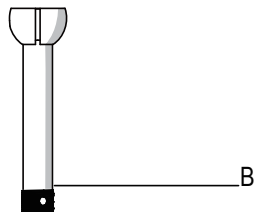
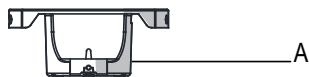
NOTE: Hardware not shown to actual size.



Part	Description	Quantity
AA	Blade attachment screws	15
BB	Plastic wire connecting nut	3
CC	Decorative nut	15
DD	Pull chain	1

Pre-Installation (continued)

PACKAGE CONTENTS



Part	Description	Quantity
A	Slide-on mounting bracket (inside canopy)	1
B	Ball/downrod assembly	1
C	Canopy	1
D	Decorative motor collar cover	1

Part	Description	Quantity
E	Fan-motor assembly	1
F	Blade	5
G	Switch cup adaptor	1
H	Switch cup	1



IMPORTANT: This product and/or components are governed by one or more of the following U.S. Patents: 5,947,436; 5,988,580; 6,010,110; 6,046,416, 6,210,117 and other patents pending.

Installation

MOUNTING OPTIONS



WARNING: To reduce the risk of fire, electric shock or personal injury, mount to outlet box marked "Acceptable for fan support of 35 lbs. (15.9 kg) or less", and use screws provided with the outlet box. An outlet box commonly used for the support of lighting fixtures may not be acceptable for fan support and may need to be replaced. If in doubt, consult a qualified electrician.

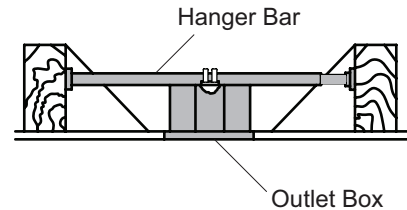
If your ceiling fan does not have an existing UL-listed mounting box, then install one using the following instructions:

- Disconnect the power by removing the fuses or turning off the circuit breakers.
- Secure the outlet box directly to the building structure. Use the appropriate fasteners and materials. The outlet box and its bracing must be able to fully support the weight of the moving fan (at least 35 lbs. (15.9 kg)). Do not use a plastic outlet box.

The illustrations below show three different ways to mount the outlet box.



NOTE: You may need a longer downrod to maintain proper blade clearance when installing on a steep, sloped ceiling. The maximum angle allowable is 30° away from horizontal.



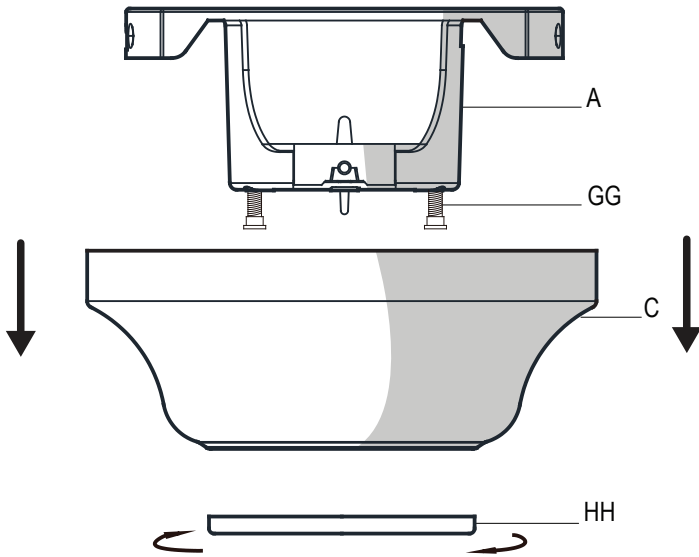
If the canopy touches the downrod, then remove the decorative canopy bottom cover, and turn the canopy 180° before attaching the canopy to the mounting plate.

To hang your fan where there is an existing fixture but no ceiling joist, you may need an installation hanger bar as shown above (available at any Home Depot store).

Assembly - Standard Ceiling Mount

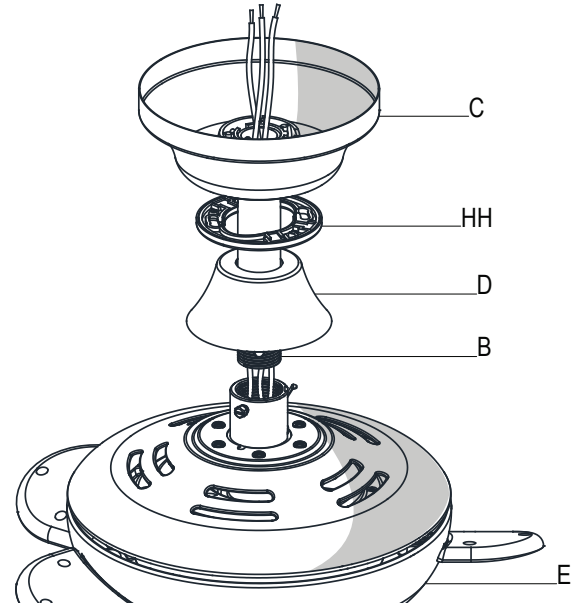
1 Preparing for mounting

- Remove the canopy cover (HH) from the canopy (C) by turning the bottom cover counter-clockwise until it unlocks.
- Loosen the two canopy screws (GG) located in the bottom of the mounting bracket (A), and turn the canopy counter-clockwise to remove the mounting bracket from the canopy (C).



2 Routing the wires

- Route the wires exiting the top of the fan motor assembly (E) through the decorative motor collar cover and then the center of canopy bottom cover (HH).
- Make sure the opening of canopy (C) is on top and insert the ball/downrod (B) through the canopy (C).
- Route the wires exiting the top of the fan motor assembly (E) through the downrod as shown.



3 Assembling the fan

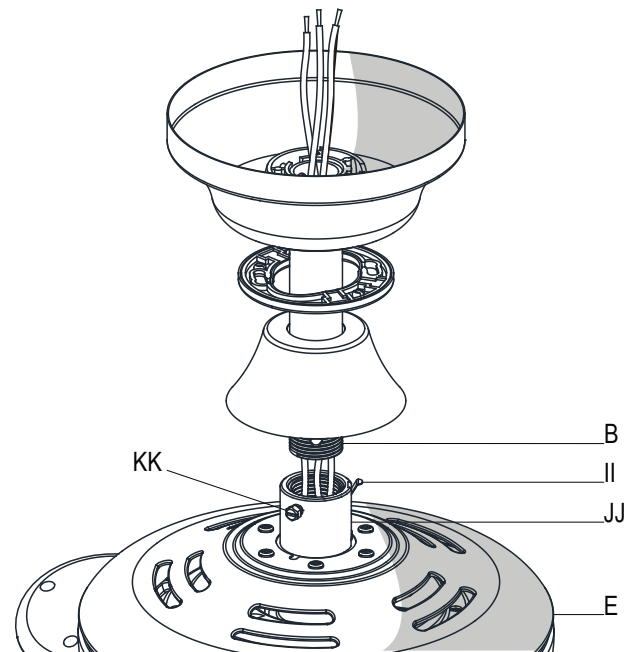


CAUTION: To ensure wobble-free operation and to avoid damage to the fan, the downrod (B) and the setscrew (KK) must be completely tightened.



NOTE: This fan is equipped with a safety tab (II). Should the setscrew (KK) ever become loose while the fan is running in reverse, the safety tab (II) will engage and stop the fan from falling.

- Loosen, but do not remove, the setscrew (KK) on the collar (JJ) on top of the fan-motor assembly (E).
- Install the downrod (B) by inserting it into the motor collar (JJ), and turning it clockwise until it is tight.
- Re-tighten the setscrew (KK) on the collar (JJ) on top of the fan motor assembly (E).



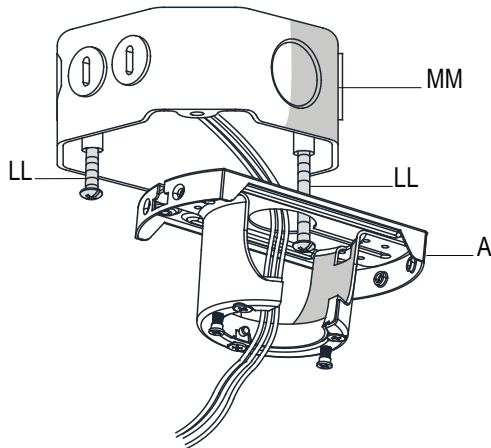
Assembly - Hanging the Fan

1 Attaching the fan to the electrical box



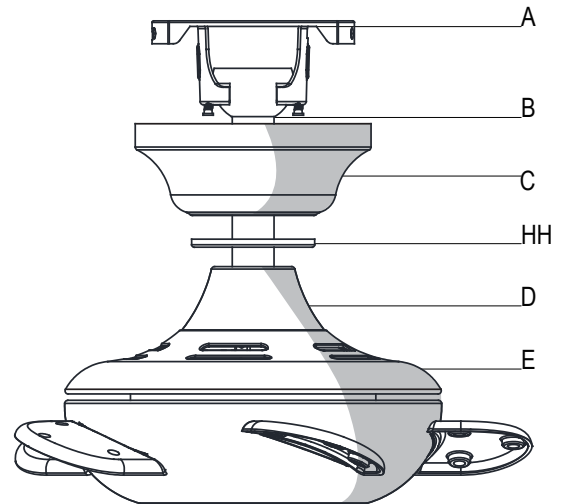
WARNING: To reduce the risk of fire, electric shock or personal injury, mount to outlet box marked "acceptable for fan support of 35 lbs (15.9 kg) or less", and use screws provided with the outlet box.

- Pass the 120-Volt supply wires through the center hole in the mounting bracket (A).
- Install the ceiling mounting bracket (A) on the outlet box (MM) by sliding the mounting bracket (A) over the two screws (LL) provided with the outlet box (MM). If necessary, use leveling washers (not included) between the mounting bracket (A) and the outlet box (MM). Note that the flat side of the mounting bracket (A) is toward the outlet box (MM).
- Securely tighten the two mounting screws (LL).



2 Hanging the fan

- Carefully lift the fan motor assembly (E) up to the mounting bracket (A).
- Seat the hanger ball portion of the ball/downrod assembly (B) in the mounting bracket (A) socket. Ensure that the tab on the mounting bracket (A) socket is properly seated in the groove in the hanger ball.



Assembly - Hanging the Fan (continued)

3 Making the electrical connection



WARNING: Each wire nut supplied with this fan is designed to accept up to one 12-gauge house wire and two wires from the fan. If you have larger than 12-gauge house wiring or more than one house wire to connect to the fan wiring, consult an electrician for the proper size wire nuts to use.



IMPORTANT: Use the plastic wire connectors (BB) supplied with your fan. Secure the connectors with electrical tape and ensure there are no loose strands or connections.

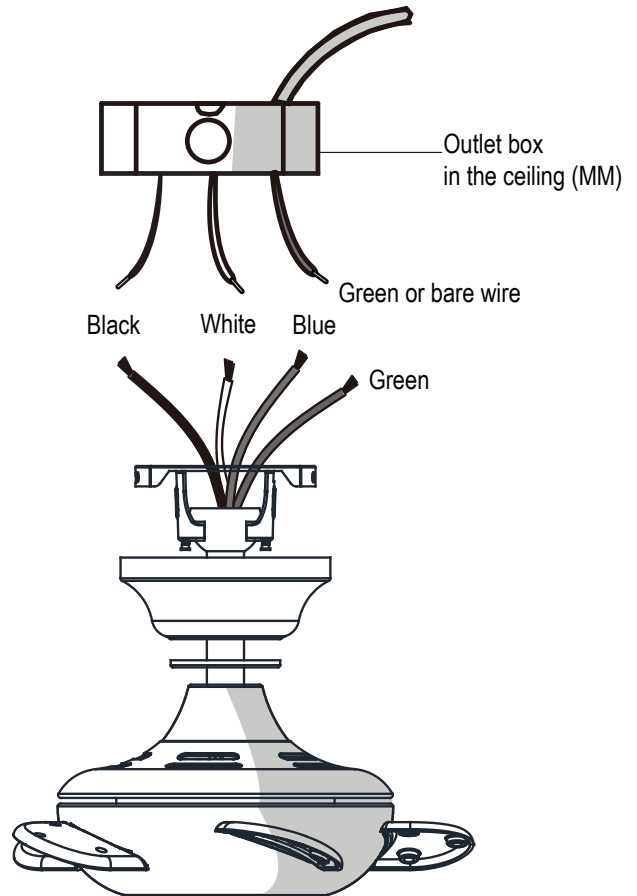


IMPORTANT: If after this step, you decide to check that the electrical connections have been successful, it is critical to attach the switch cup using the quick connector. The fan will not operate unless the switch cup is connected to the fan.



NOTE: The fan comes with 30 in. lead wires for use with an extended ball/downrod assembly. If using the 6 in. ball/downrod assembly (B) provided, you can cut the lead wires to your desired length.

- The fan comes with 30 in. lead wires for use with an extended ball/downrod assembly. If using the 6 in. ball/downrod assembly (B) provided, you can cut the lead wires to your desired length. This will make extra room in the canopy (C), if you do not wish to cut the wires, you will need to neatly wrap them.
- Connect the fan motor green wires to the household green or bare wire using a wire connecting nut (BB).
- Connect the fan motor white wire to the household white wire using a wire connecting nut (BB).
- Connect the fan motor black and blue wire to the household black wire using a wire connecting nut (BB).
- Secure each wire connecting nut using electrical tape.
- Turn the wire connecting nuts (BB) upward and push the wiring into the outlet box (MM).



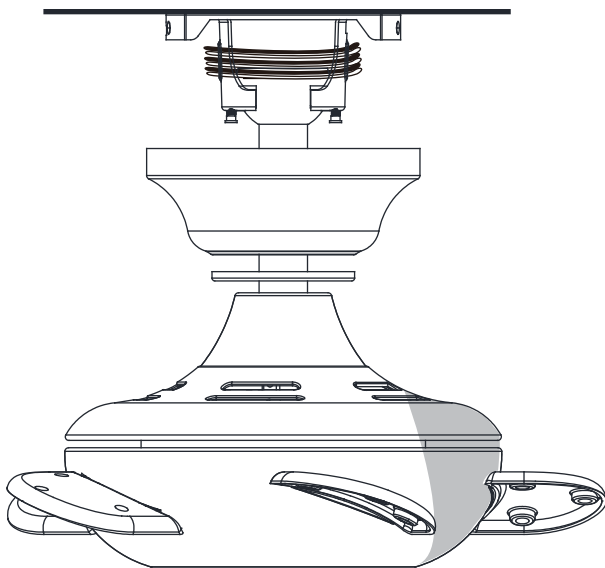
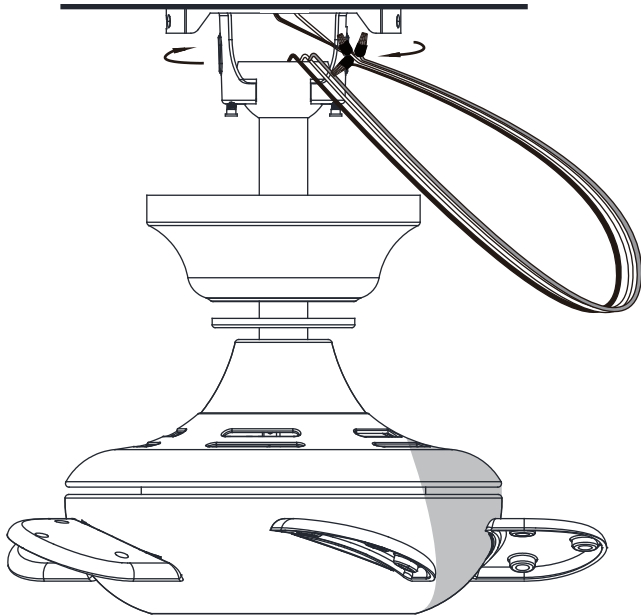
Assembly - Hanging the Fan (continued)

4 Wrapping the extra wire



NOTE: Follow this step **ONLY** if you did not cut the extra length off from the wires coming from the ceiling fan.

- Gently wrap the excess wire around the mounting bracket.
- Secure with electrical tape.

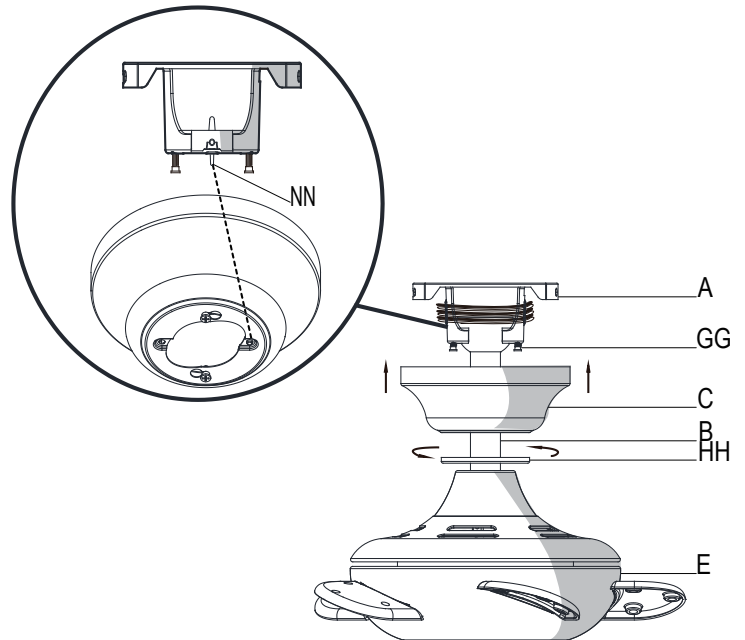


5 Mounting the fan-motor assembly (standard mount)



WARNING: When using the standard ball/downrod mounting, the tab in the ring at the bottom of the mounting bracket must rest in the groove of the hanger ball. Failure to properly seat the tab in the groove could cause damage to the wiring.

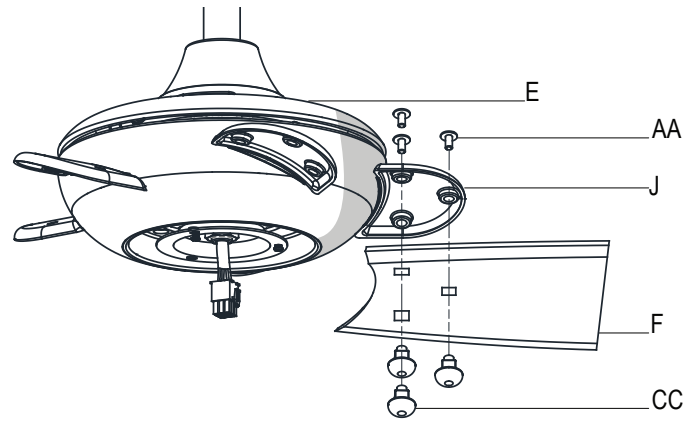
- Align the locking slots of canopy (C) with the two screws (GG) and alignment post (NN) in the mounting bracket (A).
- Push up the canopy (C) and turn clockwise until the alignment post (NN) engage to the round hole and the screws (GG) engage to the key slots.
- Firmly tighten the two mounting screws (GG).
- Install the decorative bottom cover (HH) by aligning the covers slots with screws in the bottom of the canopy (C). Rotate the bottom cover clockwise to lock in place.



Assembly - Hanging the Fan (continued)

6 Attaching the fan blades

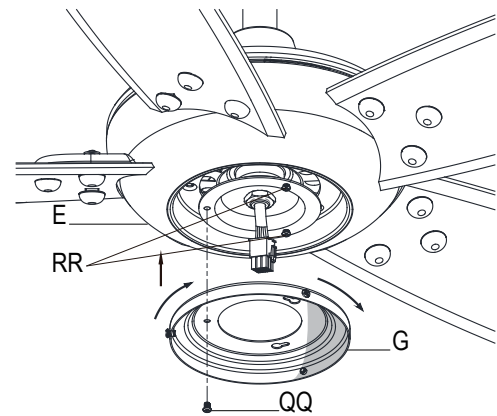
- Attach blade (F) to blade bracket (J) using the decorative nuts (CC) and blade attachment screws (AA) provided. Insert a blade attachment screw (AA) through a hole in the blade (F) and the blade bracket (J) and into the decorative nut (CC). Repeat for the two remaining holes in the blade (F).
- Tighten each screw (AA) securely.
- Repeat these steps for the remaining blades.




Assembly - Attaching the accessories

1 Attaching the switch cup adaptor


- Remove one screw (QQ) from the black bracket below the fan motor assembly (E). Loosen, but do not remove the other two screws (RR).
- Align the key hole slots in the switch cup adaptor (G) with the two screws (RR) in the black bracket.
- Turn the switch cup adaptor (G) clockwise until the two screws (RR) are situated in the narrow end of the keyholes.
- Re-install the one screw (QQ) that was removed in first step. Tighten all three screws firmly.



2 Attaching the switch cup

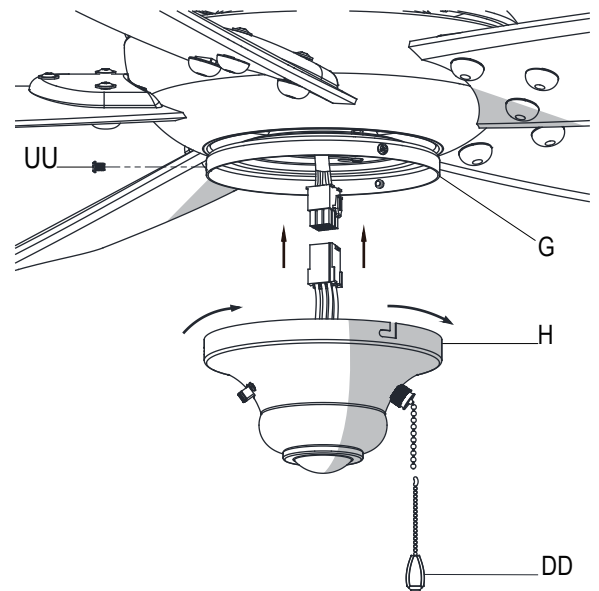


CAUTION: To reduce the risk of electric shock, disconnect the electrical supply circuit to the fan before installing the switch cup.



IMPORTANT: It is critical to attach the switch cup using the quick connector. The fan will not operate unless the switch cup is connected to the fan.

- Remove one screw (UU) from the switch cup adaptor (G). Loosen but do not remove the other two screws (UU).
- Connect the molded adaptor plug from switch cup (H) with the molded adaptor of the fan motor assembly (E).
- Aligning the "L" shape holes on the switch cup (H) with the screws on the switch cup adaptor (G). Turn the switch cup (H) to hold it in position.
- Install the other screw (UU) that was removed in the first step. Tighten all three screws (UU) securely.
- Attach the pull chain extensions (DD) provided to the fan pull chain.



Operating Your Fan

Operating the fan



NOTE: Wait for the fan to stop before reversing the direction of blade rotation.

Turn on the power and check the operation of the fan, the pull chain controls the fan speeds as follows:

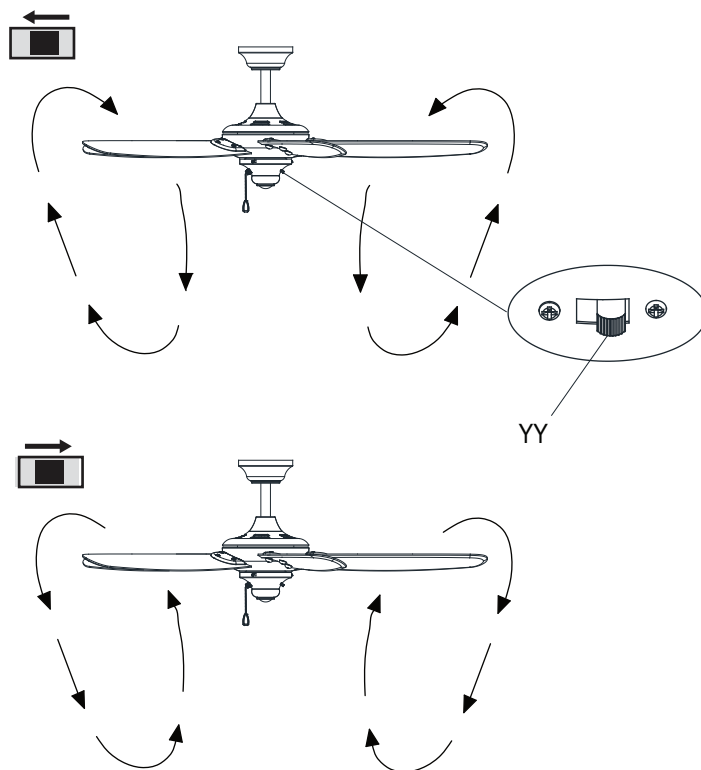
1 pull - high, 2 pulls - Medium, 3 pulls - Low, 4 pulls - off

The appropriate speed settings for warm or cool weather depend on factors such as the room size, ceiling height, and number of fans.

The slide switch (YY) controls the direction of the blades: forward (switch left) or reverse (switch right).

Warm weather - (Forward) A downward airflow creates a cooling effect. This allows you to set your air conditioner on a higher setting without affecting your comfort.

Cool weather - (Reverse) An upward airflow moves warm air off of the ceiling. This allows you to set your heating unit on a lower setting without affecting your comfort.



Care and Cleaning



WARNING: Make sure the power is off before cleaning your fan.

- Because of the fan's natural movement, some connections may become loose. Check the support connections, brackets, and blade attachments twice a year. Make sure they are secure. It is not necessary to remove the fan from the ceiling.
- Clean your fan periodically to help maintain its new appearance over the years. Do not use water when cleaning, as this could damage the motor, or the wood, or possibly cause an electrical shock. Use only a soft brush or lint-free cloth to avoid scratching the finish.
- You can apply a light coat of furniture polish to the wood for additional protection and enhanced beauty. Cover small scratches with a light application of shoe polish.
- You do not need to oil your fan. The motor has permanently-lubricated sealed ball bearings.

Troubleshooting

Problem	Solution
The fan will not start	<ul style="list-style-type: none">□ Check the main and branch circuit fuses or breakers.□ Check the line wire connections to the fan and switch wire connections in the switch housing.□ Check the battery in the remote control.□ Ensure you are in the normal range of 10-20 feet.□ Remember to turn off the power supply before checking the dip switch settings.
The fan is noisy	<ul style="list-style-type: none">□ Ensure all motor housing screws are snug.□ Ensure the screws that attach the fan blade bracket to the motor hub are tight.□ Ensure the wire nut connections are not rattling against each other or the interior wall of the switch housing.□ Allow a 24-hour "breaking in" period. Most noises associated with a new fan disappear during this time.□ If you are using the Ceiling Fan light kit, ensure the screws securing the glassware are tight. Check that the light bulbs are also secure.□ Ensure the canopy is a short distance from the ceiling. It should not touch the ceiling.□ Ensure your outlet box is secure and rubber isolator pads were used between the mounting plate and outlet box.
The fan wobbles	<ul style="list-style-type: none">□ Check that all blade and blade arm screws are secure.□ Most fan wobble problems are caused when blade levels are unequal. Check this level by selecting a point on the ceiling above the tip of one of the blades. Measure from a point on the center of the blade to the point on the ceiling. Rotate the fan until the next blade is positioned for measurement, and measure from the same point on each blade to the ceiling. Repeat for each blade. Any measurement deviation should be within 1/8 in. Run the fan for ten minutes. If the fan continues to wobble please contact Home Decorators Collection Customer Service and a balancing kit will be sent to you at no charge.

HOME DECORATORS COLLECTION

Questions, problems, missing parts? Before returning to the store,
call Home Depot Customer Service
8 a.m. - 6 p.m., EST, Monday-Friday

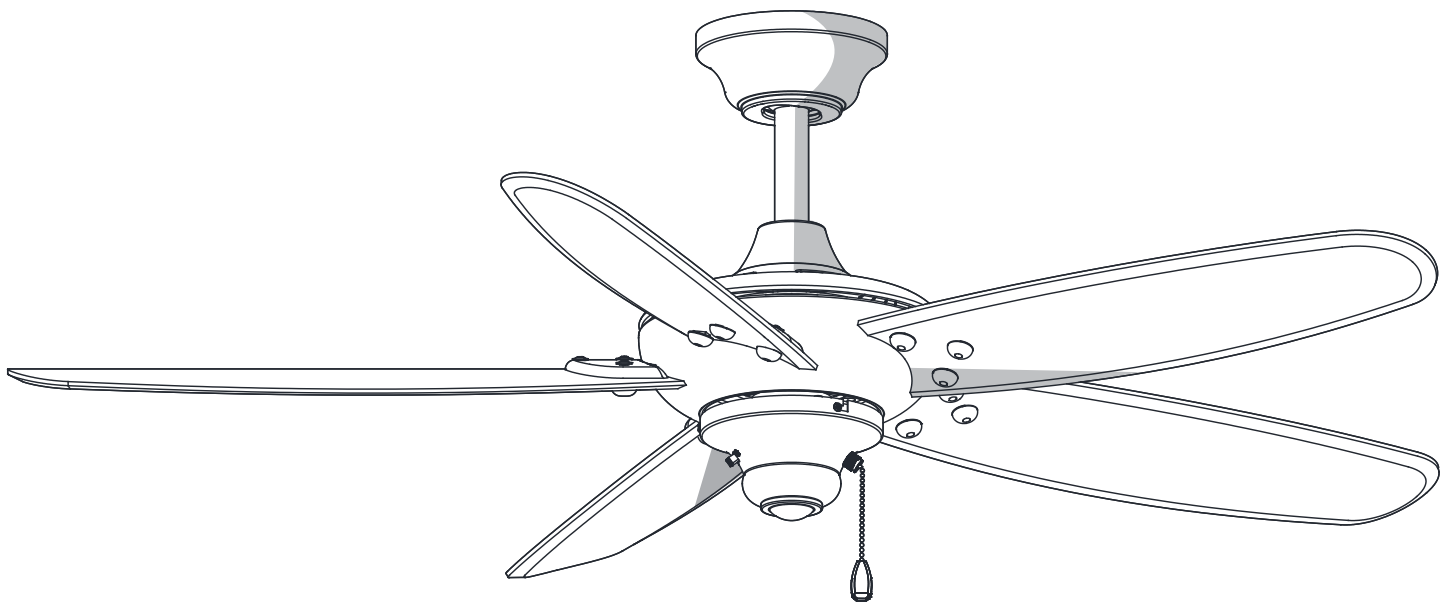
1-800-986-3460

[HOMEDEPOT.COM/HOMEDECORATORS](https://www.homedepot.com/homedecorators)

Retain this manual for future use.

GUÍA DE USO Y MANTENIMIENTO

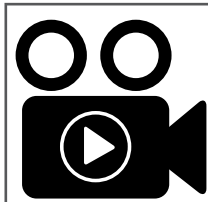
VENTILADOR DE TECHO ALTURA, DE 122 CM



¿Preguntas, problemas o piezas faltantes? Antes de devolver a la tienda, llama al servicio al cliente de Home Decorators Collection, de lunes a viernes, entre 8:00 a.m. y 6:00 p.m. (Hora Estándar del Este).

1-800-986-3460

HOMEDEPOT.COM/HOMEDECORATORS



Para ver un video instructivo sobre cómo instalar este producto:

1. Visita www.homedepot.com e ingresa en el campo de búsqueda el número de modelo o artículo, localizado en la esquina superior derecha de la cubierta de este manual de instrucciones.
2. Haz clic sobre tu producto, en la lista de resultados de la búsqueda, y sobre el enlace de video en la sección "Información general del producto".

GRACIAS POR TU COMPRA

Apreciamos la confianza que has depositado en Home Decorators Collection al comprar este ventilador de techo. Nos esforzamos en crear continuamente productos de calidad diseñados para mejorar tu hogar. Visítanos por Internet para ver nuestra línea completa de productos disponibles a fin de satisfacer tus necesidades de mejoras del hogar. ¡Gracias por elegir Home Decorators Collection!

Tabla de contenido

Tabla de contenido	2	Ensamblaje.....	7
Información de seguridad.....	2	Funcionamiento	12
Garantía.....	3	Mantenimiento y limpieza.....	13
Preinstalación	3	Solución de problemas	13
Instalación.....	6		

Información de seguridad

LEE Y GUARDA ESTAS INSTRUCCIONES.

1. Para disminuir el riesgo de descarga eléctrica, asegúrate de cortar la electricidad en el cortacircuitos o la caja de fusibles antes de comenzar.
2. Todo el cableado tiene que cumplir con el Código Nacional de Electricidad ANSI/NFPA 70-1999 y con los códigos locales de electricidad. La instalación eléctrica debe hacerse por un electricista certificado y calificado.
3. La caja eléctrica y la estructura de soporte tienen que montarse de forma segura para poder sostener de manera fiable 15.9 kg como mínimo. Usa solo cajas eléctricas aprobadas por UL y marcadas como “apropiada para sostener ventiladores de 15.9 kg o menos”.
4. El ventilador tiene que montarse con mínimo de 2.13 m de separación entre el borde posterior de las aspas y el piso.
5. No coloques objetos en la trayectoria de las aspas.
6. Para evitar lesiones físicas o daños al ventilador y otros artículos, ten cuidado al limpiarlo o al trabajar cerca de él.
7. Después de concluir las conexiones eléctricas, debes voltear los conductores empalmados hacia arriba y meterlos con cuidado en la caja eléctrica. Los cables deben estar separados con el cable a tierra y el conductor a tierra del equipo a un lado de la caja eléctrica.
8. Todos los tornillos colocados tienen que comprobarse y ajustarse donde sea necesario antes de la instalación.



ADVERTENCIA: Para reducir el riesgo de lesiones personales, no dobles los soportes de las aspas (también llamados “bridas”) durante el ensamblaje ni después de la instalación. No coloques objetos en la trayectoria de las aspas.



ADVERTENCIA: Para evitar una posible descarga eléctrica, corta la energía en la caja principal de fusibles antes de instalar el cableado. Si crees que no tienes suficiente experiencia o conocimientos sobre cableado eléctrico, contrata a un electricista certificado.



ADVERTENCIA: Para reducir el riesgo de incendio, descarga eléctrica o lesiones personales, instala solo en una caja eléctrica clasificada como “apropiada para sostener ventiladores de 15.9 kg o menos” y usa los tornillos que vienen con ella.



ADVERTENCIA: Los diagramas eléctricos son ya solo para referencia. Si usas un kit de luces, consulta su manual de instrucciones para hacer las conexiones eléctricas. Cualquier juego de luces opcional deberá estar aprobado por UL y marcado como adecuado para usar con este ventilador.



PRECAUCIÓN: Para reducir el riesgo de lesiones personales, usa solo los tornillos incluidos con la caja eléctrica.

Garantía

El proveedor garantiza de por vida, a partir de la fecha de adquisición por el comprador original, que el motor del ventilador no presenta defectos de fabricación ni de materiales al momento del envío desde la fábrica. El proveedor también garantiza, por dos años a partir de la fecha de adquisición por el comprador original, que todas las demás piezas del ventilador, sin incluir aspas de vidrio o acrílicas, no presentarán ningún defecto de fabricación ni de material al momento del envío desde la fábrica. Si el producto es devuelto, aceptamos reparar tales defectos sin cargo alguno o, a nuestra discreción, reemplazarlo por un modelo similar o superior. Para obtener servicio de garantía tiene que presentarse una copia del recibo como comprobante de compra. Todos los costos de retiro y reinstalación del producto correrán por tu cuenta. No están cubiertos bajo esta garantía los daños a ninguna de las piezas como resultado de accidentes, instalación o uso incorrectos ni por instalación de cualquier accesorio. Puesto que las condiciones climáticas pueden variar, esta garantía no cubre ningún cambio en el acabado en bronce, incluyendo óxido, perforación, corrosión, manchas o descascaramiento. Este tipo de acabados en latón alargan la vida útil al proteger contra las condiciones climáticas cambiantes. Cierta "oscilación" es normal y no debe considerarse un defecto. Cualquier servicio prestado por personal no autorizado invalidará la garantía. No hay ninguna otra garantía expresa. Por este medio, Home Decorators Collection queda exento de todas y cada una de las garantías, incluyendo, pero sin limitarse a, aquellas de comercialización e idoneidad para determinado propósito, en el alcance permitido por la ley. La duración de cualquier garantía implícita que no pueda eximirse está limitada al período especificado en la garantía explícita. Algunos estados no permiten limitar la duración de la garantía, así que la limitación anterior pudiera no aplicarse a su caso. El minorista no será responsable por daños directos, indirectos o especiales que resulten o deriven del uso o funcionamiento del producto, excepto en los casos estipulados por la ley. Algunos estados no permiten excluir ni limitar daños directos o indirectos, así que la limitación o exclusión anterior pudiera no aplicarse a su caso. Esta garantía otorga derechos legales específicos y es posible que usted tenga también otros derechos, que varían de un estado a otro. Esta garantía sustituye todas las garantías anteriores. Los costos de envío por cualquier devolución de productos como parte de una reclamación de garantía corren por cuenta del cliente.

Comuníquese con el Equipo de Servicio al Cliente por el teléfono 1-800-986-3460 o visita www.HOMEDEPOT.COM/HOMEDECORATORS.

Preinstalación

ESPECIFICACIONES

Tamaño	Velocidad	Voltios	Consumo de energía del ventilador (sin luces) VATIO	Flujo de aire CFM	Eficiencia de flujo de aire (Mientras más alta, mejor) CFM/VATIOS	Peso neto	Peso bruto	Pies cúbicos
122 cm	Baja	120	14	1986	141	15.2 lbs (6.9 kgs)	18.08 lbs (8.2 kgs)	1.80'
	Medio		31	3092	100			
	Alta		63	4486	71			



NOTA: Estas medidas son aproximadas. No incluyen ni el amperaje ni el vataje consumido por el kit de luces.



HERRAMIENTAS NECESARIAS



Destornillador Phillips



Destornillador plano



Llave ajustable



Cinta de electricista



Cortacables



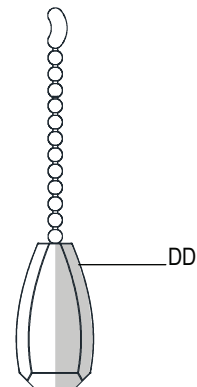
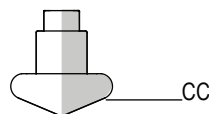
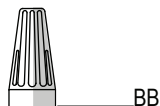
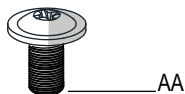
Escalera de tijera

Preinstalación (continuación)

HERRAJES INCLUIDOS



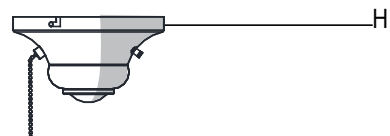
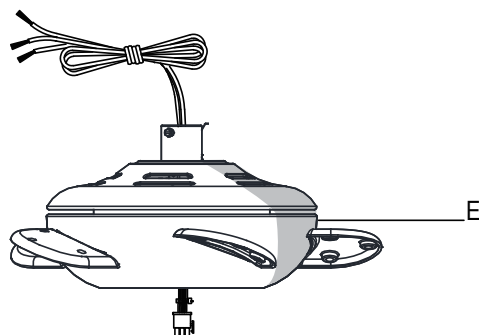
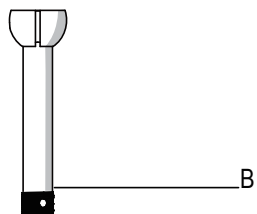
NOTA: Los herrajes no se muestran en tamaño real.



Pieza	Descripción	Cantidad
AA	Tornillos para montaje de aspas	15
BB	Tuerca de plástico para conectar cables	3
CC	Tuerca decorativa	15
DD	Interruptor de cadena	1

Preinstalación (continuación)

CONTENIDO DEL PAQUETE



Pieza	Descripción	Cantidad
A	Soporte de montaje deslizante (dentro de la cubierta)	1
B	Conjunto de tubo bajante/bola	1
C	Cubierta	1
D	Cubierta decorativa del collarín del motor	1

Pieza	Descripción	Cantidad
E	Conjunto del motor y el ventilador	1
F	Aspa	5
G	Adaptador de la caja del interruptor	1
H	Caja del interruptor	1



IMPORTANTE: Este producto y/o sus componentes están protegidos por una o más de las siguientes patentes en EE. UU.: 5,947,436; 5,988,580; 6,010,110; 6,046,416, 6,210,117, así como otras patentes pendientes.

Instalación

OPCIONES DE MONTAJE

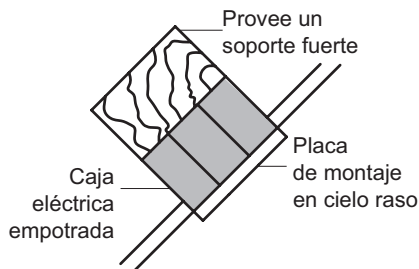
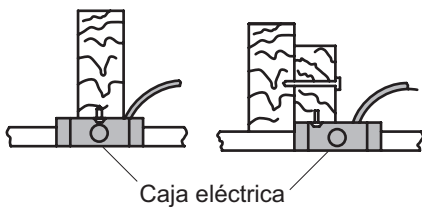
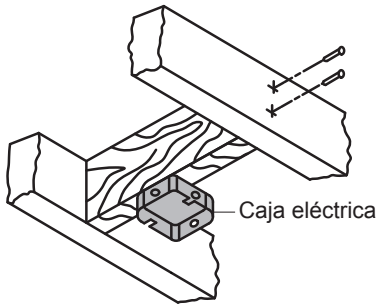


ADVERTENCIA: Para reducir el riesgo de incendio, descarga eléctrica o lesiones personales, instala solo en una caja eléctrica clasificada como “apropiada para sostener ventiladores de 15.9 kg o menos” y usa los tornillos que vienen con ella. Las cajas eléctricas utilizadas comúnmente para el soporte de lámparas pudieran no servir como soporte de ventilador y tal vez deban reemplazarse. En caso de duda, consulta a un electricista calificado.

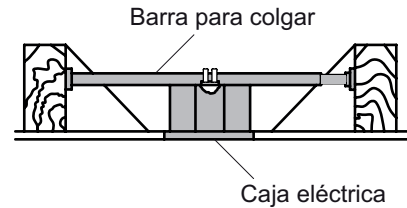
Si tu ventilador de techo no tiene una caja de montaje aprobada por UL, instala una siguiendo las instrucciones a continuación:

- Desconecta la energía retirando los fusibles o apagando los cortacircuitos.
- Asegura la caja eléctrica directamente a la estructura de la edificación. Usa sujetadores y materiales apropiados. La caja eléctrica y su soporte tienen que sostener todo el peso del ventilador en movimiento (al menos 35 lb = 15.9 kg). No uses una caja eléctrica de plástico.

Las ilustraciones más abajo muestran tres formas distintas de montar la caja eléctrica.



NOTA: Tal vez necesites un tubo bajante más largo para mantener la altura mínima adecuada de las aspas al instalar el ventilador en un techo muy inclinado. El ángulo máximo permitido es 30° desde la horizontal.



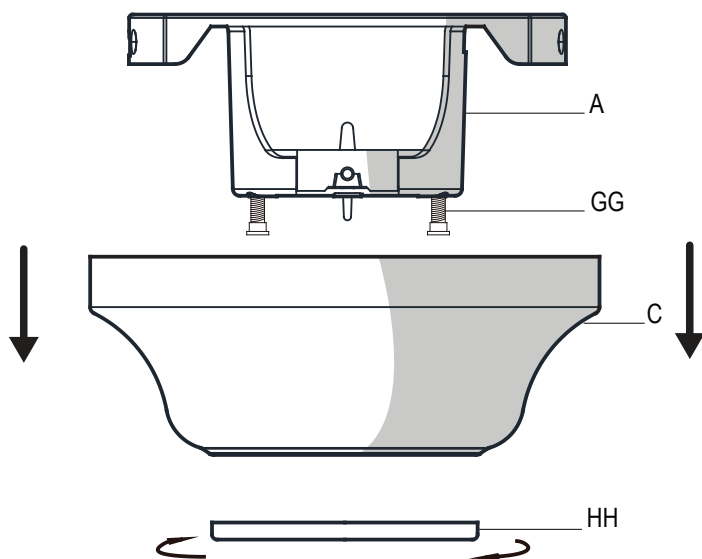
Si la cubierta toca el tubo bajante, retira la tapa inferior decorativa de la cubierta y gira esta última 180° antes de fijarla a la placa de montaje.

Para colgar el ventilador donde haya una lámpara, pero ninguna viga de techo, tal vez necesites una barra colgante como se muestra más arriba (disponible en cualquier tienda de The Home Depot).

Ensamblaje - Montaje estándar en techo

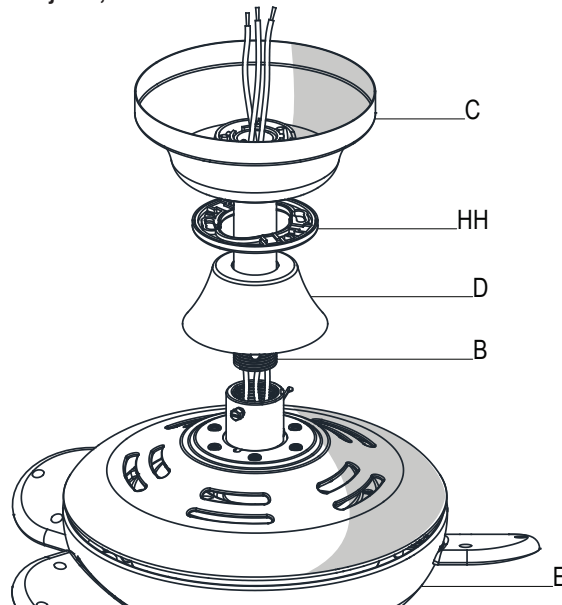
1 Preparación para el montaje

- Retira de la cubierta (C) su tapa (HH) girando la tapa inferior hacia la izquierda hasta liberarla.
- Afloja los dos tornillos de la cubierta (GG) ubicados en la parte inferior del soporte de montaje (A) y gira la cubierta hacia la izquierda para quitar su soporte de montaje (C).



2 Disposición de los cables

- Inserta los cables que salen de la parte superior del conjunto del motor del ventilador (E) a través de la cubierta decorativa del collar del motor y luego del centro de la tapa inferior de la cubierta (HH).
- Asegúrate de que la abertura de la cubierta (C) esté hacia arriba e inserta el tubo bajante/bola (B) a través de ella (C).
- Inserta los cables que salen por la parte superior del conjunto del motor y el ventilador (E) a través del tubo bajante, como se muestra.



3 Cómo ensamblar el ventilador

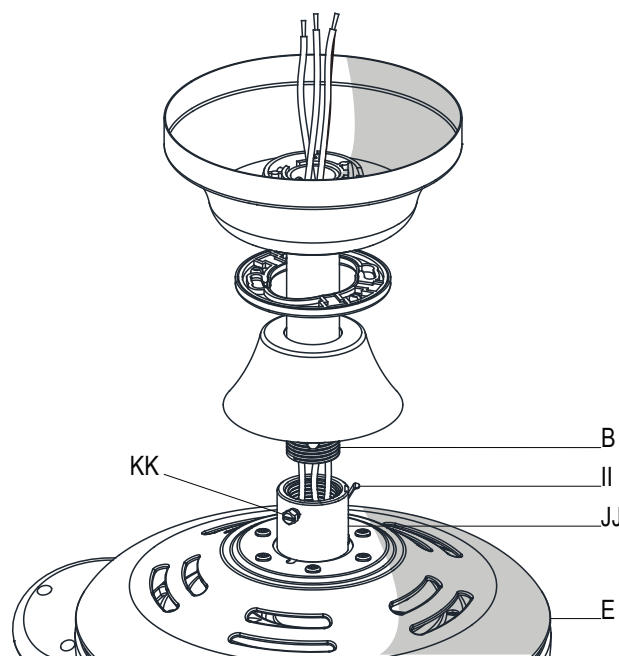


PRECAUCIÓN: Para asegurarte de que no haya oscilación y evitar dañar el ventilador, el tubo bajante (B) y el tornillo de fijación (KK) tienen que quedar completamente ajustados.



NOTA: Este ventilador está equipado con una pestaña de seguridad (II). Si el tornillo de fijación (KK) se afloja mientras el ventilador está funcionando en reversa, la pestaña de seguridad (II) se enganchará y evitará que el ventilador se caiga.

- Afloja, sin quitar, el tornillo de fijación (KK) del collarín (JJ) ubicado en la parte superior del conjunto del motor y el ventilador (E).
- Instala el tubo bajante (B) insertándolo en el collarín del motor (JJ) y girándolo hacia la derecha hasta que quede fijo.
- Vuelve a apretar el tornillo de fijación (KK) del collarín (JJ) en la parte superior del conjunto del motor y el ventilador (E).



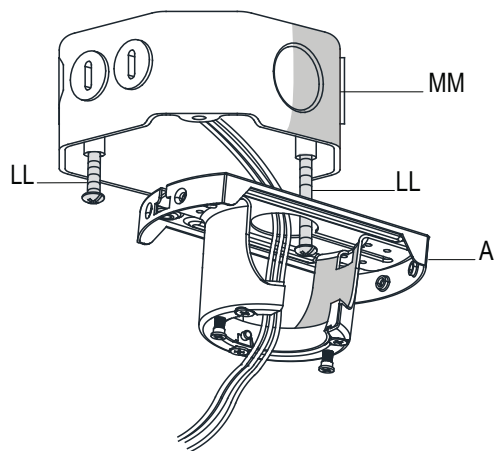
Ensamblaje - Cómo colgar el ventilador

1 Cómo fijar el ventilador a la caja eléctrica



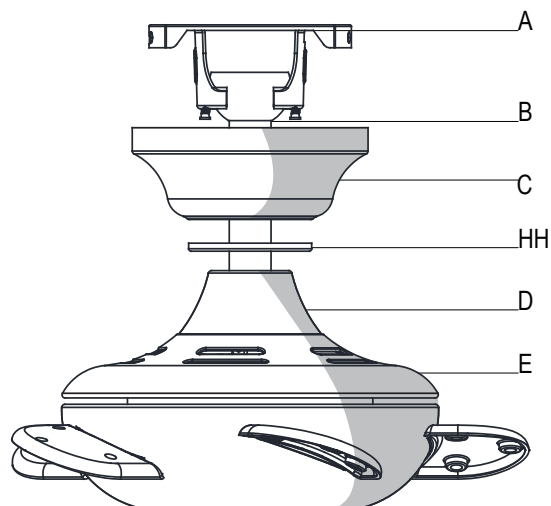
ADVERTENCIA: Para reducir el riesgo de incendio, descarga eléctrica o lesiones personales, instala solo en una caja eléctrica clasificada como "apropiada para sostener ventiladores de 15.9 kg o menos" y usa los tornillos que vienen con ella.

- Pasa los cables de suministro de 120 V a través del orificio central en el soporte de montaje (A).
- Instala el soporte de montaje en techo (A) sobre la caja eléctrica (MM) deslizando el soporte (A) sobre los dos tornillos (LL) incluidos con la caja (MM). Si es necesario, usa arandelas niveladoras (no incluidas) entre el soporte de montaje (A) y la caja eléctrica (MM). Fíjate que el lado plano del soporte de montaje (A) esté apuntando hacia la caja eléctrica (MM).
- Ajusta firmemente los dos tornillos de montaje (LL).



2 Cómo colgar el ventilador

- Levanta con cuidado el conjunto del motor del ventilador (E) hasta el soporte de montaje (A).
- Coloca la bola de soporte del conjunto del tubo bajante/bola (B) en el casquillo del soporte de montaje (A). Asegúrate de que la pestaña sobre el casquillo del soporte de montaje (A) encaje bien dentro de la ranura de la bola de soporte.



Ensamblaje - Cómo colgar el ventilador (continuación)

3 Cómo hacer las conexiones eléctricas



ADVERTENCIA: Cada tuerca para cable incluida con este ventilador está diseñada para sostener cables domésticos de calibre 12 como máximo y dos cables del ventilador. Si tu cableado doméstico tiene calibre mayor de 12 o más de un cable para conectar al cableado del ventilador, consulta a un electricista para saber el tamaño adecuado de las tuercas a usar para los cables.



IMPORTANTE: Usa los conectores de cables plásticos (BB) incluidos con tu ventilador. Sujeta los conectores con cinta de electricista y garantiza que no haya conexiones ni cables sueltos.

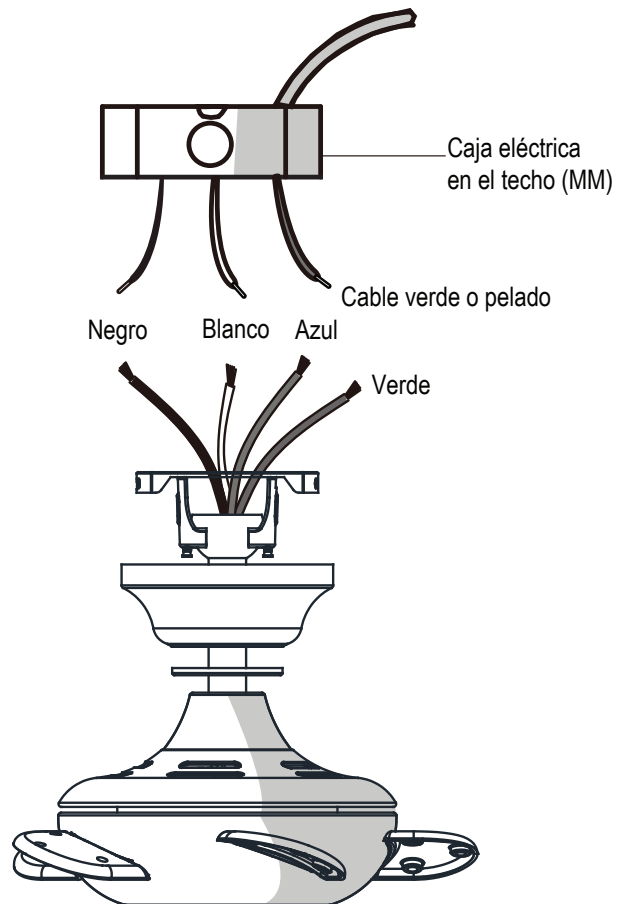


IMPORTANTE: Si luego de este paso decides verificar que las conexiones eléctricas se establecieron exitosamente, es decisivo instalar la caja del interruptor usando el conector rápido. El ventilador funcionará solo si la caja del interruptor está conectada a él.



NOTA: El ventilador viene con cables terminales de 76.2 cm para usar con el conjunto extendido de tubo bajante/bola. Si usas el conjunto de tubo bajante/bola (B) de 15.24 cm incluido, puedes recortar los cables terminales al largo deseado.

- El ventilador viene con cables terminales de 76.2 cm para usar con el conjunto extendido de tubo bajante/bola. Si usas el conjunto de tubo bajante/bola (B) de 15.24 cm incluido, puedes recortar los cables terminales al largo deseado. Esto dejará más espacio en la cubierta (C). Si no quieres cortar los cables, deberás enrollarlos cuidadosamente.
- Conecta los cables verdes del motor del ventilador a los cables verde o pelado del hogar usando una tuerca de conexión de cables (BB).
- Conecta el cable blanco del motor del ventilador al cable blanco del hogar usando una tuerca de conexión de cables (BB).
- Conecta el cable negro del motor del ventilador al cable negro y azul del hogar usando una tuerca de conexión de cables (BB).
- Asegura cada tuerca de conexión de cables con cinta de electricista.
- Gira las tuercas de conexión del cable (BB) hacia arriba y coloca el cableado dentro de la caja eléctrica (MM).



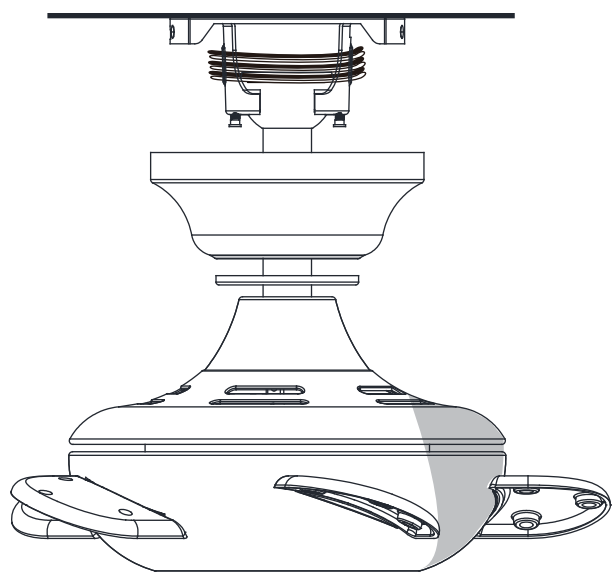
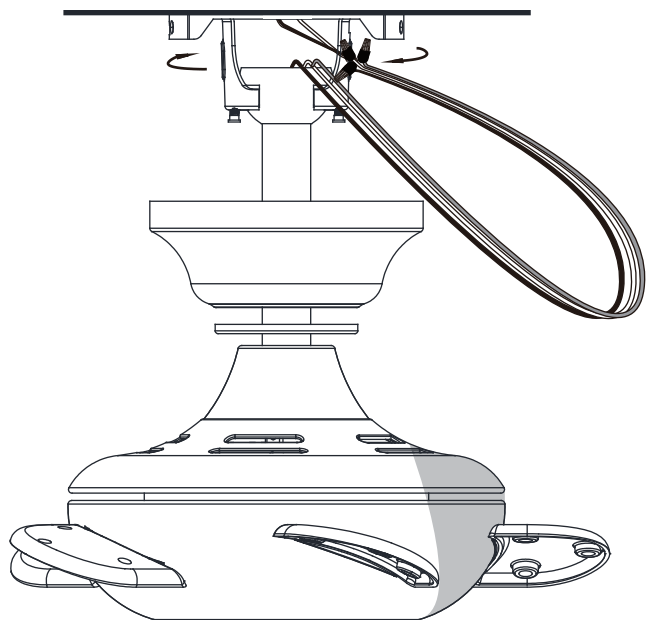
Ensamblaje - Cómo colgar el ventilador (continuación)

4 Cómo enrollar el cable sobrante



NOTA: Sigue estos pasos SOLO si no cortaste el cable sobrante del ventilador de techo.

- Con cuidado, enrolla el exceso de cable alrededor del soporte de montaje.
- Asegura con cinta de electricista.

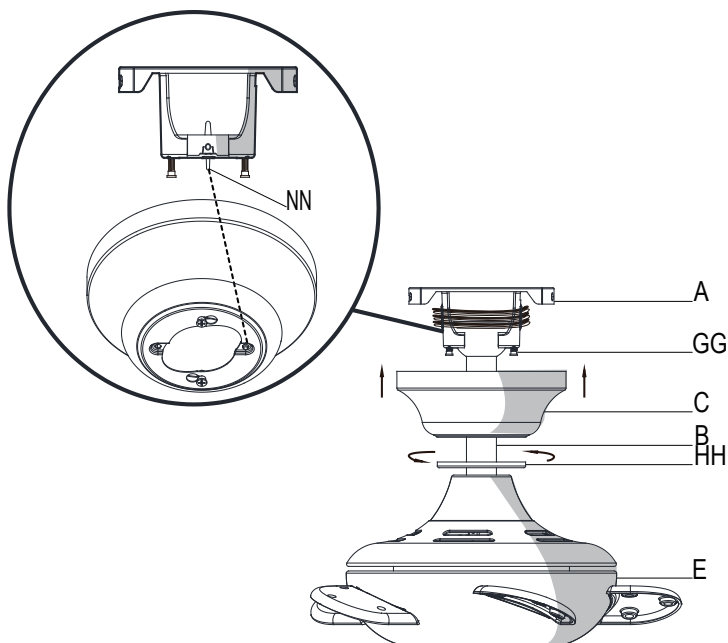


5 Cómo montar el conjunto del motor del ventilador (montaje estándar)



ADVERTENCIA: Cuando uses el montaje estándar del tubo bajante/bola, la pestaña en el aro en la parte inferior del soporte de montaje tiene que encajar en la ranura de la bola de soporte. Si la pestaña no se asienta correctamente en la ranura, se puede dañar el cableado.

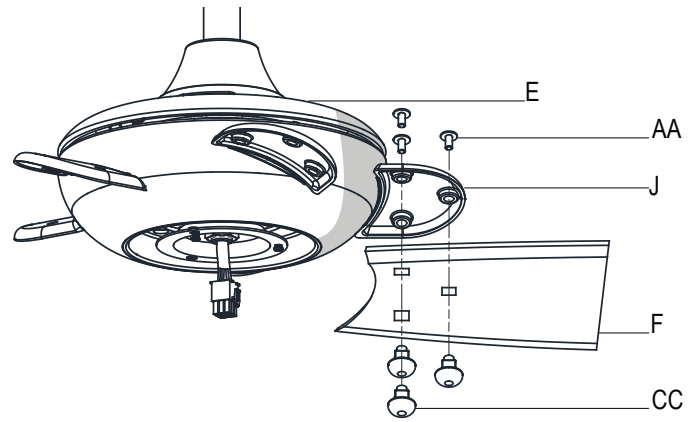
- Alinea las ranuras de cierre de la cubierta (C) con los dos tornillos (GG) y el poste de alineación (NN) del soporte de montaje (A).
- Empuja hacia arriba la cubierta (C) y gira hacia la derecha hasta que el poste de alineación (NN) se enganche en el orificio redondo y los tornillos (GG) se enganchen en las ranuras tipo ojo de cerradura.
- Ajusta firmemente los dos tornillos de montaje (GG).
- Instala la tapa inferior decorativa (HH) alineando las ranuras de la tapa con los tornillos en la parte inferior de la cubierta (C). Gira la tapa inferior hacia la derecha para fijarla en su lugar.



Ensamblaje - Cómo colgar el ventilador (continuación)

6 Cómo fijar las aspas del ventilador

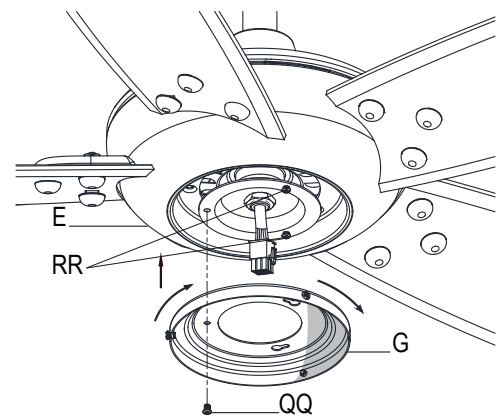
- Monta el aspa (F) en su soporte (J) usando las tuercas decorativas (CC) y los tornillos para montarla (AA) incluidos. Inserta un tornillo de montaje de aspa (AA) a través del orificio del aspa (F) y su soporte (J) y en la tuerca decorativa (CC). Repite estos pasos para los otros dos orificios del aspa (F).
- Aprieta firmemente todos los tornillos (AA).
- Repite estos pasos con las aspas restantes.



Ensamblaje - Cómo montar los accesorios

1 Cómo instalar el adaptador de la caja del interruptor

- Quita un tornillo (QQ) del soporte negro debajo del conjunto del motor y el ventilador (E). Afloja pero no quites los otros dos tornillos (RR).
- Alinea los orificios de las ranuras en el adaptador de la caja del interruptor (G) con los dos tornillos (RR) en el soporte negro.
- Gira el adaptador de la caja del interruptor (G) hacia la derecha hasta que los dos tornillos (RR) estén colocados en el extremo angosto de los orificios.
- Reinstala el tornillo (QQ) que retiraste en el primer paso. Aprieta firmemente los tres tornillos.



2 Cómo instalar la caja del interruptor

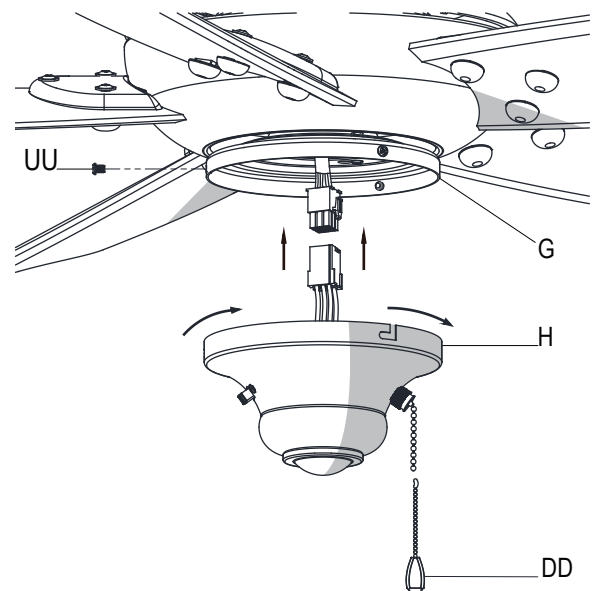


PRECAUCIÓN: Para disminuir el riesgo de descarga eléctrica, desconecta el circuito de energía del ventilador antes de instalar la caja del interruptor.



IMPORTANTE: Es decisivo instalar la caja del interruptor usando el conector rápido. El ventilador funcionará solo si la caja del interruptor está conectada a él.

- Quita un tornillo (UU) del adaptador de la caja del interruptor (G). Afloja pero no quites los otros dos tornillos (UU).
- Conecta el enchufe del adaptador moldeado de la caja del interruptor (H) con el adaptador moldeado del conjunto del motor del ventilador (E).
- Alinea los orificios en forma de "L" (H) en la caja del interruptor con los tornillos en el adaptador de la caja (G). Gira la caja del interruptor (H) para fijarla en su lugar.
- Instala el otro tornillo (UU) que retiraste en el primer paso. Aprieta firmemente los tres tornillos (UU).
- Instala las extensiones de las cadenas de interruptores (DD) incluidas a los interruptores de cadena del ventilador.



Cómo usar tu ventilador

Cómo usar el ventilador



NOTA: Espera a que se detenga el ventilador antes de invertir el sentido de giro de las aspas.

Enciende la fuente de electricidad y verifica el funcionamiento del ventilador; el interruptor de cadena controla las velocidades del ventilador de la siguiente manera:

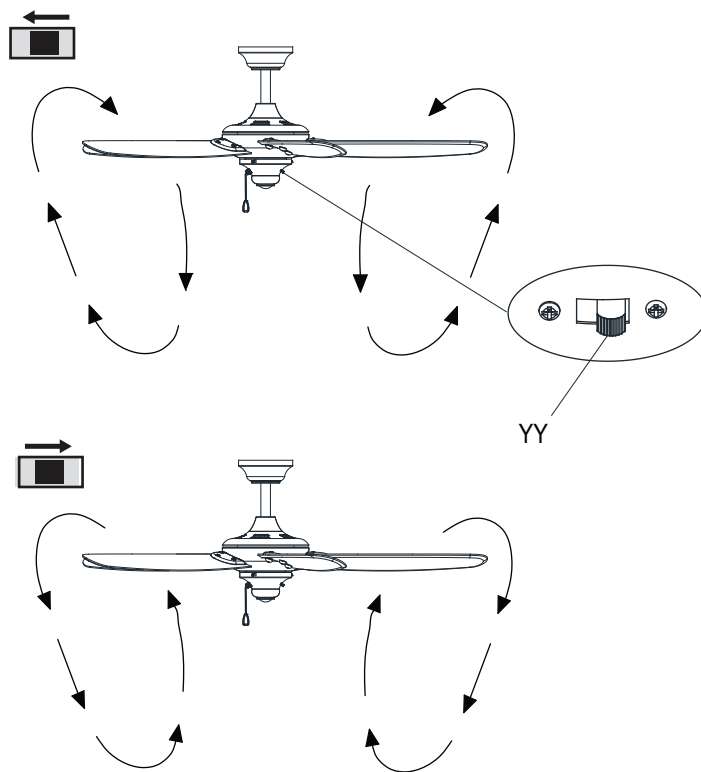
1 vez: alta, 2 veces: media, 3: baja y 4: apagado.

Las configuraciones de velocidad para clima cálido o frío dependen de factores como el tamaño de la habitación, la altura del techo y la cantidad de ventiladores.

El interruptor deslizante controla (YY) el sentido de giro de las aspas: hacia adelante (hacia la izquierda) o en reversa (hacia la derecha).

Clima cálido: (Hacia adelante) Un flujo de aire descendente surte un efecto refrescante. Esto te permite fijar el aire acondicionado en configuración más alta sin afectar tu comodidad.

Clima frío - (Reversa) Un flujo de aire hacia arriba desplaza el aire cálido lejos del techo. Esto te permite fijar la unidad de calefacción en configuración más baja sin afectar tu comodidad.



Mantenimiento y limpieza



ADVERTENCIA: Asegúrate de que la fuente de corriente está apagada antes de limpiar el ventilador.

- Debido al movimiento natural del ventilador, algunas conexiones pueden aflojarse. Revisa dos veces al año las conexiones de soporte, los soportes y los accesorios de las aspas. Comprueba que estén seguros. No es necesario desmontar el ventilador del techo.
- Limpia el ventilador con frecuencia para que luzca como nuevo al paso de los años. No uses agua al limpiar. Esto puede dañar el motor o la madera e incluso provocar descarga eléctrica. Usa solo un cepillo suave o un paño sin pelusas para evitar arañar el acabado.
- Puedes aplicar a la madera una fina capa de pulimento para muebles y dar así más protección y belleza. Cubre los arañazos pequeños con una leve aplicación de lustrador para calzado.
- No necesitas lubricar el ventilador. El motor tiene cojinetes de bola sellados y permanentemente lubricados.

Solución de problemas

Problema	Solución
El ventilador no enciende	<ul style="list-style-type: none"><input type="checkbox"/> Verifica los fusibles o disyuntores principales y secundarios.<input type="checkbox"/> Verifica las conexiones de cables en línea al ventilador y las conexiones de cables del interruptor en la caja de interruptores.<input type="checkbox"/> Revisa la batería del control remoto.<input type="checkbox"/> Asegura que estés en el rango normal de 3 a 6 metros.<input type="checkbox"/> Recuerda desconectar la electricidad antes de verificar las configuraciones del interruptor.
El ventilador hace ruido	<ul style="list-style-type: none"><input type="checkbox"/> Asegúrate de que todos los tornillos de la carcasa del motor estén bien ajustados.<input type="checkbox"/> Asegúrate de que los tornillos que unen el soporte de aspa al cuerpo del motor estén bien apretados.<input type="checkbox"/> Asegúrate de que las conexiones de tuerca de cable no choquen unas con otras ni con la pared interior de la caja del interruptor.<input type="checkbox"/> Deja que transcurra un período de “adaptación” de 24 horas. En ese período desaparecen la mayoría de los ruidos asociados a un ventilador nuevo.<input type="checkbox"/> Si usas el kit de luces de ventilador de techo, asegúrate de que los tornillos que sujetan el vidrio estén bien apretados. Verifica que las bombillas también estén aseguradas.<input type="checkbox"/> Asegúrate de que la cubierta esté a corta distancia del techo. No debe tocar el techo.<input type="checkbox"/> Asegúrate de que la caja eléctrica esté bien segura y que las almohadillas aislantes de goma se hayan instalado entre la placa de montaje y la caja eléctrica.
El ventilador oscila	<ul style="list-style-type: none"><input type="checkbox"/> Verifica que todas las aspas y los tornillos de los brazos de aspas estén asegurados.<input type="checkbox"/> La mayoría de los problemas de oscilación del ventilador se deben a que las aspas no están al mismo nivel. Verifica este nivel seleccionando un punto en el cielo raso sobre la punta de una de las aspas. Mide desde un punto en el centro de cada aspa a un punto en el techo. Rota el ventilador hasta que la siguiente aspa esté en posición para medir y mide desde el mismo punto en cada aspa hasta el cielo raso. Repite el procedimiento para cada aspa. Las desviaciones de la medición no deben pasar de 0.3 cm. Deja que el ventilador funcione diez minutos. Si el ventilador continúa oscilando, comunícate con el servicio al cliente de Home Decorators Collection y te enviarán un kit de compensación de aspas, sin costo alguno.

HOME DECORATORS COLLECTION

¿Preguntas, problemas o piezas faltantes? Antes de devolver a la tienda,
llama al servicio al cliente de Home Depot, de lunes a viernes,
entre 8:00 a.m. y 6:00 p.m. (Hora Estándar del Este)

1-800-986-3460

[HOMEDEPOT.COM/HOMEDECORATORS](https://www.homedepot.com/homedecorators)

Conserva este manual para uso futuro.