

**LIFAN
POWER
USA**

WWW.LIFANPOWERUSA.COM

ENERGY STORM



Model ESI-860i

Operating Instructions & Owners' Manual

Please read this manual carefully before operating your new inverter generator.
(CA) in the model number designated California Compliant by CARB 10/18/2017





OPERATING INSTRUCTIONS AND OWNER'S MANUAL

**Energy Storm Series
ESI-860i**

**PLEASE KEEP AND READ THIS MANUAL
CAREFULLY BEFORE OPERATING YOUR NEW
LIFAN POWER USA DIGITAL INVERTER
GENERATOR**

RECORD PURCHASE HERE

MODEL # _____

ENGINE ID # _____

DATE OF PURCHASE _____

PURCHASE LOCATION _____



**-CA INDICATES THIS UNIT IS
CARB CERTIFIED**



ATTENTION: Rental Companies and Private Owners who loan this equipment to others!

All persons to whom you rent/loan this inverter generator must have access to and read this manual. Keep this owner's manual with the inverter generator at all times and advise all persons who will operate the machine to read it. You must also provide personal instruction on how to safely set-up and operate the inverter generator and remain available to answer any questions a renter/borrower might have.

Only Trained Adults should set up and operate this equipment. **DO NOT LET CHILDREN OPERATE THIS EQUIPMENT!**

Always wear safety apparel when operating this equipment, safety glasses, ear protection, insulated waterproof gloves, and non-slip protective shoes are recommended. When using any cleaning chemicals refer to the chemical label for safety instructions concerning those chemicals for use of a respiration mask.

Never operate or let anyone operate this equipment while under the influence of any alcohol, drugs, or medication or when fatigued.

Owner's Manuals are available from Lifan Power USA at 1-866-471-7464.



LIFAN POWER USA



WARNING

SPECIAL HAZARDS

- CO Poisoning: Exhaust from engine contains carbon monoxide, a poisonous gas that can cause carbon monoxide poisoning and possible death if inhaled.
- Electric shock: Operating equipment in wet conditions or near water can cause electric shock.
- Chemical Exposure: Cleaning chemical vapors or contact with skin may be hazardous.
- Fire/Explosion: Engine sparking can ignite fuel or other flammable liquids or vapors in the vicinity. Hot exhaust from engine can ignite combustible materials.
- Burns: Generator engine is a hot surface that can cause burn injuries.

EQUIPMENT PROTECTION FACTS

Inspect Upon Delivery: FIRST! Inspect for missing or damaged components. See “Initial Set-Up/Installation” section for where to report missing or damaged parts.

Add Engine Oil: Engine is shipped **without oil**. See the “Engine Manual” section of this manual for instructions on capacity and viscosity recommendations.

Maintenance Schedule: Engine requires periodic inspection and servicing to keep generator functioning efficiently. See “Maintenance Schedule Summary” for frequency of servicing.



LIFAN POWER USA

TABLE OF CONTENTS

Preface	6	Operation of Generator	22
Product Specifications	7	Maintenance	25
Safety Instructions	8	Transporting the Unit	30
Controls and Features	11	Storing the Unit	30
PRE-OPERATING INSTRUCTIONS		Troubleshooting	32
Assembly	15	Safety	33
Engine Oil Level Check		Wattage Chart	34
Engine Fuel Level Check		Limited Warranty Policy	38
Air Cleaner Element Check			

PLEASE READ THE FOLLOWING INSTRUCTIONS!

1. Unit Shipped without engine oil. See Preoperating Instructions for further information.
2. For repair under Warranty or questions concerning Warranty, DO NOT RETURN this product to the Store where purchased. Follow the procedures as outlined in the "WARRANTY POLICY" and "WARRANTY REGISTRATION" in the Owner's Manual. For any questions visit www.lifanpowerusa.com or call 1-866-471-7464, Option 2 (Warranty and Service).
3. Read the "Owner's Manual" prior to operating any equipment and familiarize yourself with the Proper and safe operation of the equipment. If you have any questions, visit www.lifanpowerusa.com or call 1-866-471-7464, Option 2 (Warranty and Service).



LIFAN POWER USA

PREFACE

Thank you for choosing LIFAN Power USA for your Power Equipment needs. LIFAN Power USA prides itself on providing quality products at affordable pricing, creating the “Best Equipment Value on Today’s Market!”

Your Digital Inverter Generator utilizes our Industrial Grade Gasoline Engines and is intended for OUTDOOR USE ONLY.

All LIFAN Power USA products are manufactured utilizing the latest technology. Built with quality components, your new Power Equipment Product will give you years of dependable service. Your unit, along with all of LIFAN Power USA products are designed, engineered, and manufactured with LIFAN’s Industrial Grade Gasoline Engine.

This Owner’s Manual will provide you with all of your needed information for your new Power Equipment Product, including Safe Operation and Maintenance of your unit. Please keep and read this Owner’s Manual completely and carefully prior to operation. Keep this Owner’s Manual for assistance in the future, such as proper maintenance schedules and tips to prolong the life and effective use of your unit. If you require assistance, please visit our website (www.lifanpowerusa.com) or call toll free 866-471-7464 Option 2, Warranty and Service.

This Owner’s Manual contains information with respect to the newest products at the time of publication. Due to revision and modifications, the information noted in the Owner’s Manual might vary from the actual status. This Owner’s Manual is subject to change without notice. The copyright of the Owner’s Manual belongs to EquipSource, LLC. Any group or individual is forbidden to reprint or copy any of this Owner’s Manual without the written consent of EquipSource, LLC.

FOR ALL WARRANTY AND SERVICE RELATED ISSUES/QUESTIONS DO NOT RETURN YOUR UNIT TO THE STORE OR DEALER WHERE THE ITEM WAS PURCHASED. FOR SERVICE VISIT LIFAN POWER USA’S WEBSITE (WWW.LIFAN-POWERUSA.COM) OR CALL 1-866-471-7464 Option 2, Warranty and Service. WE WILL BE HAPPY TO HANDLE YOUR WARRANTY ISSUE OR DIRECT YOU TO THE NEAREST “AUTHORIZED SERVICE CENTER.”



LIFAN POWER USA

PRODUCT SPECIFICATIONS

ESI 860i-CA

Voltage	120V AC & 12V DC
AC Surge Output¹	600 Watts
Rated AC Output²	500 Watts
Maximum AC Amperage	8 amps
AC Cycle	60Hz
12V 8.3amp DC Receptacle	1 ea.
120V 20amp AC Receptacle	1 ea.
120V 30amp AC Receptacle	N/A
Sine Wave Distortion	2% or Less
Auto Idle Feature	Power On Demand
AC Overload	Yes
Exhaust Spark Arrestor	Yes
Parallel "Duo-Power" Ready	N/A

ENGINE

Manufacturer	FME
Model	XG139B
Engine Displacement	40cc
Starting System	Recoil
Remote Start	N/A
Fuel Tank Capacity	0.4 gallon
Fuel Gauge	N/A
Run Time (at max load)	5 hours
Sound Level (@ 7m / 23ft.)	60db
Engine Type	4-Stroke OHV
Fuel Type	Automotive Grade Unleaded Gasoline
Fuel Compliance	10% Ethanol Mix or less
Oil Type & Amount	SAE 10w30w 20oz.
Low Oil Shutoff Protection	Yes
CARB Certified	50 State & Canada Compliant

ACCESSORIES

12V Cord, Plug & Clips	1 ea.
Mobility / Wheel Kit	N/A





LIFAN POWER USA

SAFETY INSTRUCTIONS



This is the safety alert symbol. It is used to alert you to potential personal injury hazards. Obey all safety messages that follow this symbol to avoid possible injury or death.

For your safety, read this manual carefully. Become familiar with the proper operation, care, and maintenance of your Stanley product.

The safety and alert symbol (⚠) is used with a signal word (CAUTION, DANGER, WARNING), a pictorial and/or safety message to alert you to hazards.

CAUTION indicates a hazard which, if not avoided, could be harmful, or might result in minor or moderate injury.

DANGER indicates a hazard which, if not avoided, will result in death or serious injury.

WARNING indicates a hazard which, if not avoided, could result in death or serious injury.

HAZARD SYMBOLS AND MEANINGS



EXPLOSION



FIRE



ELECTRIC SHOCK



TOXIC FUMES



HOT SURFACE



KICKBACK

⚠ DANGER	
Using a generator inside CAN KILL YOU IN MINUTES	
Generator exhaust contains carbon monoxide. This is a poison that you cannot see or smell.	
<p>NEVER use inside a home or garage, EVEN IF doors and windows are open.</p>	<p>Only use OUTSIDE and far away from windows, doors and vents.</p>
Avoid other generator hazards, READ MANUAL BEFORE USE	

⚠ DANGER	
El uso de un generador en el interior PUEDE MATARLO EN POCOS MINUTOS. El escape del generador contiene monóxido de carbono. Esto es tóxico y do debe verio u olerio.	
<p>NUNCA utilice dentro de una casa o un garaje, AÚN cuando las ventanas y las puertas estén abiertas</p>	<p>Utilice únicamente en el EXTERIOR y lejos de ventanas, puertas o rejillas de ventilación.</p>

⚠ DANGER	
L'utilisation d'une génératrice à l'intérieur PEUT VOUS TUER EN QUELQUES MINUTES. Les gaz d'échappement de la génératrice peuvent contenir du monoxyde de carbone, un poison que vous ne pouvez pas voir ni sentir.	
<p>NE JAMAIS utiliser a l'intérieur d'une maison ou d'un garage, MEME SI les portes et fenêtres sont ouvertes.</p>	<p>Utiliser uniquement à l' EXTERIEUR et loin des fenêtres, portes et ouvertures d'aération.</p>

	WARNING	
Fuel and its vapors are extremely flammable and explosive. Fire or explosion can cause severe burns or death.		



LIFAN POWER USA



WARNING

Running generator emits **carbon monoxide**: an odorless, colorless, **poisonous gas**. Breathing carbon monoxide can cause **nausea or death!**



ONLY operate generators outdoors.

Exhaust gas must be prevented from entering confined areas.

Direct exhaust gas away from windows, doors, ventilation, and other openings.

Do not operate this generator inside or under any buildings.



WARNING

The engine exhaust from this generator contains chemicals known to the state of California to cause birth defects, reproductive harm, and cancer.



WARNING

Rapid recoil of starter cord (kickback) may pull hand and arm forward toward engine at a rapid rate. Broken bones, bruises, sprains, and fractures may result.

WHEN ADDING OR DRAINING FUEL

- Turn inverter generator off and let it cool for at least three minutes before removing fuel cap. Loosen cap slowly in order to relieve pressure in the fuel tank.
- Fill or drain fuel tank outdoors. Do not excessively inhale fuel vapors.
- Keep away from open flames or sparks and other sources of ignition.
- Do NOT smoke while filling fuel tank.
- Do NOT overfill tank. Allow space for fuel expansion.

WHEN TRANSPORTING OR REPAIRING EQUIPMENT

- Transport inverter generator with the fuel valve in the off position.
- Repair inverter generator with the fuel tank empty or the fuel valve in the off position.
- Disconnect spark plug wire before transport or service.

WHEN STORING FUEL OR EQUIPMENT CONTAINING FUEL

- Store away from furnaces, stoves, water heaters, clothes dryers or other appliances that have pilot light or other ignition source because they can ignite fuel vapors.

WHEN STARTING EQUIPMENT

- Ensure spark plug, muffler, air cleaner, and fuel cap are in place.
- Do NOT crank engine with spark plug removed.
- If fuels spills, wait until it evaporates before starting engine.

WHEN OPERATING EQUIPMENT

- Do NOT choke carburetor to stop engine.
- Do NOT tip engine or equipment at an angle, which causes fuel to spill.



LIFAN POWER USA



WARNING



**While engine is running
temperature may exceed
150°F (65°C).
Severe burns may occur.**



WARNING



**Unintentional sparking
can result in fire or
electrical shock.**

CAUTION!

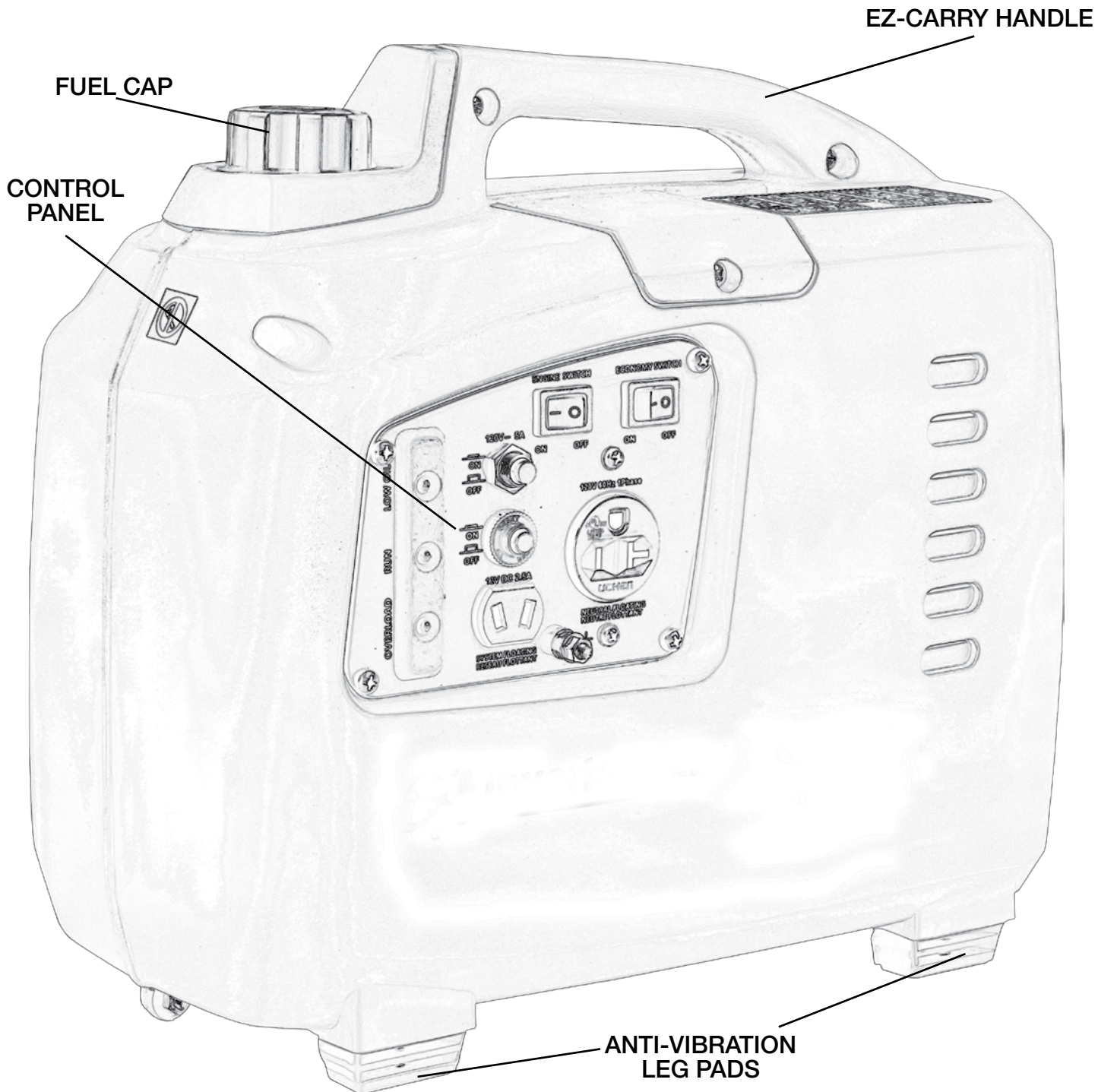
Improper use and care of this inverter generator will cause damage and shorten its lifespan. Failure to follow these actions will void all warranties.

- Use inverter generator only for appropriate and designated purposes.
- The dealer or customer helpline (1-866-471-7464) can instruct you on intended uses.
- Inverter generator must be placed on a level surface.
- Do NOT expose inverter generator to extreme conditions. Excessive dust, moisture, and corrosive vapors will damage unit.
- Engine cooling slots must be kept clear of debris.
- Shut off inverter generator and take to a qualified service center if the unit fails to operate properly.



LIFAN POWER USA

CONTROLS AND FEATURES

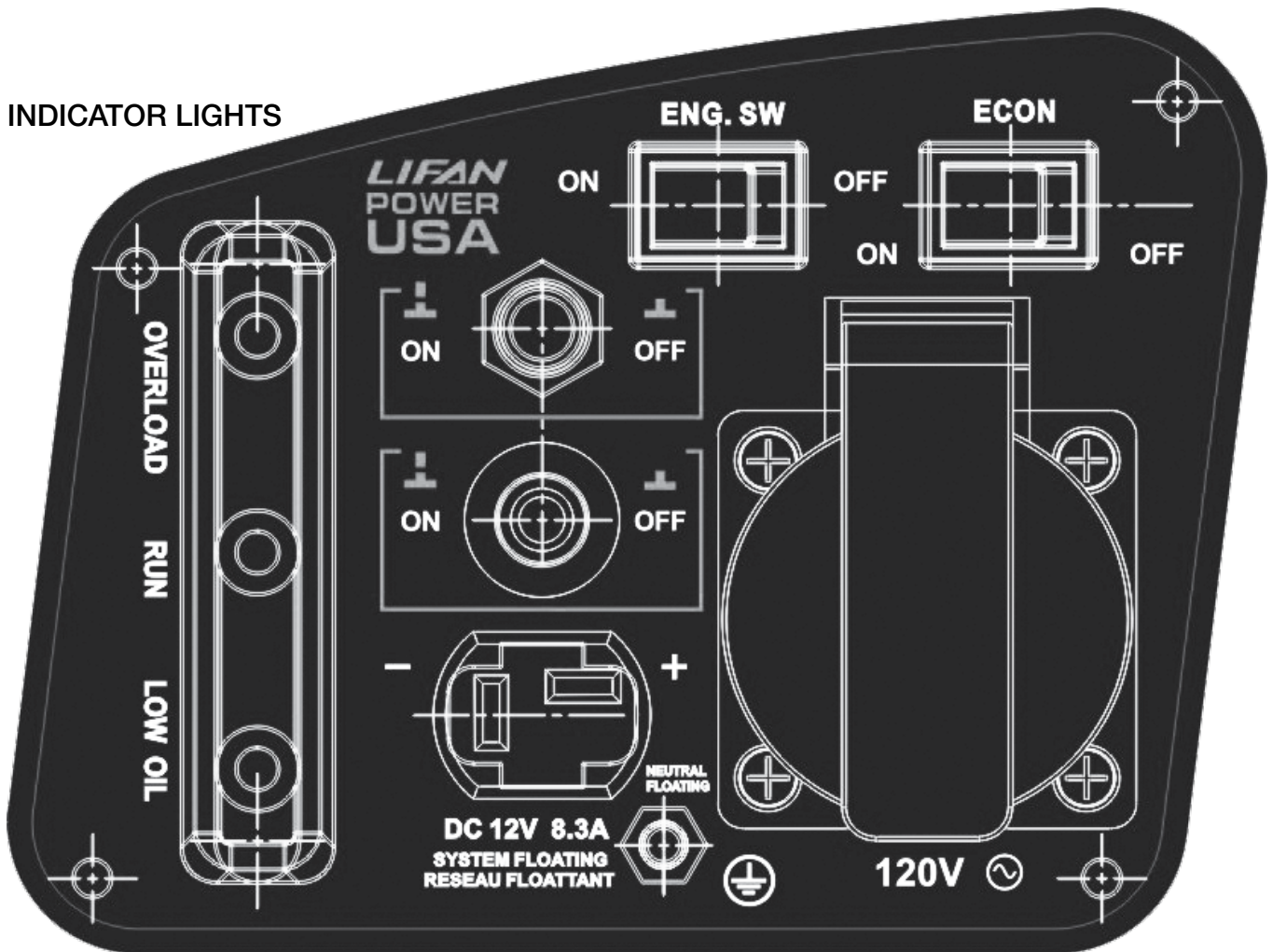




LIFAN POWER USA

CONTROLS AND FEATURES

INDICATOR LIGHTS



NEUTRAL
GROUND
TERMINAL



LIFAN POWER USA

PRE-OPERATING INSTRUCTIONS: ASSEMBLY



UNPACKING THE GENERATOR:

1. Set the Carton on a Flat, Rigid Surface.
2. Remove All Contents from Carton EXCEPT Inverter Generator.
3. Open Box Completely by lifting box cover.
4. Carefully lift the Inverter Generator off the remaining box and onto the Flat, Rigid Surface.

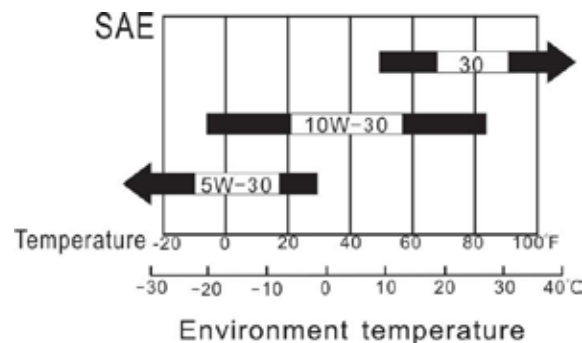
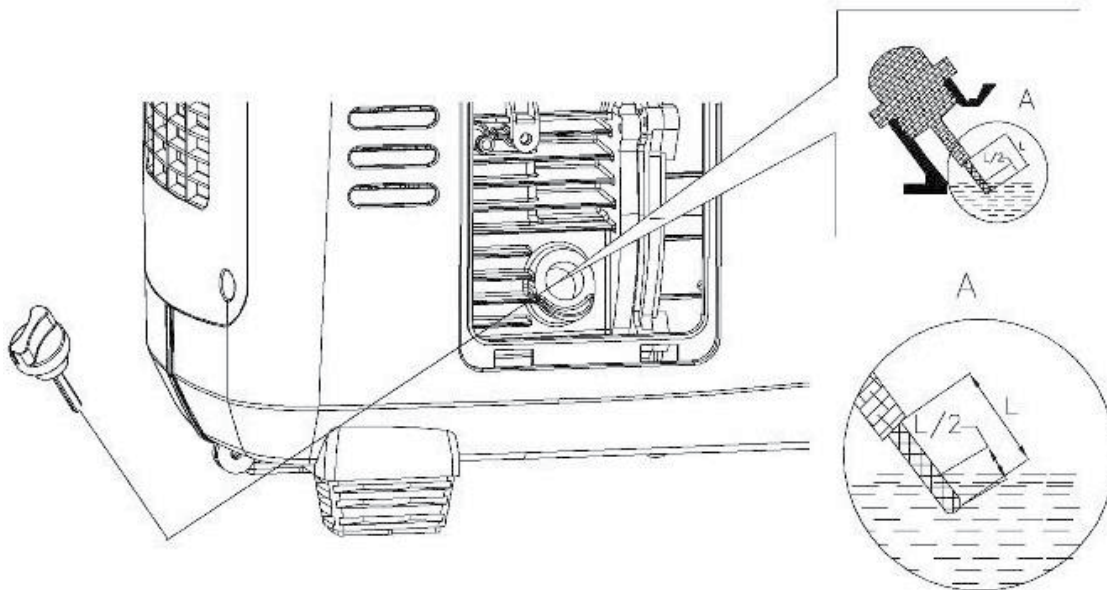


PRE-OPERATING INSTRUCTIONS: SETUP

CAUTION: Any attempt to start the generator before it has been properly serviced may result in engine failure and void warranty.

ADD ENGINE OIL: Refer to the diagrams below.

1. Place generator on level surface.
2. Remove the Access Panel (Refer to Controls and Features section).
3. Clean area around Oil Hole Dipstick/Plug & Unscrew Oil Hole Dipstick/Plug.
4. Use Supplied Funnel to fill with appropriate type and amount of oil using Oil Fill Bottle. Refer to Chart below for recommended oil type based on Environmental temperature. NOTE: Refer to "Product Specifications" section for universal recommended oil type and oil amount.
5. Replace Oil Hole Dipstick/Plug and tighten securely.





LIFAN POWER USA

PRE-OPERATING INSTRUCTIONS: SETUP



WARNING



Fuel and its vapors are extremely flammable and explosive. Fire or explosion can cause severe burns or death.

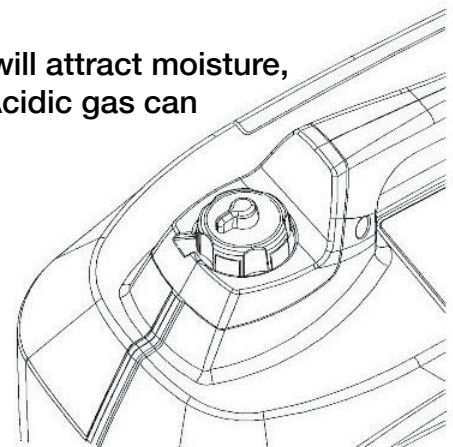
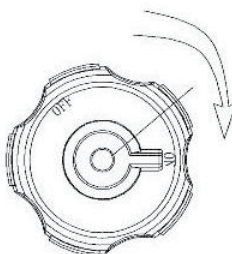
WHEN ADDING FUEL

- Turn generator off and let it cool for a minimum of three minutes before removing fuel cap.
- Turn and remove cap slowly in order to relieve residual tank pressure.
- Always fill the fuel tank with the unit outdoors.
- DO NOT overfill tank. Allow room for fuel expansion.
- Keep fuel away from sparks, open flames, heat, pilot lights, and other ignition sources.

ADD FUEL: Refer to Controls and Features section for diagrams.

1. Clean area around fuel cap, then remove fuel cap.
2. Pour fresh, clean regular automotive grade unleaded fuel with a minimum octane rating of 85 into fuel tank. Do NOT mix fuel with oil. Fuel must have ethanol blend of 10% or less. Pay close attention to the storage requirements of these fuels. Do NOT overfill fuel tank.
3. Install the fuel cap. Rotate the fuel cap clockwise until it is in its locked position. Wipe away any spilled fuel.
4. Open vent on gas cap

CAUTION: Alcohol-blended fuels (gasohol, ethanol, or methanol) will attract moisture, which leads to separation and formation of acids during storage. Acidic gas can damage the fuel system of an engine while in storage. To avoid engine problems, the fuel system should be treated with a fuel stabilizer or drained if the generator will not be started for thirty (30) days. If using a fuel stabilizer, follow the manufacturer's recommended instructions for use.





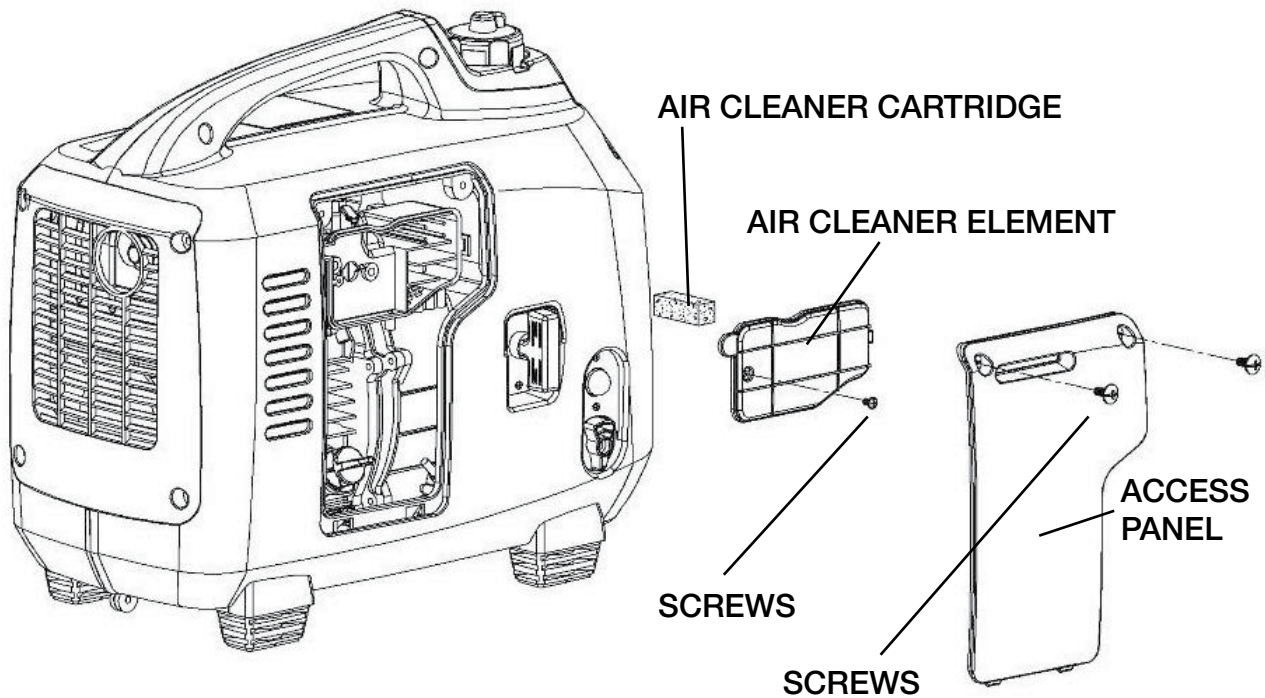
LIFAN POWER USA

PRE-OPERATING INSTRUCTIONS: SETUP

CAUTION: Any attempt to start the generator before it has been properly serviced may result in engine failure and void warranty.

CHECK AIR CLEANER ELEMENT: Refer to diagram below.

1. Remove the Left Access Cover (Refer to Controls and Features section).
2. Remove the Air Cleaner Case.
3. Pull out the Air Cleaner Cartridge, following the direction of the arrow.
4. Reinstall the Air Cleaner Element.
5. Reinstall the Air Cleaner Case.
6. Reinstall the Left Access Cover.

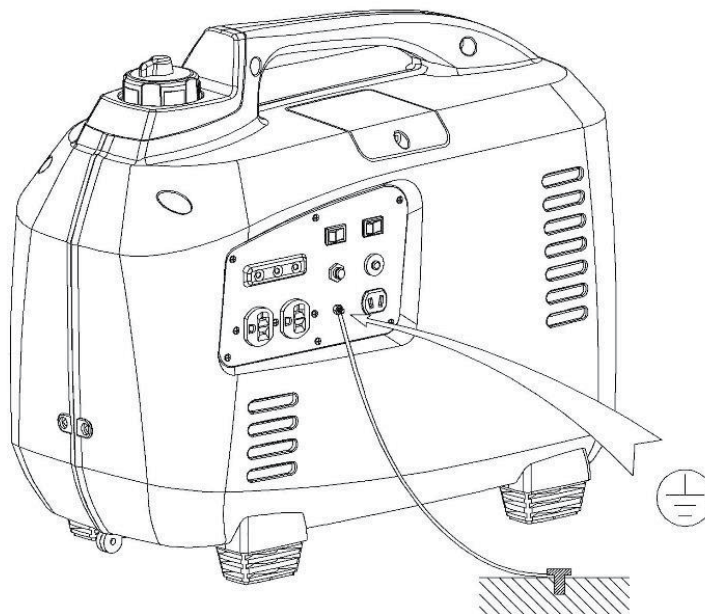


LIFAN POWER USA

PRE-OPERATING INSTRUCTIONS: SETUP

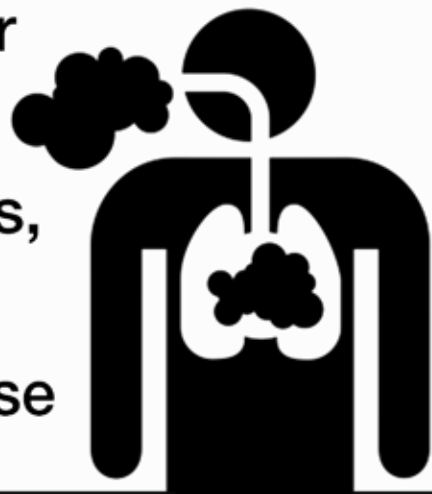
GROUNDING THE GENERATOR: Refer to the diagram below.

1. Connect the Ground Terminal on the generator to an acceptable source of electrical ground, such as a copper-grounding stake, using copper electrical wire with a minimum diameter of 16 gauges.



WARNING

Running generator emits **carbon monoxide**: an odorless, colorless, **poisonous gas**. Breathing carbon monoxide can cause **nausea** or **death!**





WARNING



WARNING

- To prevent electrical shock from faulty appliances, the generator should be grounded. Connect a length of heavy cable between the generator's grounding terminal and an external ground source.
- This generator is not intended, nor designed, for use as a standby power supply, or to be connected to an automatic transfer switch (ATS); it should never be used as such. Severe property damage and/or severe personal injury or death may result. Such back feed may electrocute utility company workers or others who contact the lines during a power outage. When utility power is restored the generator may explode, burn, or cause fires in the building's electrical system.



CAUTION

- Indoor use of a generator can kill quickly. Generators should be used outdoors only.
- The total wattage of all appliances connected must be considered.
- Do not exceed the current limit specified for any one receptacle.
- Do not connect the generator to a household circuit. This could cause damage to the generator or to electrical appliances in the house.
- Do not modify or use the generator for purposes other than its intended use.
- Do not connect an extension to the exhaust pipe.
- When an extension cord is required, be sure to use a rubber sheathed flexible cord. Also be sure to use the proper size and length cord.
 - 16 Gauge Cords - a 16 gauge cord between 0 and 100 feet long will safely handle tool and appliance loads up to 10 amps.
 - 14 Gauge Cords - a 14 gauge cord between 0 and 50 feet long will safely handle tool and appliance loads between 10 and 15 amps.
 - 12 Gauge Cords - a 12 gauge cord between 50 and 100 feet will safely handle tool and appliance loads between 10 and 15 amps.



LIFAN POWER USA



WARNING

- Only operate generator outdoors.
- Prevent exhaust gas from entering, through windows doors or ventilation intakes, any confined areas.
- DO NOT operate generator inside any enclosed or roofed areas. This includes the generator compartment of any recreational vehicle (RV).
- Keep the generator away from other electric cables or wires such as commercial power supply lines.
- The DC receptacle (in the Battery Charge section of the control panel) can be used while the AC power is in use. If you use both at the same time, be sure not to exceed the total power for AC and DC.
- Most appliance motors require more than their rated wattage for start-up.
- It is normal for the run time indicator to have 1-2 hours on the meter from the factory for testing and quality assurance inspections.
- This generator uses a system ground which connects the ground terminals in the AC receptacles on the control panel to the unit frame. The AC neutral wire is not connected to the system ground. If you check the receptacles on this generator with a receptacle tester, the ground circuit condition will appear different than it would for a receptacle in your home.



CAUTION

Never start or shutoff the generator with electrical loads connected and in the operational mode (on switch activated).

1. Unplug all electrical loads from the generator.
2. Make sure the generator is in a level position.

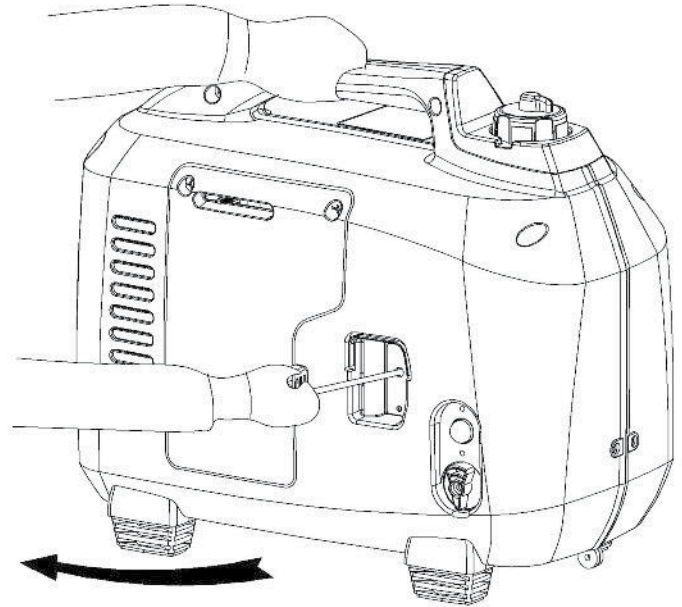


LIFAN POWER USA

PULL-START (RECOIL) MODELS

Your ESI 860i-CA is recoil Start.

3. Place the ignition switch in the "ON" (I) position
4. Grasp starter handle and pull slowly until resistance is felt. Then pull the cord rapidly with a full arm stroke. Allow the rope to return slowly. Do NOT allow the rope to snap back against housing.



OPERATION OF GENERATOR CONNECTING ELECTRICAL LOADS

1. Ensure engine is started and Green power Indicator Light illuminates before plugging in any electrical appliance.
2. Plug in desired 120 Volt load to the 120 Volt U-Ground receptacles. Always plug appliances into the generator with appliance in its "OFF" position.
3. Plug in 12V DC load to the DC receptacle. DC and AC power may be used simultaneously. Circuit Breaker may need to be re-set before using 12V receptacle. When charging 12V batteries insert the charging plug into the DC socket and then connect the terminals to the battery. After charging is complete, remove battery terminal first, then un-plug charging plug from generator. Remove the ground wire of Car Batteries prior to charging and re-connects after charging is complete to avoid short circuit or spark.
4. Do NOT connect 240 Volt loads to the 120 Volt receptacles.
5. Only connects single-phase 60 Hertz loads.
6. DO NOT OVERLOAD THE GENERATOR. FOLLOW THE PROVIDED "GENERATOR WATTAGE REFERENCE WORKSHEET" TO DETERMINE THE RUNNING AND STARTING WATTAGE OF YOUR EQUIPMENT, REFER TO THE PRODUCT SPECIFICATIONS TO ENSURE YOUR GENERATOR WILL OPERATE THE DESIRED EQUIPMENT.



OPERATION OF GENERATOR

GENERATOR OVERLOAD



CAUTION

Repeated, substantial overloading that reports an overload condition to the digital display may damage the generator. Marginal overloading that temporarily reports an overload may shorten the service life of the generator.

1. Remove all electrical loads from the generator and investigate the cause of the overload.
2. Press the (green) overload reset button or reset the circuit protector.

Before connecting or reconnecting an appliance to the generator, check that it is in good order, and that its electrical rating does not exceed that of the generator.

This generator has been designed to prevent the engine from “overspeed” revving. Overspeed revving occurs when a generator’s on-board monitoring systems detect a drop in voltage from the inverter, and the generator attempts to compensate by revving the engine higher to generate more electricity. In the rare event of an inverter failure, there will be no voltage output from the inverter, and the engine will remain revving at or close to its top speed. Overspeed revving for a prolonged period can damage internal components due to increased heat from the engine. With an inverter failure, each of the following three symptoms will be present:

- The 120 V receptacles will not supply voltage, regardless of breaker settings.

If your generator exhibits this behavior (it only idles, producing no voltage), take the generator to an authorized Lifan Power USA service center for servicing.

NOTE: Use the running and starting wattage provided by the equipment manufacturer if available. If not available, use provided “Generator Wattage Reference Worksheet.”

OUTPUT AND OVERLOAD INDICATOR:

The GREEN Output Indicator Light will illuminate at normal operating conditions.

The RED Output Indicator Light will illuminate when the generator is overloaded, if there is a short circuit in a connected appliance, or if Low Oil Alarm System has been tripped.

If the RED Output Indicator Light illuminates, STOP the engine and determine the cause of overload by:

- Checking the appliance(s) for proper operation, electrical shorts, and malfunctions. Also ensure the generator has the ability to provide the required starting and running watts of the connected appliance(s).
- Ensuring all appliances is in the “OFF” position upon starting the generator. Only start the connected appliance(s) when the GREEN Output Indicator Light is illuminated and the generator is providing the necessary power to run the connected appliance(s).



LIFAN POWER USA

OPERATION OF GENERATOR

LOW OIL ALARM SYSTEM:

This model is equipped with a Low Oil Alert System designed to avoid engine damage from insufficient oil in the crankcase. The Low Oil Alarm System will stop the engine automatically before the oil level in the crankcase drops below safe operating levels. This will cause the RED Output Indicator Light to illuminate the engine will stop running.

STOPPING THE GENERATOR

Refer to Controls and Features section for diagram.

EMERGENCY SHUTDOWN

1. Push the on/off switch to the “off” position.

NORMAL SHUTDOWN

1. Unplug all electrical loads or turn the main breaker to the “OFF” position.
2. In order to stabilize internal equipment temperatures, allow the engine to run for 3-5 minutes under no load.
3. Push the on/off switch to the “off” position.
4. Allow unit to cool to ambient temperature before storage or transportation.
5. Always transport the generator with the fuel valve in the “OFF” position. Failure to do so will result in damage to the engine.

USAGE IN HIGH ALTITUDE REGIONS:

At high altitude, performance will decrease. Engine horsepower will decrease approximately 3.5% for each 1000 feet (305 meters) increase in altitude. At higher altitudes, the density of the atmosphere decreases, so there is less oxygen volume to draw into the cylinder. This means there will be less energy for every power stroke.

Call Lifan Power USA at 1-866-471-7464, Option – 2, for for High Altitude carburetor jets or to be directed to your nearest Authorized Service Center for re-jetting your carburetor.



LIFAN POWER USA

MAINTENANCE

NOTE: Refer to Following Procedures for Proper Method to Perform Maintenance

MAINTENANCE SCHEDULE

Item	Maintenance Procedure	Regular Service period (1). Perform at every indicated month or operating hour interval, whichever occurs first.				
		Each Use	1st Month or 4 to 6 Hours	Every 3 Months or 50 Hours	Every 6 Months or 100 Hours	1x per Year or 300 Hours
Engine Oil	Check	○				
	Change		○		○	
Air cleaner	Check				○	
	Clean			○ (2)		
Spark Plug	Clean / Adjust				○	
Spark Arrester	Clean				○	
Fuel Filter	Check				○	
	Replace					○ (2, 3)
Valve clearance	Check / Adjust					○ (4)
Fuel tank & strainer	Clean					○ (2)
Fuel line	Check	Every 2-years (Replace as necessary) (3)				

Notes:

(1) Log hours of operation to determine proper maintenance.

(2) Service more frequently when used in dusty areas.

(3) This fuel filter allows access to the fuel injector, so maintenance must be done in sanitary conditions. Allowing dust or dirt during maintenance may create problems. After checking or replacing, verify that the fuel filter is not leaking.

(4) These items should be serviced by an authorized dealer unless the owner has the proper tools and is mechanically proficient. See the Service Manual.

Service Period for Oil Changes	Normal Operating Temperature
Normal -100 hr	77°F (25°C)
95 hr	86°F (30°C)
85 hr	95°F (35°C)
70 hr	104°F (40°C)



LIFAN POWER USA

MAINTENANCE

OIL CHANGE PROCEDURES:

Periodic Maintenance of your engine oil should be performed after each 40 hours of use of you Power Equipment Product. Check your engine oil level prior to each use.

1. Start your engine and let it warm up to get the oil warm and thinner. Turn the ignition switch to the "STOP" position.
2. Remove the Right Access Cover.
3. Remove the oil cap/dipstick by turning counter clockwise. Remove the oil drain plug located below the oil cap/dipstick utilizing the appropriate tools.

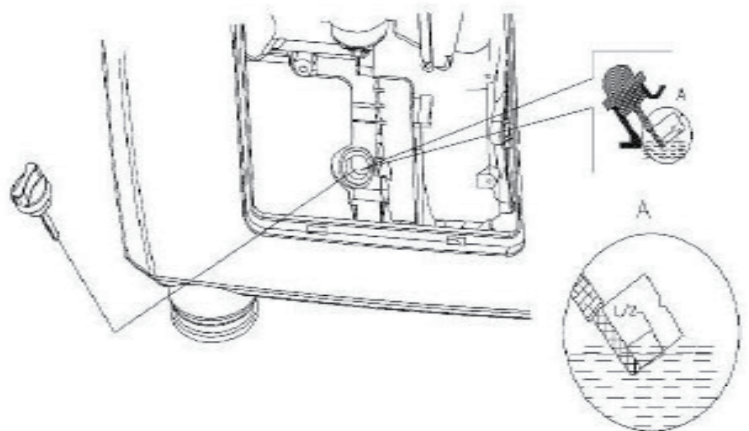
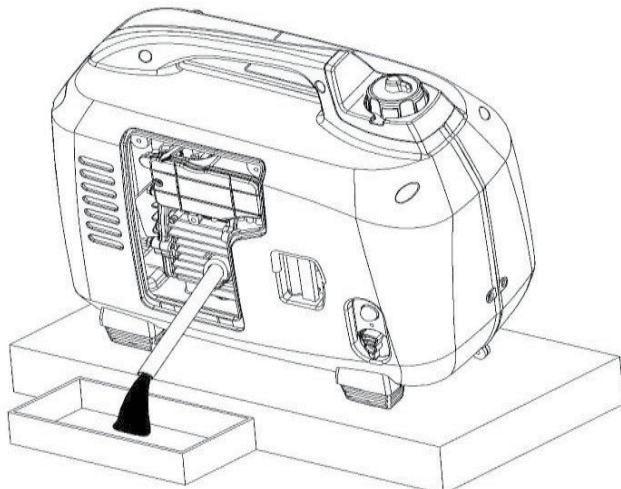
USE CAUTION: THE OIL MAY BE HOT.

4. Drain the engine oil using the provided Oil Drain Tube Extension into an approved receptacle and discard in accordance with all Federal and State Regulations. Never dump the used engine oil on the ground or into drains, only discard in an approved manner. Check with your local authorities to determine the regulations in your area.

WARNING! AVOID SPLASHING OF HOT OIL; IT CAN BURN YOU AND CAUSE SEVERE INJURY.



5. After oil is completely drained, replace oil drain plug and tighten with appropriate tools. Replace oil with the proper oil for your product. Refer to the Pre-Operating Instruction: Generator Setup section for exact fill requirements. Always use your dipstick to check the oil level and only fill to the full mark on the dipstick. Never overfill the engine as this can cause damage to the unit and void warranty.
6. Replace the dipstick/oil cap on the engine.
7. Replace Right Access Cover.
8. Shake generator to ensure the float in the Oil Alert System is free.

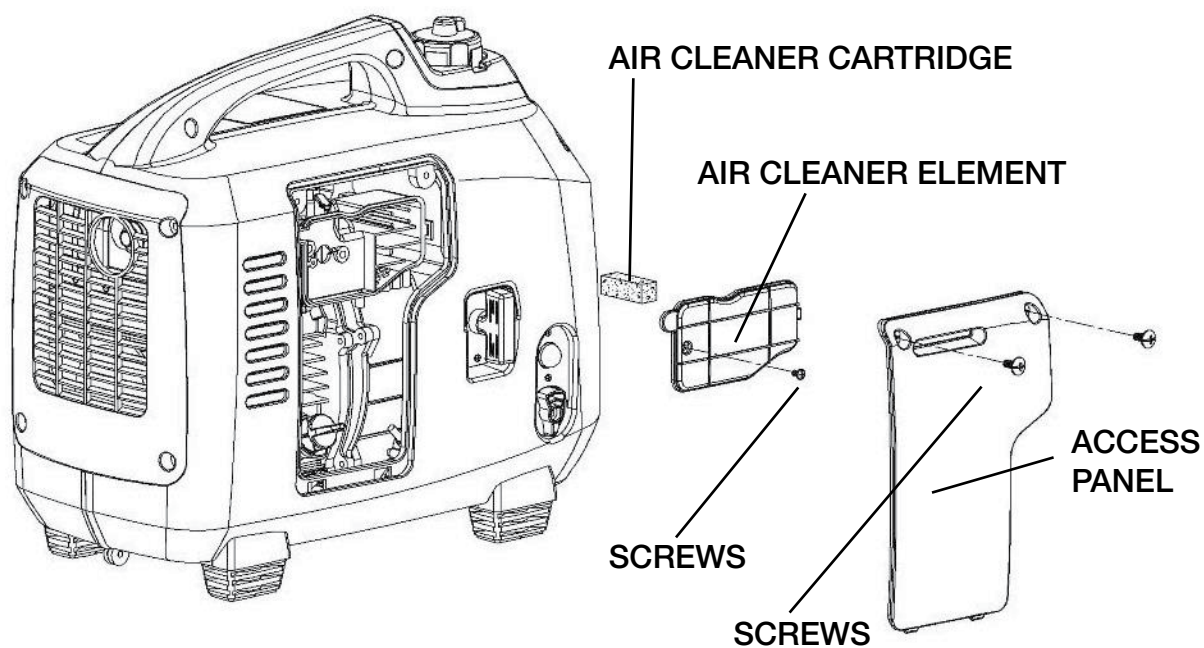


MAINTENANCE

AIR CLEANER MAINTENANCE:

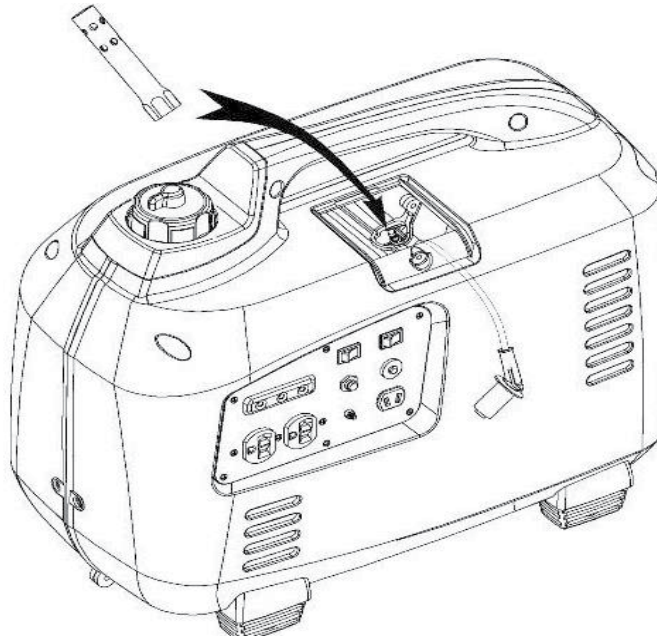
Refer to Controls and Features section for diagram.

1. Remove Left Access Cover.
2. Remove the Air Cover Case.
3. Pull out the Air Cleaner cartridge following the direction of the arrow.
4. Check the Air Cleaner Element for cleanliness. If needed clean/replace Air Cleaner Element.
5. Reinstall Air Cleaner Element and Cartridge.
6. Reinstall Air Cover Case.
7. Reinstall the Left Access Cover.





MAINTENANCE



SPARK PLUG MAINTENANCE

Recommended spark plug: F7RTC

To ensure proper engine operation, the spark plug must be properly gapped and free of deposits.

1. Loosen the cover screws and remove the maintenance door.
2. Remove the spark plug cap.
3. Clean any dirt from around the spark plug base.
4. Use the supplied wrench to remove the spark plug.
5. Visually inspect the spark plug. Discard it if the insulator is cracked or chipped.
6. Clean the spark plug with a wire brush if it is to be reused.
7. Measure the plug gap with a feeler gauge. The gap should be 0.028-0.031in (0.7-0.8mm).
8. Correct as necessary by carefully bending the side electrode.

FUEL SYSTEM MAINTENANCE:

Refer to Controls and Features section for diagram. NOTE: Periodically you can get sediment or trash in your Carburetor Bowl. Use the following procedures to clean:

1. Remove the Left Access Panel.
2. Remove the carburetor bowl by removing the mounting bolt located at the bottom of the bowl.
3. Dump out the old fuel and sediment into an approved container and clean carburetor bowl thoroughly.
4. Fit a new rubber washer into place and re-attach fuel bowl to the carburetor.

NOTE: Removal of the drain screw at the bottom of the bowl can drain the fuel to remove smaller debris that has collected in the bowl.

5. After bowl is securely back in place, turn the fuel Valve to the "ON" position for use.
6. Units equipped with a pre-filter for fuel will have a filter housed just below the fuel cock. Remove the fuel filter element (refer to "Fuel Filter Element Removal")

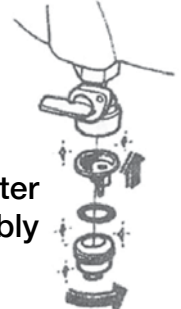
LIFAN POWER USA

MAINTENANCE



Fuel Filter
Element Removal

If the generator has been running, the muffler will be very hot. Allow it to cool before proceeding.

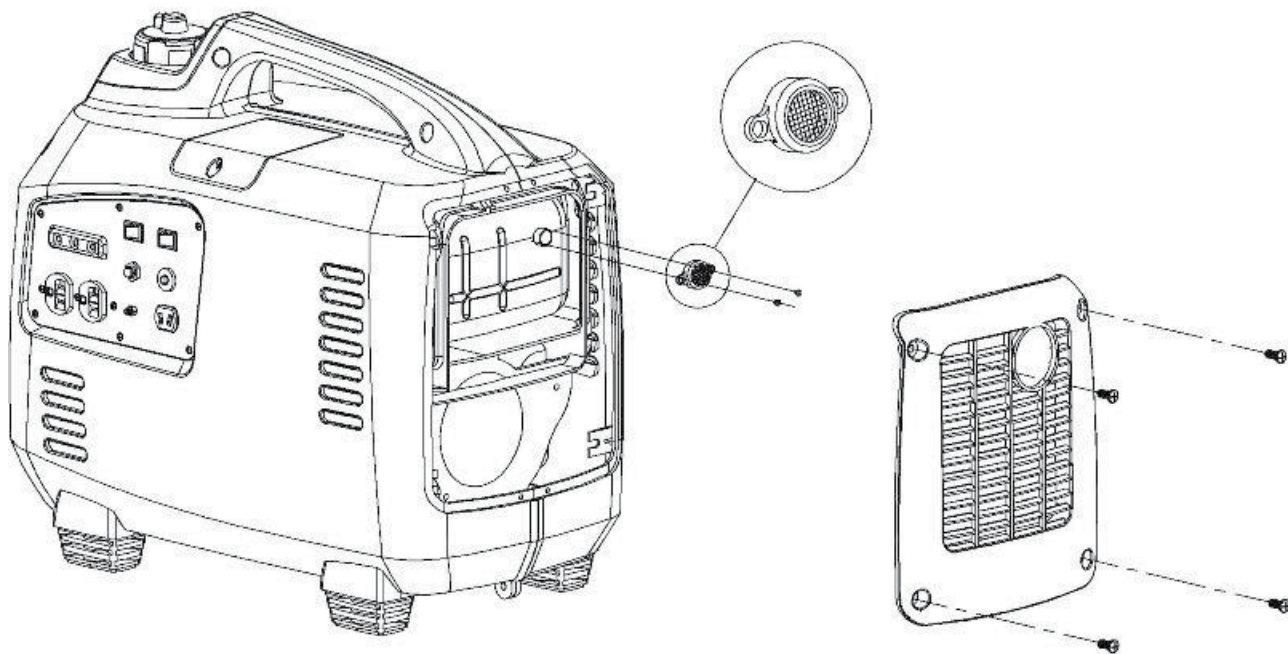


Fuel Filter
Element Assembly

Spark Arrestor:

- The spark arrester must be serviced every 100 hours to maintain its efficiency, or a decrease in Horsepower may occur.
- Because of the size of the spark arrester opening in the exhaust grille you may decide that you do not want to take off the grille. This will not cause an issue unless you drop the arrester or the clamp or screws behind the grille. Taking the grille off or leaving it on is a matter of your convenience, but the procedure below will include removing the grille.

1. Remove the exhaust grille to access the spark arrester.
2. Remove the screws holding the clamp and the spark arrester to the muffler.
3. Clean the spark arrester with a stiff wire brush.
4. Replace if the wire mesh is perforated or torn.
5. Reinstall the spark arrester and the clamp.
6. Reinstall the exhaust grille.





LIFAN POWER USA

TRANSPORTING THE GENERATOR

To prevent fuel spillage when transporting or during temporary storage, the generator should be secured upright in its normal operating position with the ignition switch “OFF” and turn the fuel cap vent to off position.



WARNING

When transporting the generator:

- Do not operate the generator while it is on or in a vehicle.
- If you must transport the generator in an enclosed vehicle, drain all fuel from the generator.

During short term storage, the generator should be secured upright in its normal operating position with the on/off switch turned “OFF”.

Avoid placing the generator in direct sunlight when storing.

If the generator is left in an enclosed area or vehicle, high temperatures inside could cause residual fuel to vaporize resulting in possible explosion.

LONG-TERM STORAGE OF THE GENERATOR

During long term storage, the generator should be secured upright in its normal operating position with the switch turned “OFF”.

Avoid placing the generator in direct sunlight when storing.



WARNING

- If the generator is left in an enclosed area or vehicle, high temperatures inside could cause residual fuel to vaporize resulting in possible explosion.
- Gasoline is extremely flammable and explosive under certain conditions.
- Do not smoke or allow flames or sparks in the area.
- During long-term storage, or infrequent use of your equipment, it is important to add a fuel stabilizer, such as STA-BIL® Fuel Stabilizer, to help prevent fuel oxidation (breakdown) and the formation of gum and varnish, and to inhibit corrosion in the fuel system.



LIFAN POWER USA

LONG-TERM STORAGE OF THE GENERATOR

1. Be sure the storage area is free of excessive humidity and dust, and out of direct sunlight.
2. It is best to keep the tank at least 95% full, as condensation will be less likely to occur in the fuel tank during storage if the tank is full. Do not overfill the tank, as the fuel will need room to expand on hot days. Add an appropriate amount of fuel stabilizer (per the instructions on the bottle) and run the generator for 5 minutes to ensure that any fuel trapped in the system has the stabilizer in it. You may also opt to add the fuel stabilizer and run the unit until it is out of fuel.

If you opt to drain the fuel, then continue on with the instructions below.

3. To drain the gasoline from the fuel tank, turn the switch to the “OFF” position.
4. Siphon the fuel from the tank.
5. Change the engine oil.
6. Remove the spark plug and pour about a tablespoon of clean engine oil into the cylinder.
7. Crank the engine several revolutions to distribute the oil and then reinstall the spark plug.
8. Slowly pull the starter grip until resistance is felt. At this point, the piston is coming up on its compression stroke and both the intake and exhaust valves are closed. Storing the engine in this position will help to protect it from internal corrosion.
9. Turn the switch to the “OFF” position.

SHORT-TERM STORAGE

For Short Term storage of your power equipment product, typically 30 days or more, perform the following:

During short term storage, the generator should be secured upright in its normal operating position with the switch turned “OFF”.

Avoid placing the generator in direct sunlight when storing.



WARNING

- If the generator is left in an enclosed area or vehicle, high temperatures inside could cause residual fuel to vaporize resulting in possible explosion.
- Place the unit in a clean, dry, and secure location.
- Cover with “LIFAN Water Proof Generator Cover,” Item Number LF100-69600 not included) or canvas/vinyl tarpaulin. Do NOT operate unit with cover installed.



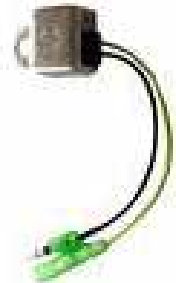
LIFAN POWER USA

TROUBLESHOOTING

IF THE ENGINE WILL NOT START:

1. Check to ensure switches are in the “ON” position.
2. Check engine oil level. Your unit possesses a Low Oil Alarm System that will not allow your engine to start if the oil is below safe operating levels. This feature is installed to increase the life of your engine and prevent engine damage. If oil level is low, fill to the full mark on dipstick. Refer to the Product Specifications for exact oil type and amounts.
3. Add fuel stabilizer. Turn fuel shut-off valve to “off” position, run unit until fuel in fuel lines and carburetor has burned out of system.
4. Check the fuel level to insure adequate fuel. Add fuel if necessary.
5. Remove and inspect the spark plug for cleanliness and proper electrode gap. If needed, clean or replace the spark plug. Refer to Spark Plug Maintenance in the Maintenance section of the Owner’s Manual for proper procedure.

NOTE: Periodically on the initial start-up or after the unit has been stored for a long period of time, the float for the “Low Oil Alarm System” will stick to the bottom of your oil pan. Locate the two (2) wires to the Low Oil Sensor Diode (refer to figure on the right) located on the side of the engine block. Unplug these wires and, only after ensuring the engine is full of oil, start the engine and allow to run until warm (normally 20 minutes, as this will heat the oil and release the float on the Low Oil Alert System). Then re-plug the wires to the terminals on the Low Oil Alarm Sending Unit.



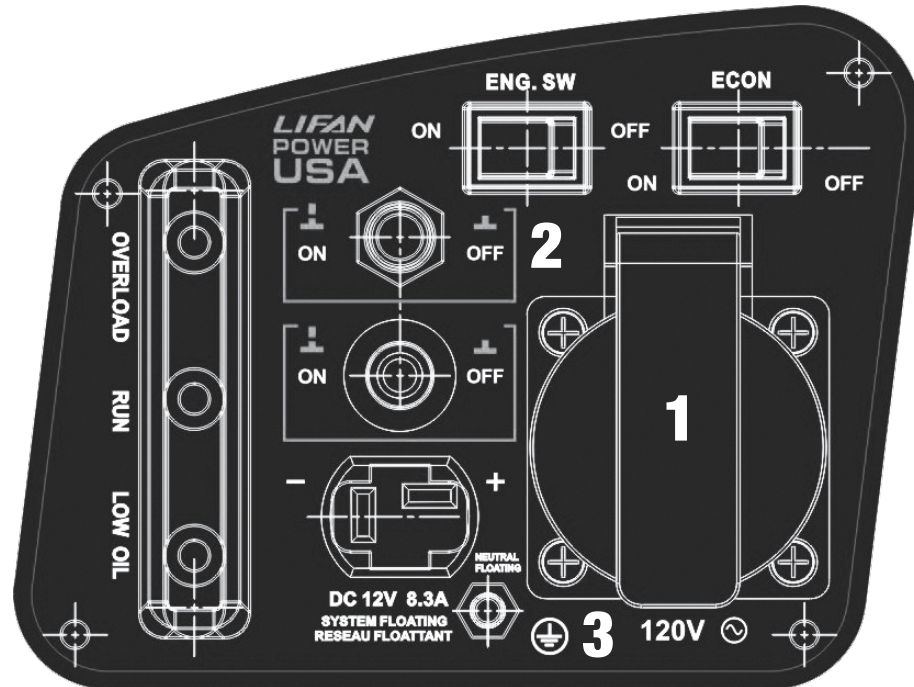
UNIT DOES NOT PROVIDE ELECTRICAL CURRENT:

1. Plug in a small appliance or tool to test.
2. Check if the AC (or DC) Circuit Breaker is in the “ON” position. If not, place in “ON” position.
3. If your unit still does NOT produce electricity after performing the previous checks, call LIFAN Power USA at 1-866-471-7464, your dealer, or authorized Service Center.

LIFAN POWER USA

AC APPLICATION

1. 120V AC Receptacle
2. AC Circuit Breaker
3. Grounding Terminal



The control panel has an AC breaker (Circuit Protectors): For the 120V receptacle, and one (1) 10a DC breaker for the DC 12v receptacle.

Ensure that the breaker is on for the receptacle you want to use.

1. Start the engine.
2. Confirm that the appliance to be used is switched off before plugging into the control panel.
3. Plug the appliance into the control panel.

GENERATOR OVERLOAD

- Repeated, substantial overloading that continuously illuminates overload the digital display may damage the generator. Marginal overloading that temporarily reports an overload may shorten the service life of the generator.
- If the generator is overloaded or if there is a short in the connected appliance, the values in the digital display will become zero, the overload light will illuminate.



WARNING

- Remove all electrical loads from the generator and investigate the cause of the overload.
- Press the (green) overload reset button.
- Before connecting or reconnecting an appliance to the generator, check that it is in good order, and that its electrical rating does not exceed that of the generator.



LIFAN POWER USA

OVERSPEED PROTECTION

This generator has been designed to prevent the engine from “overspeed” revving. Overspeed revving occurs when a generator’s on-board monitoring systems detect a drop in voltage from the inverter, and the generator attempts to compensate by revving the engine higher to generate more electricity. In the rare event of an inverter failure, there will be no voltage output from the inverter, and the engine will remain revving at or close to its top speed.

- The 120V receptacles will not supply voltage, regardless of breaker settings.

DC APPLICATION

You may use the DC receptacle to charge external batteries, to power DC devices,. The DC receptacle provides a regulated, polarized 12V, 8.3A DC supply. The generator must be running to charge an external battery through the DC receptacle.



WARNING

- The DC receptacle may be used for charging 12 volt lead acid batteries only. Other types of batteries may burst causing personal injury or damage.
- To prevent the possibility of creating a spark near the battery, connect the charging cable first to the battery being charged, and then to the generator. When charging is complete, disconnect the cable first at the generator.
- Before connecting charging cables to a battery that is installed in a vehicle, disconnect the vehicle’s ground battery cable. Reconnect the vehicle’s ground battery cable after the charging cables are removed. This procedure will prevent the possibility of a short circuit and sparks if you make accidental contact between a battery terminal and the vehicle’s frame or body.
- Connect the positive charging cord to the positive battery terminal. Do not reverse the charging cables, or serious damage to the generator and/or battery may occur. Physical injury may also occur.
- Do not attempt to start an automobile engine with the generator still connected to the battery. The generator may be damaged.



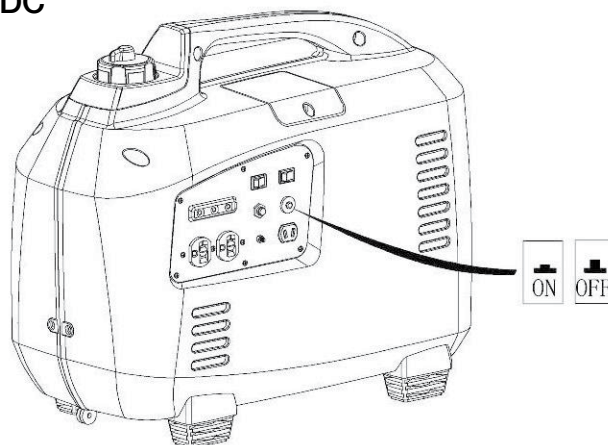
CAUTION

1. Start the generator
2. Connect the charging cables to the battery terminals first
3. Connect the charging cable to the DC receptacle of the generator last.



WARNING

- Batteries give off explosive gases; keep sparks, flames and cigarettes away. Provide adequate ventilation when charging. If electrolyte gets on your skin, flush with water. If electrolyte gets in your eyes, flush with water for at least 15 minutes and call a physician immediately.



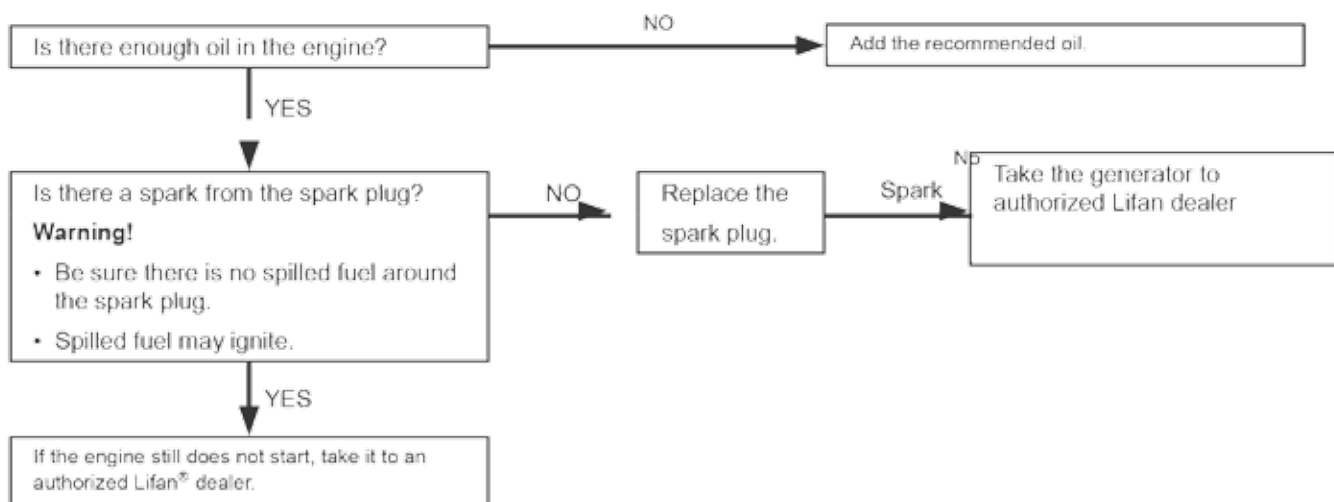
LIFAN POWER USA

LOW OIL ALARM SYSTEM

The low oil alarm system is designed to prevent engine damage caused by an insufficient amount of oil in the crankcase. Before the oil level in the crankcase falls below a safe limit, the low oil alarm system will automatically shut down the engine (the ignition switch will remain in the "ON" position).

If the low oil sensor shuts down the engine, the low oil light (red) will come on when you operate the starter, and the engine will not run. If this occurs, add enough of the approved engine oil to raise the level to the top line on the dipstick.

ENGINE WILL NOT START



NO OUTPUT AT DC RECEPTACLE





LIFAN POWER USA

WATTAGE CHART

	RUNNING WATTAGE REQUIREMENTS	ADDITIONAL STARTING WATTAGE REQUIREMENTS
HEATING/COOLING:		
Furnace Fan, gas or fuel oil furnace		
1/8 horsepower	300	500
1/6 horsepower	500	750
1/4 horsepower	600	1000
2/5 horsepower	700	1400
3/5 horsepower	875	2350
Central Air Conditioner		
10,000 BTU	1500	2200
20,000 BTU	2500	3300
24,000 BTU	3800	4950
32,000 BTU	5000	6500
40,000 BTU	6000	6700
HEATING/COOLING:		SUB-TOTAL:
KITCHEN		
Refrigerator, Average	600	2200
Dish Washer - Cool Dry	700	1400
Dish Washer - Hot Dry	1450	1400
Clothes Dryer - Gas	700	1800
Clothes Dryer - Electric	5750	1800
Microwave Oven, 750W	750	800



LIFAN POWER USA

WATTAGE CHART

Washing Machine	750	2300
Coffee Maker	850	0
Toaster 2-slice	1100	0
Toaster 4-slice	1650	0
Electric Skillet	1500	0
Electric Range 6-in. element	1500	0
Electric Range 8-in. element	2100	0
KITCHEN		SUB-TOTAL:
APPLIANCES		
Lights- Wattage	Actual:	
VCR	50	0
Heating Pad	65	0
Radio	100	0
Television - Black & White	100	0
Television - Color	300	0
Dehumidifier	400	0
Electric Blanket	400	0
Garage Door Opener - 1/4HP	550	1100
Garage Door Opener - 1/3HP	725	1400
Well Pump - 1/3 hp	750	1400
Well Pump - 1/2 hp	1000	2100
Sump Pump - 1/3 hp	800	1300
Sump Pump - 1/2 hp	1050	2150
Vacuum Cleaner - Standard	800	0
Vacuum Cleaner - Deluxe	1100	0



LIFAN POWER USA

WATTAGE CHART

APPLIANCES		SUB-TOTAL:
COMMERCIAL PRODUCTS:		
Jigsaw	300	300
Electric Weed Trimmer	500	500
Router	1000	1000
Belt Sander	1000	1000
Disc Sander	1200	1200
Chain Saw	1200	1200
Worm Drive Saw	1560	3100
12" Concrete Cutter	1800	3600
7 1/4" Circular Saw	1500	3000
Disc Grinder	2000	4000
Air Compressor, Average	2000	4000
COMMERCIAL PRODUCTS:		SUB-TOTAL:



LIFAN POWER USA

CONVERTING AMPS OR HORSEPOWER INTO WATTS

If necessary, use these formulas:

Watts = Amps x Volts

Running Watts* = Horsepower x 932** (for motors)

Remember, this worksheet lists **average power requirements** a particular manufacturer's device may use more or less than the listed wattage.

- Add a 10% correction factor to your totals to help overcome this uncertainty. If your customer plans to operate devices that use electric motors, list both the starting and running requirements of each.
- Starting requirements of some devices maybe significantly higher than their running requirements. This higher demand must be considered when estimating your power needs. Some small, universal motors — which do not draw a heavy starting load (drills, small saws, blenders, etc.) — require very little extra current for starting.

When listing items that use motors, take them in the order of highest-to-lowest starting requirements, as shown in the example below. Motor A, for instance, has a starting requirement of 2,600 watts, so it's listed first, followed by Motor B at 1,300 watts, and Motor C at 1,000 watts.

MOTOR/ DEVICE	STARTING WATTS	RUNNING WATTS
Motor A	2,600	850
Motor B	1,300	600
Motor C	1,000	750

NO ELECTRIC MOTORS

If your list does not include any devices that use electric motors, simply add the power (running) requirements of all the items on your list to obtain the maximum power needed.

For example, if you intend to use only an electric skillet, a 100-watt light and a heating pad (as shown below), the maximum power requirement would be 1,655 watts. In this case, a generator like the EF2600, that can produce 2,300 watts rated output, is recommended.



LIFAN POWER USA

LIMITED WARRANTY POLICY

This warranty is limited to the following Lifan Power and Storm Series products that are distributed by the EquipSource LLC, d/b/a LIFAN POWER USA, located at 2205 Industrial Park Road, Van Buren, AR 72956. Effective date is 4/20/2010.

LENGTH OF WARRANTY

PRODUCTS COVERED	Residential Use**			Commercial/Rental**
	1st Year	2nd Year	3rd Year	Warranty not to exceed 300 hrs. or terms listed below.
Walk Behind Mowers	Full unit parts and labor	Full unit parts only	Engine: parts only	Full unit: 3 months parts and labor
Water Pumps	Full unit parts and labor	Full unit parts only	Engine: parts only	Full unit: 12 months parts and labor
Generators/Inverter Generators	Full unit parts and labor	Full unit parts only	Engine: parts only	Full unit: 12 months parts and labor
Pressure Washer Engines	Full unit parts and labor	Full unit parts only	Engine: parts only	Full unit: 12 months parts and labor
Pressure Washer Pumps*	Full unit parts and labor	NA	NA	Full unit: 12 months parts and labor
Gasoline Engines	Full unit parts and labor	Full unit parts only	Engine: parts only	Full unit: 12 months parts and labor
Gasoline Powered Welders	Full unit parts and labor	Full unit parts only	Engine: parts only	Full unit: 6 months parts and labor

*All Lifan Pressure Pro™ and Storm Series Pressure Storm™ pressure washers are equipped with Annovi Reverberi™ high pressure water pumps which are covered by the manufacturer's 1 year limited warranty. Go to www.lifanpowerusa.com for details.

** Residential Use is defined as items that are for personal use.

*** Commercial/Rental use is defined as any usage for income producing or other business related uses.

In order to qualify for the limited warranty the product(s) must be purchased in North America from an authorized EquipSource, LLC d/b/a Lifan Power USA dealer or a dealer authorized by EquipSource to sell Lifan products. This warranty is non-transferable and applies only to the original purchaser. The supplied "Warranty Registration Card" must be completed and on file with American Warranty Service (at the supplied address), at the time that any warranty claim is made. The "Warranty Registration Card" must be submitted with a receipt of purchase which clearly states the date of purchase and where the purchase was made.

During the warranty period (stated above) Equipsource, LLC and/or American Warranty Service will repair or replace, at its' option, any part that is proven to be defective in material or workmanship under normal usage. Repairs and/or replacement will be made without charge for parts or labor. All parts found to be defective must be returned to EquipSource or American Warranty Service at our direction. Upon reception of the parts a judgment as to the validity of the warranty claim will be determined. All parts replaced under warranty or any replacement of the complete unit will be considered part of the original product and replacement of any product, and any warranty on those parts or replacement unit will coincide with the original warranty.

To obtain Warranty Service, call our Customer Service Hotline at 1-866-471-7464 and press 2 for Warranty Service at which time you will be transferred to the technicians at American Warranty Service. In lieu of this you may call directly to American Warranty Service at 866-926-4313 to be directly connected to a repair specialist. If your issue cannot be resolved through consultation with our customer service representatives, you will be directed to an Independent Service Center of your choice nearest your location. Any manufacture's Defects of your product will be repaired or replaced at no charge to you per our commitment. If the issue with your unit is not a Manufacture's Defect, you will be advised to make payment to the Service Center upon diagnosis of repairs which are not covered under the Manufacturer's Warranty Policy. In this case the end user is responsible for all shipping and handling charges associated with the exchange and as stated above the warranty will coincide with the date of the original purchased unit.



LIFAN POWER USA

LIMITED WARRANTY POLICY

This warranty is not valid for products or parts affected or damaged by accident, collision, normal wear, fuel contamination, abuse, neglect, misuse, alteration and/or unsuitable use or unauthorized parts replacement. Mower decks and blades are specifically not warranted for impact or abrasive damage. Warranty becomes void if the customer fails to install, maintain, and/or operate the product in accordance with the instructions and recommended actions of Lifan set forth in the owner's manual. EquipSource, LLC disclaims any responsibility for time loss or loss of usage of the product, transportation, commercial loss, or any other incidental or consequential damage. Prior to any warranty service an approval code must be issued to the service center in order for the warranty claim to be valid. Any implied warranties are limited to the duration of this written limited warranty. This warranty gives you specific legal rights, and you may also have other rights, which may vary from state to state.

OWNER'S RESPONSIBILITY

To ensure trouble free warranty coverage it is important that you register your Lifan generator by phone at 1-866-471-7464, or by filling out and returning to Lifan Power USA the warranty registration card supplied with your generator.

REGISTERING YOUR PRODUCT

This confirms your warranty coverage and provides a direct link between you and Lifan Power USA if we find it necessary to contact you. Your receipt for purchase including date, model and serial number must be maintained and registered to receive service from an Authorized Service Dealer for warranty service. Proof of purchase rests solely with you, the original purchaser. You must demonstrate reasonable care and use, and follow preventive maintenance, storage, fuel and oil usage as prescribed in the operator's manual for your Lifan Power unit. For the warranty assistance from a Lifan Authorized Service Dealer nearest to you, call Lifan's automated phone at 1-866-471-4764 Option 2. Should you require assistance or have questions concerning Lifan Power USA Warranty Statement, you can contact us through the web at www.lifanpowerusa.com or call toll free 1-866-471-7464.

EXCLUSIONS

- Lifan Power Equipment that utilize non-Lifan replacement parts.
- Failure to perform "Periodic Maintenance" as required and specified in the supplied "Owner's Manual."
- Costs of normal maintenance and adjustments.
- Failures caused by any contaminated fuels, oils, or lack of proper oil levels.
- Repairs or diagnostics performed by individuals other than Lifan authorized dealers not authorized in writing by Lifan.
- Failures due to normal wear and tear, accident, misuse, abuse, negligence or improper use.
- As with all mechanical devices, the Lifan engines need periodic part(s) service and replacement to perform as designed. This warranty will not cover repair when normal use has exhausted the life of a part(s) or engine.
- Failures caused by any external cause or act of God, including but not limited to, collision, theft, vandalism, riot, war, fire, freezing, lightning, earth-quake, windstorm, hail, water, flood, tornado, or hurricane or any occurrence outside of normal use and activity.
- Damage related to any animal infestation to include rodent and/or insect infestation.
- Products that are modified or altered in a manner not authorized in writing by Lifan.
- Any incidental, consequential or indirect damages caused by defects in materials or workmanship, or any delay in repair or replacement of the defective part(s).
- Failure due to misapplication.
- Telephone, cellular phone, facsimile, internet access, or other communication expenses.
- Expenses related to "customer instruction" or troubleshooting where no manufacturing defect is found.
- Overnight freight or special shipping costs for replacement part(s).
- Overtime, holiday or emergency labor.
- Starting batteries, fuses, light bulbs and engine fluids.
- **SPECIAL RESTRICTION ON ALL RESIDENTIAL GRADE EQUIPMENT:** Any residential grade unit used in a commercial application falls under a 60-day limited warranty.



LIFAN POWER USA

LIMITED WARRANTY POLICY

DISCLAIMER OF IMPLIED WARRANTIES

This limited warranty is in lieu of all other expressed or implied warranties, including any warranty of the unit's fitness for any particular use and any implied warranty of MERCHANTABILITY otherwise applicable to Lifan Power Equipment and its affiliated companies shall not be liable for any special, incidental or consequential damage, including lost profits. There are no warranties extended other than as provided herein. This limited warranty may be modified only by Lifan Power USA. Any implied warranties allowed by law shall be limited in duration to the terms of the express warranty provided herein. Some states do not allow limitations on how long an implied warranty lasts, so the above limitation may not apply to you. Some states do not allow the exclusion or limitation of incidental or consequential damages, so the above limitation may not apply to you. This warranty gives you specific legal rights. You also have other rights from state to state. Lifan's ONLY LIABILITY SHALL BE THE REPAIR OR REPLACEMENT AS STATED ABOVE. IN NO EVENT SHALL Lifan BE LIABLE FOR ANY INCIDENTAL OR CONSEQUENTIAL DAMAGES, EVEN IF SUCH DAMAGES ARE A DIRECT RESULT OF Lifan's NEGLIGENCE. Some states do not allow the exclusion or limitation of incidental or consequential damages, so the above limitation may not apply to you. This warranty gives you specific legal rights and you may also have other rights from state to state.

GOVERNING LAW/ CONSENT TO JURISDICTION AND FORUM SELECTION

The laws of the State of Arkansas shall govern the rights and duties of the parties under this agreement and jurisdiction and venue is fixed in Crawford County, Arkansas. The buyer/owner hereby waives any right it may have to assert the doctrine of forum non conveniens or similar doctrine or to object to venue with respect to any proceeding brought in accordance with this paragraph, and stipulates that the State and Federal courts located in the County of Crawford, State of Arkansas shall have in person jurisdiction and venue over each of them for the purpose of litigating any dispute, controversy, or proceeding arising out of or related to the sale, manufacture or warranty of products with EquipSource, LLC.

OWNER'S WARRANTY RESPONSIBILITIES

As the outdoor equipment owner, you are responsible for performance of the required maintenance listed in your owner's manual. EquipSource, LLC d/b/a Lifan Power USA recommends that you retain all receipts covering maintenance on your outdoor equipment. Lifan Power USA will not deny your warranty coverage based solely on your lack of receipts for service however, the condition of the equipment upon arrival at the service center will determine the warrantable nature of the product.

As the outdoor equipment owner, you should however be aware that Lifan Power USA may deny your warranty coverage if your outdoor equipment or a part has failed due to abuse, neglect, or improper maintenance or unapproved modifications.

If you have any questions regarding your warranty rights and responsibilities, you should contact Lifan Power USA or American Warranty Service Representative at 1-866-471-7464 Option 2 Warranty and Service or at the following address Lifan Power USA, 2205 Industrial Park Road, Van Buren, AR 72956 or by contacting us through www.lifanpowerusa.com.

This warranty specifically excludes the use of any Lifan Power Equipment or Storm Series power equipment as the "Sole Source of Power" for "off the power grid applications" and this warranty will become null and void for units used for this purpose and manner. This warranty specifically excludes the use of any Lifan Power Equipment or Storm Series power equipment for the purpose of powering Life Support devices, Life Support appliances, Medical devices, and/or Medical appliances.

EquipSource, LLC will not be held responsible for any damage due to the use of any Lifan or Storm Series power equipment for these purposes.



OPERATING INSTRUCTIONS AND OWNER'S MANUAL

**Energy Storm Series
ESI-860i**

**PLEASE KEEP AND READ THIS MANUAL
CAREFULLY BEFORE OPERATING YOUR NEW
LIFAN POWER USA DIGITAL INVERTER
GENERATOR**

RECORD PURCHASE HERE

MODEL # _____

ENGINE ID # _____

DATE OF PURCHASE _____

PURCHASE LOCATION _____



**-CA INDICATES THIS UNIT IS
CARB CERTIFIED**

Lifan Power USA is proud to offer its extensive line of Lifan power equipment.

Lifan Power USA is the sole distributor for Lifan power equipment in the United States. Lifan's unmatched investment in research & development ensures quality engines, generators, pressure washers, and water pumps at an extraordinary value. Lifan continues to be an innovator and presently holds over 4,000 international patents. Product performance has earned Lifan the reputation of dependability and value in all their international markets.

Lifan has been manufacturing and selling innovative and value driven products worldwide for over 20 years. Lifan is distributed in over 100 countries. Lifan is one of the largest publicly traded companies in China with sales over one billion dollars annually and 14,000 employees.

LIFAN POWER USA

As the largest engine manufacturer in China, Lifan builds more than five million small engines each year. This worldwide presence has been made possible by producing equipment that is durable, reliable, and rugged for any market.

Lifan Power USA prides itself in standing behind all Lifan products with our comprehensive warranty policy. Lifan Power USA continues to offer the highest level of service and support in the industry. With proven performance and unmatched value, Lifan power equipment will always keep you running.

All information in this publication is based on the latest product information available at the time of approval for printing. EquipSource, LLC reserves the right to make changes at any time without notice and without incurring any obligation. The copyright of this document belongs to EquipSource, LLC. No part of this publication may be reproduced without the written permission of EquipSource, LLC.

**Made in PRC and
Distributed by Lifan Power USA
2205 Industrial Park Road
Van Buren, AR 72956
(866) 471-7464**