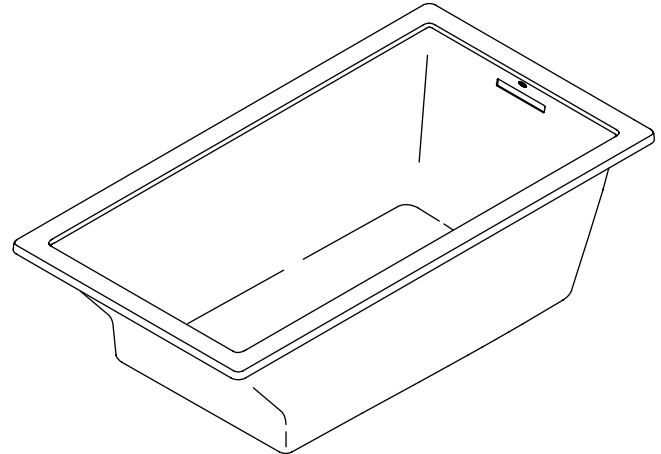


Features

- Acrylic
- Drop-in installation
- Molded lumbar support
- 81 gallon (306.6 L) capacity
- 60" (152.4 cm) x 32" (81.3 cm) x 21" (53.3 cm)

5' (1.5 m) BATH
K-1130



Codes/Standards Applicable

Specified model meets or exceeds the following:

- ANSI Z124.1.2
- CSA B45.0
- CSA B45.5
- ASTM E162
- ASTM E662

Colors/Finishes

- 0: White
- Other: Refer to Price Book for additional colors/finishes

Accessories

- CP: Polished Chrome
- Other: Refer to Price Book for additional colors/finishes
- NA: None applicable

Specified Model

Model	Description	Colors/Finishes	
K-1130	5' (1.5 m) bath – drop-in	<input type="checkbox"/> 0	<input type="checkbox"/> Other_____
Required Accessories			
K-7271	Clearflo slotted overflow brass bath drain OR	<input type="checkbox"/> CP	<input type="checkbox"/> Other_____
K-7272	Clearflo slotted overflow bath drain – PVC pipe	<input type="checkbox"/> CP	<input type="checkbox"/> Other_____
Optional Accessories			
K-590	Undermount kit	<input type="checkbox"/> NA	

Product Specification

The acrylic bath shall be 60" (152.4 cm) in length, 32" (81.3 cm) in width, and 21" (53.3 cm) in height. Bath shall be for drop-in installation. Bath shall have an 81 gallon (306.6 L) capacity. Bath shall have a molded lumbar support. Bath shall be Kohler Model K-1130-_____.

UNDERSCORE™

Technical Information

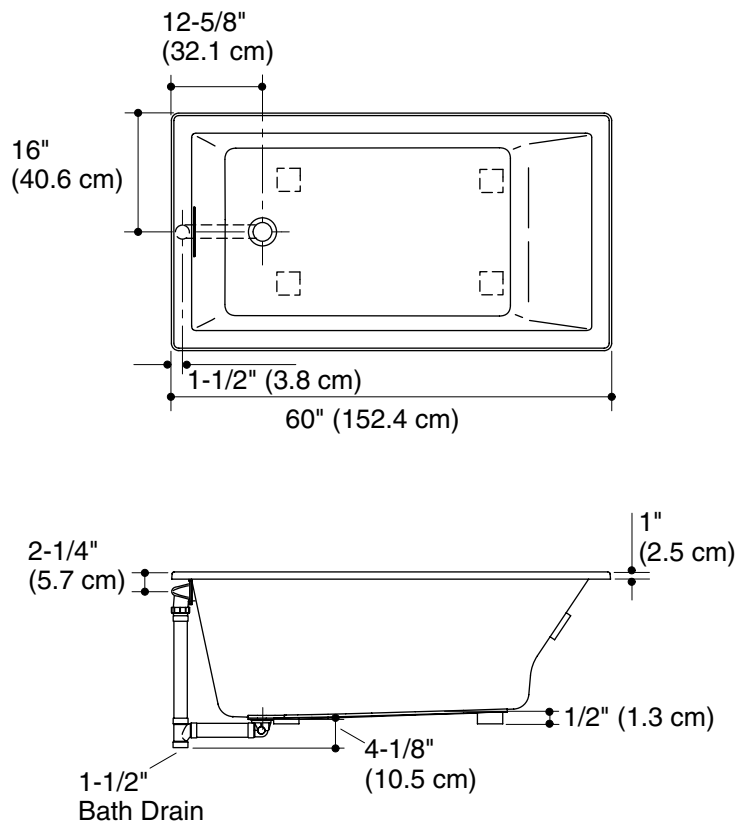
Fixture*:	
Bathing well:	
Basin area, bottom	42" (106.7 cm) x 23-1/2" (59.7 cm)
Basin area, top	55-1/8" (140 cm) x 27-1/8" (68.9 cm)
Weight	75 lbs (34 kg)
To overflow:	
Water depth	17-1/8" (43.5 cm)
Capacity	81 gal (306.6 L)
* Approximate measurements for comparison only.	
Drop-in cut-out	59-1/2" (151.1 cm) x 31-1/2" (80 cm)

Installation Notes

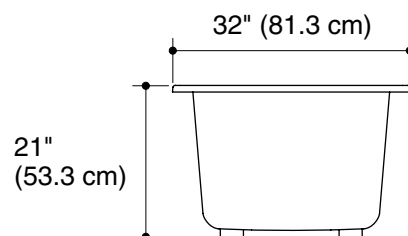
Install this product according to the installation guide.

Floor support under bath must provide for a minimum of 58 lbs/square foot (284 kg/square meter) loading.

The hot water supply should be 70% of the capacity of the bath or greater. Installations will vary.



No change in measurements if connected with required drain illustrated. (K-7272)



Product Diagram