

NX58K9850SS

5.8 cu. ft. Flex Duo™ Slide-In Gas Range with Dual Door and WiFi Connectivity

Features

- Flex Duo™ with Dual Door
- Blue Illuminated LED Knobs
- 22K BTU True Dual Power Burner
- WiFi Connectivity
- Slide-In Design
- Soft-Close Dual Door
- Guiding Light Controls
- Dual Convection Oven
 - Top: True Convection
 - Bottom: Fan Convection
- Powerful Cooktop – 5 Gas Burners
 - Right Front: Dual 22K BTU Brass Burner
 - Left Front: 15K BTU
 - Right Rear: 5K BTU
 - Left Rear: 9.5K BTU
 - Center (Oval): 9.5K BTU
- Large Oven Capacity – 5.8 cu. ft.
 - 3.4 cu. ft. upper
 - 2.3 cu. ft. lower
- Wide View Window
- Cast Iron 3-Piece Grates
- Reversible Cast Iron Griddle
- Wok Grate
- Temperature Probe
- Storage Drawer
- ADA Compliant

Convenience

- Auto Oven Light
- Sabbath Mode
- Kitchen Timer
- Delay Start
- Child Safety Lock
- Self Clean
- Favorite Cook Options
- 6 Healthy Cook Options



ADA Compliant



Flex Duo™ Oven



Soft-Close Dual Door

Available Colors



Stainless Steel (shown)



Black Stainless

Signature Features

FLEX DUO™ WITH DUAL DOOR

- Flex Duo™ with Dual Door design provides ultimate cooking flexibility.
- Includes two independent temperature controls and convection systems, separated by a removable Smart Divider, so you can cook multiple dishes simultaneously. Plus, you can access just the top compartment or the full oven with the hinged door.

BLUE ILLUMINATED LED KNOBS

- Visually lets you know if your cooktop is on
- Distinctive blue light can be seen from a distance.

22K BTU TRUE DUAL POWER BURNER

- Provides the most powerful and precise heating available.¹
- Powerful and flexible burner offers two independent heating elements with power ranging from high heat of 22,000 BTU to a true simmer of 900 BTU.

¹10% stronger than any competitor model in its class; best in market vs 20K BTU competitors.

SAMSUNG

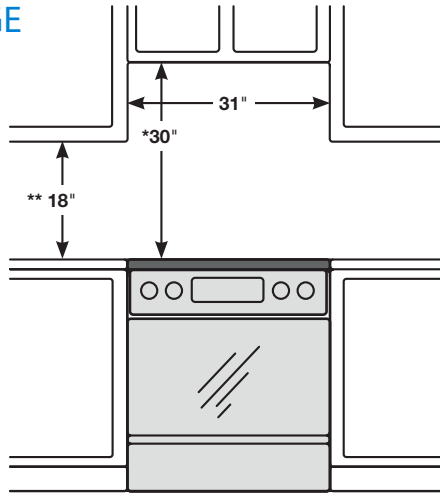
NX58K9850SS

5.8 cu. ft. Flex Duo™ Slide-In Gas Range with Dual Door and WiFi Connectivity

INSTALLING YOUR RANGE

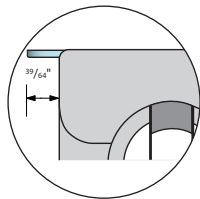
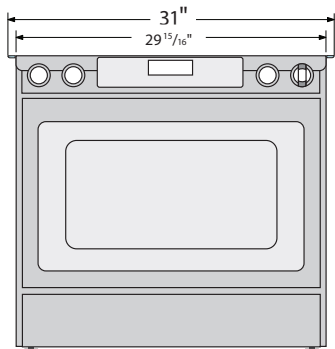
*30" minimum clearance between the top of the cooking surface and the bottom of an unprotected wood or metal cabinet; or 24" minimum when the bottom of the wood or metal cabinet is protected by not less than 1/4" flame-retardant millboard covered with not less than no.28 MSG sheet steel, 0.015" stainless steel, 0.024" aluminum or 0.020" copper.

** 18" minimum between the countertop and the adjacent cabinet bottom.

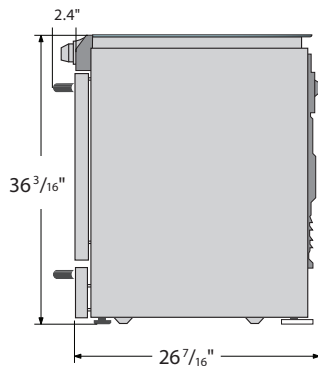


IMPORTANT: To eliminate the risk of burns or fire caused by reaching over heated surface units, cabinet storage space located above the surface units should be avoided. If cabinet storage is to be provided, the risk can be reduced by installing a range hood that projects horizontally a minimum of 5" beyond the bottom of the cabinets.

Dimensions



Glass cooktop overlaps and sits on top of your kitchen countertop to give a built-in look. Cutout space for the range is 29¹⁵/₁₆."



Total Power (BTU)

61K BTU

Power Source

120V/60Hz

Stainless Steel Five-Burner Cooktop (BTU)

- Right Front: 22K (Dual Brass Burner)
- Left Front: 15K
- Right Rear: 5K
- Left Rear: 9.5K
- Center (Oval): 9.5K

Oven: 5.8 cu. ft. Capacity

- Upper Capacity: 3.4 cu. ft.
- Lower Capacity: 2.3 cu. ft.
- True Convection
- Bake: 175°F–550°F
- Variable Broil: Low-High (400°F - 480°F)
- Convection Bake: 175°F–550°F
- Convection Roast: 175°F–550°F
- Sabbath Mode

Warranty

One (1) Year All Parts and Labor

Five (5) Years Gas Cooktop

Product Dimensions & Weight (WxHxD)

Actual Oven Dimensions:

25" x 19" x 21¹/₈"

Outside Net Dimensions:

29¹⁵/₁₆" x 36³/₁₆" x 26⁷/₁₆"

Weight: 248 lbs.

Shipping Dimensions & Weight (WxHxD)

Dimensions:

33¹/₁₆" x 41³/₄" x 30⁵/₁₆"

Weight: 270 lbs.

Color

Stainless Steel

Black Stainless Steel

Model

NX58K9850SS

NX58K9850SG

UPC Code

887276132129

887276144368

SAMSUNG

Actual color may vary. Design, specifications, and color availability are subject to change without notice. Non-metric weights and measurements are approximate.

©2016 Samsung Electronics America, Inc. 85 Challenger Road, Ridgefield Park, NJ 07660. Tel: 800-SAMSUNG. samsung.com. Samsung is a registered trademark of Samsung Electronics Co. Ltd.