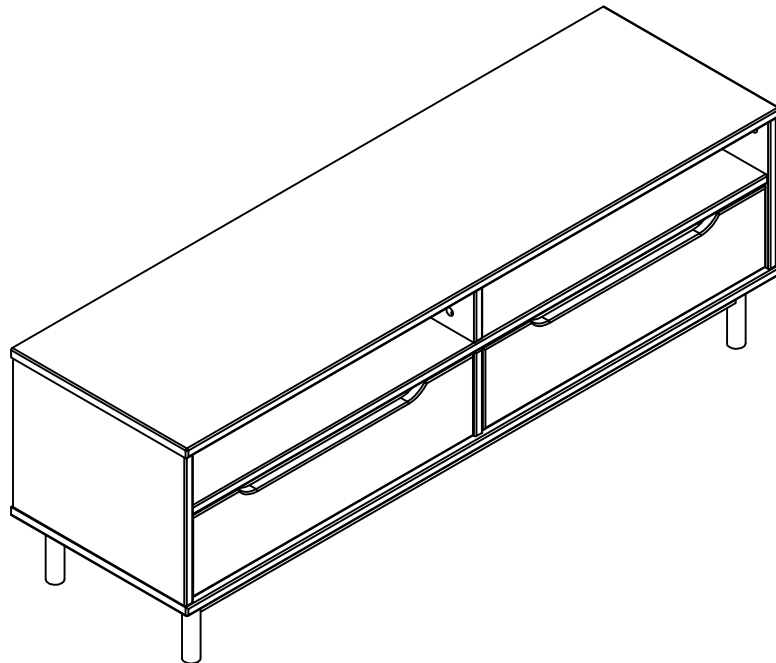


StyleWell™

Item # 1004396917
Model # TS 1004

USE AND CARE GUIDE

MODERN TV STAND



Questions, problems, missing parts?
Before returning to the store, call Customer Service.
8 a.m. - 7 p.m., EST, Monday - Friday, 9 a.m. - 6 p.m., EST, Saturday

1-877-527-0313

HOMEDEPOT.COM

THANK YOU

*We appreciate the trust and confidence you have placed in Style Well through the purchase of this modern tv stand
We strive to continually create quality products designed to enhance your home. Visit us online to see our full line of products
available for your home improvement needs. Thank you for choosing Style Well!*

Table of Contents

Table of Contents	2	Tools Required	3
Safety Information	2	Hardware Included	3
Warranty	2	Pre-assembly (continued)	4
1 Year Warranty	2	Package Contents	4
What is Covered	2	Assembly	5
What is Not Covered	2	Maintenance	14
Pre-assembly	3	Care and Cleaning	14
Planning Assembly	3		

Safety Information



DANGER

- Keep small parts away from children during assembly.
- Read and follow instructions carefully.



WARNING

- TO GUARANTEE THE SAFE USE OF THIS PRODUCT, FOLLOW THE WARNINGS, GUIDELINES AND RECOMMENDATIONS IN THIS MANUAL.
- Adult assembly required.
- Small parts may present choking hazard prior to assembly.



CAUTION

- Do not use power tools to assemble your furniture. Power tools may strip or damage parts/product.
- Do not overtighten connectors (screws, bolts, etc.). Overtightening can lead to product damage.
- Be sure to check all packing materials carefully for small parts that may have come loose inside the carton during shipment. If parts are missing, contact THE HOME DEPOT to obtain any missing parts.
- DO NOT USE SUBSTITUTE PARTS.
- This product should only be used on a flat, level surface.
- Some assembly may involve attaching glass or mirrors.
- Be very careful handling the glass or mirrors, as severe injury may result if the glass or mirror breaks.
- Never handle large pieces of glass or mirrors by yourself.
- Assembly requires two people; assembly alone may cause injury.

Warranty

1 YEAR WARRANTY

WHAT IS COVERED

We guarantee this product to be free of manufacturing defects to the original purchaser for one year.

WHAT IS NOT COVERED

This warranty does not cover commercial use, acts of nature, and abusive use.

Pre-assembly

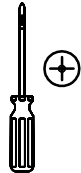
PLANNING ASSEMBLY

- Remove all Packaging materials , staples and packing straps form the carton .
- Refer to Parts List and Hardware List , and ensure parts and hardware are correct before assembly .
- Contact customer service for missing parts .
- Place all wooden parts on a clean , flat , and soft surface (e.g.carpet or rug) to prevent scratch and damage to parts .

TOOLS REQUIRED



Safety goggles



Phillips screwdriver



Level

HARDWARE INCLUDED



NOTE: Hardware not shown to actual size.



AA



BB



CC



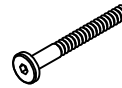
DD



EE



FF



GG



HH



II



JJ



KK



LL



MM



NN



OO



PP



QQ



RR



SS



TT

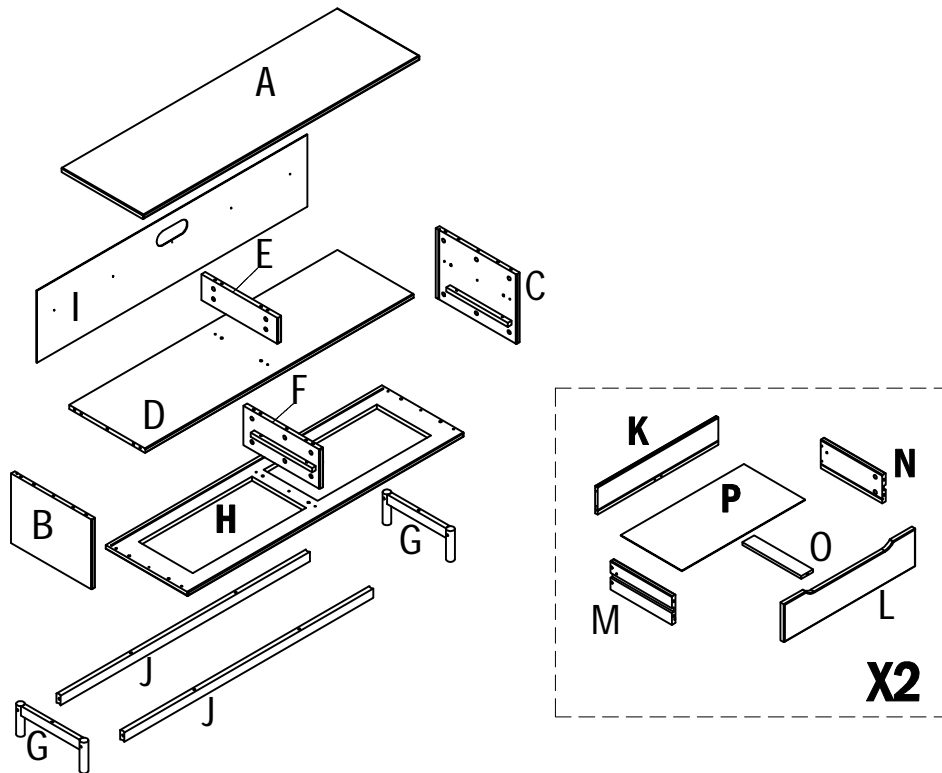


UU

Part	Description	Quantity
AA	Cam bolt	36
BB	Cam lock	36
CC	Wooden dowel D8*30	20
DD	Wooden dowel D6*40	8
EE	Screw Ø3.5*25	4
FF	Screw Ø3.5*30	10
GG	Screw	10
HH	Washer	10
II	Washer	10
JJ	Cam bolt	2
KK	Cam lock	2
LL	Round sticker (white)	8
MM	Round sticker (natural)	10
NN	Strap	2
OO	Wall anchor	2
PP	Screw Ø3.5*15	2
QQ	Washer D6*18	4
RR	Screw Ø3.0*15	5
SS	Screw Ø3.0*20	4
TT	Support	4
UU	Allen key	1

Pre-assembly (continued)

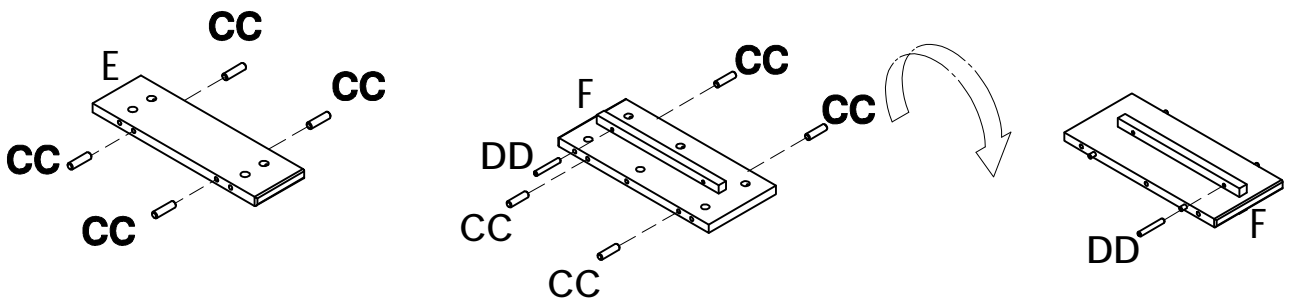
PACKAGE CONTENTS



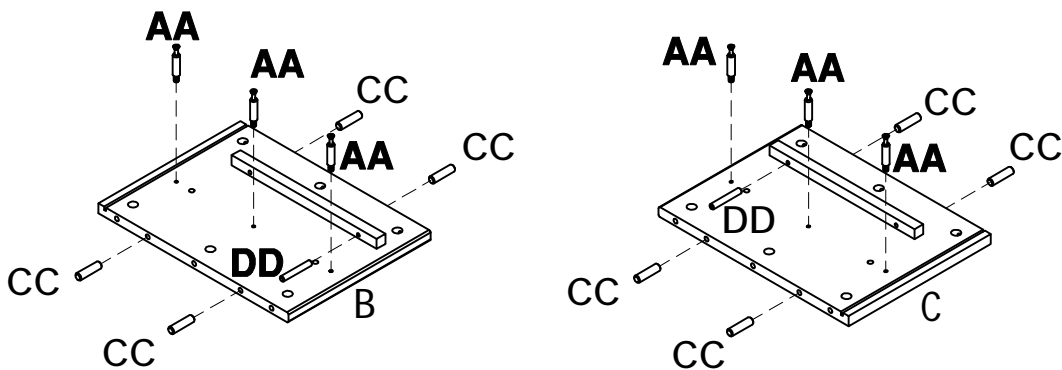
Part	Description	Quantity
A	Table top	1
B	Left side panel	1
C	Right side panel	1
D	Shelf panel	1
E	Vertical panel	1
F	Divider panel	1
G	Bottom side leg	2
H	Layer box	1
I	Bottom panel	1
J	Bottom front leg	2
K	Drawer back panel	2
L	Drawer front panel	2
M	Drawer left side panel	2
N	Drawer right side panel	2
O	Drawer bottom bar	2
P	Drawer bottom panel	2

Assembly

- 1 Attached wooden dowel(CC&DD) to vertical panel(E) and divider panel(F) as shown

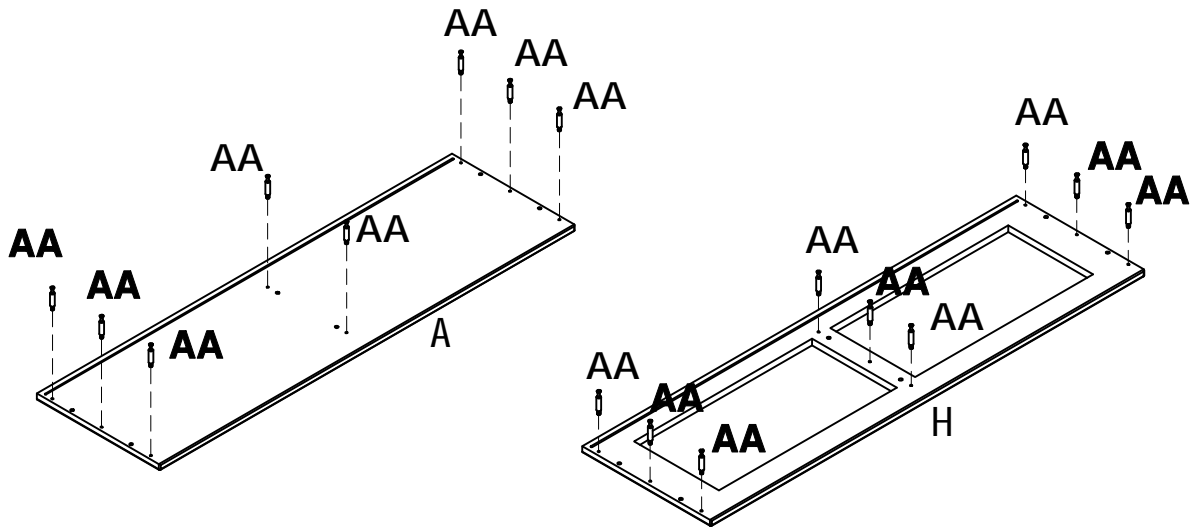


- 2 Locked cam bolt(AA) and attached wooden dowel(CC&DD) to left and right side panel (B&C) as shown

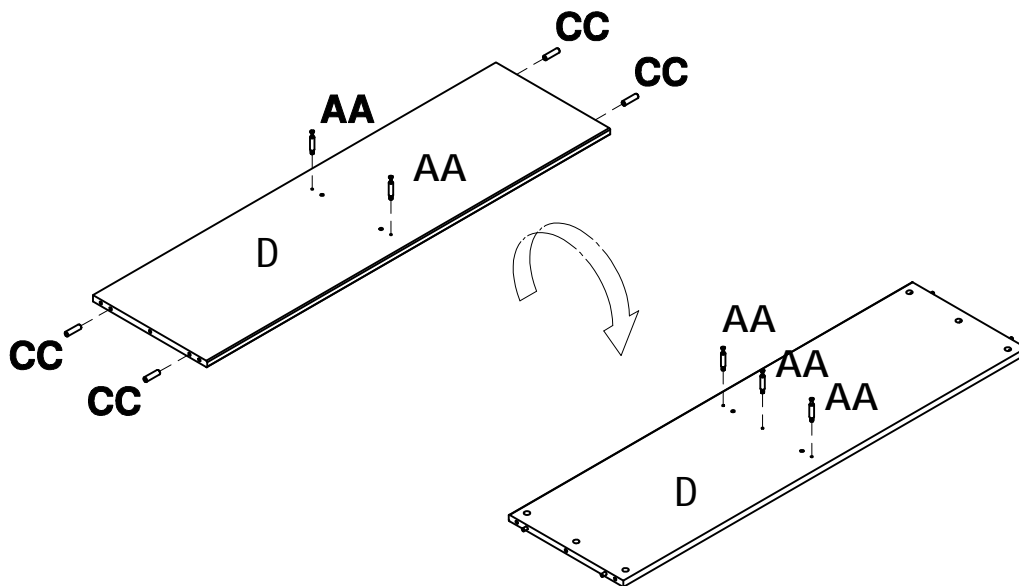


Assembly (continued)

3 Locked cam bolt(AA) to table top panel(A) and layer box(H) as shown

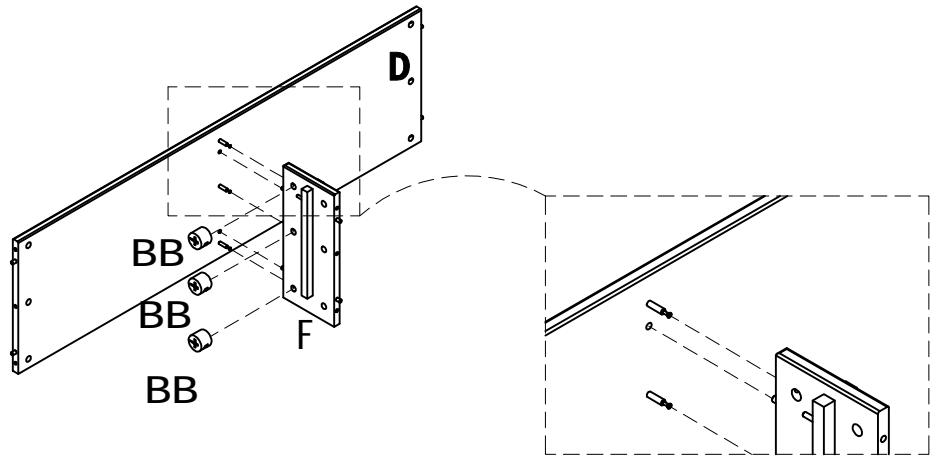


4 Insert wooden dowel(CC) and locked cam bolt(AA) to shelf panel(D) as shown

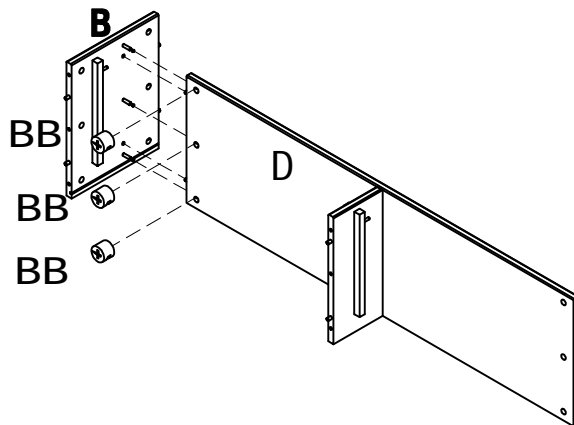


Assembly (continued)

- 5 Connect divider panel(F) to shelf panel(D) with cam lock(BB) as shown

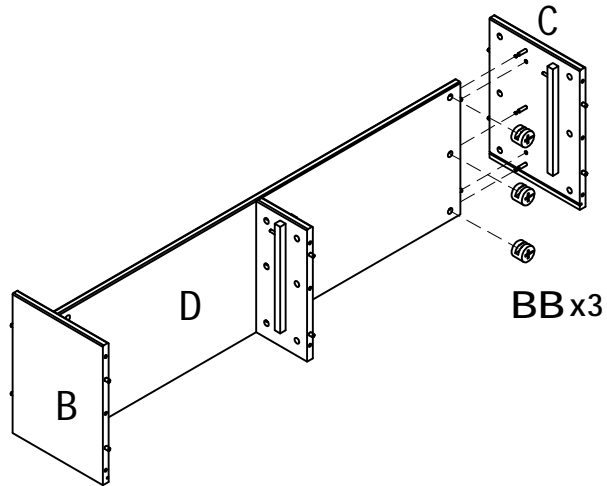


- 6 Connect left side panel(B) to divider panel(D) with cam lock(BB) from step 5

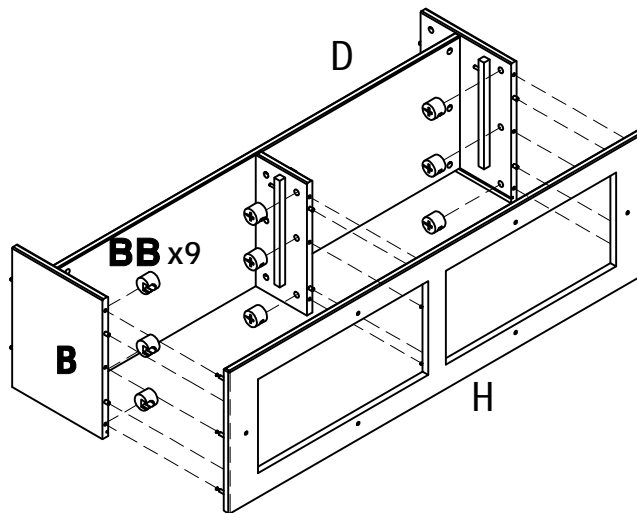


Assembly (continued)

7 Connect right side panel(C) to divider panel(D) with cam lock(BB) from step 6

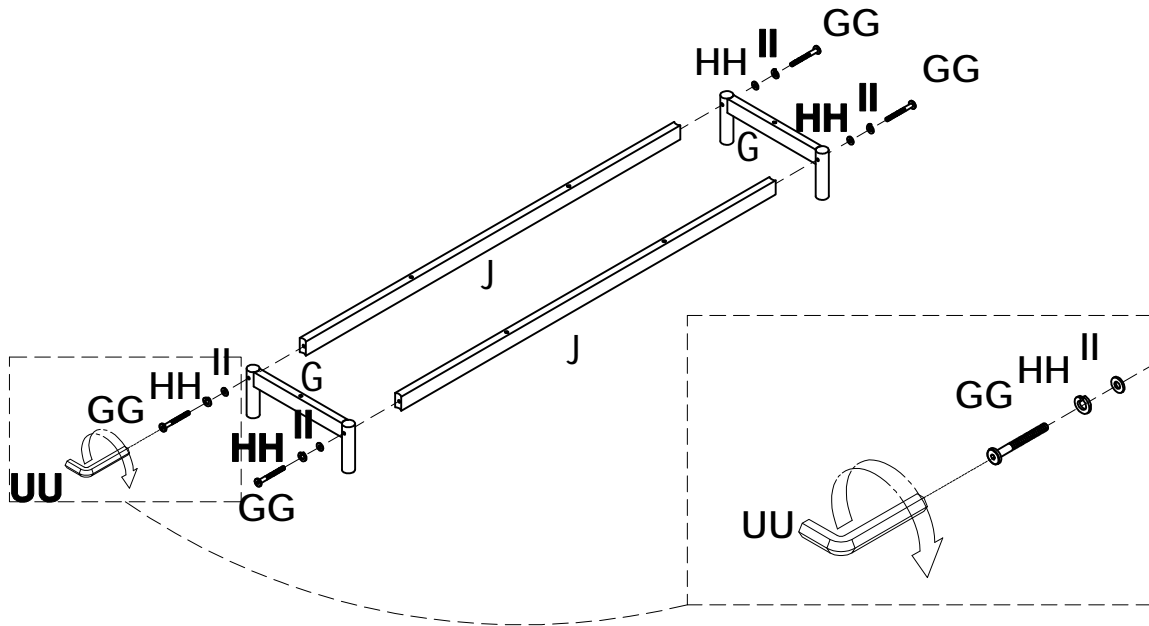


8 Connect layer box(H) with cam lock(BB) from step 7 as shown

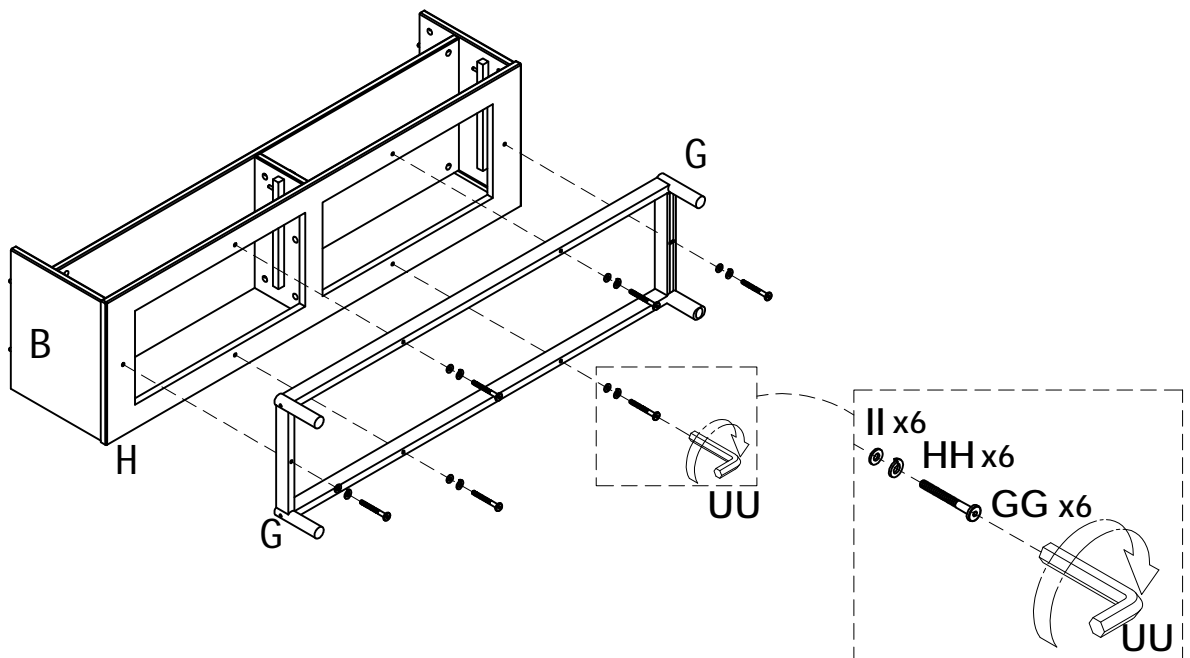


Assembly (continued)

- 9 Use allen key(UU) to tighten bottom side leg(G) and bottom front leg(J) with screw (GG) and washer(HH&II) as shown

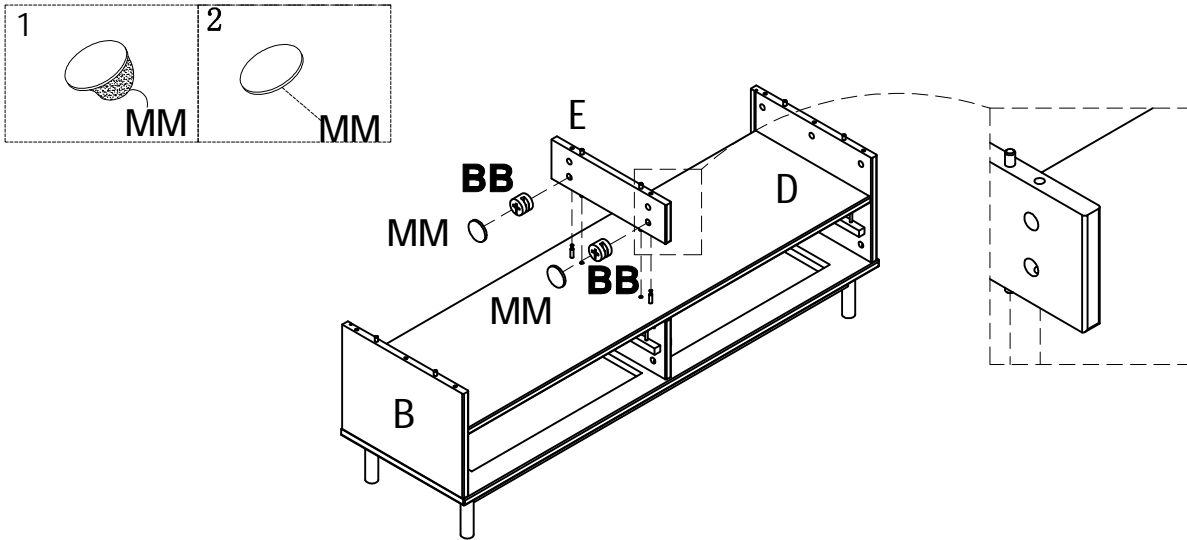


- 10 Use allen key(UU) to tighten step 8 and step 9 with screw(GG) and washer(HH&II)

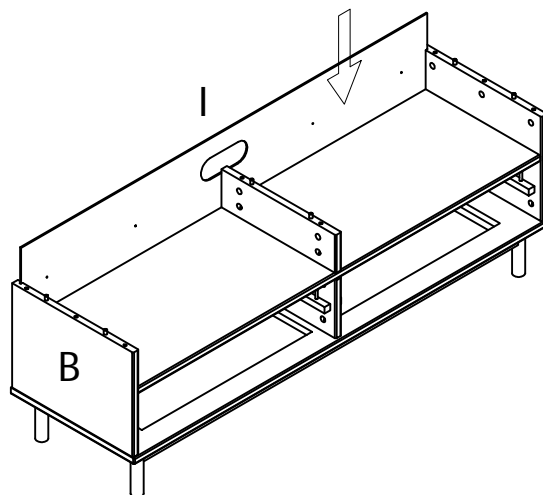


Assembly (continued)

- 11** Connect vertical panel(E) with cam lock(BB) from step 10, then attached the round sticker(MM) as shown

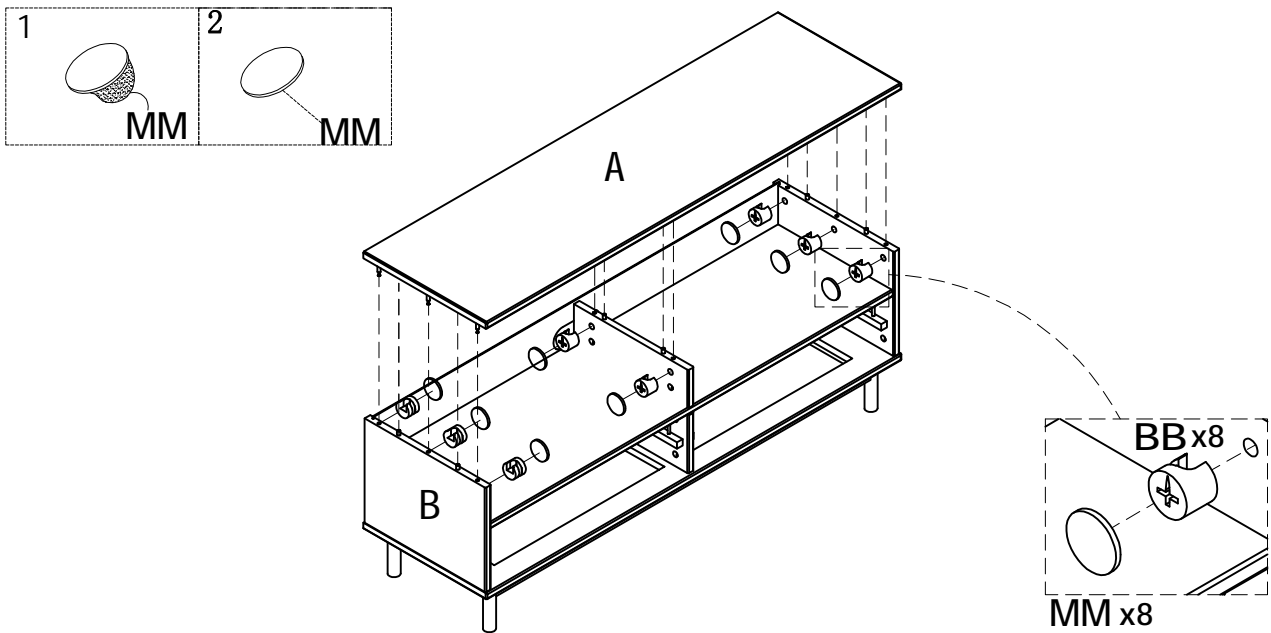


- 12** Insert bottom panel(I) from step 11

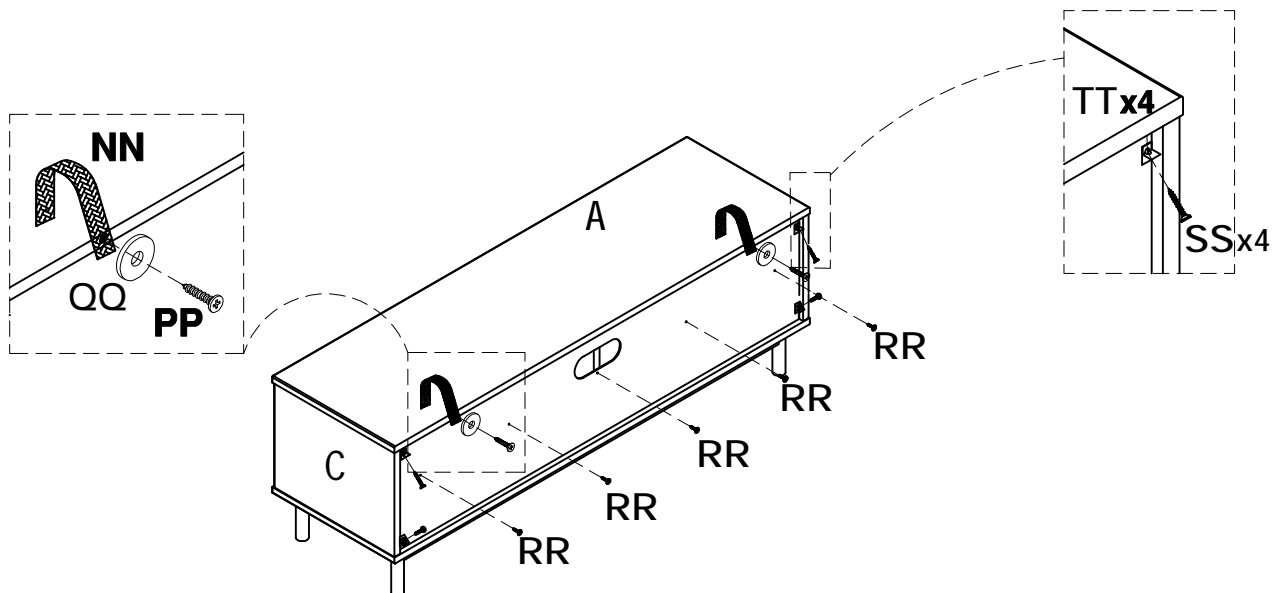


Assembly (continued)

13 Connect table top panel(A) with cam lock(BB) from step 12, then attached the round sticker(MM) as shown

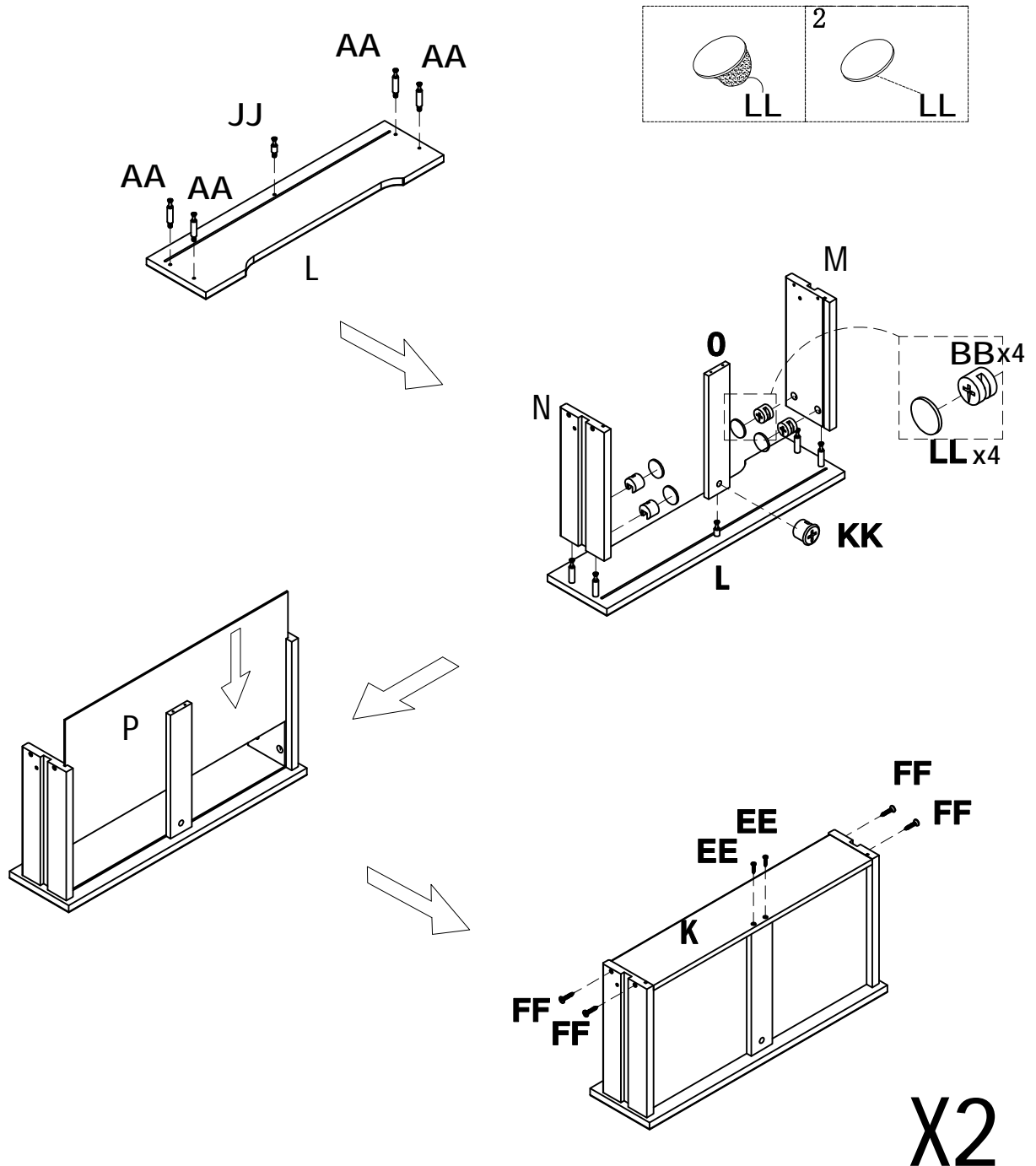


14 Locked strap(NN) to the table with screw(PP) and washer(QQ), then locked screw (RR) to back panel and locked support(TT) with screw(SS) to back panel as shown



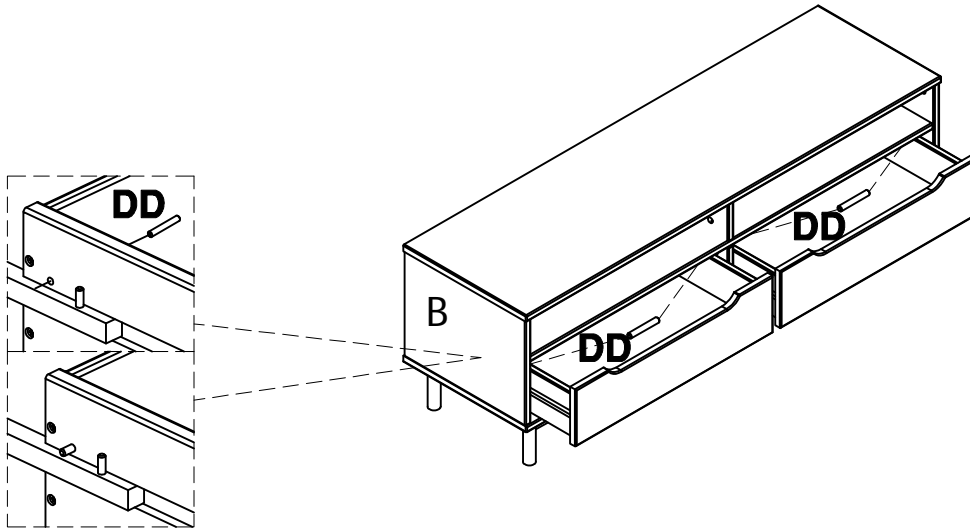
Assembly (continued)

- 15** Locked cam bolt(AA&JJ) to drawer front panel(L),connect drawer left and right side panel(N&M) and drawer bottom bar(O) with cam lock(BB&KK),then insert drawer bottom panel(P),locked drawer back panel(K) with screw(FF&EE) as shown

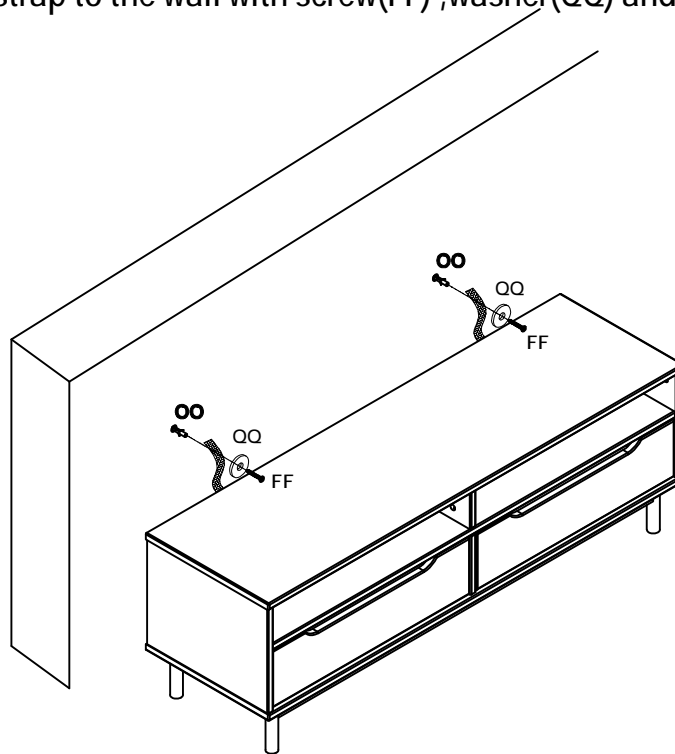


Assembly (continued)

16 Attached wooden downen(DD) to prevent drawer slipping out as shown



17 Locked strap to the wall with screw(FF) ,washer(QQ) and wall anchor(OO) as shown



Maintenance

- Keep the product away from direct heat and sunlight .
- Prolonged exposure to heat sources may cause scorching, or even cause color to fade .
- Regular vacuuming or light brushing helps to remove dirt and prevent soil build-up, which increases the appearance of wear .
- Periodically (every 90 days) make sure that the screws are fully tightened .

Care and Cleaning

- Handle with care.
- Use a slightly damp cloth to clean the product. Do not use bleach or use abrasive cleaning material .
- Check all the fittings periodically and re-tighten as necessary. Do not use the product if any of the parts are damaged or broken .
- Never allow any kind of liquid to remain on your furniture .
- Absorption can make wood warp or delaminate .
- Do not place hot items (e.g. hot drinks) directly onto the wood surface.
- Do not drag and /or pull the furniture .
- Never use harsh chemicals or solvents on your product as this may damage the metal .
- Marks and stains from pens, crayons and ink markers are difficult to remove. In the event that your products become permanently stained, we recommend that you consult a professional .

StyleWell™

Questions, problems, missing parts?
Before returning to the store, call Customer Service
8 a.m. - 7 p.m., EST, Monday - Friday, 9 a.m. - 6 p.m., EST, Saturday

1-877-527-0313

HOMEDEPOT.COM

Retain this manual for future use.