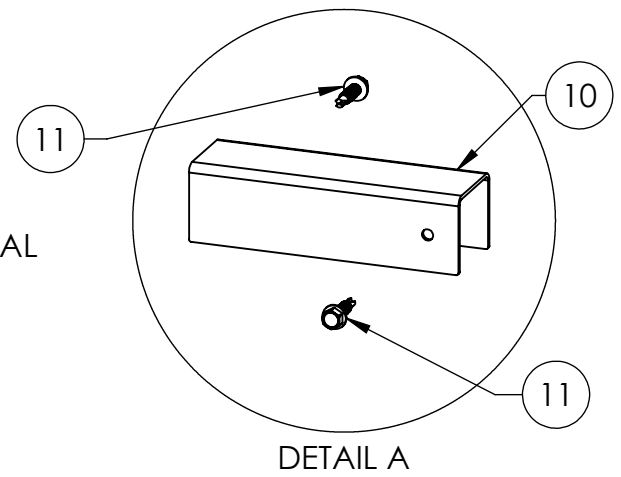
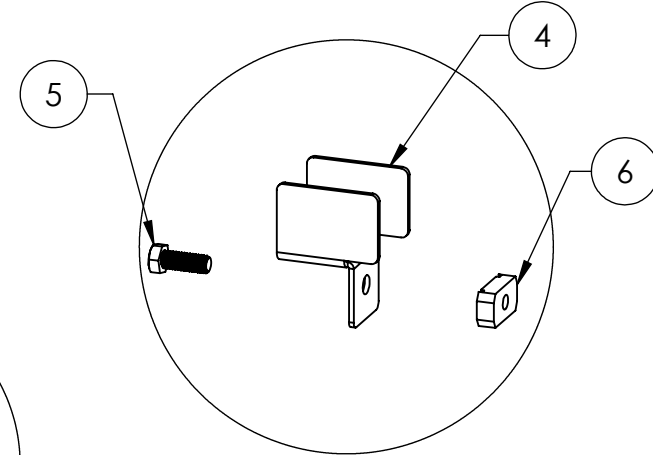


NOTES

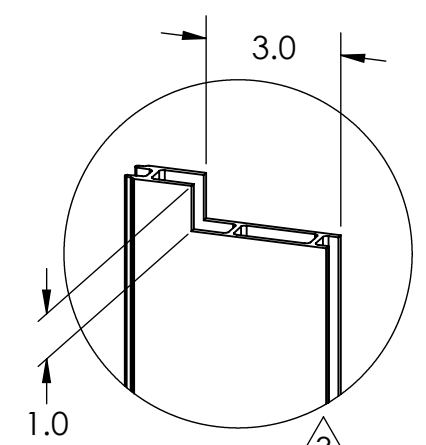
- 1. SHOWN RECOMMENDED FOOTER. FOR STRUCTURAL LOADS, FOOTINGS SHALL BE DESIGNED BY OTHER IN ACCORDANCE WITH LOCAL CODES
- 2. THIS FENCE DESIGN IS INTENDED TO BE AT GROUND LEVEL. IT IS NOT INTENDED TO MEET CODES FOR ELEVATED BALCONIES OR STRUCTURAL RAILINGS
- 3. CUT FIRST IN LAST FENCE BOARD IN LOCATION SHOWN



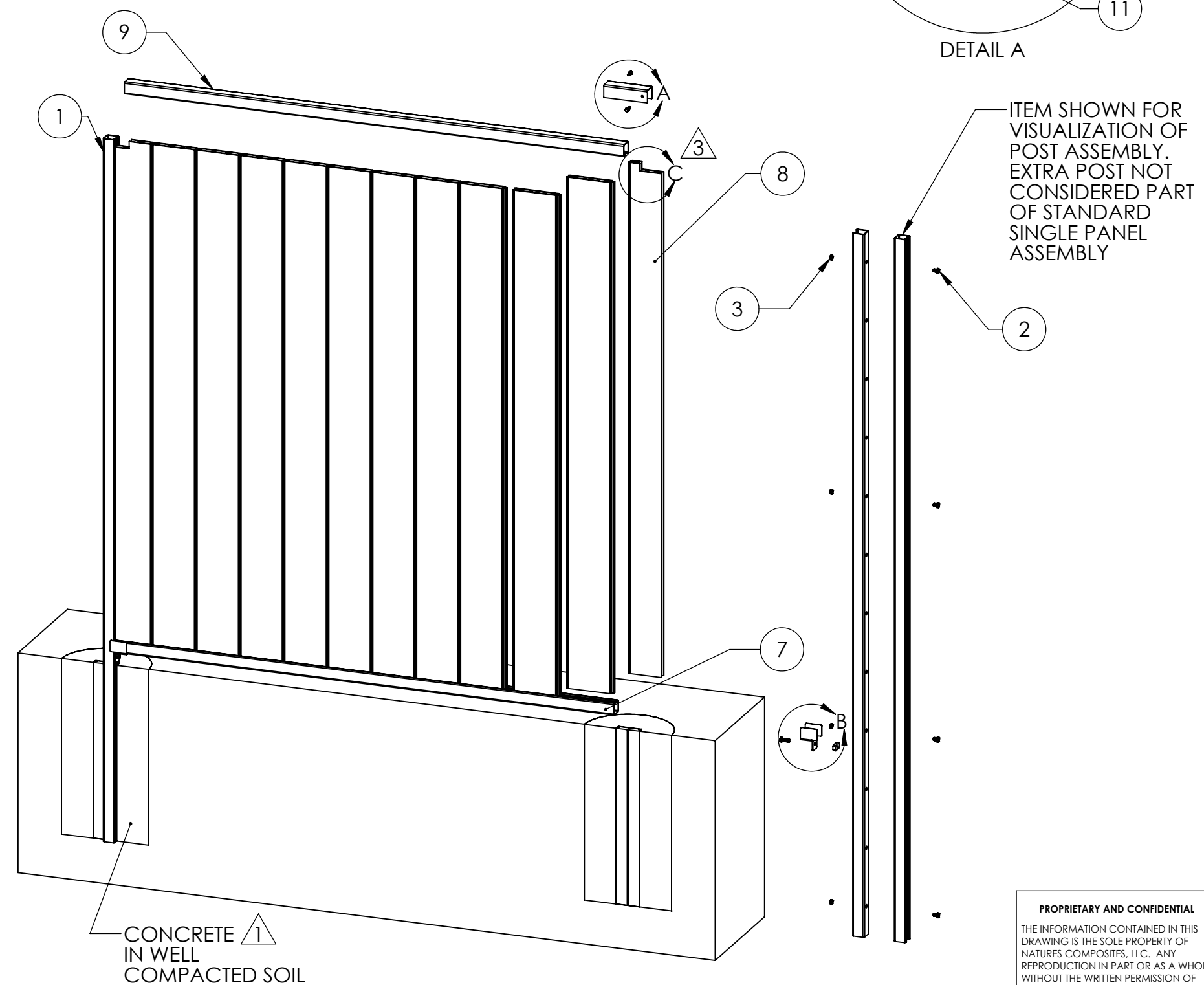
DETAIL A



DETAIL B



DETAIL C



ITEM SHOWN FOR VISUALIZATION OF POST ASSEMBLY. EXTRA POST NOT CONSIDERED PART OF STANDARD SINGLE PANEL ASSEMBLY

CONCRETE 1
IN WELL
COMPACTED SOIL

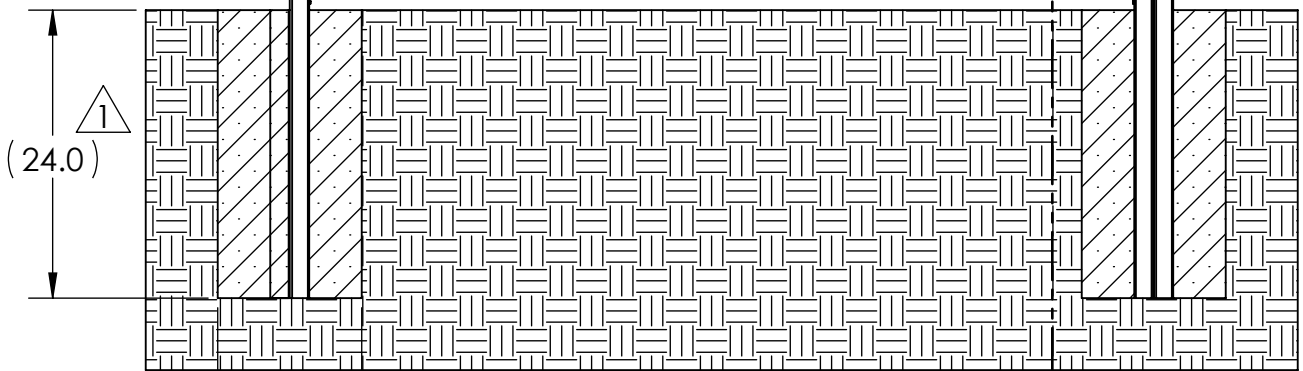
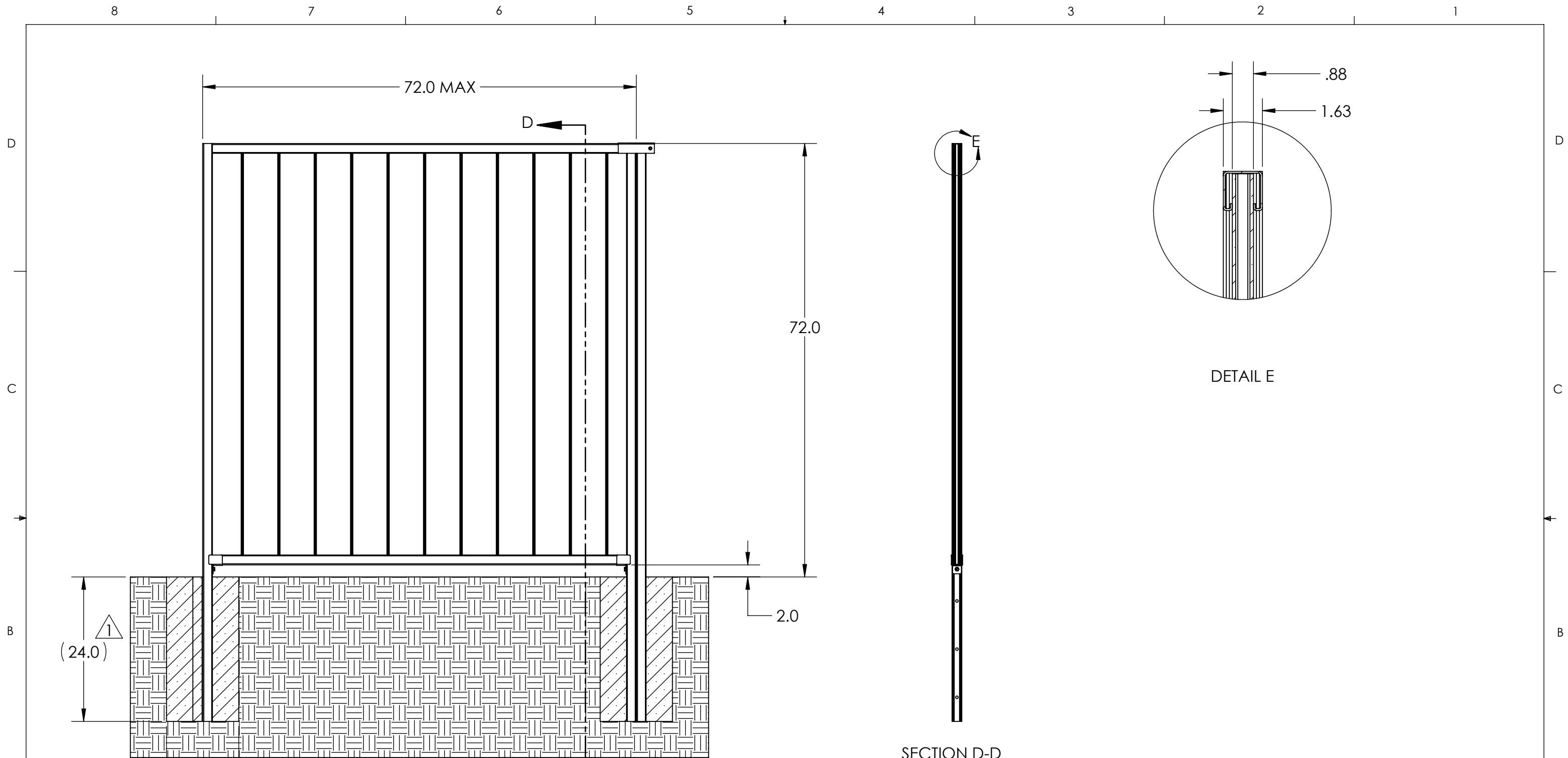
REVISIONS			
REV.	DESCRIPTION	DATE	APPROVED
-	INITIAL RELEASE	11/13/2019	JTM

11	COM	SCREW, 1/4" - 20 X 1" CORROSION-RESISTANT SELF DRILLING	2
10	200003	TOP CAP	1
9	200027	STEEL CHANNEL, SLOTTED	1
8	300340	FENCE BOARD, HOLLOW T&G	12
7	200027	STEEL CHANNEL, SLOTTED	1
6	200007	CHANNEL NUT, 3/8"-16	2
5	COM	BOLT, HEX HEAD 3/8"-16 X 1" STEEL	2
4	200004	BOTTOM BRACKET	2
3	COM	NUT, THIN NYLON-INSERT LOCKNUT 3/8"-16 ZINC PLATED STEEL	4
2	COM	BOLT, HEX HEAD 3/8"-16 X 1/2" ZINC PLATED STEEL	4
1	200028	POST, STEEL CHANNEL	2
ITEM NO.	PART NO.	DESCRIPTION	QTY.

BILL OF MATERIALS

UNLESS OTHERWISE SPECIFIED:		NAME	DATE	<p>1302 Industrial Park Avenue, Torrington, Wyoming 82240 (307) 532-9942 WWW.NATURESCOMPOSITES.COM</p>
DIMENSIONS ARE IN INCHES TOLERANCES: FRACTIONAL: ±1/16" ANGULAR: MACH ± 1° BEND ± 5° TWO PLACE DECIMAL: ±.010 THREE PLACE DECIMAL: ±.005		DRAWN	J.T. MITCHELL 11/11/2019	
INTERPRET GEOMETRIC TOLERANCING PER:		ENG APPR.	J.T. MITCHELL 11/13/2019	TITLE:
MATERIAL		COMMENTS:		<p>VERTICAL FENCE ASSEMBLY 6 FT HIGH X 6 FT WIDE</p>
FINISH		AS SPECIFIED		
DO NOT SCALE DRAWING		SIZE	DWG. NO.	REV
		B	100039	-
			SHEET 1 OF 2	

PROPRIETARY AND CONFIDENTIAL
THE INFORMATION CONTAINED IN THIS DRAWING IS THE SOLE PROPERTY OF NATURES COMPOSITES, LLC. ANY REPRODUCTION IN PART OR AS A WHOLE WITHOUT THE WRITTEN PERMISSION OF NATURES COMPOSITES, LLC. IS PROHIBITED.




24.0

Ø 12.0 HOLE

SECTION D-D

DETAIL E

PROPRIETARY AND CONFIDENTIAL
 THE INFORMATION CONTAINED IN THIS DRAWING IS THE SOLE PROPERTY OF NATURES COMPOSITES, LLC. ANY REPRODUCTION IN PART OR AS A WHOLE WITHOUT THE WRITTEN PERMISSION OF NATURES COMPOSITES, LLC. IS PROHIBITED.

UNLESS OTHERWISE SPECIFIED:		NAME	DATE	 <small>1302 Industrial Park Avenue, Torrington, Wyoming 82240 (307) 532-9942 WWW.NATURESCOMPOSITES.COM</small>	
DIMENSIONS ARE IN INCHES		DRAWN	J.T. MITCHELL		11/11/2019
TOLERANCES:		ENG APPR.	J.T. MITCHELL	11/13/2019	TITLE:
FRACTIONAL: ±1/16"					VERTICAL FENCE ASSEMBLY 6 FT HIGH X 6 FT WIDE
ANGULAR: MACH ± 1° BEND ± 5°					
TWO PLACE DECIMAL: ±.010					
THREE PLACE DECIMAL: ±.005					
INTERPRET GEOMETRIC TOLERANCING PER:		COMMENTS:			SIZE
MATERIAL					DWG. NO.
AS SPECIFIED					REV
FINISH					B
DO NOT SCALE DRAWING					100039
					-
					SHEET 2 OF 2