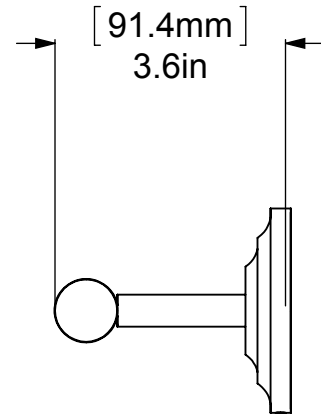
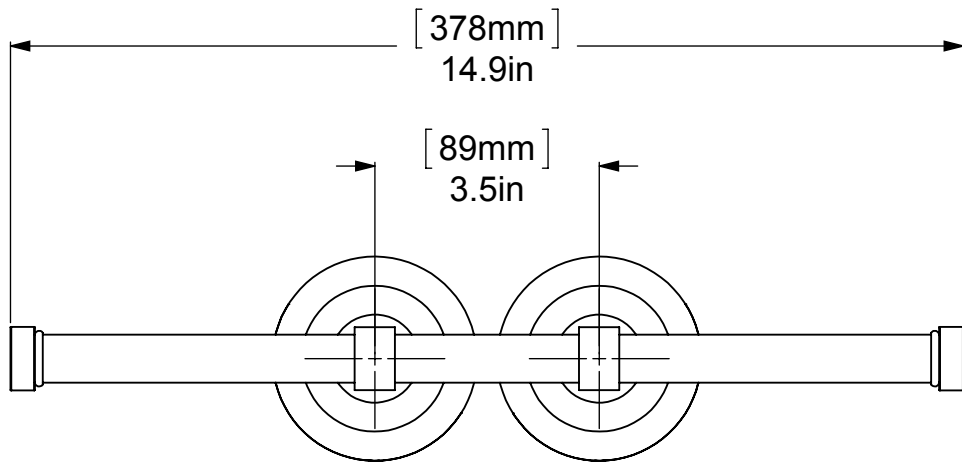
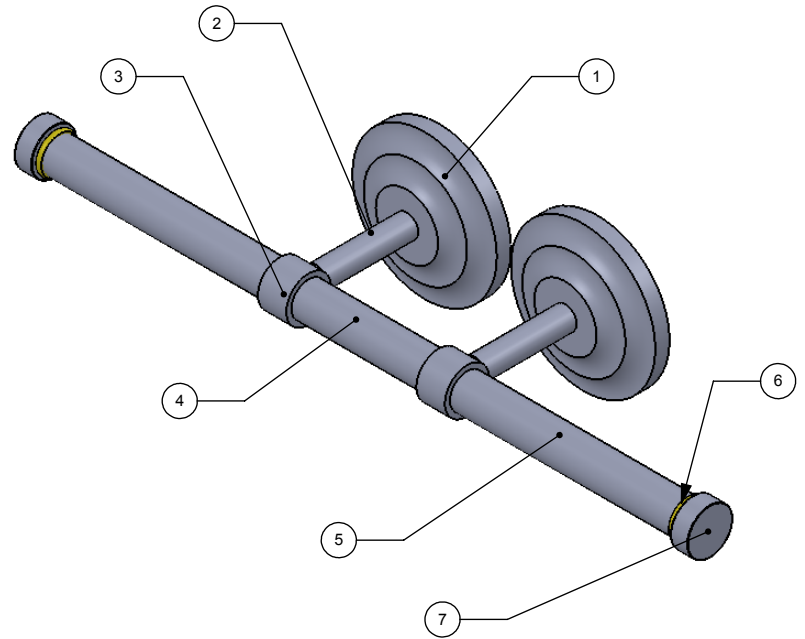


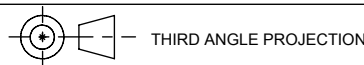
| ITEM NO. | P/N | Description | QTY. |
|----------|---------|-------------|------|
| 1 | BPQN | BACKPLATE | 2 |
| 2 | TU12-2 | Neck | 2 |
| 3 | HB1T-1 | HUB | 2 |
| 4 | TU34-3 | MID TUBE | 1 |
| 5 | TU34-5 | SIDE TUBE | 2 |
| 6 | CRRD-34 | CHECK RING | 2 |
| 7 | CARD-1 | END CAP | 2 |



UNLESS OTHERWISE STATED

| | |
|------|---------------------|
| .X | $\pm .3\text{mm}$ |
| .XX | $\pm .15\text{mm}$ |
| .XXX | $\pm .008\text{mm}$ |

COPYRIGHT © Allied Brass 2016



| | | |
|----------|-----------|-----|
| DRAWN | 6/12/2016 | I.M |
| CHECKED | 6/12/2016 | P.D |
| APPROVED | 6/12/2016 | R.A |

| | |
|--------------|----------------------|
| MATERIAL: | BRASS |
| DESCRIPTION: | TOILET TISSUE HOLDER |
| | |

| | |
|-------------|---------|
| FINISH | TBD |
| QUANTITY | TBD |
| DRAWING No. | QN-24-2 |
| REV | 0 |
| SCALE | 1:3 |
| SHEET: 01 | A4 |