

ASSEMBLY INSTRUCTION

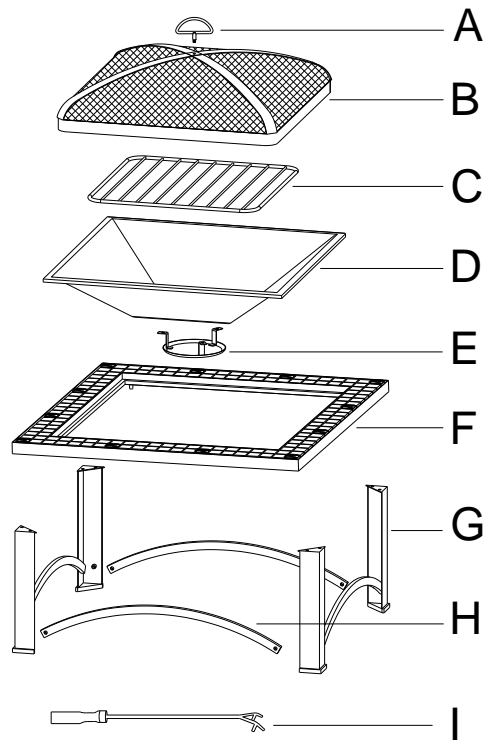
ITEM# L-FT456PST-2B

WARNINGS:

- This fire pit is intended for outdoor use only. DO NOT use on wooden decks.
- Do not use near flammable or combustible objects or materials.
- It is intended to burn wood logs only.
- Do not burn coal, leaves or other combustible materials in the fire pit.
- Not for use by children. Keep children & pets away from the fire pit.
- Never leave burning fire pit unattended.
- Always extinguish fire thoroughly before leaving the fire pit.
- The lift handle will be hot and unsafe to touch during use.
- It can reach extreme temperatures and cause injury to an unprotected hand.
- Use carefully, never touch hot fire pit with bare hands.
- Please use poker, appropriate heat-resistant glove or pad when handling.
- Do not use the fire pit as cooking appliance. It is not designed for grilling food.

Parts List

No.	Description	Qty
A	Handle	1
B	Spark Guard	1
C	Grill	1
D	Fire Bowl	1
E	Ash Tray	1
F	Slate Top	1
G	Legs	4
H	Connection Ring	4
I	Poker	1
AA	M6x10mm Bolt	8
BB	M6 Nut Flange Nut	1
CC	M5 Nut Flange Nut	3
DD	M5x10mm Bolt	3
EE	M6 Nut	8
FF	M5/M6 Wrench	1
GG	M6 Washer	8



Tools you'll need: Wrench (included) and Screwdriver (not included)

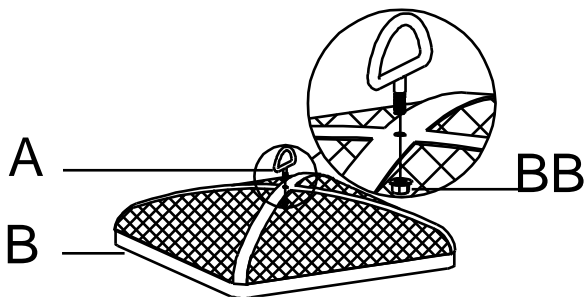
Note:

Inside this carton you will find enclosed hardware and parts listed above. Please check the contents of this package to ensure you have received all of the required parts, and that there is no breakage. It is easy for one person to assemble.

ASSEMBLY STEPS:

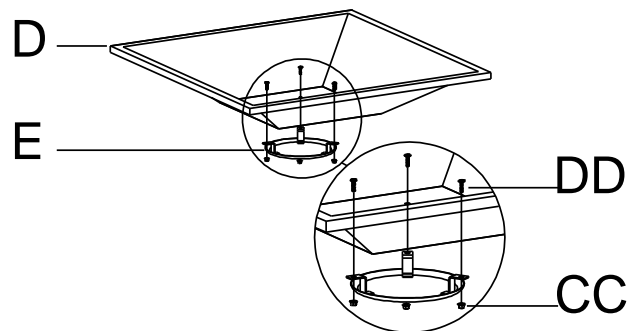
Step 1:

Insert Handle (A) into hole in Spark Guard (B) and tighten it with Nut (BB) underside to secure by the Wrench (FF).



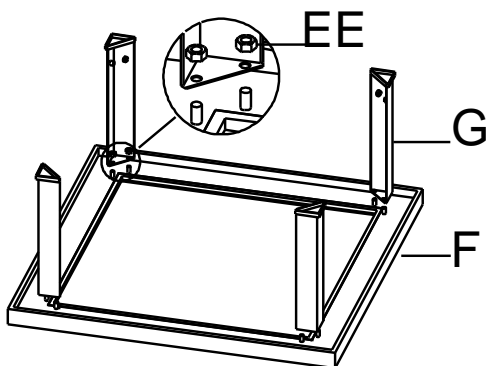
Step 2:

Attach Ash Tray (E) to Fire Bowl (D) using Bolt (DD) and Nut (CC). Then tighten it by Wrench (FF) and screwdriver.



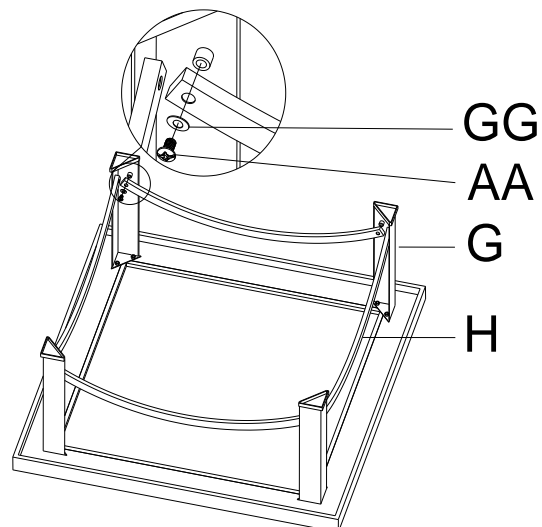
Step 3:

Place the Slate Top (F) upside down on a soft and clean surface. Connect Legs (G) and Slate Top (F) with Nut (EE). Do not tighten them at this time.



Step 4:

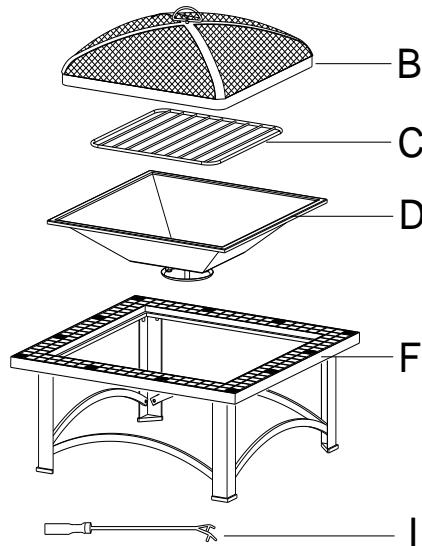
Attach Connection Ring (H) to Leg (G) using Bolt (AA) & Washer (GG). Then tighten all hardware by wrench and screwdriver.



Step 5:

Turn the ready base and slate top over, and then place Fire Bowl (D), Grill(C) and Spark Guard (B) in turn as below.

Now you are ready to use this fire pit. Keep the Poker (I) near your fire pit for use at anytime you need.

**WARRANTY TERM**

Subject to the conditions set out below, this product is warranted to the original purchaser to be free from defects in workmanship and materials for two years from the date of purchase.

1. Satisfactory proof of the purchase date must be furnished at the time of notification of the defect claim under the warranty to be enforceable.
2. This warranty covers all parts found defective in workmanship and/or materials during the warranty period and can be repaired or replaced at the discretion of the manufacturer at no cost to the original purchaser.
3. This warranty will be void and accordingly no claim of any nature will be enforceable if the product has not been assembled, installed or operated according to the instructions, subjected to abuse, improperly treated, neglected, rusted by exposure to the elements, misused and/or if any repairs, maintenance, or service has been done by an unauthorized person.
4. Each of the manufacturer, distributor and retailer will not be liable for any incidental or consequential loss or damage arising from the installation or operation of the product and/or the failure of any part for any reason.
5. There are no other express or implied warranties, except for those stipulated herein. This warranty gives specific rights and the original purchaser may have additional rights and remedies in law.
6. This warranty does not cover commercial use.

Printed in China