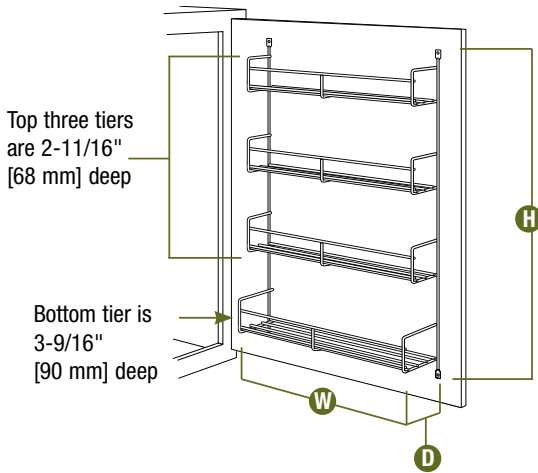


Spice Racks

- KV Eco-Friendly Frosted Nickel finish or White
- Bottom tier is 3-9/16" deep to accommodate larger items

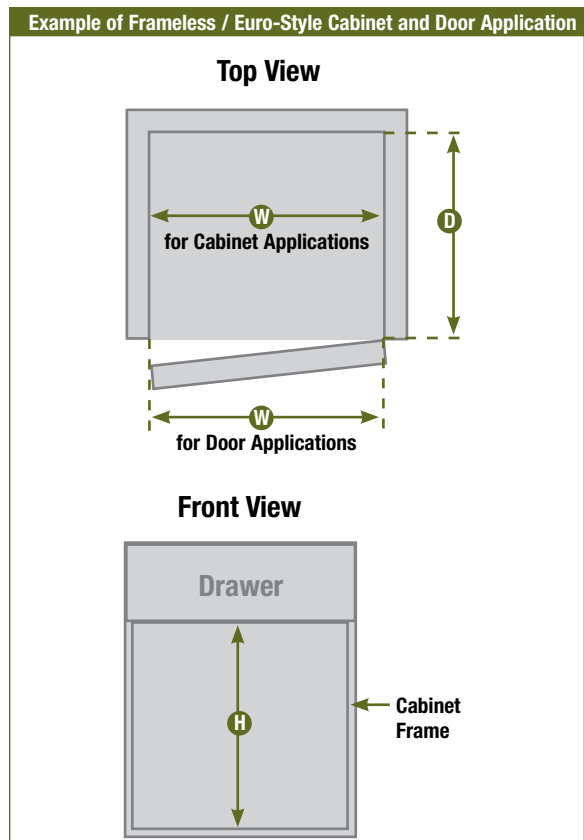
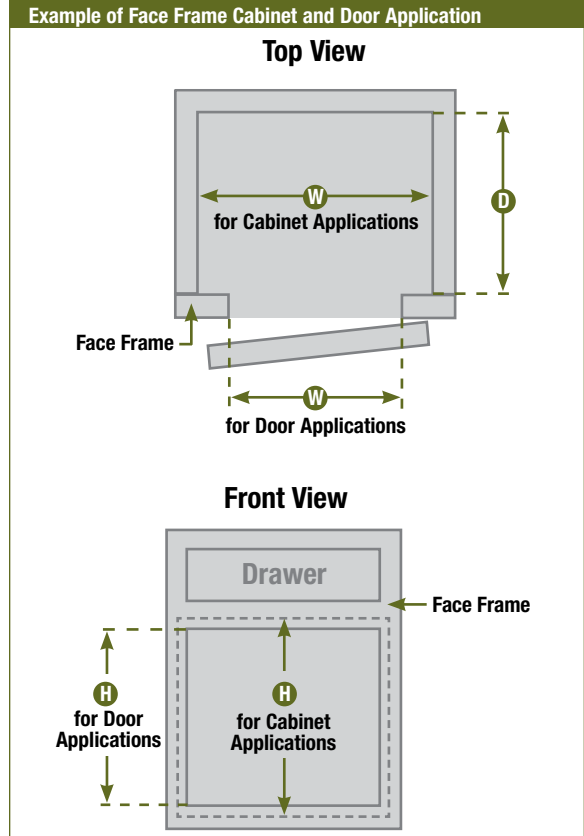


Stock #	Assembled Product Dimensions			Finish [Wire/Platform]	Units per Carton	Weight per Carton
	Width W	Height H	Depth D			
SPICE RACKS						
SR12-FN	7-13/16" [198 mm]	20" [508 mm]	3-7/8" [98 mm]	Frosted Nickel*	6	12.4 lbs. [5.6 kg.]
SR12-1-FN	7-13/16" [198 mm]	20" [508 mm]	3-7/8" [98 mm]	Frosted Nickel*	1	2.5 lbs. [1.1 kg.]
SR15-FN	10-13/16" [275 mm]	20" [508 mm]	3-7/8" [98 mm]	Frosted Nickel*	5	13.2 lbs. [6.0 kg.]
SR15-1-FN	10-13/16" [275 mm]	20" [508 mm]	3-7/8" [98 mm]	Frosted Nickel*	1	2.5 lbs. [1.1 kg.]
SR18-FN	13-13/16" [351 mm]	20" [508 mm]	3-7/8" [98 mm]	Frosted Nickel*	5	14.7 lbs. [6.7 kg.]
SR18-1-FN	13-13/16" [351 mm]	20" [508 mm]	3-7/8" [98 mm]	Frosted Nickel*	1	3.2 lbs. [1.5 kg.]
SR12-W	7-13/16" [198 mm]	20" [508 mm]	3-7/8" [98 mm]	White	6	12.4 lbs. [5.6 kg.]
SR12-1-W	7-13/16" [198 mm]	20" [508 mm]	3-7/8" [98 mm]	White	1	2.5 lbs. [1.1 kg.]
SR15-W	10-13/16" [275 mm]	20" [508 mm]	3-7/8" [98 mm]	White	5	13.2 lbs. [6.0 kg.]
SR15-1-W	10-13/16" [275 mm]	20" [508 mm]	3-7/8" [98 mm]	White	1	2.5 lbs. [1.1 kg.]
SR18-W	13-13/16" [351 mm]	20" [508 mm]	3-7/8" [98 mm]	White	5	14.7 lbs. [6.7 kg.]
SR18-1-W	13-13/16" [351 mm]	20" [508 mm]	3-7/8" [98 mm]	White	1	3.2 lbs. [1.4 kg.]

* Eco-Friendly. See page 4 for more information.

Cabinet Dimensions

Stock #	Minimum Interior Cabinet OR Door Opening Dimensions		
	Width W	Height H	Depth D
WINE RACKS			
WR23.62-FN	23-7/8" [606 mm]	5-1/16" [129 mm]	–
WR29.62-FN	29-7/8" [759 mm]	5-1/16" [129 mm]	–
WR35.62-FN	35-7/8" [911 mm]	5-1/16" [129 mm]	–
WR41.62-FN	41-7/8" [1,064 mm]	5-1/16" [129 mm]	–
STEMWARE HOLDERS			
ST11.50-B	4-1/2" [114 mm]	2-1/2" [64 mm]	11-13/16" [300 mm]
ST11.50-FN	4-1/2" [114 mm]	2-1/2" [64 mm]	11-13/16" [300 mm]
SPICE RACKS			
SR12-FN	9-5/8" [244 mm]	20-1/2" [521 mm]	4-1/8" [105 mm]
SR12-1-FN	9-5/8" [244 mm]	20-1/2" [521 mm]	4-1/8" [105 mm]
SR15-FN	12-3/8" [314 mm]	20-1/2" [521 mm]	4-1/8" [105 mm]
SR15-1-FN	12-3/8" [314 mm]	20-1/2" [521 mm]	4-1/8" [105 mm]
SR18-FN	15" [381 mm]	20-1/2" [521 mm]	4-1/8" [105 mm]
SR18-1-FN	15" [381 mm]	20-1/2" [521 mm]	4-1/8" [105 mm]
SR12-W	9-5/8" [244 mm]	20-1/2" [521 mm]	4-1/8" [105 mm]
SR12-1-W	9-5/8" [244 mm]	20-1/2" [521 mm]	4-1/8" [105 mm]
SR15-W	12-3/8" [314 mm]	20-1/2" [521 mm]	4-1/8" [105 mm]
SR15-1-W	12-3/8" [314 mm]	20-1/2" [521 mm]	4-1/8" [105 mm]
SR18-W	15" [381 mm]	20-1/2" [521 mm]	4-1/8" [105 mm]
SR18-1-W	15" [381 mm]	20-1/2" [521 mm]	4-1/8" [105 mm]
DOOR-MOUNT TOWEL BARS			
TB-1-W	12-15/16" [329 mm]	6" [152 mm]	3-5/8" [92 mm]
TB-FN	12-15/16" [329 mm]	6" [152 mm]	3-5/8" [92 mm]
TB-W	12-15/16" [329 mm]	6" [152 mm]	3-5/8" [92 mm]
UTILITY RACK			
UT9-W	11-3/4" [298 mm]	9-1/2" [241 mm]	6-3/16" [157 mm]
TRAY DIVIDERS			
TD12-1-FN	–	12-3/8" [314 mm]	20-1/8" [511 mm]
TD12-FN	–	12-3/8" [314mm]	20-1/8" [511 mm]
TD18-1-FN	–	18-3/8" [467mm]	20-1/8" [511 mm]
TD18-FN	–	18-3/8" [467mm]	20-1/8" [511 mm]
TD12-1-W	–	12-3/8" [314mm]	20-1/8" [511 mm]
TD12-W	–	12-3/8" [314mm]	20-1/8" [511 mm]
TD18-1-W	–	18-3/8" [467mm]	20-1/8" [511 mm]
TD18-W	–	18-3/8" [467mm]	20-1/8" [511 mm]
IRON HOLDER			
IH-FN	8-5/8" [219 mm]	length of iron + 1-1/2" [38 mm]	height of iron + 1" [25 mm]
GROOMING RACK			
GR12-FN	11-1/4" [286 mm]	17" [432 mm]	5-1/2" [140 mm]
TOILET PAPER HOLDER			
TPH-531-W	7-7/16" [189 mm]	16-1/2" [419 mm]	5-3/4" [146 mm]



Dimensions shown are recommended minimum cabinet and door dimensions.