



(80 CFM)

	<b>Full Speed:</b>	<b>Low Speed:</b>		
	80 CFM/0.8 Sones @ 0.1 SP, 9.7 Watts 68 CFM/1.2 Sones @ 0.25 SP, 11.8 Watts	50 CFM/<0.3 Sones @ 0.1 SP, 4.0 Watts 37 CFM/1.0 Sones @ 0.25 SP, 6.0 Watts		

**Description**

Low noise ceiling mount ventilating fan rated for continuous running. Fan is ENERGY STAR® qualified, HVI, UL, and cUL certified, and can be used to comply with ASHRAE 62.2 (local and whole building continuous and intermittent operation), CA Title 24, and CALGreen requirements.

**Motor/Blower**

- Power Rating of 120 volts/60Hz.
- DC Brushless motor engineered to run continuously.
- Motor equipped with thermal cutoff fuse.
- Removable with permanently lubricated plug-in motor

**Housing**

- Galvanized steel body.
- Detachable 4" diameter metal duct adapter.
- Built-in backdraft damper.
- Easy installation with expandable extension bracket

**Grille**

- Attractive design using ABS material.
- Attaches directly to housing with torsion springs.

**Warranty**

- 3-year limited warranty.

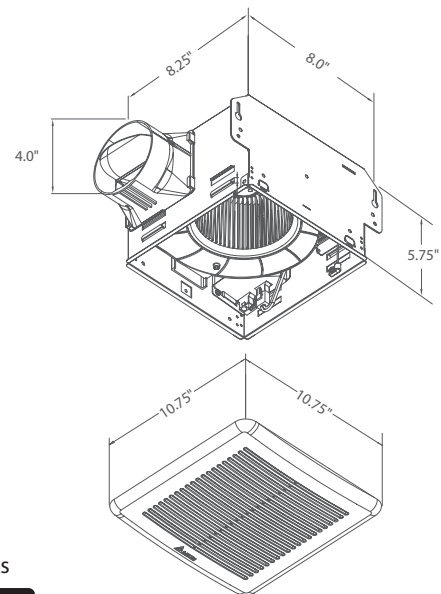
**Feature**

- Blue and amber LED indicator lights to show humidity sensor and full speed modes
- Adjustable humidity set points between ~50% to ~80% RH.
- Adjustable low speed airflow.
- For ceiling mount only, airflow of 80 CFM(±10%) and 0.8 sones at 0.1" static pressure.
- Power consumption approximately 9.7 Watts with an efficiency rating approximately 8.2 CFM/Watt at 0.1" static pressure.
- UL and cUL listed for tub/shower enclosure when used with GFCI-protected branch circuit wiring.

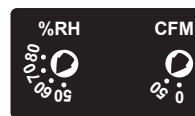
**DC Motor Technology**

- Allows fan to operate in full speed mode or humidity control mode by manual switch.
- For humidity control mode, when humidity is above the user-adjustable set-point, fan runs at full speed (80 CFM). When humidity is below the set-point, the fan runs continuously at a pre-set lower level (0 or 50 CFM).
- Built-in soft start function to increase bearings life.
- Automatically powers OFF when impeller is locked abnormally.

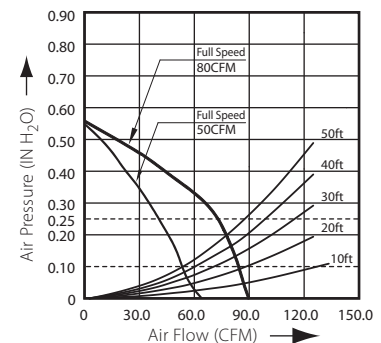
GBR80H Dimensions



Control Options



Fan Curve



GBR80H	Continuous low speed		Full speed	
	0.1	0.25	0.1	0.25
Static Pressure (inches w.g.)	0.1	0.25	0.1	0.25
Air Flow (CFM)	50	37	80	68
Sones	<0.3	1.0	0.8	1.2
Power Consumption (Watts)	4.0	6.0	9.7	11.8
Energy Efficiency (CFM/Watt)	12.5	6.1	8.2	5.7
Current (Amps)	0.16 Max		0.22 Max	
Power Rating (V/Hz)	120 / 60			

Model	Quantity	Comments	Project:
			Location:
			Architect:
			Engineer:
			Contractor:
			Submitted by:
			Date: