

# DVG52M8650V

SAMSUNG

## Samsung Gas Dryer

7.4 cu. ft. Capacity DOE



### Signature Features

#### 2017 ENERGY STAR® Certified

- Meets the strict 2017 energy efficiency specifications and standards.


#### Multi-Steam Technology

- Steam away wrinkles, odors, bacteria and static.

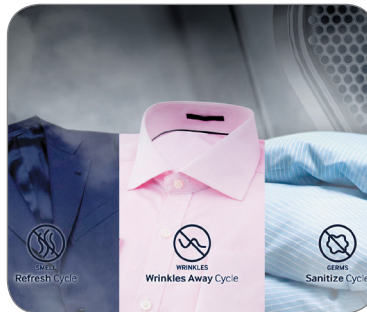
#### Eco Dry

- Uses up to 25% less energy for every load.

### Available Colors

 Fingerprint Resistant  
Black Stainless Steel (shown)

 White



Multi-Steam Technology



Eco Dry

### Features

- 2017 ENERGY STAR® Certified
- Multi-Steam Technology
- Eco Dry
- Sensor Dry
- Smart Care
- Integrated Controls
- 12 Preset Dry Cycles
- 10 Options
- 4 Temperature Settings
- Interior Drum Light
- 7.4 cu. ft. Capacity
- LED Display: Ice Blue
- Reversible See-Through Door
- Wrinkle Prevent Option
- 3-Way Venting
- Powder Coat Interior

### Convenience

- Child Lock
- Filter Check Indicator

# DVG52M8650V

# SAMSUNG

## Samsung Gas Dryer

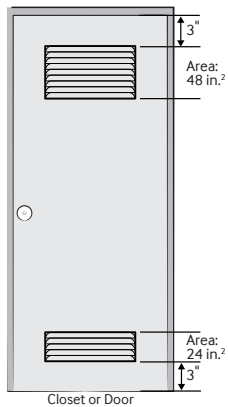
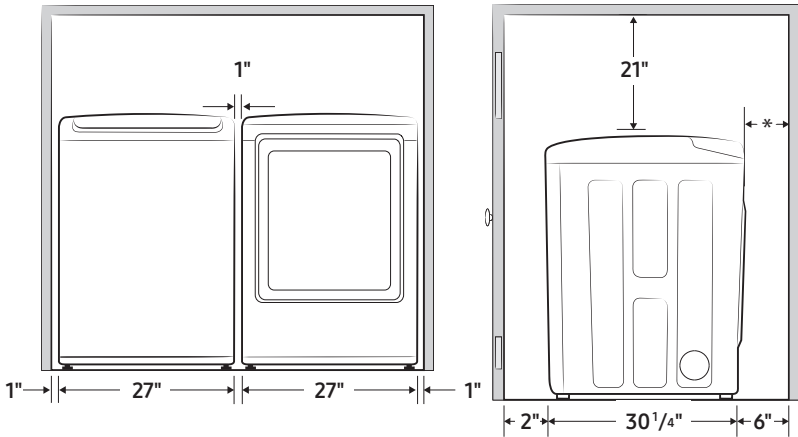
7.4 cu. ft. Capacity DOE

### Installation Specifications

#### Alcove or closet installation

Recessed Area

Side View Confined



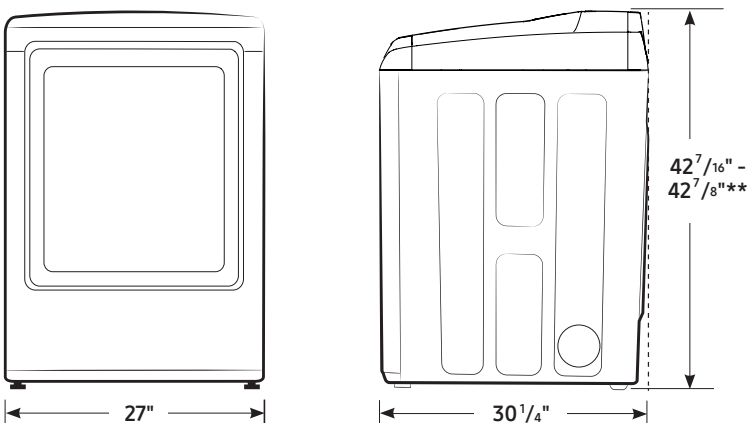
#### Minimum clearances for closets and alcoves:

Sides – 1"  
Top – 21"  
Rear – 6"  
Closet Front – 2"

If the washer and dryer are installed together, the closet front must have at least a 72-inch² unobstructed air opening. Your washer alone does not require a specific air opening.

\*Required spacing (External exhaust elbow may require additional space.)

### Dimensions



\*\*Adjustable height depending on leveling feet.

### 3-Way Venting

#### 12 Preset Dry Cycles:

Steam Refresh, Steam Sanitize, Steam Wrinkle Away, Normal, Heavy Duty, Permanent Press, Bedding, Delicates, Active Wear, Time Dry, Air Fluff, Quick Dry

#### 10 Options:

Mixed Load Bell, Wrinkle Prevent, Adjust Time (Up), Adjust Time (Down), Child Lock, Sound On/Off, Anti-Static, Eco Dry, Smart Care, Drum Light

#### 4 Temperature Settings:

High, Medium, Low, Extra Low

#### 4 Dry Levels:

Very Dry, More Dry, Normal Dry, Damp Dry

#### 2 Sound Level Settings:

On/Off

### Warranty

One (1) Year Parts and Labor

### Product Dimensions & Weight (WxHxD)

Dimensions: 27" x 42 7/16" x 30 1/4"

Weight: 121.3 lbs

### Shipping Dimensions & Weight (WxHxD)

Dimensions: 29 9/16" x 45 5/8" x 31 3/16"

Weight: 130.1 lbs

Gas	Model #	UPC Code
Fingerprint Resistant		
Black Stainless Steel	DVG52M8650V	887276196909
White	DVG52M8650W	887276196916

### Electric

Fingerprint Resistant		
Black Stainless Steel	DVE52M8650V	887276196879
White	DVE52M8650W	887276196992

### Matching Washer

Fingerprint Resistant		
Black Stainless Steel	WA52M8650AV	887276196442
White	WA52M8650AW	887276196459