



Outdoor Patio Heater INFRARED BURNER

Model # LIP-09A-TGG
Item # 62224



DANGER

FOR YOUR SAFETY:
If you smell gas:
1. Shut off gas to the appliance.
2. Extinguish any open flame.
3. If odor continues, keep away from the appliance and immediately call your gas supplier or fire department.

DANGER

DANGER indicates an imminently hazardous situation which, if not avoided, will result in death or serious injury.

DANGER

Failure to comply with the precautions and instructions provided with this heater can result in death, serious bodily injury and property loss or damage from hazards of fire, explosion, burn, asphyxiation, and/or carbon monoxide poisoning. Only persons who can understand and follow the instructions should use or service this heater.

WARNING

Do not store or use gasoline or other flammable vapors and liquids in the vicinity of this or any other appliance. An LP-cylinder not connected for use shall not be stored in the vicinity of this or any other appliance.

WARNING

Improper installation, adjustment, alteration, service or maintenance can cause property damage, injury or death. Read the installation, operation and maintenance instructions thoroughly before installing or servicing this equipment.

WARNING

FOR OUTDOOR USE ONLY!

ATTACH YOUR RECEIPT HERE

Serial Number _____ Purchase Date _____



Questions, problems, missing parts? Before returning to your retailer, call our customer service hotline at **1-866-985-7877**, 9 a.m. – 6 p.m., EST, Monday – Friday or email at cservice@welltraveled.net.

TABLE OF CONTENTS

Table of Contents.....	Page 2
Before You Begin.....	Page 2
Safety Information.....	Page 3-4
Package Contents.....	Page 5
Hardware Contents.....	Page 6
Assembly.....	Page 6-11
Operating Instructions.....	Page 12-14
Care and Maintenance.....	Page 14-15
Troubleshooting.....	Page 16
Replacement Parts List.....	Page 17
Warranty Information.....	Page 18

BEFORE YOU BEGIN

Please read and understand this entire manual before attempting to assemble, operate or install this appliance. If you have any questions regarding the product, please call customer service **1-866-985-7877**, 9 a.m. – 6 p.m., EST, Monday – Friday.

This manual contains important information about the assembly, operation and maintenance of this patio heater. General safety information is presented in the first few pages and is also located throughout this manual. Keep this manual for future reference and to educate new users of this appliance. This manual should be read in conjunction with the labeling on the appliance. Safety precautions are essential when any mechanical or propane fueled equipment is involved. These precautions are necessary when using, storing, and servicing. Using this appliance with the respect and caution demanded will reduce the possibilities of personal injury or property damage. The following symbols shown below are used extensively throughout this manual. Always heed these precautions, as they are essential when using any mechanical or propane fueled equipment.

SAFETY INFORMATION

DANGER

- * EXPLOSION – FIRE HAZARD
- * Keep solid combustibles, such as building materials, paper, or cardboard a safe distance away from the heater as recommended by the instructions.
- * Provide adequate clearances around air openings into the combustion chamber.
- * Never use the heater in spaces which do or may contain volatile or airborne combustibles, or products such as gasoline, solvents, paint thinner, dust particles or unknown chemicals.
- * During operation, this appliance can be a source of ignition. Keep heater area clear and free from combustible materials, gasoline, paint thinner, cleaning solvents and other flammable vapors and liquids. Do not use heater in areas with high dust content. Minimum heater clearances from combustible materials: three (3) feet or 36 inches from top and two (2) feet or 24 inches from sides.

DANGER

- * EXPLOSION – FIRE HAZARD
- * Never store propane near high heat, open flames, pilot lights, direct sunlight, other ignition sources or where temperatures exceed 120 degrees F (49 degrees C).
- * Propane vapors are heavier than air and can accumulate in low places. If you smell gas, leave the area immediately.
- * Never install or remove propane cylinder while heater is lighted, near flame, pilot lights, or other ignition sources or while heater is hot to the touch.
- * This heater is red hot during use and can ignite flammables too close to the burner. Keep flammables at least 3 feet (36 inches) from top and 2 feet (24 inches) from sides. Keep gasoline and other flammable liquids and vapors well away from heater.
- * Store the propane cylinder outdoors in a well ventilated space out of the reach of children. Never store the propane cylinder in an enclosed area (house, garage, etc.). If heater is to be stored indoors, disconnect the propane cylinder for outdoor storage.

WARNING

We cannot foresee every use which may be made of our heaters. Check with your local fire safety authority if you have questions about heater use. Other standards govern the use of fuel gasses and heat producing products for specific uses. Your local authorities can advise you about these. If no local codes exist, follow National Fuel Gas Code, ANSI Z223.1. In Canada, installation must conform to local codes. If no local codes exist, follow the current National standards of CANADA CAN/CGA-B 149.2.

DANGER

- * CARBON MONOXIDE HAZARD
- * This heater is a combustion appliance. All combustion appliances produce carbon monoxide (CO) during the combustion process. This product is designed to produce extremely minute, non-hazardous amounts of CO if used and maintained in accordance with all warnings and instructions. Do not block the air flow into or out of the heater.
- * Carbon Monoxide (CO) poisoning produces flu-like symptoms, watery eyes, headaches, dizziness, fatigue and possibly death. You can't see and you can't smell it. It is an invisible killer. If these symptoms are present during operation of this product get fresh air immediately!
- * For outdoor use only.
- * Never use inside house or other unventilated or enclosed areas.
- * This heater consumes air (oxygen). Do not use in unventilated or enclosed areas to avoid endangering your life.

WARNING

WARNING indicates an imminently hazardous situation which, if not avoided, will result in death or serious injury.

WARNING: FOR OUTDOOR USE ONLY



CARBON MONOXIDE HAZARD

This appliance can produce carbon monoxide which has no odor. Using it in an enclosed space can kill you. Never use this appliance in an enclosed space such as a camper, tent or home.

WARNING

- * Do NOT use this heater when it is raining, and do not allow any liquid to splash on the glass tube while the heater is working.
- * Keep children away from the heater.
- * Always be careful not to knock over the heater as this could cause breakage of the glass tube and cause injury.
- * Always inspect the glass tube before each use. **DO NOT USE THE HEATER IF THE GLASS TUBE IS CHIPPED OR CRACKED.**

SAFETY INFORMATION



WARNING

California Proposition 65

Warning: Combustion by-products produced when using this product contain chemicals known to the State of California to cause birth defects or other reproductive harm.



WARNING

BURN HAZARD

- * Never leave heater unattended when hot or in use.
- * Keep out of reach of children.



WARNING

Certain materials or items, when stored under the heater, will be subject to radiant heat and could be seriously damaged.



CAUTION

SERVICE SAFETY

- * Keep all connections and fittings clean. Make sure propane cylinder valve outlet is clean.
- * During set up, check all connections and fittings for leaks using soapy water. Never use a flame to check for leaks.
- * Use as a heating appliance only. Never alter in any way to use with any device.



CAUTION

CAUTION indicates an imminently hazardous situation which, if not avoided, may result in minor or moderate personal injury, or property damage.



WARNING

* This product is fueled by propane gas. Propane gas is invisible, odorless, and flammable. An odorant is normally added to help detect leaks and can be described as having a "rotten egg" smell. The odorant can fade over time so leaking gas is not always detectable by smell alone.

* Propane gas is heavier than air and leaking propane will sink to the lowest level possible. It can ignite by ignition sources including matches, lighters, sparks or open flames of any kind many feet away from the original leak. Use only propane gas set up for vapor withdrawal.

* Store or use propane gas in compliance with local ordinances and codes or with ANSI/NFPA 58. Turn off propane when not in use.



WARNING

* Alert children and adults to the hazards of high surface temperatures. Stay away from these surfaces to avoid burning skin or igniting clothing.

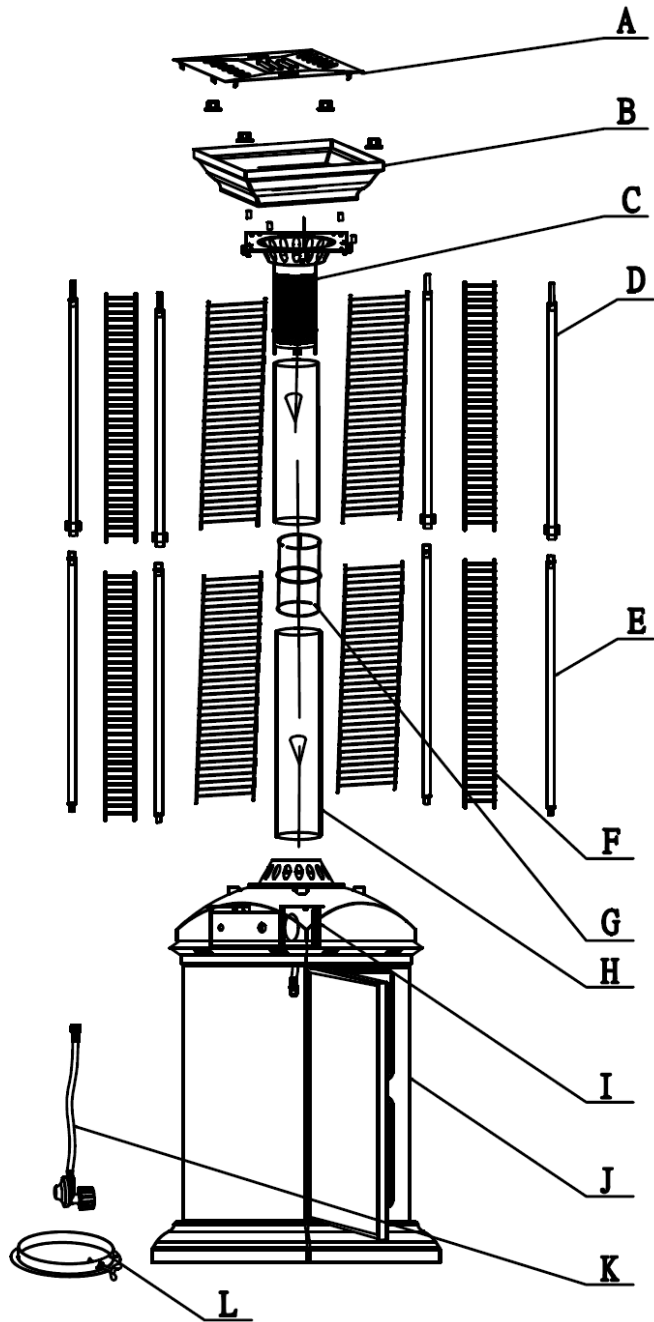
* Carefully supervise young children when in the vicinity of the heater.

* Do not hang clothing or any other flammable materials from the heater, or place near the heater.

* Replace any guard or protective device removed for servicing the appliance prior to placing back in service.

* Installation and repair should be done by a qualified service person. The heater should be inspected before use and annually by a qualified service person. More frequent cleaning may be required as necessary. It is imperative that the control compartment, burners, and circulating air passageway of the appliance be kept clean.

PACKAGE CONTENTS



PART	DESCRIPTION	QTY
A	Top Cap	1
B	Reflector	1
C	Emitter	1
D	Upper Supports	4
E	Lower Supports	4
F	Mesh Guards	8
G	Glass Tube Connector	1
H	Glass Tube	2 pcs
I	Burner	1
J	Tank Housing/Base Assembly (with wheels)	1
K	Regulator/Hose assembly	1
L	Cylinder Holder	1

HARDWARE CONTENTS



4 pcs. M8 Nut

A



4 pcs. M8 Spacer

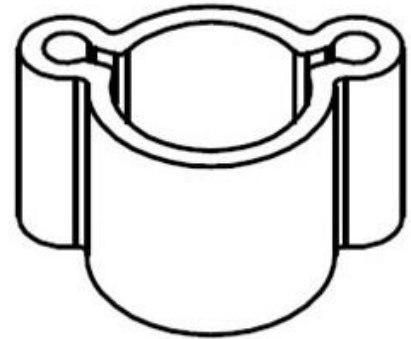
B



3 pcs. M6x12 Bolt

C

INCLUDED IN BLISTER PACK



4 pcs. Mesh Guard
Connectors

D

INCLUDED IN PLASTIC BAG
WITH INSTRUCTION MANUAL

ASSEMBLY

PREPARATION

Before beginning assembly of this appliance, make sure all parts are present. Compare all parts with package contents list and hardware contents as listed on pages 2 and 3 of this manual. If any part is missing or damaged, do not attempt to assemble this product. Contact customer service for replacement parts.

ESTIMATED ASSEMBLY TIME: 60 minutes

Tools Required for Assembly (NOT included):

Phillips screwdriver w/medium blade

Leak Test Solution

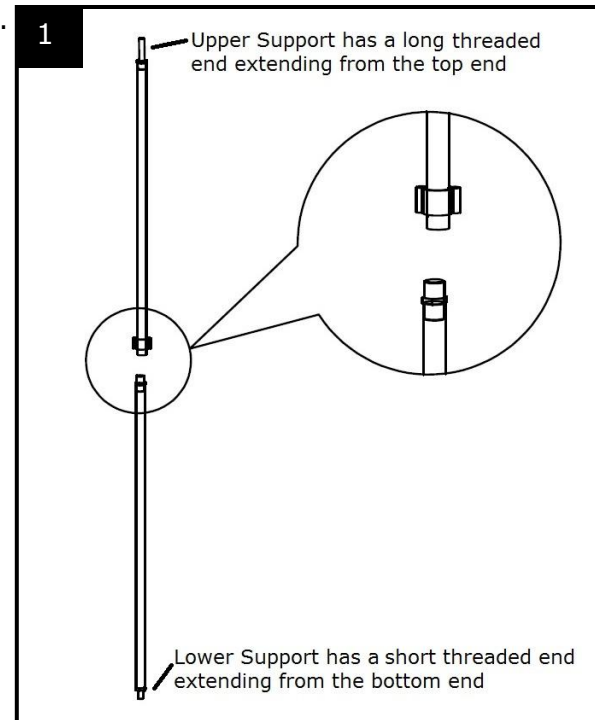
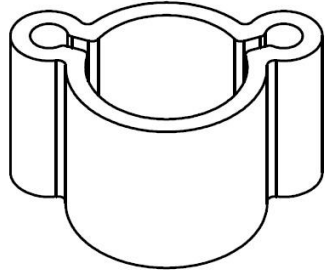
Adjustable wrench - **Note:** 14mm wrench or socket should fit M8 nut.

NOTE: This heater has an Electronic Ignition and will require the installation of 1 - AAA battery. The battery should be installed by unscrewing the **RED IGNITER BUTTON**.

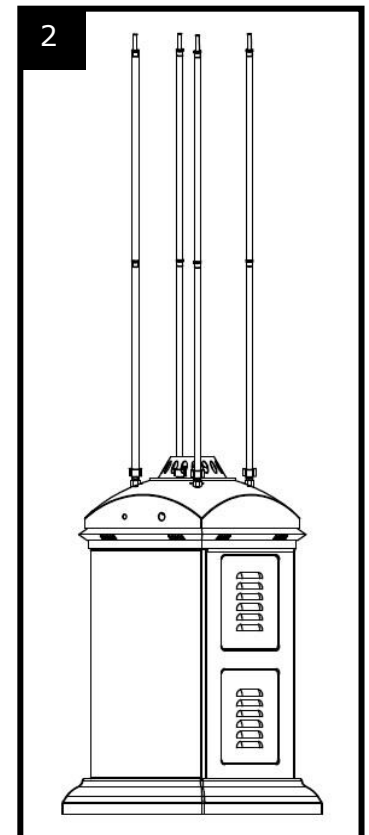
ASSEMBLY

1. Locate 4 pieces of Upper Supports and 4 pieces of Lower Supports. Slide 1 - Mesh Guard Connector over bottom end of Upper Support, then screw Upper Support onto Lower Support (Note: Mesh Guard Connector will remain loose and able to slide on the supports.) Repeat with remaining Upper and Lower Supports and Mesh Guard Connectors until you have 4 assembled Supports.

Hardware Used: 4 x D, Mesh Guard Connector

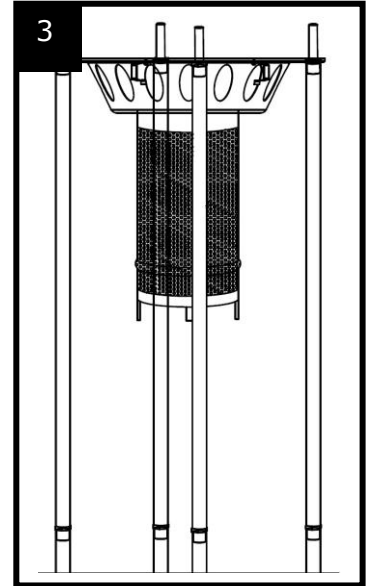


2. Attach the assembled Supports to the Tank Housing/Base Assembly. Screw the assembled Supports into the holes located on the top of the Tank Housing/Base Assembly. **Note:** Make sure to use the short threaded end located on the bottom of the Lower Support for attaching the Supports to the Tank Housing/Base Assembly. The long threaded end on the Upper Support will be needed to allow for attachment of Emitter and Reflector. (Mesh Guard Connectors should rest on the top of Tank Housing after you attach the Supports to the Tank.)



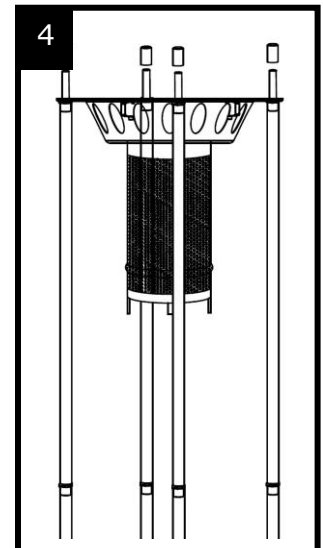
ASSEMBLY

3. Fit the Emitter (C) down over the threaded end of the assembled Supports by lining up the holes in the corners of the Emitter with the Supports and sliding the Emitter down over the Supports.



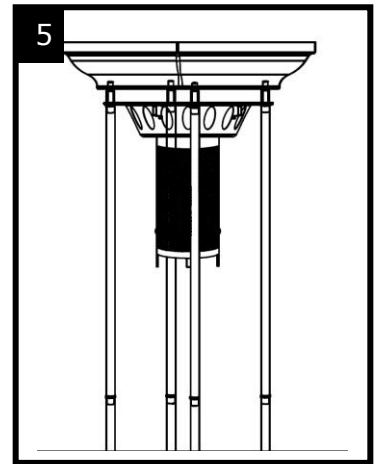
4. Secure the Emitter to the Supports using 4 pieces of B - M8 Spacer. Tighten with an open end wrench.

Hardware Used: 4 x B, M8 Spacer



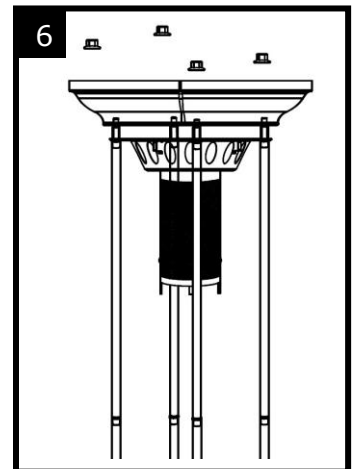
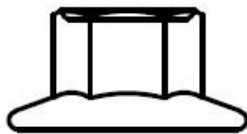
ASSEMBLY

5. Attach Reflector (B) to top of Supports. Align holes in bottom of Reflector with Supports and slide Reflector down over Supports.

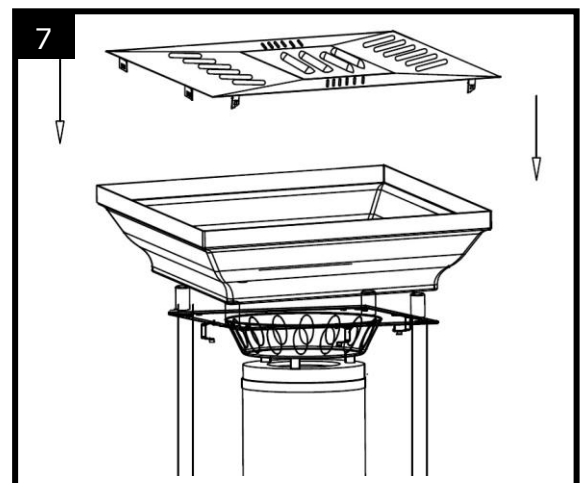


6. Secure Reflector to Supports with 4 pieces A - M8 Nut. Tighten with an open end wrench.

Hardware Used: 4 x A, M8 Nut

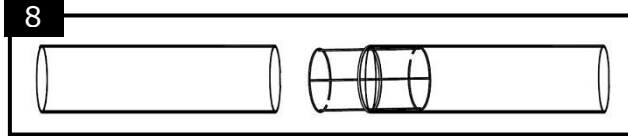


7. Place Top Cap (A) into Reflector.

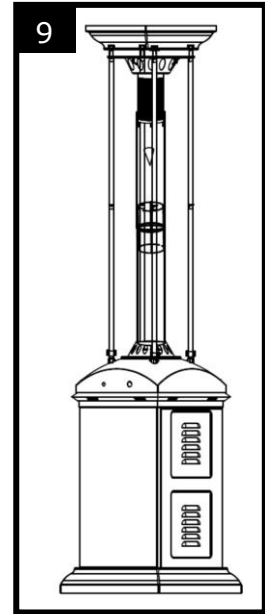


ASSEMBLY

8. Assemble Glass Tube. Locate Glass Tube Connector (G) and two pieces of Glass Tube (H). Carefully insert one end of Glass Tube Connector into open end of Glass Tube and then repeat with other Glass Tube.



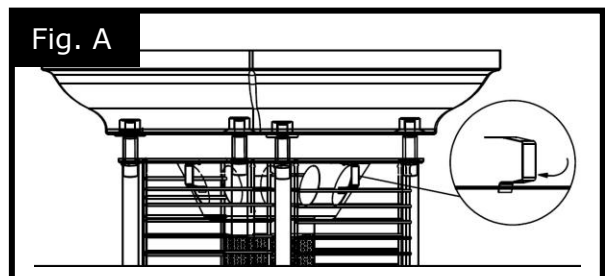
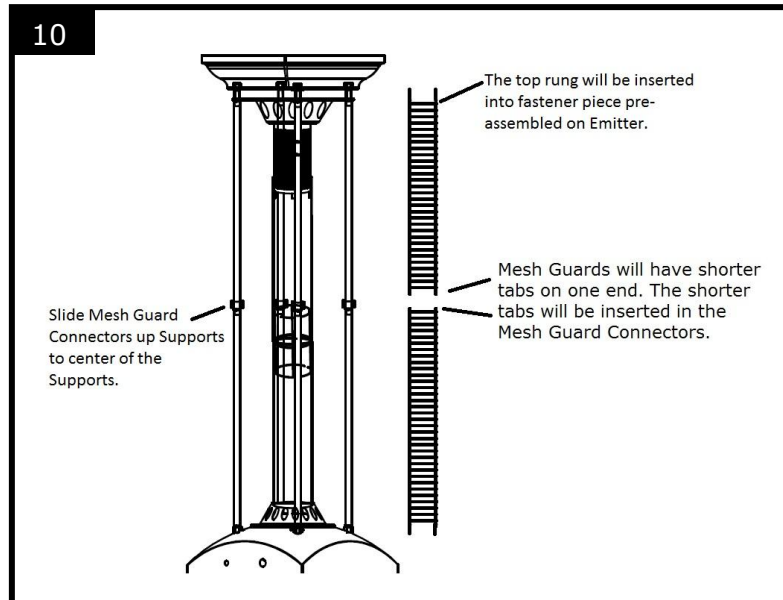
9. Insert Glass Tube into Emitter and Tank Housing/Base Assembly. Carefully insert assembled Glass Tube into end of Emitter and then into hole on top of the Tank Housing/Base Assembly.



10. Attach Mesh Guards to Supports.

Hint: It is best to begin with bottom pieces of Mesh Guards.

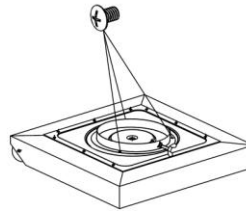
Locate one Mesh Guard. Slide the Mesh Guard Connectors up the Support and hold them in the center of the Support. Then insert the longer tabs at the bottom of the Mesh Guard into the holes on Tank Housing/Base. Insert the shorter tabs at the top of the Mesh Guard into the holes on the Mesh Guard Connector. Repeat with three more Mesh Guards on lower row. Attach upper Mesh Guards by inserting longer tabs at the top of the Mesh Guard through the holes in Emitter and slide the tabs on the bottom end of the upper Mesh Guard into holes in the Mesh Guard Connectors. Then secure the Mesh Guard by inserting the top rung into the fastener piece pre-assembled on the Emitter (see Fig A).



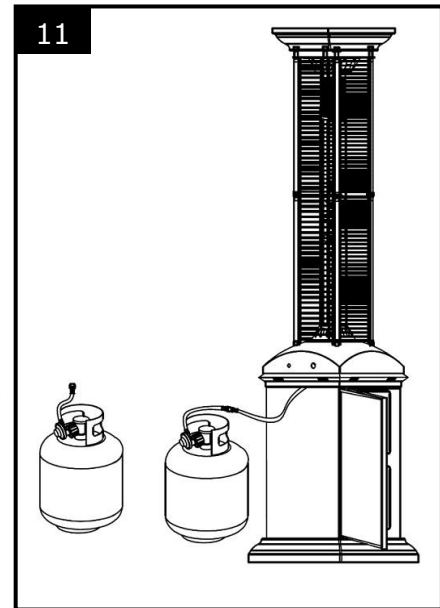
ASSEMBLY

11. Before placing LP tank onto base of heater, attach Cylinder Holder (K) to base using 3 pieces of M6x12 Bolts.

Hardware Used: 3 x C, M6x12 Bolt



Connect the Regulator/Hose assembly to the LPG cylinder. The LPG cylinder is sold separately. Use a standard 20 lb. LPG cylinder only. Screw the Regulator/Hose assembly to the LPG cylinder. Do not cross thread. Hand tighten securely. Then attach the Regulator/Hose assembly to the end of the hose that extends from the Burner. Do not cross thread. Hand tighten securely then tighten with a wrench. Place LPG tank into the Cylinder Holders and tighten the screws in the Cylinder Holders to secure LPG tank on base.



NOTE: Use this heater only with a propane vapor withdrawal supply system. See chapter 5 of the standard for storage and handling of liquefied petroleum gas, ANSI/NFPA 58. Your local library or fire department should have this book.

OPERATING INSTRUCTIONS

A minimum supply pressure of .5 psi is required for the purpose of input adjustment of propane gas. Storage of an appliance indoors is permissible only if the cylinder is disconnected and removed from the appliance. A cylinder must be stored outdoors in a well-ventilated area out of the reach of children. A disconnected cylinder must have dust caps tightly installed and must not be stored in a building, garage, or any other enclosed area. The minimum permissible gas supply pressure of 11 W.C. is required for purpose of hose adjustment. The minimum hourly of 17,500 BTU is required input rating for a heater for automatic operation rating less than full input rating.

The pressure regulator and hose assembly supplied with the appliance must be used.

The installation must conform with local codes, or in the absence of local codes, with national fuel gas code, ANSI Z223.1/NFPA54, natural gas and propane Installation Code, CSA B149.1, or propane storage and handling code, B149.2

A dented rusted or damaged propane cylinder may be hazardous and should be checked by your local cylinder supplier. Never use a propane cylinder with a damaged valve connection.

The propane cylinder must be constructed and marked in accordance with the specifications for LP gas cylinders of the U.S. Department of Transportation (DOT) or the standard for cylinders, spheres and tubes for transportation of dangerous goods and commission, CAN/CSA-B339.

The cylinder must have a listed overfilling prevention device.

The cylinder must have a connection device compatible with the connection for the appliance.

The cylinder used must include a collar to protect the cylinder valve. Never connect an unregulated propane cylinder to the heater.

- Do not store a spare LP-gas cylinder under or near this appliance.
- Never fill the cylinder beyond 80 percent full.
- Place the dust cap on the cylinder valve outlet whenever the cylinder is not in use. Only install the type of dust cap on the cylinder valve that is provided with the cylinder valve. Other types of caps or plugs may result in leakage of propane.

OPERATING INSTRUCTIONS

Leak Test



- * Perform all leak tests outdoors.
- * Extinguish all open flames.
- * NEVER leak test when smoking.
- * Do not use heater until all connections have been leak tested and show no signs of leakage.

1. Make 2-3 oz. of leak test solution (one part liquid dishwashing detergent and three parts water).
2. Apply several drops of solution where hose attaches to regulator.
3. Apply several drops of solution where regulator connects to cylinder.
4. Make sure all patio heater valves are OFF.
5. Turn cylinder valve ON.

IF BUBBLES APPEAR AT ANY CONNECTION, THERE IS A LEAK.

1. Turn cylinder valve OFF.
2. If leak is detected at hose/regulator connection, tighten connection and perform another leak test. If bubbles continue to appear, call our customer service hotline at **1-866-985-7877**, 9 a.m. – 6 p.m., EST, Monday – Friday.
3. If leak is detected at regulator/cylinder valve connection, disconnect, reconnect, and perform another leak test. If you continue to see bubbles after several attempts, cylinder valve is defective. Call our customer service hotline at **1-866-985-7877**, 9 a.m. – 6 p.m., EST, Monday – Friday

IF NO BUBBLES APPEAR AT ANY CONNECTION, THE CONNECTIONS ARE SECURE. Note: Whenever gas connections are loosened or removed, you must perform a complete leak check.



CARBON MONOXIDE HAZARD

This appliance can produce carbon monoxide which has no odor. Using it in an enclosed space can kill you.

Never use this appliance in an enclosed space such as a camper, tent or home.

Caution: Do not attempt to operate this appliance until you have read and understand all Safety Information in this manual and all assembly is complete and leak checks have been performed.

WARNING CONCERNING THE GLASS TUBE:

- **NEVER** use this heater when it is raining. The glass tube will break when it comes in contact with water.
- **NEVER** splash any liquid on the glass tube while the heater is in operation.
- The glass tube will be extremely hot when the heater is in operation. **NEVER** try to touch the glass tube or allow children near the glass tube while the heater is in operation. Wait until the heater has cooled completely.
- Always ensure the heater is on firm, level ground. The glass tube will break if the heater falls and hits objects or the ground.
- Always inspect the glass tube before each use of the heater and **NEVER** use the heater if the glass tube has a chip or crack. The glass tube **MUST** be replaced before use if it has been damaged.

Before Turning Gas Supply ON:

1. Your heater was designed and approved for OUTDOOR use only. Do NOT use it inside a building, garage, or any other enclosed area.
2. Make sure surrounding areas are free of combustible materials, gasoline, and other flammable vapors or liquids.
3. Ensure that there is no obstruction to air ventilation. Be sure all gas connections are tight and there are no leaks.
4. Be sure the cylinder cover is clear of debris. Be sure any component removed during assembly or servicing is replaced and fastened prior to starting.

OPERATING INSTRUCTIONS

Before Lighting:

1. Heater should be thoroughly inspected before each use, and by a qualified service person at least annually. If re-lighting a hot heater, always wait at least 5 minutes.
2. Inspect the hose assembly for evidence of excessive abrasion, cuts, or wear. Suspected areas should be leak tested. If the hose leaks, it must be replaced prior to operation. Only use the replacement hose assembly specified by the manufacturer.

Lighting:

NOTE: For initial start or after any cylinder change, hold the control knob in for 2 minutes to purge air from all gas lines before proceeding. **NOTE:** This heater has an Electronic Ignition and will require installation of 1 - AAA battery. The battery should be installed by unscrewing the RED IGNITER BUTTON.

1. Turn the control knob to the "OFF" position.
2. Fully open the LP cylinder valve.
3. Turn the control knob counterclockwise to small flame symbol (MIN).
4. Push control knob in and then push the RED igniter button to ignite the main burner. Repeat until the burner ignites. Keep the control knob fully pushed in for an additional 10-20 seconds after the burner ignites, then release the control knob.
5. To increase the flame, turn the control knob clockwise toward the large flame symbol (MAX). To decrease the flame, turn the control knob counterclockwise towards the small flame symbol (MIN).
6. To turn the appliance OFF, turn the control knob clockwise to the OFF position.
7. Wait at least 5 minutes before attempting to re-light the heater.
8. Turn the gas cylinder valve to OFF or closed.



If you experience any ignition problems, please consult "Troubleshooting" on page 16.

Caution: Avoid inhaling fumes emitted from the heater's first use. Smoke and odor from the burning of oils used in the manufacturing will appear. Both smoke and odor will dissipate after approximately 30 minutes. The heater should NOT produce thick black smoke.

! WARNING

FOR YOUR SAFETY

Be careful when attempting to manually ignite this heater. Holding in the control knob for more than 10 seconds before igniting the gas will cause a ball of flame upon ignition.

When Heater is ON:

Emitter screen will become bright red due to intense heat. The color is more visible at night. Burner will display tongues of blue and yellow flame. These flames should not be yellow or produce thick black smoke, indicating an obstruction of airflow through the burners. The flame should be blue with straight yellow tops. If excessive yellow flame is detected, turn off heater and consult "Troubleshooting" on page 16.

Re-Lighting:

1. Turn control knob to OFF.
2. Wait at least 5 minutes to allow gas to dissipate before re-lighting.
3. Repeat the "Lighting" steps listed above.

! WARNING

FOR YOUR SAFETY

Heater will be hot after use. Handle with extreme care.

Shut Down:

1. Turn control knob clockwise to OFF while depressing the knob. (Normally, burner will make a slight popping noise when extinguished).
2. Turn cylinder valve clockwise to OFF and disconnect regulator when heater is not in use.

NOTE: After use, some discoloration of the emitter screen is normal.

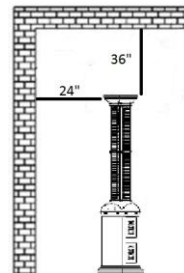
OPERATING INSTRUCTIONS

Operation Checklist:

For a safe and pleasurable heating experience, perform this check before each use:

Before Operating:

1. I am familiar with entire owner's manual and understand all precautions noted.
2. All components are properly assembled, intact and operable.
3. No alterations have been made.
4. All gas connections are secure and do not leak.
5. Wind velocity is below 10 mph.
6. Unit will operate at reduced efficiency below 40 degrees F.
7. Heater is for use outdoors (outside any enclosure).
8. There is adequate fresh air ventilation.
9. Heater is away from gasoline or other flammable liquids or vapors.
10. Heater is away from windows, air intake openings, sprinklers and other water sources.
11. Heater is at least 36 in. on top and at least 24 in. on sides from combustible materials.
12. Heater is on a hard and level surface.
13. There are no signs of spider or insect nests in heater orifices.
14. All burner passages are clear.
15. All air circulation passages are clear.
16. Children and adults should be alerted to the hazards of high surface temperatures and should stay away to avoid burns or clothing ignition.
17. Young children should be carefully supervised when they are in the area of the heater.
18. Clothing or other protective material should not be hung from the heater, or placed on or near the heater.
19. Any guard or other protective device removed for servicing the heater must be replaced prior to operating the heater.
20. Installation and repair should be done by a qualified service person. The heater should be inspected before each use and at least annually by a qualified service person.
21. More frequent cleaning may be required as necessary. It is imperative that control compartment burner and circulating air passageways of the heater be kept clean and free of debris and/or spider or insect nests.



CARE AND MAINTENANCE

After Operation:

1. Gas control knob is in OFF position.
2. Gas tank valve is OFF.
3. Disconnect gas line.

WARNING

FOR YOUR SAFETY

- * Do NOT touch or move heater for at least 45 minutes after use.
- * Reflector is hot to the touch.
- * Allow reflector to cool before touching.

To enjoy years of outstanding performance from your heater, make sure you perform the following maintenance activities on a regular basis:

Keep exterior surfaces clean.

1. Use soapy water for cleaning. Never use flammable or corrosive cleaning agents.
2. While cleaning your unit, be sure to keep the area around the burner and control compartment dry at all times. Do not submerge the control valve assembly. If the gas control is submerged in water, do NOT use it. It must be replaced.
3. Air flow must be unobstructed. Keep controls, burner, and circulating air passageways clean. Signs of possible blockage include:
 - Gas odor with extreme yellow tipping of flame.
 - Heater does NOT reach the desired temperature.
 - Heater glow is excessively uneven.

CARE AND MAINTENANCE

- Spiders and insects can nest in burner or orifices. This dangerous condition can damage heater and render it unsafe for use. Clean burner holes by using a heavy-duty pipe cleaner. Compressed air may help clear away smaller particles.
- Carbon deposits may create a fire hazard. Clean dome and burner screen with warm soapy water if any carbon deposits develop. Always be careful when cleaning the glass tube.

Note: In a salt-air environment (such as near an ocean), corrosion occurs more quickly than normal. Frequently check for corroded areas and repair them promptly.

Storage:

Between uses:

- Turn control knob OFF.
- Disconnect LP source.
- Store heater upright in an area sheltered from direct contact with inclement weather (such as rain, sleet, hail, snow, dust and debris).
- If desired, cover heater to protect exterior surfaces and to help prevent build-up in air passages. Never leave LP cylinder exposed to direct sunlight or excessive heat.

Note: *Wait until heater is completely cool before covering.*

Service:

Only a qualified service person should repair gas passages and associated components.

Caution: *Always allow heater to cool before attempting service.*

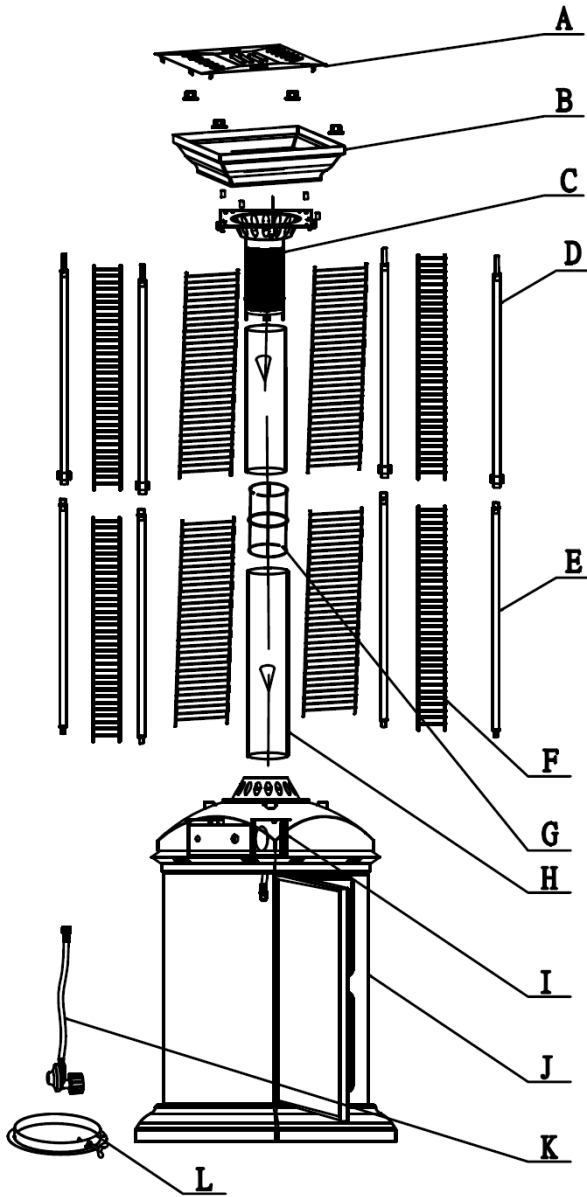
TROUBLESHOOTING

If you have any questions regarding this product, please call our customer service hotline at 1-866-985-7877, 9a.m. – 6 p.m. (EST), Monday – Friday, or email us at cservice@welltraveled.net.

PROBLEM	POSSIBLE CAUSE	CORRECTIVE ACTION
Main burner will not light	Gas valve may be off	Turn gas valve ON
	Fuel tank may be empty	Refill LPG tank
	Orifice blocked	Clean or replace orifice
	Air in supply system	Purge air from lines. Open gas lines and depress control knob for 2-3 mins.
	Loose connection	Check all fittings
	Igniter fails	Use stick lighter to manually light
	Gas pressure low with valve open full	Replace cylinder or regulator
	New cylinder or 1st ignition	Purge air from lines
	Cylinder valve on, no gas flow	Replace hose/regulator assembly
	AAA Battery behind igniter button is dead	Replace with a new AAA Battery
Low burner flame	Pressure is low	Replace LPG tank
	Tank is low on fuel	Fill LPG tank
	Gas hose is kinked	Check & straighten or replace
	Control knob at max	Check for obstruction at passageways and orifices
Burner unit	Carbon on reflector & emitter screen	Clean components as needed
	Thick black smoke	Blockage in burner assembly--thoroughly clean burner

REPLACEMENT PARTS LIST

For questions regarding this product or to purchase replacement parts, please call our customer service hotline at 1-866-985-7877, 9a.m. – 6 p.m. (EST), Monday – Friday, or email us at cservice@welltraveled.net.



PART	DESCRIPTION	QTY
A	Top Cap	1
B	Reflector	1
C	Emitter	1
D	Upper Supports	4
E	Lower Supports	4
F	Mesh Guards	8
G	Glass Tube Connector	1
H	Glass Tube	2 pcs
I	Burner	1
J	Tank Housing/Base Assembly (with wheels)	1
K	Regulator/Hose assembly	1
L	Cylinder Holder	1

Distributed By:
Well Traveled Living
716 S 8th Street
Amelia Island, FL 32034
Toll Free: 866-WTL-SUPP
(866-985-7877)



Web: www.wtliving.com
Email: cservice@welltraveled.net

1 YEAR LIMITED WARRANTY – Customers in the Continental US

All components are warranted for a period of 1 year after date of purchase by the original owner against defects in materials and workmanship under normal use. This warranty does NOT cover normal wear and weathering, assembly and/or maintenance OR use in a commercial application if model is not designated as a commercial model. At Well Traveled Living's sole discretion, products under warranty will be repaired and/or replaced at no charge to the customer. Any returns sent back to Well Traveled Living must be sent via prepaid freight and in the original retail packaging.

For warranty service contact Well Traveled Living at the address, phone numbers or internet site and email listed in this owner's manual. Be sure to have your sales receipt, date of purchase and catalogue/model numbers available when calling. All warranty service will be coordinated by the Well Traveled Living's, Amelia Island, Florida service center.

This warranty is extended only to the original purchaser. Proof of purchase will be required before warranty service is rendered. The sales receipt is the only valid proof of purchase. This warranty only covers failures due to defects in materials or workmanship which occur during normal use. Failures and/or damage which result from accident, negligence, misuse, abuse, neglect, mishandling, alteration or modification, failure to maintain, improper assembly or maintenance, service by unauthorized agency or use of unauthorized components or damage that is attributable to acts of God are NOT covered.

*****THERE ARE NO EXPRESS WARRANTIES EXCEPT AS LISTED ABOVE*****

*****PURCHASER ASSUMES ALL RISKS IN THE ASSEMBLY AND OPERATION OF THIS UNIT*****

*****FAILURE TO FOLLOW WARNINGS AND OPERATIONAL INSTRUCTIONS CONTAINED IN THIS MANUAL CAN RESULT IN SEVERE PROPERTY DAMAGE AND/OR PERSONAL INJURY*****

IN NO EVENT WILL WELL TRAVELED LIVING, OR ITS DIRECTORS, OFFICERS OR AGENTS BE LIABLE TO THE PURCHASER OR ANY THIRD PARTY, WHETHER IN CONTRACT, IN TORT, OR ON ANY OTHER BASIS, FOR ANY INDIRECT, SPECIAL, PUNITIVE, EXEMPLARY, CONSEQUENTIAL, OR INCIDENTAL LOSS, COST, OR DAMAGE ARISING OUT OF OR IN CONNECTION WITH THE SALE, MAINTENANCE, USE, OR INABILITY TO USE THE PRODUCT, EVEN IF WELL TRAVELED LIVING OR ITS DIRECTORS, OFFICERS OR AGENTS HAVE BEEN ADVISED OF THE POSSIBILITY OF SUCH LOSSES, COSTS OR DAMAGES, OR IF SUCH LOSSES, COSTS, OR DAMAGES ARE FORESEEABLE. IN NO EVENT WILL WELL TRAVELED LIVING, OR ITS OFFICERS, DIRECTORS, OR AGENTS BE LIABLE FOR ANY DIRECT LOSSES, COSTS OR DAMAGES THAT EXCEED THE PURCHASE PRICE OF THE PRODUCT.

SOME JURISDICTIONS DO NOT ALLOW THE EXCLUSION OR LIMITATION OF INCIDENTAL OR CONSEQUENTIAL DAMAGES, SO THE ABOVE LIMITATION OR EXCLUSION MAY NOT APPLY TO THE PURCHASER.

This limited warranty gives you specific legal rights and you may also have other rights which vary from jurisdiction to jurisdiction. The provisions of the United Nations Convention on Contracts for the Sales of Goods shall not apply to this limited warranty or the sale of products covered by this limited warranty.

*****IMPORTANT NOTICE*****

-Do **NOT** return to place of purchase-
For customer service and warranty issues
contact our Customer Service Center at:
(866)-985-7877 OR
Email: cservice@welltraveled.net
Customer Service Hours: Mon. – Fri. 9:00 a.m. – 6:00 p.m.
(EST)

Fire Sense®, Mojave Sun®, and Well Traveled Living® are registered trademarks of Well Traveled Imports, Inc®. All assembly instruction presentations are the property of Well Traveled Imports, Inc.® and are protected by U.S. copyrights and trademarks. All rights reserved.