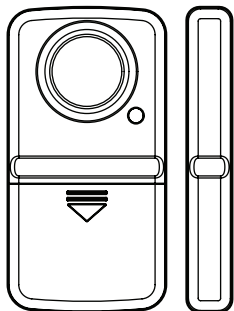


USE AND CARE GUIDE

Door or Window Alarm



THANK YOU
 We appreciate the trust and confidence you have placed in Defiant through the purchase of this Door or Window Alarm. We strive to continually create quality products designed to enhance your home. Visit us online to see our full line of products available for your home improvement needs. Thank you for choosing Defiant!

Warranty

1 YEAR LIMITED WARRANTY

This product is guaranteed to be free of defects in materials and workmanship for 1 year from the date of purchase. If this product is defective, call 844-212-0200 for repair or replacement parts or return the product to the store from which it was purchased.

Guarantee does not include normal wear and tear, bulbs or batteries.

Contact the Customer Service Team or visit www.HOMEDEPOT.COM.

Safety Information

Save these instructions for future use.

WARNING: Any battery may leak harmful chemicals which may damage skin, clothing or the inside of the alarm. TO AVOID RISK OF INJURY, DO NOT LET ANY MATERIAL LEAKED FROM A BATTERY COME IN CONTACT WITH EYES OR SKIN. Any battery may rupture or explode if put in a fire or otherwise exposed to excessive heat. TO AVOID RISK OF INJURY, DO NOT EXPOSE BATTERIES TO EXCESSIVE HEAT.

! To reduce the risk of personal injury or harm to your alarm, take the following precautions:

- Do not use different brands of batteries in the same alarm
- When replacing batteries always replace the whole set
- Do not use rechargeable or reusable batteries
- Do not allow children to install batteries unsupervised
- Follow battery manufacturer's instructions as to proper handling, storage and disposal of batteries

WARNING: FOR INDOOR USE ONLY. RISK OF PERSONAL INJURY. PROLONGED EXPOSURE TO ALARM SIREN MAY CAUSE PERMANENT HEARING LOSS. THIS PRODUCT CANNOT BE LINKED TO A MONITORED SECURITY SYSTEM. THE SECURITY FEATURE IS EXCLUSIVELY THE 120DB ALARM SOUND. DEFIANT IS NOT RESPONSIBLE OR LIABLE FOR ANY DAMAGE, VANDALISM, THEFT OR OTHER ACTIONS THAT MAY OCCUR WHILE THIS PRODUCT IS IN USE.

!

Installation and Operation

1 Installing and replacing batteries

- Slide the battery compartment cover off.
- Upon initial use, carefully remove the clear plastic insulation tab from the batteries. If the batteries are dislodged, replace them noting the polarity diagram inside the battery compartment. If replacing batteries, replace with 4 LR44 alkaline batteries.
- Replace the battery compartment cover.

It is recommended that the alarm power is regularly tested by pressing the battery test button in the battery compartment. If the light illuminates, the batteries are in good condition. If it fails to illuminate, replace all batteries.

2 Installing the alarm and sensor

- Clean the surfaces you want to mount the alarm on using cleaning alcohol or similar. Ensure the surfaces are completely clean and dry before proceeding.
- Use the double-sided tape (B) to mount the alarm and magnetic sensor on the door or window to be protected, placing one of the units on the part of the fixture which opens and the other on the stationary part of the fixture (frame).
- Ensure that when the door or window is closed, the arrows on the alarm and magnet are aligned with less than 15 mm between them.

Installation and Operation (continued)

3 Set the alarm to alarm mode

- Toggle the CHIME/OFF/ALARM switch to the ALARM position. When the door or window opens (causing the alarm and magnet to separate by more than 15 mm), the alarm will sound continuously until the door or window is shut or the unit is disarmed.

4 Setting the alarm to chime mode

- Toggle the CHIME/OFF/ALARM switch to the CHIME position. When the door or window is opened (causing the alarm and magnet to separate by more than 15 mm), the chime will sound.

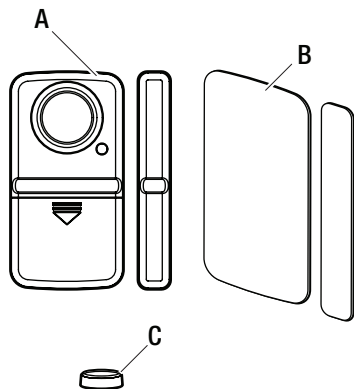
5 Disarming the unit

- Toggle the CHIME/OFF/ALARM switch to the OFF position. When the door or window is opened (causing the alarm and magnet to separate by more than 15 mm), the unit will make no sound.

PRODUCT DESCRIPTION

The door or window alarm is designed to sound an intruder alarm or visitor chime when a door or window is opened. Toggle the switch in the battery compartment between the different modes or switch off when not required.

PACKAGE CONTENTS



Part	Description	Quantity
A	Magnetic window/door alarm	1
B	Double-sided mounting tape set	1
C	LR44 Alkaline battery	4

