

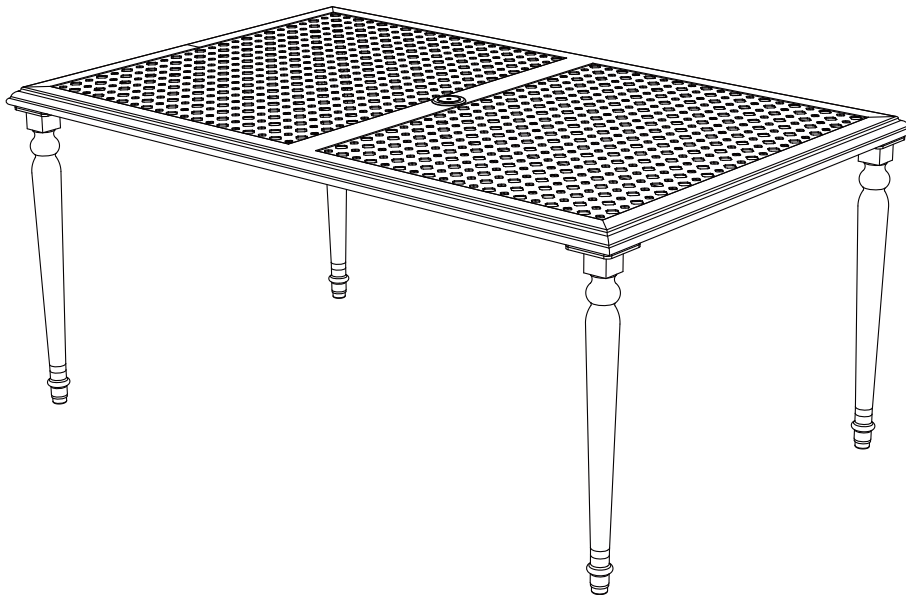


Item # 1003 308 705  
1003 262 796  
Model # 745.0300.000

## USE AND CARE GUIDE

---

### LAUREL OAKS DINNING TABLE



Questions, problems, missing parts? Before returning to the store,  
call Hampton Bay Customer Service  
8 a.m. - 7 p.m., EST, Monday - Friday, 9 a.m. - 6 p.m., EST, Saturday

**1-855-HD-HAMPTON**

**HAMPTONBAY.COM**

---

#### **THANK YOU**

*We appreciate the trust and confidence you have placed in Hampton Bay through the purchase of this table. We strive to continually create quality products designed to enhance your home. Visit us online to see our full line of products available for your home improvement needs. Thank you for choosing Hampton Bay!*

## Table of Contents

Table of Contents . . . . .	2	Hardware Included. . . . .	3
Safety Information . . . . .	2	Table Package Contents. . . . .	4
Warranty . . . . .	2	Assembly. . . . .	5
What is covered . . . . .	2	Care and Cleaning . . . . .	6
What is not covered. . . . .	2		
Pre-Assembly . . . . .	3		
Planning Assembly. . . . .	3		

## Important Safety Instructions

### SAVE THESE INSTRUCTIONS



**WARNING:** FUELS USED IN LIQUEFIED PROPANE GAS APPLIANCES, AND THE PRODUCTS OF COMBUSTION OF SUCH FUELS, CAN EXPOSE YOU TO CHEMICALS INCLUDING BENZENE, WHICH IS KNOWN TO THE STATE OF CALIFORNIA TO CAUSE CANCER AND CAUSE BIRTH DEFECTS OR OTHER REPRODUCTIVE HARM. For more information go to: [www.P65Warnings.ca.gov](http://www.P65Warnings.ca.gov).



**WARNING:** FUELS USED IN WOOD OR CHARCOAL BURNING APPLIANCES, AND THE PRODUCTS OF COMBUSTION OF SUCH FUELS, CAN EXPOSE YOU TO CHEMICALS INCLUDING CARBON BLACK, WHICH IS KNOWN TO THE STATE OF CALIFORNIA TO CAUSE CANCER, AND CARBON MONOXIDE, WHICH IS KNOWN TO THE STATE OF CALIFORNIA TO CAUSE BIRTH DEFECTS OR OTHER REPRODUCTIVE HARM. For more information go to: [www.P65Warnings.ca.gov](http://www.P65Warnings.ca.gov).

### READ ALL INSTRUCTIONS BEFORE USE

To reduce the risk of injury to persons:

1. Close supervision is necessary when this furnishing is used by or near children, or disabled persons, if applicable.
2. Use this furnishing only for its intended use as described in these instructions. Do not use attachments not recommended by the manufacturer.
3. This table is not intended to support an umbrella. Umbrellas must have a suitable base or stand.



**CAUTION:** Read all of the instructions in this manual before you begin assembly. Failure to do so may result in faulty assembly and potential injury!

## Warranty

### 2 YEAR WARRANTY

#### WHAT IS COVERED

We warrant the product to be free of manufacturing defects to the original purchaser for two years.

#### WHAT IS NOT COVERED

It remains the customer's responsibility for freight and packaging charges to and from our service center. This warranty does not cover commercial use, hardware, acts of nature, freezing, or abusive use. In addition, purchased parts are not covered under this warranty.

We reserve the right to make substitutions with similar merchandise, if the model in question is no longer in production.

Contact Customer Care at 1-855-HD-HAMPTON or visit [www.hamptonbay.com](http://www.hamptonbay.com).

# Pre-Assembly

## PLANNING ASSEMBLY

Please read this entire instruction manual prior to assembly.

Identify all parts packed in the carton against the parts list. Remove all protective materials and place the parts on a non-abrasive surface to avoid scratching.



**NOTE:** More than one person may be required to assemble this product.

## HARDWARE INCLUDED



**NOTE:** Hardware not shown to actual size.



AA



BB



CC



DD



EE

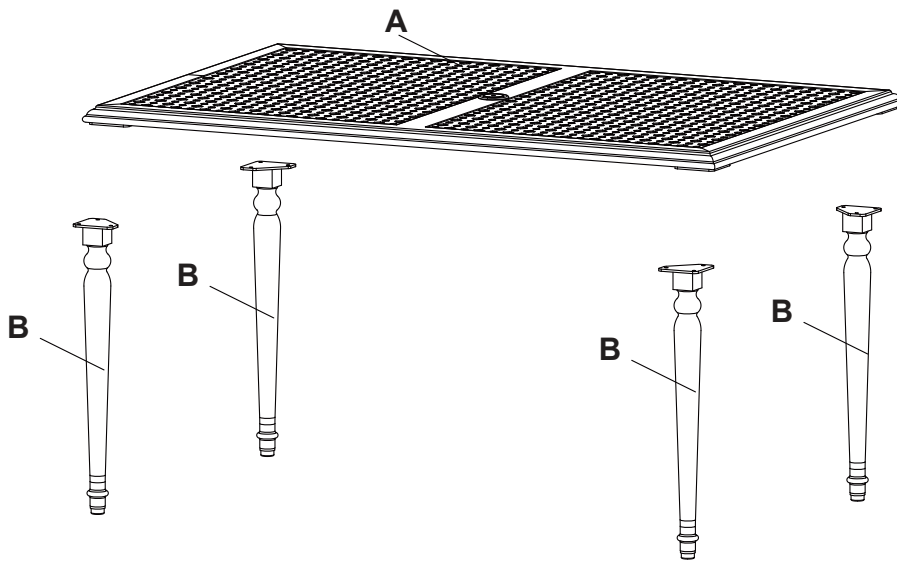
Part	Description	Quantity
AA	M8x20 Bolt	12
BB	Washer	12
CC	Spring washer	12
DD	Bolt cap	12
EE	Hex Wrench	1

# Pre-Assembly

## TABLE PACKAGE CONTENTS



**IMPORTANT:** Do not fully tighten bolts/screws until all pieces are loosely assembled.



Part	Description	Quantity
A	Table top	1
B	Table legs	4

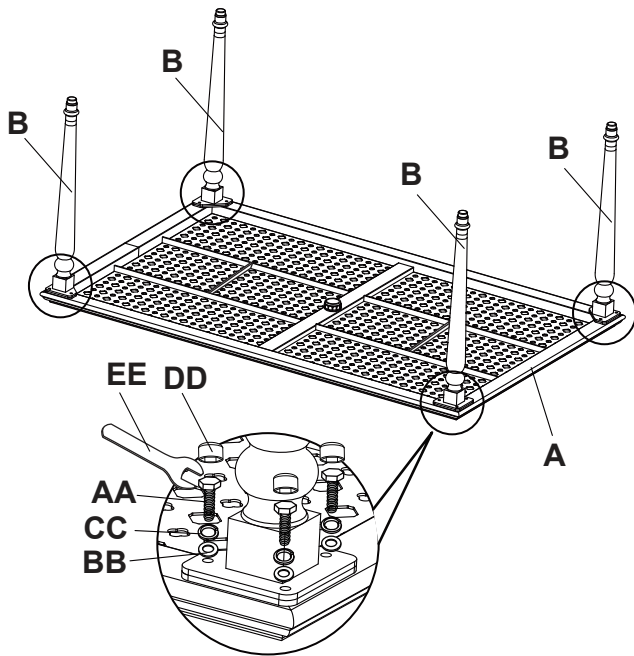
## Assembly

### 1 Attaching the table leg to the table top

- Put the table top on the soft ground. Attach the table leg (B) to the table top (A) using M8 bolts (AA), washers (BB) and spring washers (CC).

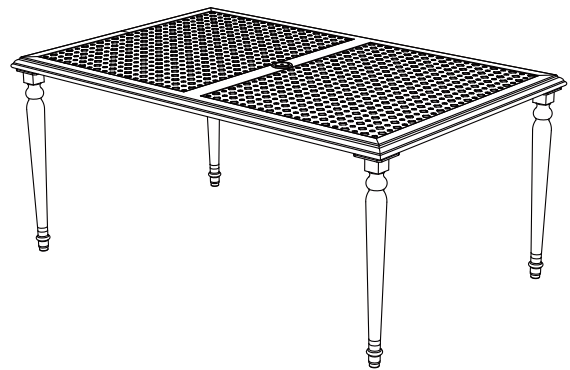


**NOTE:** Please ensure all the bolts are assembled correctly and use the hex wrench (EE) to tighten. Do not fully tighten bolts/screws until all pieces are loosely assembled. Adding corresponding plastic caps after final assembly finished.



### 2 Turning the table over

- Turn the table over and set on the ground.



## Care and Cleaning

---

- Do not allow water to build up in the frames. This will cause corrosion and possible freezing damage in cold climates.
- Use a mild soap and water for normal cleaning. Do not use janitorial or alcohol based cleaners. Some cleaners may be marked as natural, but some ingredients may cause discoloration or have an adverse reaction to your finish.
- Rinse with clean water and dry with a soft, absorbent cloth towel.
- Treat the frames with a liquid wax for maximum protection against UV rays and/or salty, damp air.



Questions, problems, missing parts? Before returning to the store,  
call Hampton Bay Customer Service  
8 a.m.-7 p.m., EST, Monday-Friday,  
9 a.m.-6 p.m., EST, Saturday

**1-855-HD-HAMPTON**

**HAMPTONBAY.COM**

Retain this manual for future use.

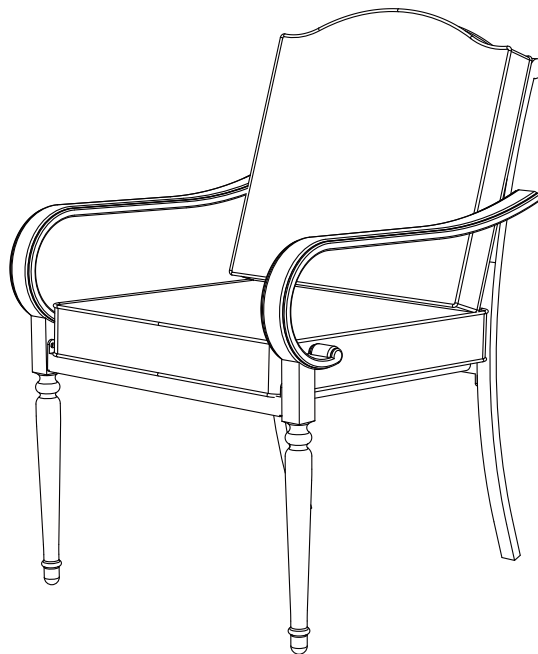


Item # 1003 308 705  
1003 262 796  
Model # 755.0310.000

## USE AND CARE GUIDE

---

### LAUREL OAKS STATIONARY DINNING CHAIR



Questions, problems, missing parts? Before returning to the store,  
call Hampton Bay Customer Service  
8 a.m. - 7 p.m., EST, Monday - Friday, 9 a.m. - 6 p.m., EST, Saturday

**1-855-HD-HAMPTON**

**HAMPTONBAY.COM**

---

#### **THANK YOU**

*We appreciated the trust and confidence you have placed in Hampton Bay through the purchase of this chair. We strive to continually create quality products designed to enhance your home. Visit us online to see our full line of products available for your home improvement needs. Thank you for choosing Hampton Bay!*



# Table of Contents

Table of Contents . . . . .	2	Hardware Included. . . . .	3
Safety Information . . . . .	2	Chair Package Contents. . . . .	4
Warranty . . . . .	2	Assembly. . . . .	5
What is covered . . . . .	2	Care and Cleaning . . . . .	6
What is not covered. . . . .	2		
Pre-Assembly . . . . .	3		
Planning Assembly. . . . .	3		

# Important Safety Instructions

## SAVE THESE INSTRUCTIONS



**WARNING:** FUELS USED IN LIQUEFIED PROPANE GAS APPLIANCES, AND THE PRODUCTS OF COMBUSTION OF SUCH FUELS, CAN EXPOSE YOU TO CHEMICALS INCLUDING BENZENE, WHICH IS KNOWN TO THE STATE OF CALIFORNIA TO CAUSE CANCER AND CAUSE BIRTH DEFECTS OR OTHER REPRODUCTIVE HARM. For more information go to: [www.P65Warnings.ca.gov](http://www.P65Warnings.ca.gov).



**WARNING:** FUELS USED IN WOOD OR CHARCOAL BURNING APPLIANCES, AND THE PRODUCTS OF COMBUSTION OF SUCH FUELS, CAN EXPOSE YOU TO CHEMICALS INCLUDING CARBON BLACK, WHICH IS KNOWN TO THE STATE OF CALIFORNIA TO CAUSE CANCER, AND CARBON MONOXIDE, WHICH IS KNOWN TO THE STATE OF CALIFORNIA TO CAUSE BIRTH DEFECTS OR OTHER REPRODUCTIVE HARM. For more information go to: [www.P65Warnings.ca.gov](http://www.P65Warnings.ca.gov).



**CAUTION:** Read all of the instructions in this manual before you begin assembly. Failure to do so may result in faulty assembly and potential injury!

## READ ALL INSTRUCTIONS BEFORE USE

To reduce the risk of injury to persons:

1. Close supervision is necessary when this furnishing is used by or near children, or disabled persons, if applicable.
2. Use this furnishing only for its intended use as described in these instructions. Do not use attachments not recommended by the manufacturer.

# Warranty

## 2 YEAR WARRANTY

### WHAT IS COVERED

We warrant the product to be free of manufacturing defects to the original purchaser for two years.

### WHAT IS NOT COVERED

It remains the customer's responsibility for freight and packaging charges to and from our service center. This warranty does not cover commercial use, hardware, acts of nature, freezing, or abusive use. In addition, purchased parts are not covered under this warranty.

We reserve the right to make substitutions with similar merchandise, if the model in question is no longer in production.

Contact Customer Care at 1-855-HD-HAMPTON or visit [www.hamptonbay.com](http://www.hamptonbay.com).

# Pre-Assembly

## PLANNING ASSEMBLY

Please read this entire instruction manual prior to assembly.

Identify all parts packed in the carton against the parts list. Remove all protective materials and place the parts on a non-abrasive surface to avoid scratching.

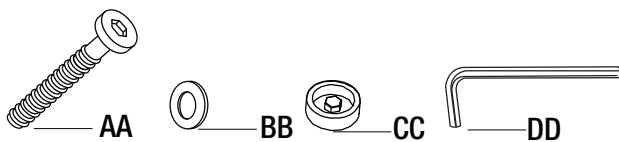


**NOTE:** More than one person may be required to assemble this product.

## HARDWARE INCLUDED



**NOTE:** Hardware not shown to actual size.



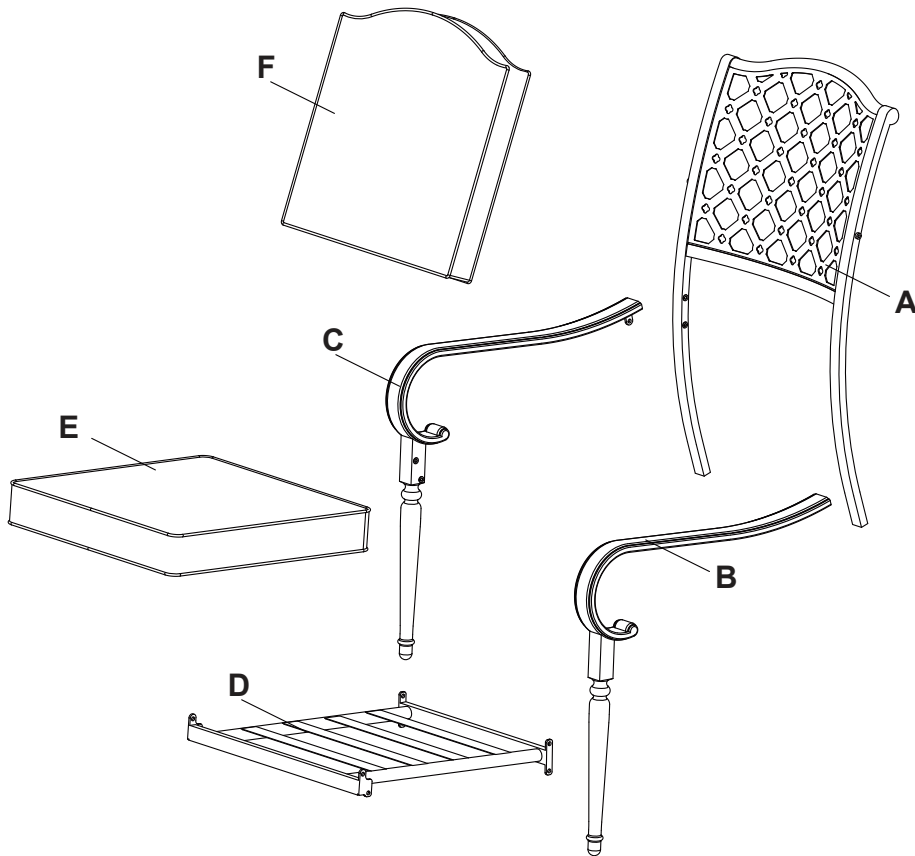
Part	Description	Quantity
AA	M6x20 Bolt	10
BB	Washer	10
CC	Bolt cap	10
DD	Allen Driver	1

# Pre-Assembly

## CHAIR PACKAGE CONTENTS



**IMPORTANT:** Do not fully tighten bolts/screws until all pieces are loosely assembled.



Part	Description	Quantity
A	Chair back	1
B	Left arm	1
C	Right arm	1
D	Chair seat	1
E	Seat cushion	1
F	Back cushion	1

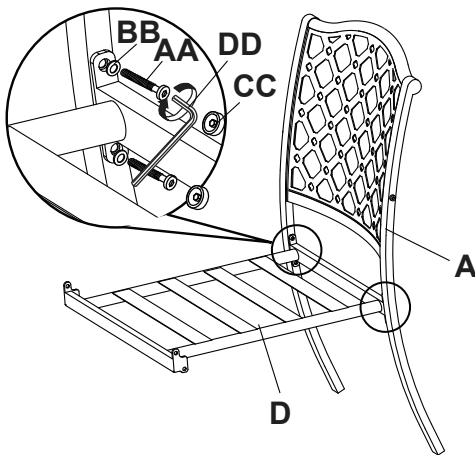
# Assembly

## 1 Attaching the chair back to the chair seat

- Attach the chair back (A) to the chair seat (D) using M6 bolts (AA) and washers (BB).



**NOTE:** Please ensure all the bolts are assembled correctly and use the allen driver (EE) to tighten. Do not fully tighten bolts/screws until all pieces are loosely assembled. Adding corresponding plastic caps after final assembly finished.

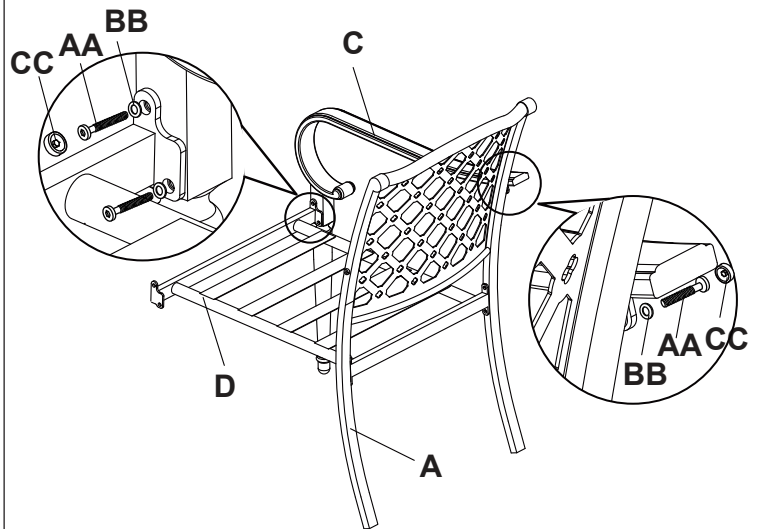


## 2 Attaching the right arm to the seat and back

- Attach the right arm (C) to the chair seat (D) and chair back (A) using M6 bolts (AA) and washers (BB).



**NOTE:** Please ensure all the bolts are assembled correctly and use the allen driver (EE) to tighten. Do not fully tighten bolts/screws until all pieces are loosely assembled. Adding corresponding plastic caps after final assembly finished.

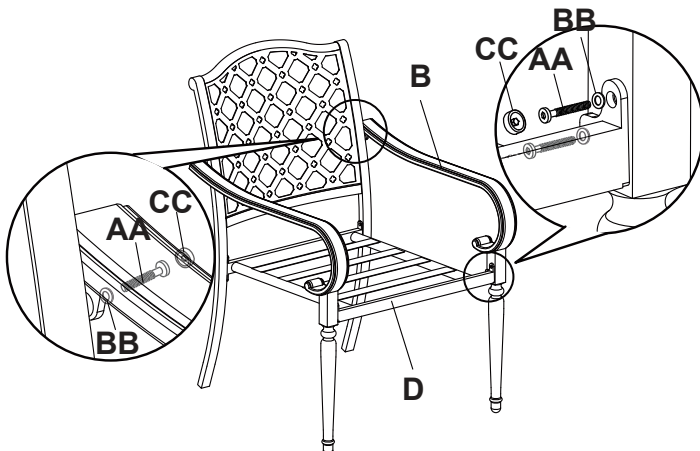


## 3 Attaching the left arm to the seat and back

- Attach the left arm (B) to the chair seat (D) and chair back (A) using M6 bolts (AA) and washers (BB).

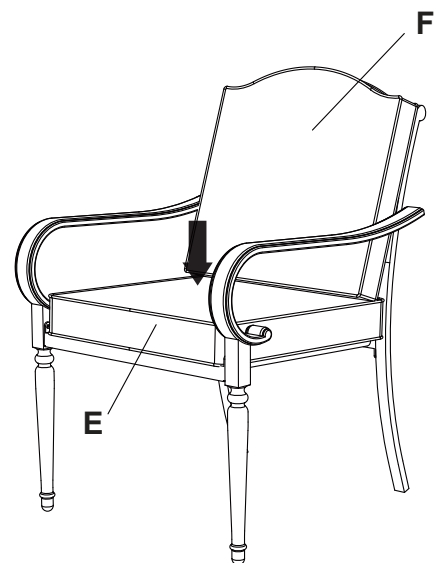


**NOTE:** Please ensure all the bolts are assembled correctly and use the allen driver (EE) to tighten. Do not fully tighten bolts/screws until all pieces are loosely assembled. Adding corresponding plastic caps after final assembly finished.



## 4 Adding the cushions

- Add seat cushion (E) and back cushion (F).



## Care and Cleaning

---

- Do not allow water to build up in the frames. This will cause corrosion and possible freezing damage in cold climates.
- Use a mild soap and water for normal cleaning. Do not use janitorial or alcohol based cleaners. Some cleaners may be marked as natural, but some ingredients may cause discoloration or have an adverse reaction to your finish.
- Rinse with clean water and dry with a soft, absorbent cloth towel.
- Treat the frames with a liquid wax for maximum protection against UV rays and/or salty, damp air.



Questions, problems, missing parts? Before returning to the store,  
call Hampton Bay Customer Service  
8 a.m.-7 p.m., EST, Monday-Friday,  
9 a.m.-6 p.m., EST, Saturday

**1-855-HD-HAMPTON**

**HAMPTONBAY.COM**

Retain this manual for future use.

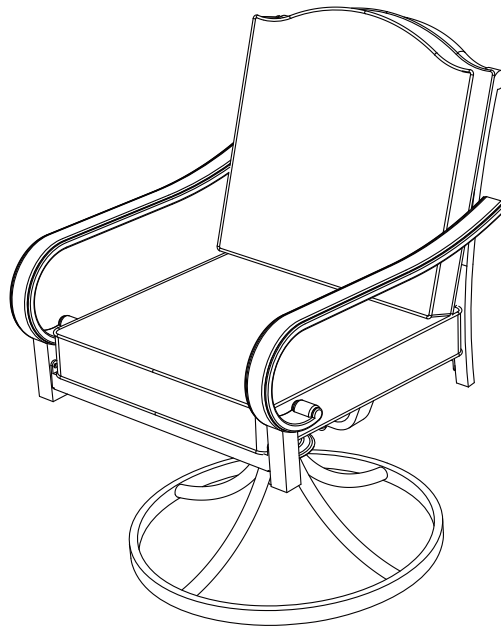


Item # 1003 308 705  
1003 262 796  
Model # 755.0311.000

## USE AND CARE GUIDE

---

### LAUREL OAKS MOTION DINING CHAIR



Questions, problems, missing parts? Before returning to the store,  
call Hampton Bay Customer Service  
8 a.m. - 7 p.m., EST, Monday - Friday, 9 a.m. - 6 p.m., EST, Saturday

**1-855-HD-HAMPTON**

**HAMPTONBAY.COM**

---

#### **THANK YOU**

*We appreciate the trust and confidence you have placed in Hampton Bay through the purchase of this chair. We strive to continually create quality products designed to enhance your home. Visit us online to see our full line of products available for your home improvement needs. Thank you for choosing Hampton Bay!*

# Table of Contents

Table of Contents . . . . .	2	Hardware Included. . . . .	3
Safety Information . . . . .	2	Chair Package Contents. . . . .	4
Warranty . . . . .	2	Assembly. . . . .	5,6
What is covered . . . . .	2	Care and Cleaning . . . . .	7
What is not covered. . . . .	2		
Pre-Assembly . . . . .	3		
Planning Assembly. . . . .	3		

# Important Safety Instructions

## SAVE THESE INSTRUCTIONS



**WARNING:** FUELS USED IN LIQUEFIED PROPANE GAS APPLIANCES, AND THE PRODUCTS OF COMBUSTION OF SUCH FUELS, CAN EXPOSE YOU TO CHEMICALS INCLUDING BENZENE, WHICH IS KNOWN TO THE STATE OF CALIFORNIA TO CAUSE CANCER AND CAUSE BIRTH DEFECTS OR OTHER REPRODUCTIVE HARM. For more information go to: [www.P65Warnings.ca.gov](http://www.P65Warnings.ca.gov).



**WARNING:** FUELS USED IN WOOD OR CHARCOAL BURNING APPLIANCES, AND THE PRODUCTS OF COMBUSTION OF SUCH FUELS, CAN EXPOSE YOU TO CHEMICALS INCLUDING CARBON BLACK, WHICH IS KNOWN TO THE STATE OF CALIFORNIA TO CAUSE CANCER, AND CARBON MONOXIDE, WHICH IS KNOWN TO THE STATE OF CALIFORNIA TO CAUSE BIRTH DEFECTS OR OTHER REPRODUCTIVE HARM. For more information go to: [www.P65Warnings.ca.gov](http://www.P65Warnings.ca.gov).



**CAUTION:** Read all of the instructions in this manual before you begin assembly. Failure to do so may result in faulty assembly and potential injury!

## READ ALL INSTRUCTIONS BEFORE USE

To reduce the risk of injury to persons:

1. Close supervision is necessary when this furnishing is used by or near children, or disabled persons, if applicable.
2. Use this furnishing only for its intended use as described in these instructions. Do not use attachments not recommended by the manufacturer.

# Warranty

## 2 YEAR WARRANTY

### WHAT IS COVERED

We warrant the product to be free of manufacturing defects to the original purchaser for two years.

### WHAT IS NOT COVERED

It remains the customer's responsibility for freight and packaging charges to and from our service center. This warranty does not cover commercial use, hardware, acts of nature, freezing, or abusive use. In addition, purchased parts are not covered under this warranty.

We reserve the right to make substitutions with similar merchandise, if the model in question is no longer in production.

Contact Customer Care at 1-855-HD-HAMPTON or visit [www.hamptonbay.com](http://www.hamptonbay.com).



# Pre-Assembly

## PLANNING ASSEMBLY

Please read this entire instruction manual prior to assembly.

Identify all parts packed in the carton against the parts list. Remove all protective materials and place the parts on a non-abrasive surface to avoid scratching.

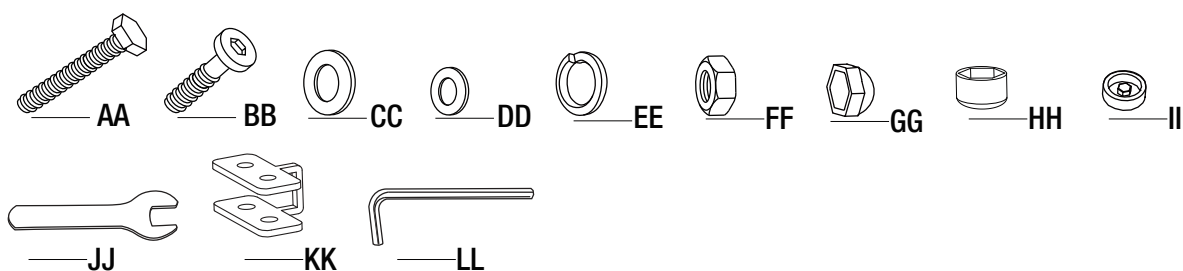


**NOTE:** More than one person may be required to assemble this product.

## HARDWARE INCLUDED



**NOTE:** Hardware not shown to actual size.



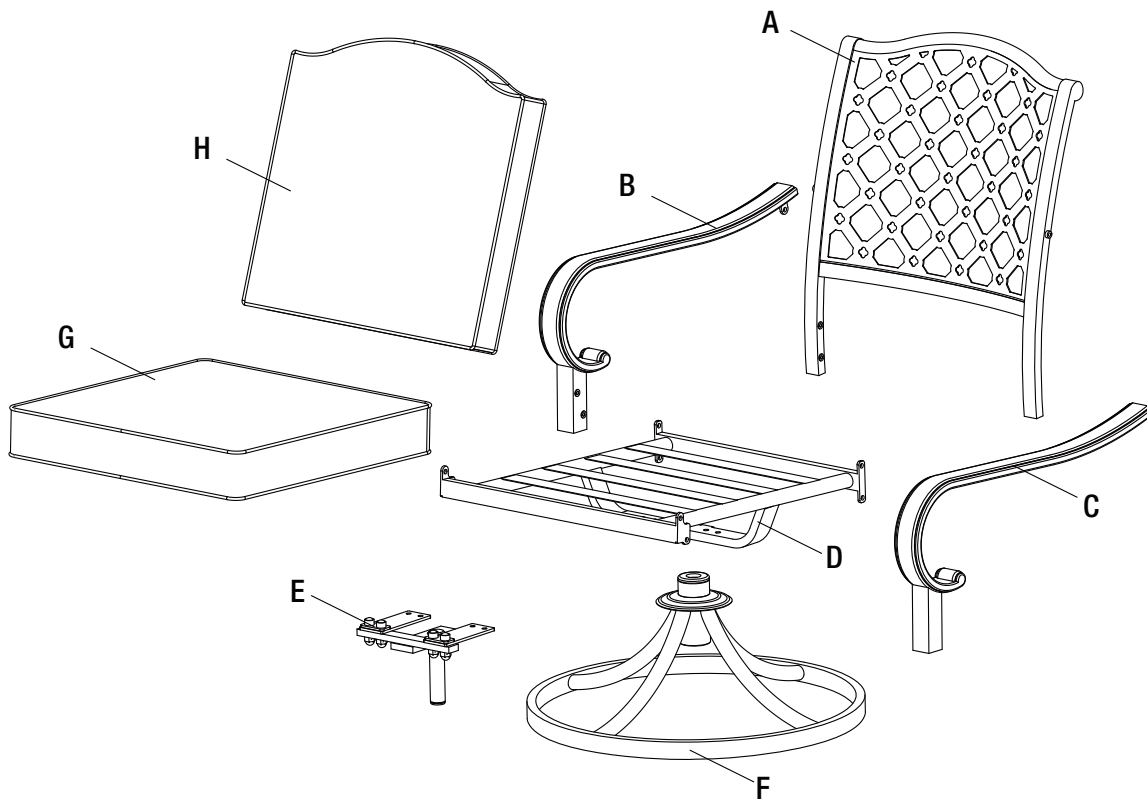
Part	Description	Quantity
AA	M8x40 Bolt	4
BB	M6x20 Bolt	10
CC	Washer for M8 bolt	4
DD	Washer for M6 bolt	10
EE	Spring washer	4
FF	Nut	4
GG	Bolt cap for nut	8
HH	Bolt cap for bolt AA	8
II	Bolt cap for bolt BB	10
JJ	Hex wrench	2
KK	Metal plate	2
LL	Allen driver	1

# Pre-Assembly

## CHAIR PACKAGE CONTENTS



**IMPORTANT:** Do not fully tighten bolts/screws until all pieces are loosely assembled.



Part	Description	Quantity
A	Chair back	1
B	Right arm	1
C	Left arm	1
D	Chair seat	1
E	T- rock	1
F	Chair base	1
G	Seat cushion	1
H	Back cushion	1

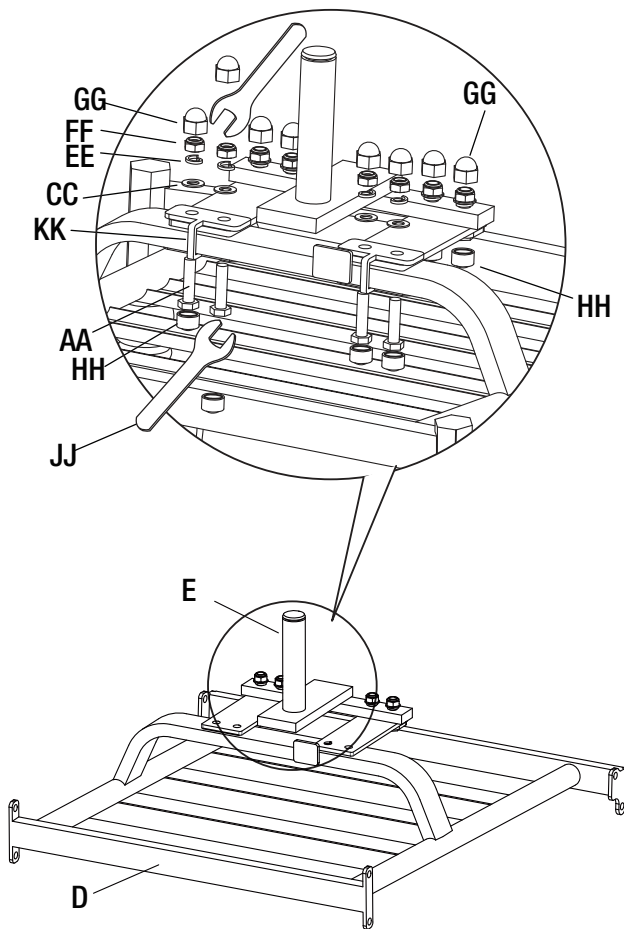
# Assembly

## 1 Attaching the T-rock to the seat

- Attach the T-rock (E) to the chair seat (D) using M8 bolts (AA), metal plate (KK), washers (CC and EE), and nuts (FF).

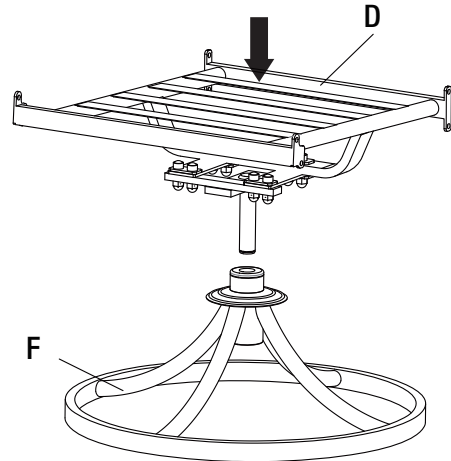


**NOTE:** Please ensure all the bolts are assembled correctly and use the hex wrench (JJ) to tighten. Do not fully tighten bolts/screws until all pieces are loosely assembled. Add the corresponding plastic caps (GG and HH) after final assembly is finished.



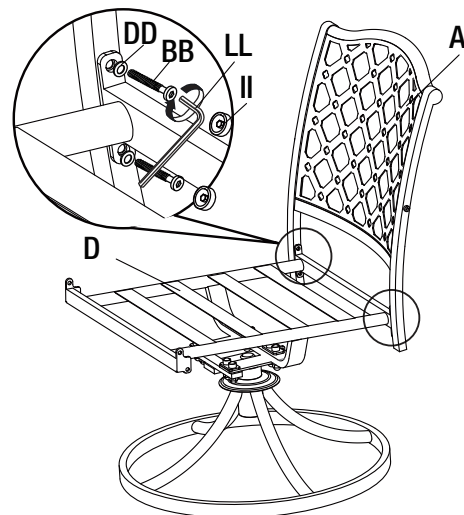
## 2 Attaching the seat to the chair base

- Attach the seat (D) to the chair base (F).



## 3 Attaching the chair back to the chair seat

- Attach the chair back (A) to the chair seat (D) using M6 bolts (BB) and washers (DD).



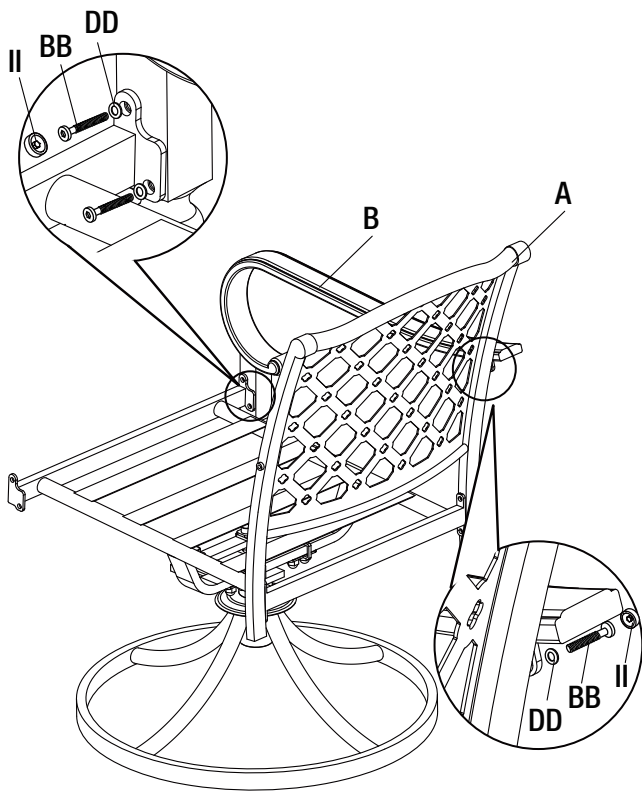
## Assembly

### 4 Attaching the right arm to the chair seat and back

- Attach the right arm (B) to the chair seat (D) and chair back (A) using M6 bolts (BB) and washers (DD).

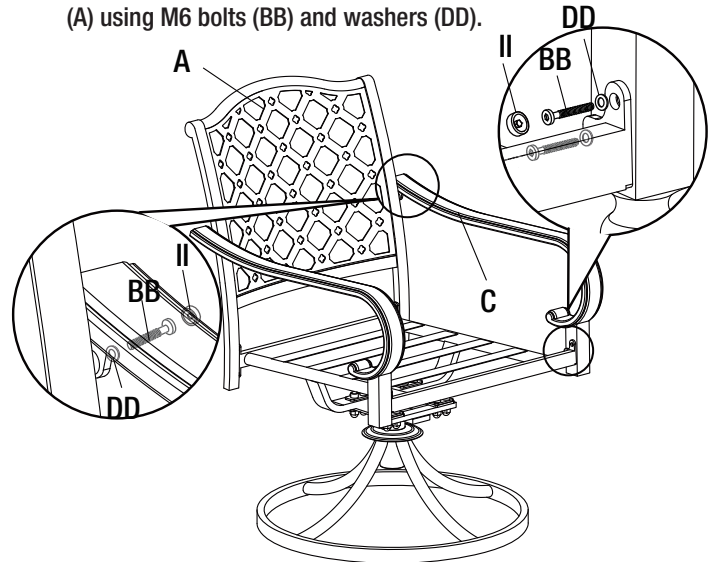


**NOTE:** Please ensure all the bolts are assembled correctly and use the allen driver (LL) to tighten. Do not fully tighten bolts/screws until all pieces are loosely assembled. Add the corresponding plastic caps (II) after final assembly is finished.



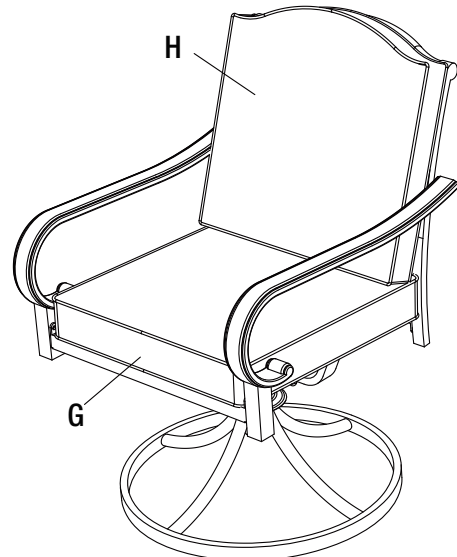
### 5 Attaching the left arm to the chair seat and back

- Attach the left arm (B) to the chair seat (D) and chair back (A) using M6 bolts (BB) and washers (DD).



### 6 Adding the cushions

- Add seat cushion (G) and back cushion (H).



## Care and Cleaning

---

- Do not allow water to build up in the frames. This will cause corrosion and possible freezing damage in cold climates.
- Use a mild soap and water for normal cleaning. Do not use janitorial or alcohol based cleaners. Some cleaners may be marked as natural, but some ingredients may cause discoloration or have an adverse reaction to your finish.
- Rinse with clean water and dry with a soft, absorbent cloth towel.
- Treat the frames with a liquid wax for maximum protection against UV rays and/or salty, damp air.



Questions, problems, missing parts? Before returning to the store,  
call Hampton Bay Customer Service  
8 a.m.-7 p.m., EST, Monday-Friday,  
9 a.m.-6 p.m., EST, Saturday

**1-855-HD-HAMPTON**

**HAMPTONBAY.COM**

Retain this manual for future use.



Ítem # 1003 308 705  
1003 262 796  
Modelo # 755.0310.000

## GUÍA DE USO Y CUIDADO

---

### SILLA COMEDOR LAUREL OAKS



¿Tiene preguntas, problemas o le faltan partes? Antes de hacer una devolución a la tienda, llame al Servicio de Atención al Cliente de Hampton Bay de lunes a viernes de 8:00 a 19:00 (hora de la costa este de EEUU), de sábado de 9:00 a 18:00 (hora de la costa este de EEUU)

**1-855-HD-HAMPTON**

**HAMPTONBAY.COM**

---

#### **GRACIAS**

*Apreciamos la confianza que ha puesto en Hampton Bay con la compra de esta silla. Nos dedicamos a crear productos de calidad diseñados para mejorar su hogar. Visítenos en línea para ver nuestra línea completa de productos disponibles para hacer que su hogar sea mejor. ¡Gracias por elegir Hampton Bay!*

# Índice

Índice.....	2	Elementos de Montaje Incluidos .....	3
Información de Seguridad .....	2	Contenido del paquete de silla .....	4
Garantía.....	2	Montaje.....	5
Qué Cubre .....	2	Cuidado y Limpieza .....	6
Qué No Cubre.....	2		
Pre-Montaje .....	3		
Planificación de la Instalación .....	3		

## Información de Seguridad

### GUARDA ESTAS INSTRUCCIONES



**ADVERTENCIA:** LOS COMBUSTIBLES UTILIZADOS EN ELECTRODOMÉSTICOS DE GAS PROPANO LICUADO, Y LOS PRODUCTOS DE COMBUSTIÓN DE DICHOS COMBUSTIBLES, PUEDEN EXPONERLE A LOS PRODUCTOS QUÍMICOS, INCLUIDO EL BENCENO, QUE SE SABE QUE EL ESTADO DE CALIFORNIA CAUSA CÁNCER Y CAUSA DEFECTOS DE NACIMIENTO U OTROS REPRODUCTIVEHARM. Para obtener más información, vaya a: [www.P65Warnings.ca.gov](http://www.P65Warnings.ca.gov).



**ADVERTENCIA:** LOS COMBUSTIBLES UTILIZADOS EN EL ARTEFACTO DE MADERA O DE CARBÓN, Y LOS PRODUCTOS DE COMBUSTIÓN DE DICHOS COMBUSTIBLES PUEDEN EXPONER USTED A PRODUCTOS QUÍMICOS, INCLUYENDO EL NEGRO DE CARBONO, QUE SE SABE QUE EL ESTADO DE CALIFORNIA CAUSA CÁNCER, Y EL MONÓXIDO DE CARBONO, CONOCIDO POR EL ESTADO DE CALIFORNIA COMO CAUSANTE DE DEFECTOS DE NACIMIENTO U OTROS DAÑOS EN LA REPRODUCCIÓN. Para obtener más información, vaya a: [www.P65Warnings.ca.gov](http://www.P65Warnings.ca.gov).

### LEA TODAS LAS INSTRUCCIONES ANTES DEL USO

Para reducir el riesgo de lesiones a las personas:

1. Es necesaria una supervisión estricta cuando este mobiliario es utilizado por o cerca de niños o personas discapacitadas, si corresponde.
2. Utilice este mobiliario solo para su uso previsto como se describe en estas instrucciones. No use accesorios no recomendados por el fabricante.



**CUIDADO:** Lea todas las instrucciones de este manual antes de empezar el montaje. ¡El no hacerlo podrá resultaren un montaje con problemas y posibles lesiones!

## Garantía

### 2 AÑOS DE GARANTÍA

#### QUÉ CUBRE

Garantimos el producto contra defectos de fabricación al comprador original durante dos años.

#### QUÉ NO CUBRE

El cliente sigue responsable por los costos con el flete de ida y vuelta y el acondicionamiento hasta nuestro centro de servicios. Esta garantía no cubre el uso comercial, los elementos de montaje, casos de fuerza mayor, congelamiento o uso abusivo. Además, las partes compradas no están cubiertas por esta garantía.

Reservamos el derecho de hacer reemplazos por mercaderías similares si el modelo en cuestión ya no se produce.

Comuníquese con la Atención al Cliente por el 1-855-HD-HAMPTON o visite [www.hamptonbay.com](http://www.hamptonbay.com).



# Pre-Montaje

## PLANIFICACIÓN DEL MONTAJE

Lea este manual de instrucciones completo antes del montaje.

Identifique todas las partes empacadas en la caja contra la lista de partes. Quite todos los materiales de protección y ponga las partes sobre una superficie no abrasiva para evitar arañazos.

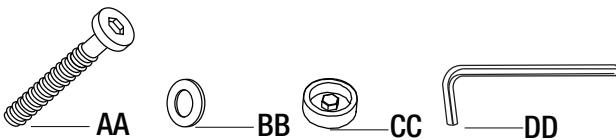


**NOTA:** Puede que más de una persona sea necesaria para armar este producto.

## ELEMENTOS DE MONTAJE INCLUIDOS



**NOTA:** Los elementos de montaje no se muestran en tamaño real.



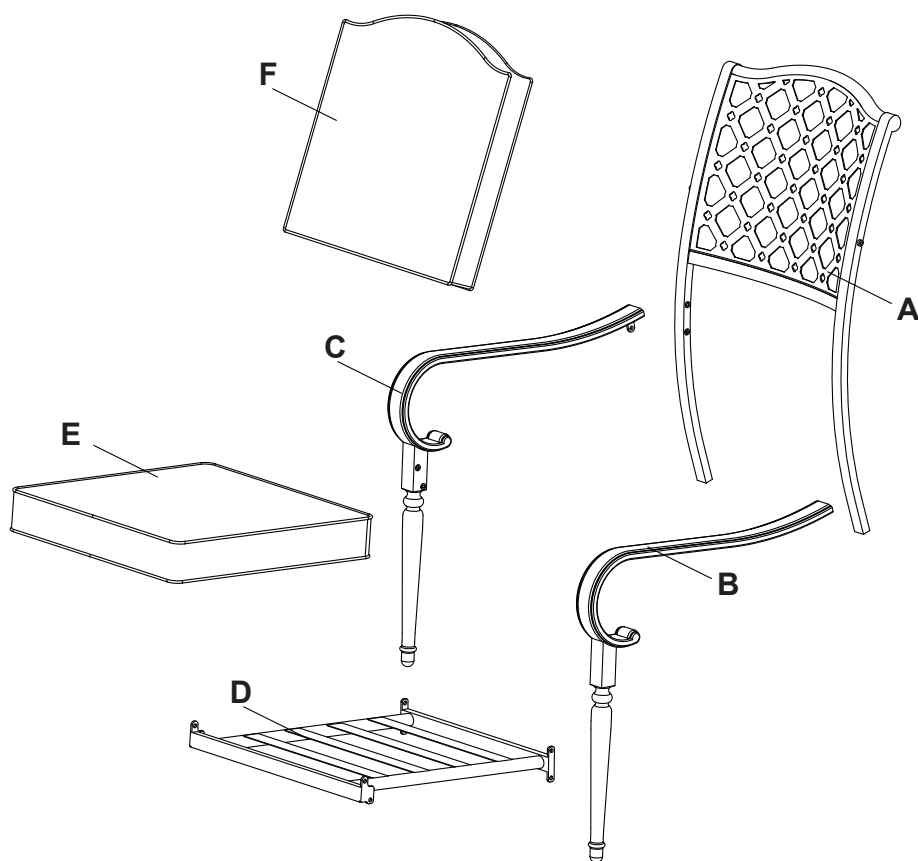
Parte	Descripción	Cantidad
AA	Perno M6x20 Bolt	10
BB	Arandela	10
CC	Tapa de plástico	10
DD	Llave	1

# Pre-Montaje

## CONTENIDO DEL PAQUETE DE SILLA



**IMPORTANTE:** No apretar los pernos / tornillos hasta que todas las piezas se ensamblan sin apretar.



Parte	Descripción	Cantidad
A	Presidente del respaldo	1
B	Brazo izquierdo	1
C	Brazo derecho	1
D	Asiento de la silla	1
E	Cojín del asiento	1
F	Cojín trasero	1

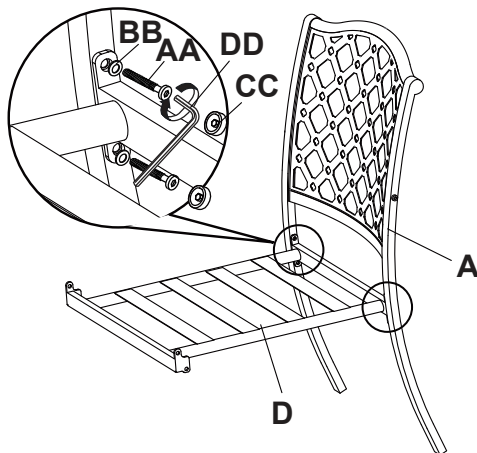
## Montaje

### 1 Fijación la silla a la silla asiento

- Coloque la silla hacia atrás (A) en el asiento de la silla (D) usando pernos M6 (AA) y arandelas (BB).



**NOTA:** Por favor asegúrese de que todos los tornillos están correctamente montados y utilizar la llave (EE) para apretar. No apretar los pernos / tornillos hasta que todas las piezas se ensamblan sin apretar. Cubrir todos los tornillos con los tapones de plástico Una vez concluido el montaje final.

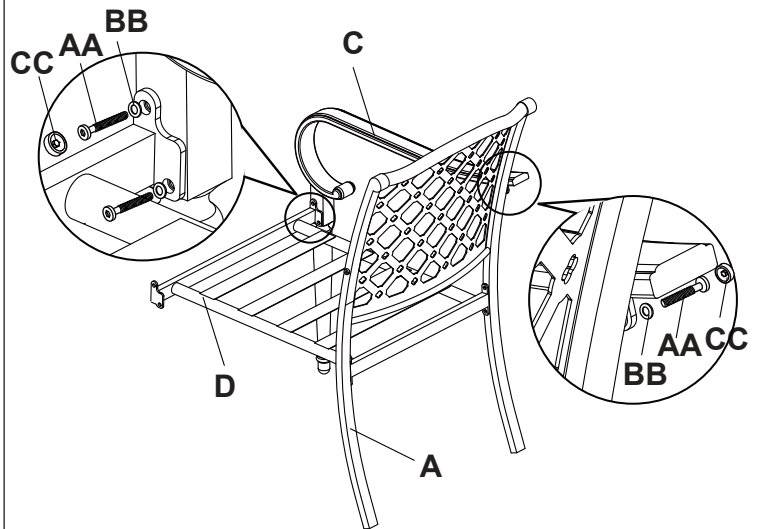


### 2 Colocando el brazo derecho en el asiento y espalda

- Una el brazo derecho (C) al asiento de la silla (D) y al respaldo de la silla (A) usando pernos M6 (AA) y arandelas (BB).



**NOTA:** Por favor asegúrese de que todos los tornillos están correctamente montados y utilizar la llave (EE) para apretar. No apretar los pernos / tornillos hasta que todas las piezas se ensamblan sin apretar. Cubrir todos los tornillos con los tapones de plástico Una vez concluido el montaje final.

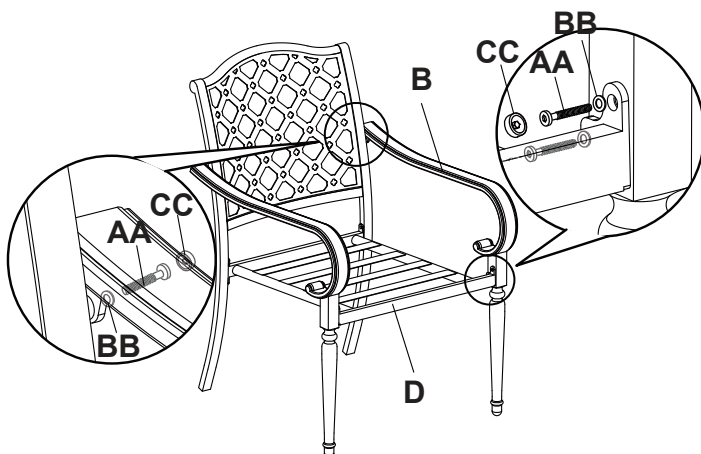


### 3 Colocando el brazo izquierdo en el asiento y espalda

- Conecte la arandela izquierda (B) al asiento de la silla (D) y al respaldo de la silla (A) con pernos M6 (AA) y arandelas (BB).

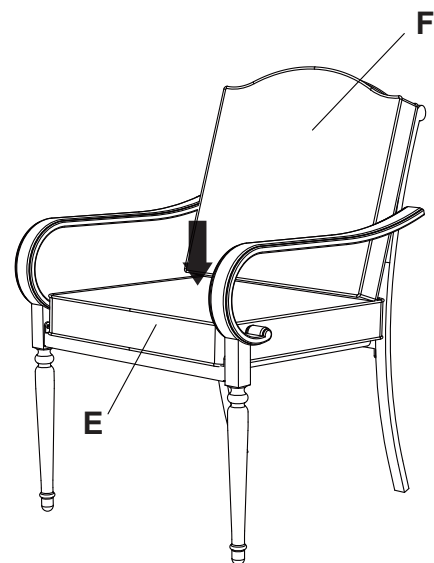


**NOTA:** Por favor asegúrese de que todos los tornillos están correctamente montados y utilizar la llave (EE) para apretar. No apretar los pernos / tornillos hasta que todas las piezas se ensamblan sin apretar. Cubrir todos los tornillos con los tapones de plástico Una vez concluido el montaje final.



### 4 Colocación de los cojin

- Coloque el cojín del asiento (E) y el cojín del respaldo (F) en la silla.



## Cuidado y Limpieza

---

- No permita la acumulación de agua en el bastidor. Ello provocará corrosión y la posibilidad de daños por congelamiento en climas fríos.
- Use un jabón suave y agua para la limpieza normal. No utilice productos de limpieza domésticos ni ningún producto a base de alcohol. Algunos productos de limpieza pueden indicar que son naturales, pero algunos de sus ingredientes pueden provocar alteraciones de color o una reacción adversa en su acabado.
- Enjuáguela con agua limpia y séquela con una toalla de tela suave y absorbente.
- Trate los bastidores con una cera líquida para la máxima protección contra los rayos UV y/o el aire salado y húmedo.



¿Tiene preguntas, problemas o le faltan partes? Antes de hacer una devolución a la tienda,  
llame al Servicio de Atención al Cliente de Hampton Bay  
de lunes a viernes de 8:00 a 19:00 (hora de la costa este de EEUU),  
de sábado de 9:00 a 18:00 (hora de la costa este de EEUU)

**1-855-HD-HAMPTON**

**HAMPTONBAY.COM**

Guarde este manual para utilizarlo en el futuro.

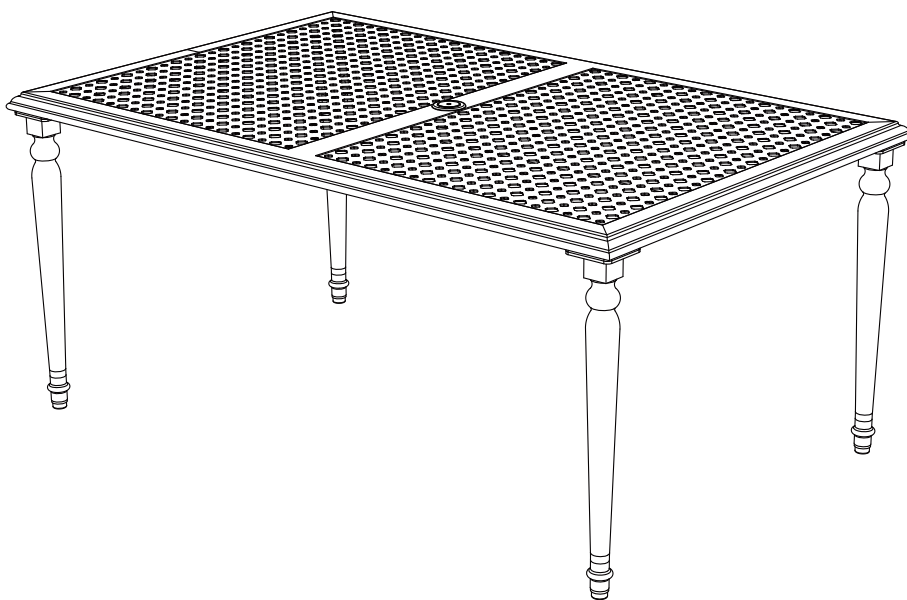


Ítem # 1003 308 705  
1003 262 796  
Modelo# 745.0300.000

## GUÍA DE USO Y CUIDADO

---

### MESA DE COMEDOR REDONDA LAUREL OAKS



¿Tiene preguntas, problemas o la faltan partes? Antes de hacer una devolución a la tienda, llame al Servicio de Atención al Cliente de Hampton Bay de lunes a viernes de 8:00 a 19:00 (hora de la costa este de EEUU), de sábado de 9:00 a 18:00 (hora de la costa este de EEUU)

**1-855-HD-HAMPTON**

**HAMPTONBAY.COM**

---

#### **GRACIAS**

*Apreciamos la confianza que ha puesto en Hampton Bay con la compra de esta mesa. Nos dedicamos a crear productos de calidad diseñados para mejorar su hogar. Visítenos en línea para ver nuestra línea completa de productos disponibles para hacer que su hogar sea mejor. ¡Gracias por elegir Hampton Bay!*

# Índice

Índice.....	2	Elementos de Montaje Incluidos.....	3
Información de Seguridad.....	2	Contenido del paquete de mesa.....	4
Garantía.....	2	Montaje.....	5
Qué Cubre.....	2	Cuidado y Limpieza.....	6
Qué No Cubre.....	2		
Pre-Montaje.....	3		
Planificación de la Instalación.....	3		

## Información de Seguridad

### GUARDA ESTAS INSTRUCCIONES



**ADVERTENCIA:** LOS COMBUSTIBLES UTILIZADOS EN ELECTRODOMÉSTICOS DE GAS PROPANO LICUADO, Y LOS PRODUCTOS DE COMBUSTIÓN DE DICHS COMBUSTIBLES, PUEDEN EXPONERLE A LOS PRODUCTOS QUÍMICOS, INCLUIDO EL BENCENO, QUE SE SABE QUE EL ESTADO DE CALIFORNIA CAUSA CÁNCER Y CAUSA DEFECTOS DE NACIMIENTO U OTROS REPRODUCTIVEHARM. Para obtener más información, vaya a: [www.P65Warnings.ca.gov](http://www.P65Warnings.ca.gov).



**ADVERTENCIA:** LOS COMBUSTIBLES UTILIZADOS EN EL ARTEFACTO DE MADERA O DE CARBÓN, Y LOS PRODUCTOS DE COMBUSTIÓN DE DICHS COMBUSTIBLES PUEDEN EXPONER USTED A PRODUCTOS QUÍMICOS, INCLUYENDO EL NEGRO DE CARBONO, QUE SE SABE QUE EL ESTADO DE CALIFORNIA CAUSA CÁNCER, Y EL MONÓXIDO DE CARBONO, CONOCIDO POR EL ESTADO DE CALIFORNIA COMO CAUSANTE DE DEFECTOS DE NACIMIENTO U OTROS DAÑOS EN LA REPRODUCCIÓN. Para obtener más información, vaya a: [www.P65Warnings.ca.gov](http://www.P65Warnings.ca.gov).

### LEA TODAS LAS INSTRUCCIONES ANTES DEL USO

Para reducir el riesgo de lesiones a las personas:

1. Es necesaria una supervisión estricta cuando este mobiliario es utilizado por o cerca de niños o personas discapacitadas, si corresponde.
2. Utilice este mobiliario solo para su uso previsto como se describe en estas instrucciones. No use accesorios no recomendados por el fabricante.
3. Esta tabla no está diseñada para soportar un paraguas. Paraguas debe tener una base o soporte adecuado.



**CUIDADO:** Lea todas las instrucciones de este manual antes de empezar el montaje. ¡El no hacerlo podrá resultaren un montaje con problemas y posibles lesiones!

## Garantía

### 2 AÑOS DE GARANTÍA

#### QUÉ CUBRE

Garantimos el producto contra defectos de fabricación al comprador original durante dos años.

#### QUÉ NO CUBRE

El cliente sigue responsable por los costos con el flete de ida y vuelta y el acondicionamiento hasta nuestro centro de servicios. Esta garantía no cubre el uso comercial, los elementos de montaje, casos de fuerza mayor, congelamiento o uso abusivo. Además, las partes compradas no están cubiertas por esta garantía.

Reservamos el derecho de hacer reemplazos por mercaderías similares si el modelo en cuestión ya no se produce.

Comuníquese con la Atención al Cliente por el 1-855-HD-HAMPTON o visite [www.hamptonbay.com](http://www.hamptonbay.com).

# Pre-Montaje

## PLANIFICACIÓN DEL MONTAJE

Lea este manual de instrucciones completo antes del montaje.

Identifique todas las partes empacadas en la caja contra la lista de partes. Quite todos los materiales de protección y ponga las partes sobre una superficie no abrasiva para evitar arañazos.



**NOTA:** Puede que más de una persona sea necesaria para armar este producto.

## ELEMENTOS DE MONTAJE INCLUIDOS



**NOTE:** Los elementos de montaje no se muestran en tamaño real.



AA



BB



CC



DD



EE

Parte	Descripción	Cantidad
AA	Perno M8x20	12
BB	Arandela	12
CC	Arandela de muelle	12
DD	Tapa para perno	12
EE	Llave hexagonal	1

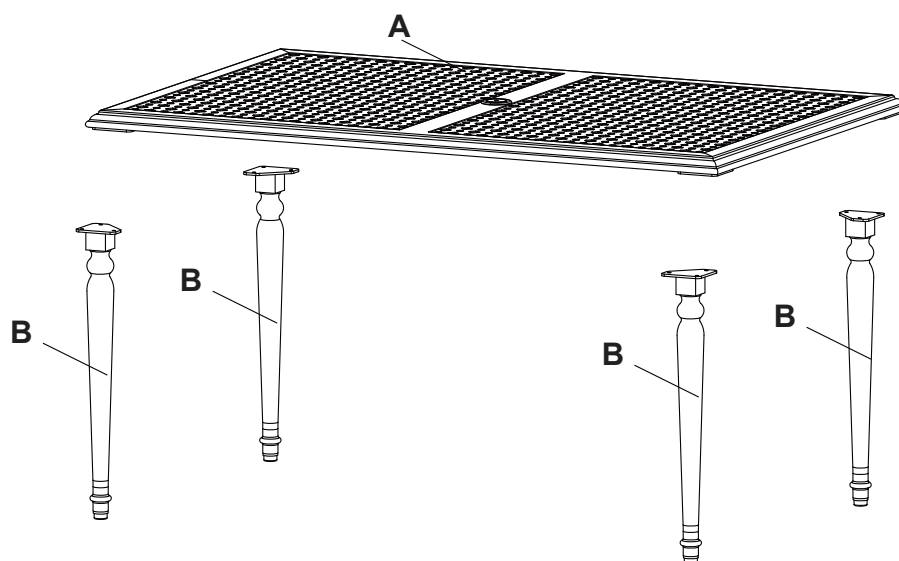


# Pre-Montaje

## CONTENIDO DEL PAQUETE MESA



**IMPORTANTE:** No apretar los pernos / tornillos hasta que todas las piezas se ensamblan sin apretar.



Parte	Descripción	Cantidad
A	Tapa de la mesa	1
B	Patas de la mesa	4

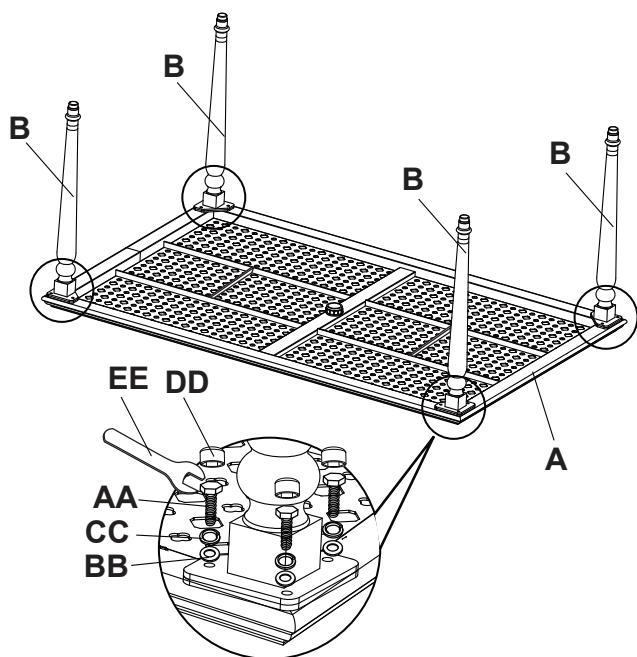
## Montaje

### 1 Colocar la pata de la mesa para la mesa

- Poner la tabla superior en la tierra suave. Colocar la pierna de la tabla (B) a la tapa de tabla (A) usando M8 pernos (AA), arandelas (BB) y arandelas (CC).

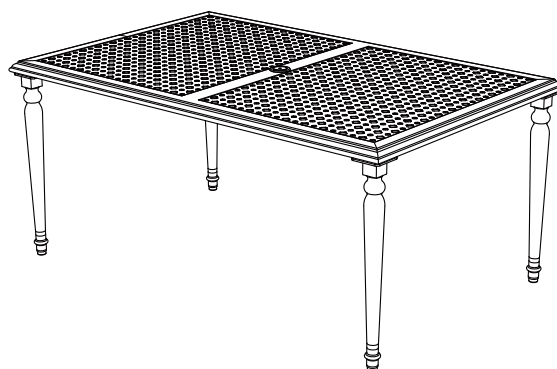


**NOTA:** Asegúrese que todos los pernos están montados correctamente y utilizan la llave hexagonal (EE) para apretar. No apriete completamente los pernos/los tornillos hasta que todas las piezas se montan libremente. Adición correspondientes tapas plásticas después de terminado el montaje final.



### 2 Volcar la tabla

- Voltee la tabla y en la tierra.



## Cuidado y Limpieza

---

- No permita la acumulación de agua en el bastidor. Ello provocará corrosión y la posibilidad de daños por congelamiento en climas fríos.
- Use un jabón suave y agua para la limpieza normal. No utilice productos de limpieza domésticos ni ningún producto a base de alcohol. Algunos productos de limpieza pueden indicar que son naturales, pero algunos de sus ingredientes pueden provocar alteraciones de color o una reacción adversa en su acabado.
- Enjuáguela con agua limpia y séquela con una toalla de tela suave y absorbente.
- Trate los bastidores con una cera líquida para la máxima protección contra los rayos UV y/o el aire salado y húmedo.



¿Tiene preguntas, problemas o le faltan partes? Antes de hacer una devolución a la tienda,  
llame al Servicio de Atención al Cliente de Hampton Bay  
de lunes a viernes de 8:00 a 19:00 (hora de la costa este de EEUU),  
de sábado de 9:00 a 18:00 (hora de la costa este de EEUU)

**1-855-HD-HAMPTON**

**HAMPTONBAY.COM**

Guarde este manual para utilizarlo en el futuro.

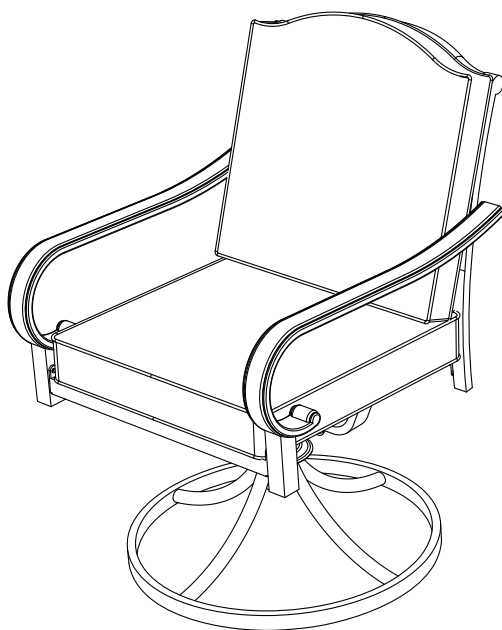


Ítem # 1003 308 705  
1003 262 796  
Modelo # 755.0311.000

## GUÍA DE USO Y CUIDADO

---

### MOVIMIENTO QUE CENA LA SILLA LAUREL OAKS



¿Tiene preguntas, problemas o la faltan partes? Antes de hacer una devolución a la tienda, llame al Servicio de Atención al Cliente de Hampton Bay de lunes a viernes de 8:00 a 19:00 (hora de la costa este de EEUU), de sábado de 9:00 a 18:00 (hora de la costa este de EEUU)

**1-855-HD-HAMPTON**

**HAMPTONBAY.COM**

---

#### **GRACIAS**

*Apreciamos la confianza que ha puesto en Hampton Bay con la compra de esta silla de comedor. Nos dedicamos a crear productos de calidad diseñados para mejorar su hogar. Visítenos en línea para ver nuestra línea completa de productos disponibles para hacer que su hogar sea mejor. ¡Gracias por elegir Hampton Bay!*

# Índice

Índice.....	2	Elementos de Montaje Incluidos.....	3
Información de Seguridad.....	2	Contenido del paquete de silla.....	4
Garantía.....	2	<b>Montaje.....</b>	<b>5,6</b>
Qué Cubre.....	2	<b>Cuidado y Limpieza.....</b>	<b>7</b>
Qué No Cubre.....	2		
Pre-Montaje.....	3		
Planificación de la Instalación.....	3		

## Información de Seguridad

### GUARDA ESTAS INSTRUCCIONES



**ADVERTENCIA:** LOS COMBUSTIBLES UTILIZADOS EN ELECTRODOMÉSTICOS DE GAS PROPANO LICUADO, Y LOS PRODUCTOS DE COMBUSTIÓN DE DICHOS COMBUSTIBLES, PUEDEN EXPONERLE A LOS PRODUCTOS QUÍMICOS, INCLUIDO EL BENCENO, QUE SE SABE QUE EL ESTADO DE CALIFORNIA CAUSA CÁNCER Y CAUSA DEFECTOS DE NACIMIENTO U OTROS REPRODUCTIVEHARM. Para obtener más información, vaya a: [www.P65Warnings.ca.gov](http://www.P65Warnings.ca.gov).



**ADVERTENCIA:** LOS COMBUSTIBLES UTILIZADOS EN EL ARTEFACTO DE MADERA O DE CARBÓN, Y LOS PRODUCTOS DE COMBUSTIÓN DE DICHOS COMBUSTIBLES PUEDEN EXPONER USTED A PRODUCTOS QUÍMICOS, INCLUYENDO EL NEGRO DE CARBONO, QUE SE SABE QUE EL ESTADO DE CALIFORNIA CAUSA CÁNCER, Y EL MONÓXIDO DE CARBONO, CONOCIDO POR EL ESTADO DE CALIFORNIA COMO CAUSANTE DE DEFECTOS DE NACIMIENTO U OTROS DAÑOS EN LA REPRODUCCIÓN. Para obtener más información, vaya a: [www.P65Warnings.ca.gov](http://www.P65Warnings.ca.gov).

### LEA TODAS LAS INSTRUCCIONES ANTES DEL USO

Para reducir el riesgo de lesiones a las personas:

1. Es necesaria una supervisión estricta cuando este mobiliario es utilizado por o cerca de niños o personas discapacitadas, si corresponde.
2. Utilice este mobiliario solo para su uso previsto como se describe en estas instrucciones. No use accesorios no recomendados por el fabricante.



**CUIDADO:** Lea todas las instrucciones de este manual antes de empezar el montaje. ¡El no hacerlo podrá resultaren un montaje con problemas y posibles lesiones!

## Garantía

### 2 AÑOS DE GARANTÍA

#### QUÉ CUBRE

Garantimos el producto contra defectos de fabricación al comprador original durante dos años.

#### QUÉ NO CUBRE

El cliente sigue responsable por los costos con el flete de ida y vuelta y el acondicionamiento hasta nuestro centro de servicios. Esta garantía no cubre el uso comercial, los elementos de montaje, casos de fuerza mayor, congelamiento o uso abusivo. Además, las partes compradas no están cubiertas por esta garantía.

Reservamos el derecho de hacer reemplazos por mercaderías similares si el modelo en cuestión ya no se produce.

Comuníquese con la Atención al Cliente por el 1-855-HD-HAMPTON o visite [www.hamptonbay.com](http://www.hamptonbay.com).

# Pre-Montaje

## PLANIFICACIÓN DEL MONTAJE

Lea este manual de instrucciones completo antes del montaje.

Identifique todas las partes empacadas en la caja contra la lista de partes. Quite todos los materiales de protección y ponga las partes sobre una superficie no abrasiva para evitar arañazos.

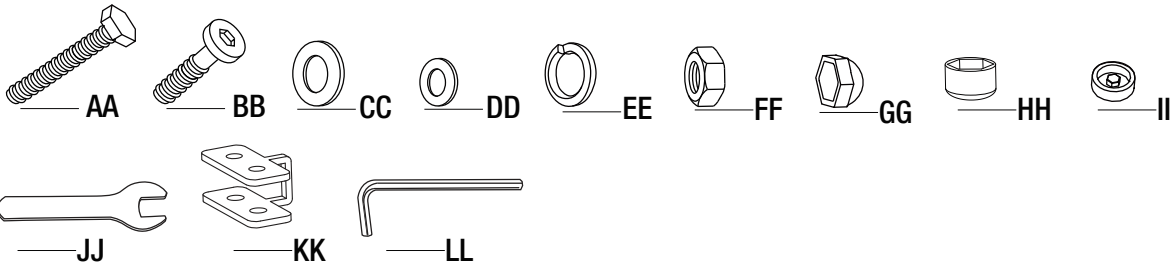


**NOTA:** Puede que más de una persona sea necesaria para armar este producto.

## HARDWARE INCLUIDO



**NOTA:** Los elementos de montaje no se muestran en tamaño real.



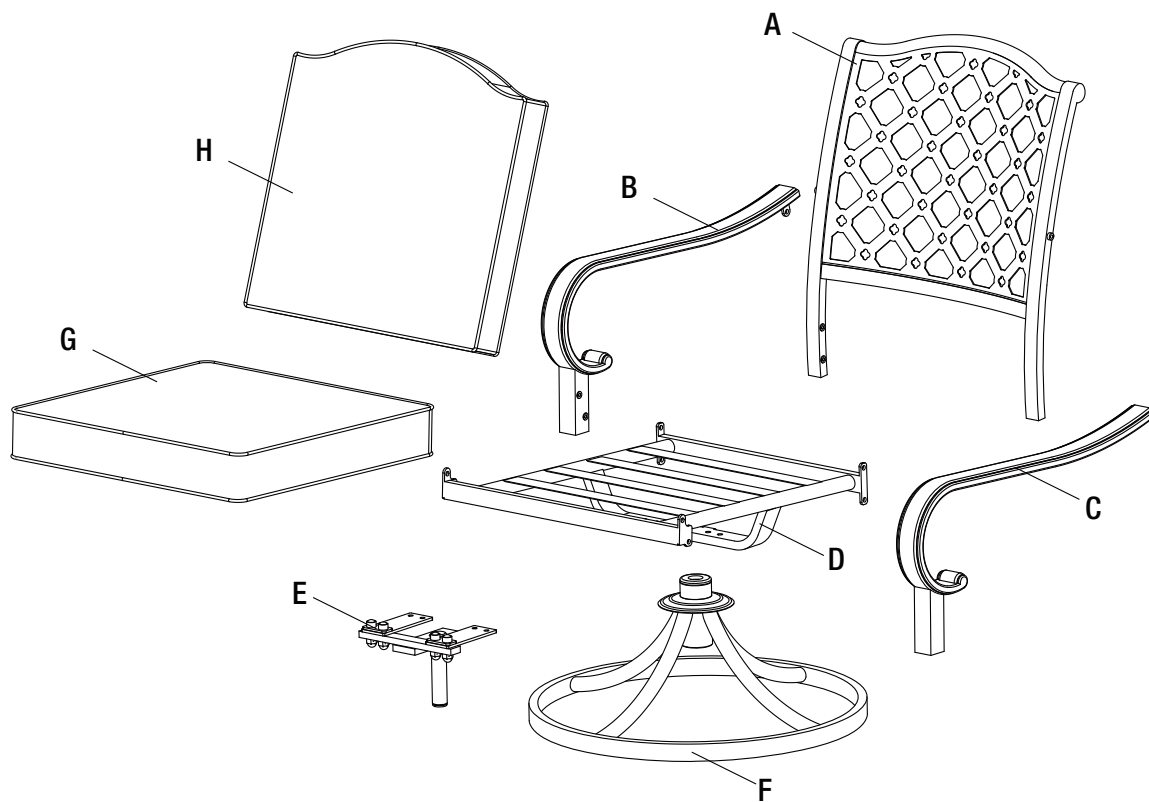
Parte	Descripción	Cantidad
AA	Perno M8x40	4
BB	Perno M6x20	10
CC	Arandela M8	4
DD	Arandela M6	10
EE	Arandela de muelle	4
FF	Nuez	4
GG	Tornillo de la tuerca	8
HH	Tapa del perno para perno AA	8
II	Tapa del perno para perno BB	10
JJ	Llave	2
KK	Placa perforada	2
LL	Llave	1

# Pre-Montaje

## CONTENIDO DEL PAQUETE DE SILLA



**IMPORTANTE:** No apretar los pernos / tornillos hasta que todas las piezas se ensamblan sin apretar.



Parte	Descripción	Cantidad
A	Respaldo	1
B	Brazo derecho	1
C	Brazo izquierdo	1
D	Asiento de la silla	1
E	T- rock	1
F	Base de la silla	1
G	Cojín del asiento	1
H	Cojín trasero	1



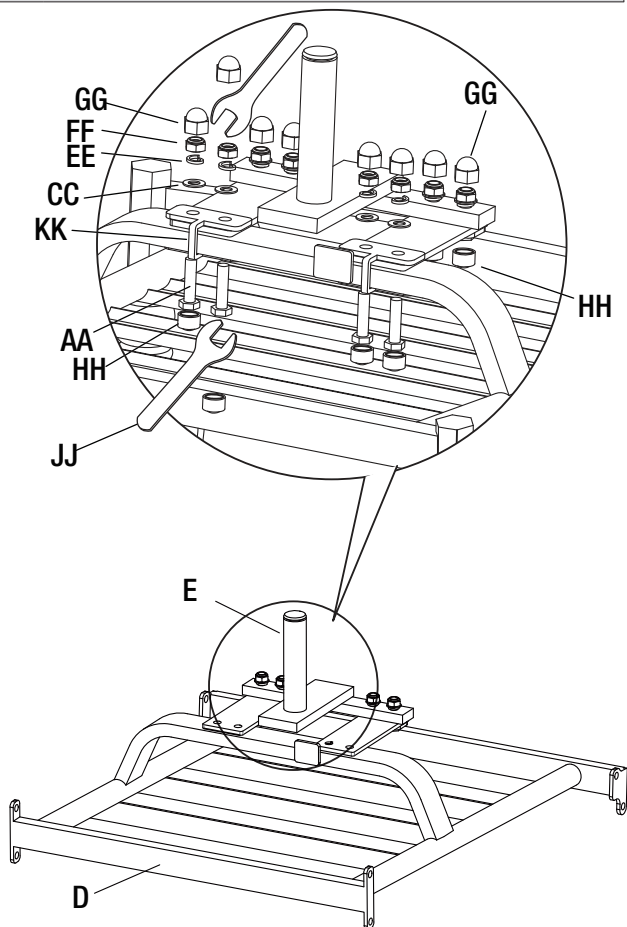
# Montaje

## 1 Montaje de la T-rock

- Coloque la roca T (E) en el asiento de la silla (D) utilizando tornillos M8 (AA), chapa (KK), arandelas (CC y EE) y tuerca (FF).

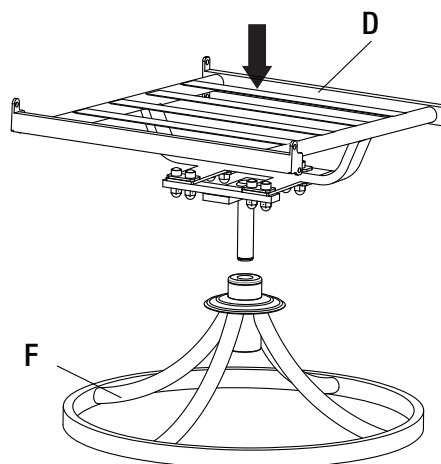


**NOTA:** Asegúrese de que todos los pernos están montados correctamente y use la llave hexagonal (JJ) para apretar. No apriete completamente los pernos / tornillos hasta que todas las piezas estén ensambladas sueltas. Agregar las tapas de plástico correspondientes después de terminar el montaje.



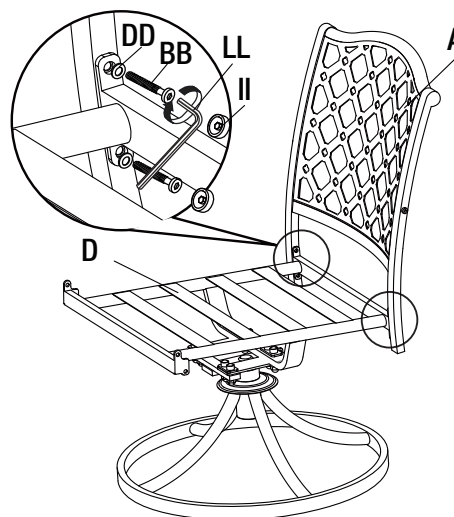
## 2 Colocación del asiento en la base del asiento

- Colocación del asiento(D) en la base del asiento(F).



## 3 Colocación la espalda en el asiento

- Coloque la silla de la (A) en el asiento de la silla (D) usando pernos M6 (BB) y arandelas (DD).



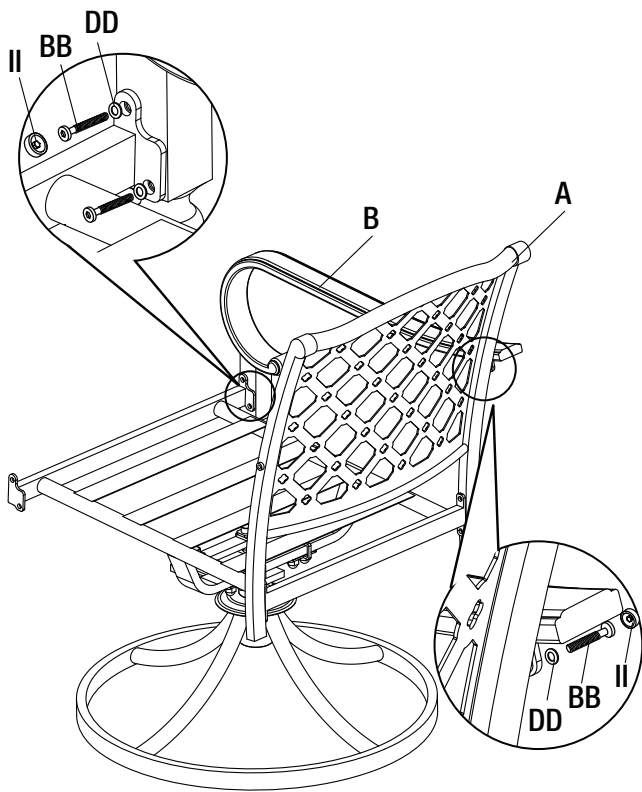
## Montaje (continuación)

### 4 Colocar el brazo derecho a la silla de asiento y respaldo

- Coloque el brazo derecho (B) en el asiento de la silla (D) y el respaldo de chairt (A) usando pernos M6 (BB) y arandelas (DD).

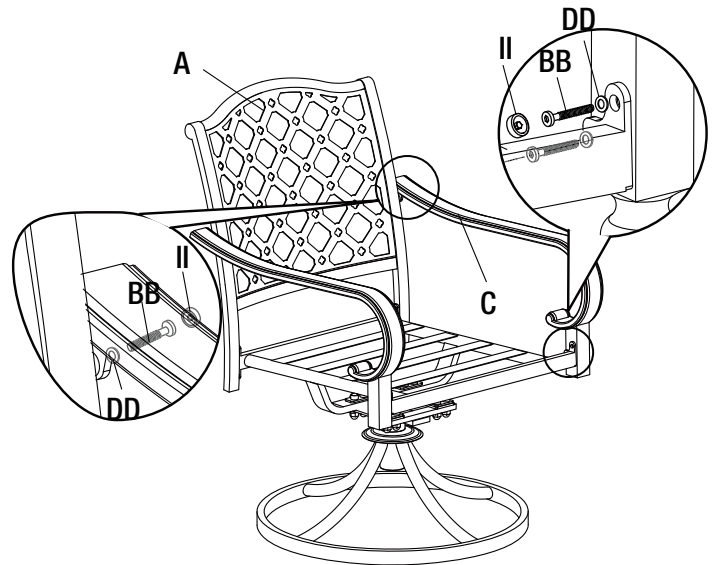


**NOTA:** Asegúrese de que todos los pernos están montados correctamente y use la llave hexagonal (LL) para apretar. No apriete completamente los pernos / tornillos hasta que todas las piezas estén ensambladas sueltas. Agregar las tapas de plástico correspondientes después de terminar el montaje.



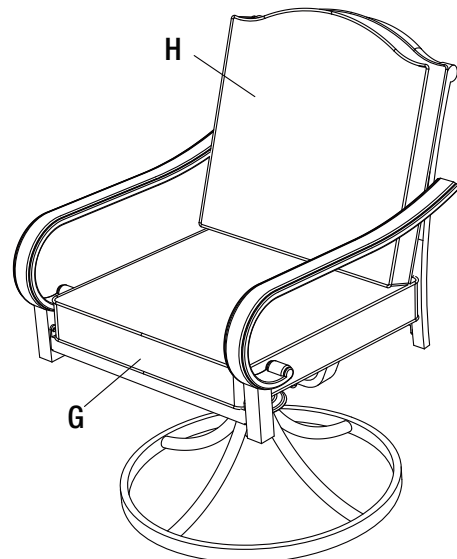
### 5 Colocar el brazo izquierdo a la silla de asiento y respaldo

- Coloque el brazo izquierdo (B) en el asiento de la silla (D) y el respaldo de chairt (A) usando pernos M6 (BB) y arandelas (DD).



### 6 Colocación de los cojines en el asiento

- Coloque los cojines (H y G) en el asiento.



## Cuidado y Limpieza

---

- No permita la acumulación de agua en el bastidor. Ello provocará corrosión y la posibilidad de daños por congelamiento en climas fríos.
- Use un jabón suave y agua para la limpieza normal. No utilice productos de limpieza domésticos ni ningún producto a base de alcohol. Algunos productos de limpieza pueden indicar que son naturales, pero algunos de sus ingredientes pueden provocar alteraciones de color o una reacción adversa en su acabado.
- Enjuáguela con agua limpia y séquela con una toalla de tela suave y absorbente.
- Trate los bastidores con una cera líquida para la máxima protección contra los rayos UV y/o el aire salado y húmedo.



¿Tiene preguntas, problemas o le faltan partes? Antes de hacer una devolución a la tienda,  
llame al Servicio de Atención al Cliente de Hampton Bay  
de lunes a viernes de 8:00 a 19:00 (hora de la costa este de EEUU),  
de sábado de 9:00 a 18:00 (hora de la costa este de EEUU)

**1-855-HD-HAMPTON**

**HAMPTONBAY.COM**

Guarde este manual para utilizarlo en el futuro.

