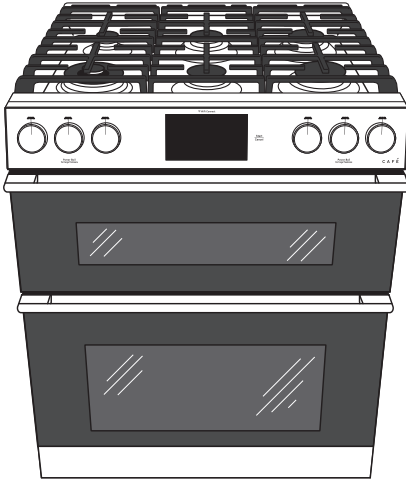


Café™ 30" Slide-In Front Control Dual-Fuel Double Oven with Convection Range

C2S950M2NS5

CAFÉ

DISTINCT BY DESIGN™



FEATURES & BENEFITS

Expansive six-burner cooktop helps you entertain with ease - Entertaining for large groups is easy with the industry's first six burner, edge-to-edge cooktop that can accommodate cookware of all sizes and a cast-iron integrated griddle that provides enough room to perfectly flip crab cakes, arepas and other crowd favorites

Enjoy total control in the kitchen and beyond - Control your oven with your smart device or simply your voice using WiFi Connect

A touch of brilliance - Bring interactive capabilities into your kitchen with a 7" LCD touch screen that looks stunning and makes it easy to control your oven

Share favorite creations with your favorite people - Create an unforgettable dinner, using a 21K tri-ring burner to do everything from searing scallops to simmering a lemon caper white wine sauce and a 15K power boil burner to boil water quickly for al dente angel hair pasta

Everything you need for unforgettable results - Get the precision you need to pull off a multi-course dinner party with this 7.0 cu. ft. double oven dual fuel range, which boasts a gas-powered cooktop for precise heat control and electric True European Convection with Precise Air in the oven for even baking results

Tough racks simplify loading and unloading - Easily access everything from heavy roasts to delicate desserts with a heavy duty roller rack that glides smoothly on ball bearings and can stand up to the heat of self-clean

Prepare foods to perfect doneness - Get roasts and meats just right with a temperature probe that lets you monitor progress without opening the oven door

Allow your appliances to interact with one another - Create a chef-like experience with Chef Connect, which can synchronize your appliance clocks and surface lights and vent when a range burner is in use, and even your microwave and range clocks

APPEARANCE

| | |
|----------------------------|-------------------------------------------------|
| Cooktop Burner Grate Color | Matte Black |
| Installation | Flush Appearance; Free-standing cut-out |
| Oven Door Features | Big Clear View Oven Window; Frameless Oven Door |
| Handle Color | Stainless Steel |
| Handle Design | Café Minimal |
| Control Knobs | Weighted Stainless Steel Appearance |
| Frameless Oven Door(s) | Stainless Steel |

FEATURES

| | |
|-------------------------------|--------------------------------------------------------------------------------------------------------------------------------------------------------------------------------------------------------------------------------------------------------------------------------------------------------------------------------------------------------------|
| Configuration | Double Oven Range |
| Cooking System | True European Precise Air Reversing |
| Cooking Technology | Traditional Upper; Convection Lower |
| Oven Cleaning Type | Self-Clean with Steam Clean Option |
| Burner - Left Front | 21,000 BTU Tri-ring Burner |
| Burner - Left Rear | 5,000 BTU Precise Simmer |
| Burner - Right Front | 15,000 BTU |
| Burner - Right Rear | 12,000 BTU |
| Burner - Center | 9,500 BTU Front / 9,500 BTU Rear |
| Cooktop Burner Type | Sealed |
| Cooktop Surface | Deep Recessed; Stainless Steel |
| Dishwasher Safe Knobs | Yes |
| Control Location | Front controls |
| Control Type | LCD - Touch |
| Valves (Degree of Turn) | 270 |
| Oven Control Features | Audible Preheat Signal; Automatic Oven Timer (Time Bake); Auto Oven Shut-Off; Auto Self Clean; Certified Sabbath Mode; Chef Connect; Control Lock Capability; Delay Bake Option (Time Bake); Delay Clean Option; Electronic Clock and Timer; Front Controls; In-Oven Broiling; Temperature Probe; Self-Clean Cool Down Time Display; Precision Cooking Modes |
| Oven Cooking Modes | Convection Bake; Convection Roast |
| Oven Features | 6-Pass Broil Element; 8-Pass Broil Element |
| Cooktop Burner Grate Features | Heavy-Cast Edge-to-Edge Grates |
| Cooktop Burner Grate Material | Cast-Iron |
| Cleaning Time | Variable with Delay Clean Option |
| Self-Clean Oven Door Lock | Automatic |
| Oven Rack Features | 1 Roller Rack (Upper); 2 Self-Clean Flat Oven Racks (Lower); 6 Rack Positions |
| Fuel Type | 240V Electric and Natural Gas |
| Ignition System | Electronic w/Auto Reignition |
| Leveling System | 4 Leveling Legs |
| Style | Minimal |
| Oven Interior | 2 Oven Interior Lights; Hidden Bake; Black |
| Connected Capabilities | Amazon Alexa; The Google Assistant; IFTTT; Nest; Drop; Innit; DiGiorno |
| WiFi Connect | Built-In |
| Lower Oven Features | Dual element bake |

CAPACITY

| | |
|-----------------------------|-----------------------|
| Total Capacity (cubic feet) | 7.0 cu ft |
| Capacity (Cu. Ft.) | 2.7 Upper / 4.3 Lower |

ACCESSORIES

| | |
|-------------------|-------------------------------------------|
| Grates | Included Center Grate |
| Grill | Optional; Integrated Cast Iron; JXCGRILL1 |
| LP Conversion Kit | Included |
| Trim Kit | Optional; JXFILLR1SS |
| Griddle | Included; Integrated Cast Iron |

INCLUDED CENTER GRATE

WEIGHTS & DIMENSIONS

| | |
|--------------------------------------------|----------------------------------------------------------|
| Cabinet Opening | 30 in |
| Depth with Door Open | 43-7/8 in |
| Approximate Shipping Weight | 291 lb |
| Net Weight | 271 lb |
| Height to Top of Rear Vent Trim | 37-3/8 in |
| Overall Height | 37-3/8 in |
| Height to Cooking Surface (in.) | 36-1/4 +/- 1/4 |
| Overall Width | 29-7/8 in |
| Cabinet Width | 30 in |
| Overall Depth | 29-3/8 in |
| Depth Without Handle | 26-7/8 in |
| Oven Interior Dimensions (W x H x D) (in.) | 24 x 10-1/8 x 19-1/8 - Upper 24 x 15 x 20-5/8 - Lower |

Café™ 30" Slide-In Front Control Dual-Fuel Double Oven with Convection Range

C2S950M2NS5

CAFÉ

DISTINCT BY DESIGN™

POWER / RATINGS

| | |
|------------------------------------------------|-------------------------------------------------------------|
| Amp Rating at 208V | 30 |
| Amp Rating at 240V | 30 |
| Convection Wattage | 2500W |
| Top Burner BTU Rating - LP (000's BTU's) | (1) 18.0 Tri-Ring; (1) 15.0; (1) 12.0; (2) 9.5; (1) 5.0 |
| Top Burner BTU Rating - Nat. Gas (000's BTU's) | (1) 21.0 Tri-Ring; (1) 15.0; (1) 12.0; (2) 9.5; (1) 5.0; |
| Volts/Hertz/Amps | 208/240V; 60Hz; 30A |
| Power Connection | Power Cord - Not Included |
| Bake Wattage | 2650W Upper / 2650W Lower |
| Broiler Wattage | 3000W Upper / 3600W Lower |

WARRANTY

| | |
|----------------|---------------------------------------|
| Parts warranty | Limited 1-year entire appliance |
| Labor warranty | Limited 1-year entire appliance |
| Warranty notes | See written warranty for full details |

DIMENSIONS

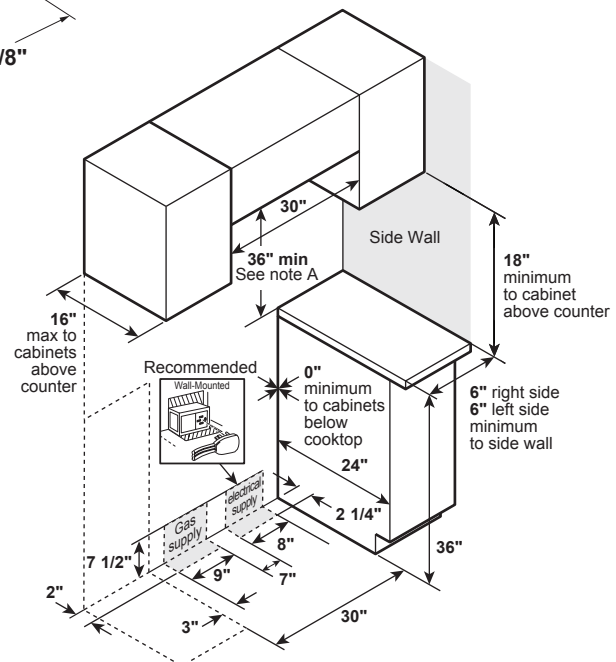
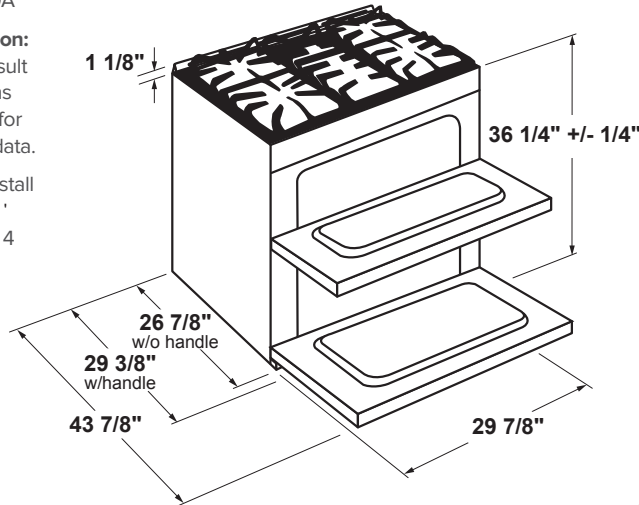
Electrical Requirements:

240v/208v; 60Hz, 30A

Installation information:

Before installing, consult installation instructions packed with product for current dimensional data.

For all installations, install the required rear trim to back of range with 4 screws provided.



Note A: 36" Minimum to bare cabinet, see installation instructions for heights less than 36"