



# Wine Cellar User Guide

<b>IVFWCT081HB</b> Holds 8 bottles Horizontal	<b>IVFWCT081B</b> Holds 8 bottles	<b>IVFWCT121B</b> Holds 12 bottles
<b>IVFWCT181B</b> Holds 18 bottles	<b>IVFWCT181DB</b> Holds 18 bottles Dual zone	<b>IVFWCT241DB</b> Holds 24 bottles Dual zone

Thank you for purchasing the Ivation thermoelectric wine cellar. This User Guide is intended to provide you with guidelines to ensure that operation of this product is safe and does not pose risk to the user. Any use that does not conform to the guidelines described in this User Guide may void the limited warranty.

Please read all directions before using the product and retain this guide for reference. This product is intended for household use only.

This product is covered by a limited one-year warranty. Coverage is subject to limits and exclusions. See warranty for details.

The Ivation Wine Cellar is the next best thing to having a real wine cellar in your home. Its quiet, vibration-free thermoelectric cooling system efficiently maintains the perfect protected, precisely temperature controlled interior climate for your favorite wines, helping to preserve the unique flavor and delicacy their vintners intended.

## Features

- Dual temperature zones maintain the perfect temperature for red and white wines
- Efficient thermoelectric cooling
- Low noise, low vibration – will not disturb sediment
- Touch controls and LCD display
- Soft interior lighting with on/off control
- Selectable Celsius or Fahrenheit temperature settings
- Temperature adjustable in 1° increments
- Pull-out chrome shelves
- Automatic panel lock
- Tempered smoked glass door
- Black metal cabinet
- Solid, CFC-free polyurethane foam insulation



## Safety Precautions

**WARNING! To reduce the risk of fire, electrical shock, or injury when using your appliance, follow these basic precautions:**

Read all instructions before using the product.

Never allow children to operate, play with, or crawl inside the appliance.

Never clean appliance parts with flammable fluids. The fumes can create a fire hazard or explosion.

Do not store or use gasoline or any other flammable vapors or liquids in the vicinity of this or any other appliance. The fumes can create a fire hazard or explosion.

Do not repair or replace any part of the unit or attempt any servicing unless specifically recommended in the user-maintenance instructions or in published user-repair instructions. Replace the fuse with the same type.

Position your wine cellar so that the plug is accessible.

Keep your wine cellar out of direct sunlight.

Do not place next to heat generating appliances.

Place the wine cellar on a level surface that is strong enough to support the unit when it is fully loaded. To level your wine cellar, adjust the front feet located at the bottom of the unit.

Important: Position the cellar in a dry, well-ventilated space with ambient temperature between 50° – 80°F (10° – 26°C).

Before connecting the unit to a power source, allow it stand upright for approximately 2 hours. This will reduce the possibility of any system malfunctions which may have occurred from handling during transportation.

When positioning the wine cellar, leave clearance space of 6 inches in the back and 10 inches on both sides. Do not place any objects on top of the unit that may block air circulation.

This unit requires a standard 110V-60Hz electrical outlet. The unit should be properly grounded for your safety and in order to minimize the possibility of electrical shock. The power cord is equipped with a 3-prong plug.

Never cut or remove the ground wire from the supplied power cord.

The use of extension cords is not recommended.

The cord should be secured behind the wine cellar. Also, to prevent accidental injury, do not expose or dangle the cord.

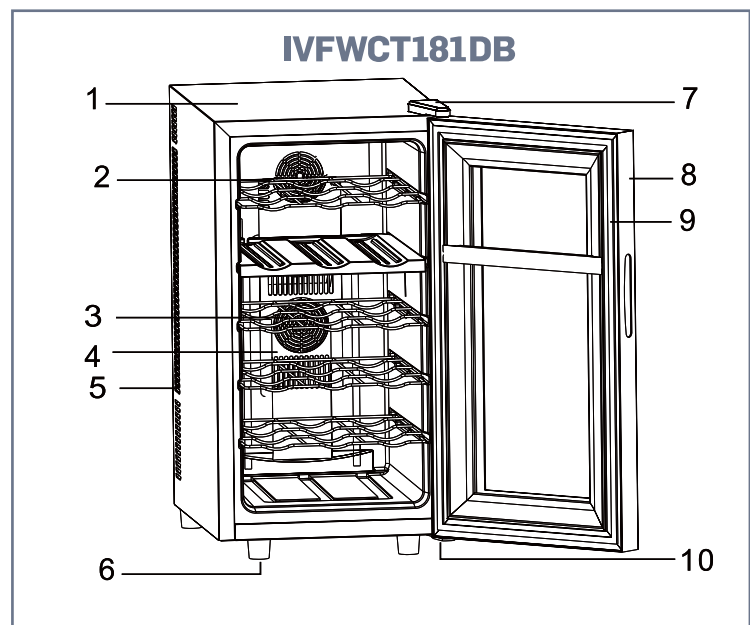
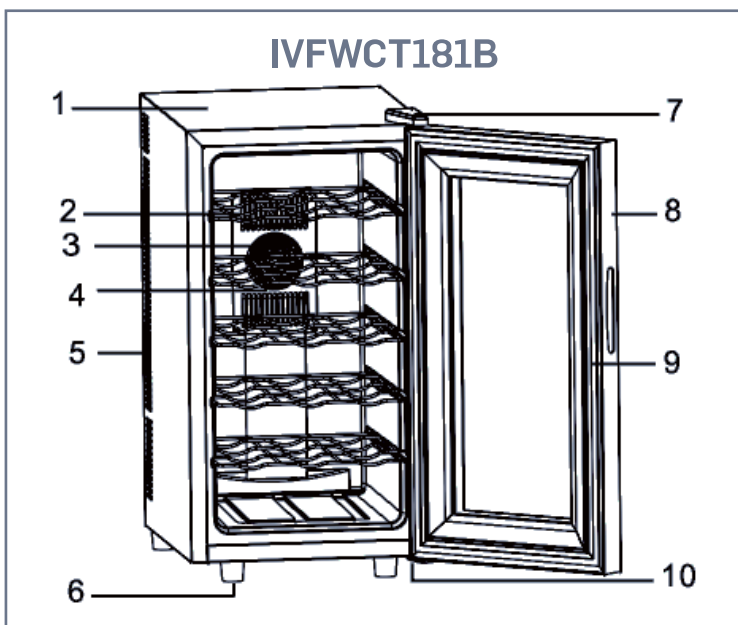
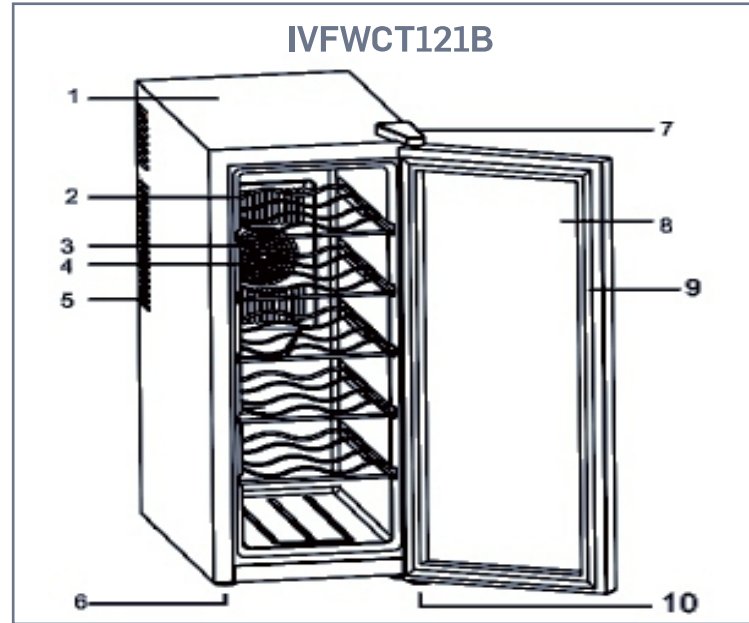
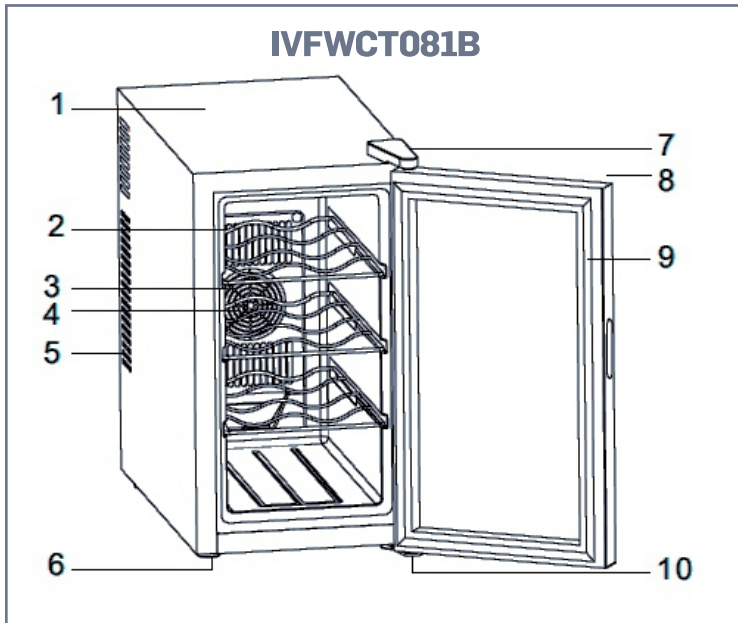
Do not install the wine cellar in a closed cabinet without proper ventilation.

Do not remove the feet on the bottom of the wine cellar. The unit requires at least 2 inches (50mm) of ground clearance.

*NOTE: If you are discarding an old electric wine cellar, remove the door and leave the shelves in place so that children may not easily climb inside.*

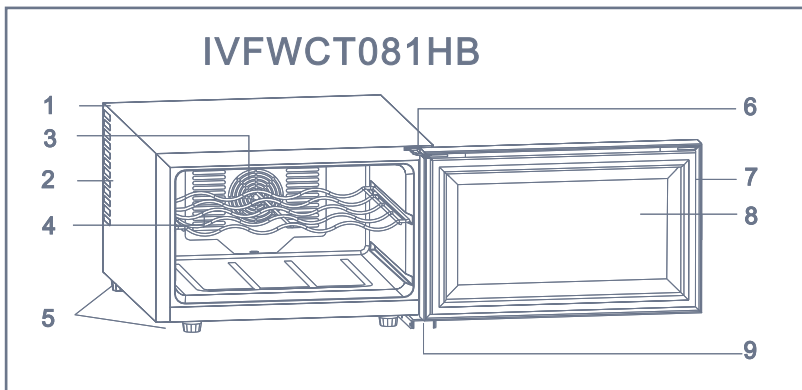
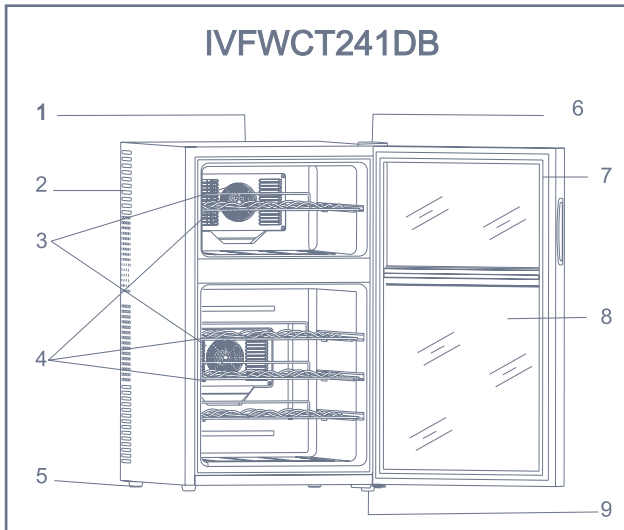
## Parts

1. Cabinet
2. Shelves
3. Fan
4. Fan cover
5. Ventilation grill
6. Foot
7. Upper door hinge with cover
8. Tempered glass door
9. Door gasket
10. Bottom hinge



## Parts

1. Cabinet
2. Ventilation grill
3. Fan cover
4. Shelves
5. Foot
6. Upper door hinge with cover
7. Door gasket
8. Tempered glass door
9. Bottom hinge



## Storage Capacity

- Model IVFWCT081HB and IVFWCT081B can store 8 standard wine bottles.
- Model IVFWCT121B can store 12 standard wine bottles.
- Model IVFWCT181B and IVFWCT181DB can store 18 standard wine bottles.
- Model IVFWCT241DB can store 24 standard wine bottles.

*Note: Bottles may differ in size and dimensions. The actual number of bottles you may be able to store may vary.*

## Operation

- When you first turn on the wine cellar, or restart it after an extended period of non-use, there could be a few degrees variance between the temperature you select and the one indicated on the LCD readout.  
This is normal and it is due to the length of the activation time. Once the wine cellar is allowed for a few hours normal operation will resume.
- Place the cellar in a dry, well-ventilated space with ambient temperature between 50° – 80°F (10° – 26°C).
- If the ambient temperature is above or below the recommended range, the unit's performance may be affected. Extreme cold or hot conditions may cause the interior temperature to fluctuate. This will then prevent the optimal interior temperature range from being reached. In addition, the temperature may fluctuate depending on whether the interior light is on or off, and whether the bottles are located on the upper, middle, or lower racks.

## Recommended Temperatures for Chilling Wine

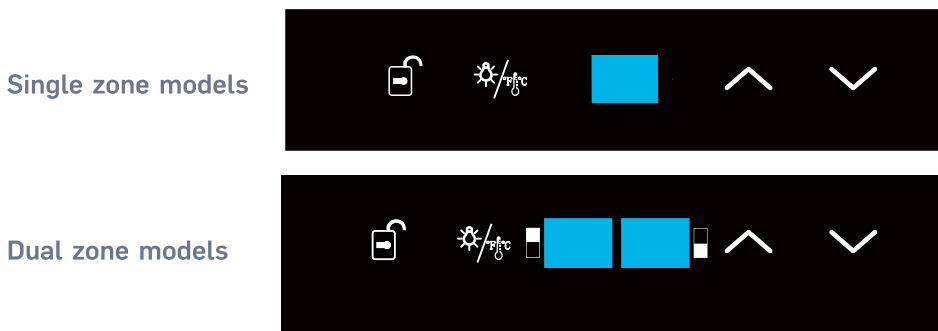
Red Wines	57° – 65°F	14° – 18°C
Dry/White Wines	49° – 58°F	9° – 14°C
Rose Wines	51° – 53°F	10° – 11°C

## Temperature Ranges for Your Wine Cellar

Model IVFWCT081HB/ IVFWCT081B	46° – 64°F	8° – 18°C
Model IVFWCT121B	50° – 64°F	10° – 18°C
Model IVFWCT181B	54° – 64°F	12° – 18°C
Model IVFWCT181DB/ IVFWCT241DB	46° – 64°F	8° – 18°C
	54° – 64°F	12° – 18°C

## Setting the Temperature Controls


### CONTROL PANEL



Your wine cellar is equipped with a control panel lock feature. The lock will automatically activate 20 seconds after the last button is pressed.

To unlock the control panel, long press button  for 2 seconds. You will hear a "BEEP" sound to alert you that the panel is unlocked.

For IVFWCT181DB and IVFWCT241DB dual zone, long press the button  to unlock and short press to select the upper zone or lower zone.

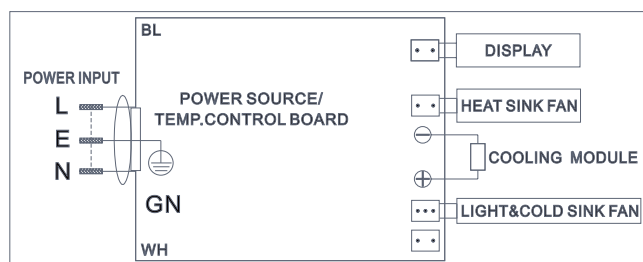
Set the temperature inside the wine cellar by pressing the  (increase) and  (decrease) buttons to adjust the temperature in 1° increments.

You can select the temperature to display in Fahrenheit or Celsius by long pressing the  button for 2 seconds.

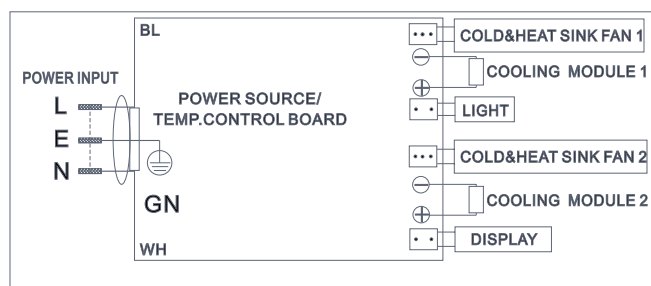
Turn the interior light on or off by short pressing the light bulb symbol button . The light will be turned off automatically if it remains on for 10 minutes. Press the button again to turn it back on.

## Electrical Diagram

Model IVFWCT081HB/IVFWCT081B IVFWCT121B IVFWCT181B



Model IVFWCT181DB IVFWCT241DB



## TROUBLESHOOTING GUIDE

PROBLEM	POSSIBLE CAUSES
The wine cooler will not operate	The unit may be plugged in using a different voltage. Also, the circuit breaker may have tripped or a fuse has blown.
The wine cooler is not cold enough.	Check the temperature control settings, as the external environment may be too hot. The door may be opened too frequently. The door is not closed completely. The door seal does not seal properly. The wine cooler does not have sufficient clearance.
The wine cooler vibrates while operating.	Make sure the unit is placed on a level, stable surface.
The wine cooler produces a lot of noise.	Make sure the unit is placed on a level, stable surface. Check the fan.
The wine cooler will not close properly.	Make sure the unit is placed on a level, stable surface. The doors are reversed and not properly installed. The seal has weakened.
The LED display does not work.	There may be a problem with the main control board. There may be a problem with the plug.
There is an LED display error.	There is a PCB problem.
The buttons do not function.	The temperature control panel may be damaged.
Frost or ice developed inside the wine cooler.	Ambient temperature too low. The wine cooler needed to be restarted.

## Specifications

	<b>IVFWCT081HB</b>	<b>IVFWCT081B</b>	<b>IVFWCT121B</b>
Power supply:	115V/60Hz	115V/60Hz	115V/60Hz
Rated power:	65W	65W	65W
Capacity:	25 Liters / 8 Bottles	25 Liters / 8 Bottles	35 Liters / 12 Bottles
Temperature range:	46° – 64°F (8° – 18°C)	46° – 64°F (8° – 18°C)	50° – 64°F (10° – 18°C)
Dimensions:	16.14" x 19.49" x 10.63" (41 x 49.5 x 27cm)	9.9" x 19.7" x 17.7" (25.2 x 50 x 45cm)	9.9" x 19.7" x 25" (25.2 x 50 x 63.5cm)
Weight:	19.18lbs. (8.7kg)	19.6 lbs. (8.9kg)	26.8 lbs. (12.14kg)

	<b>IVFWCT121B</b>	<b>IVFWCT181B</b>
Power supply:	115V/60Hz	115V/60Hz
Rated power:	65W	65W
Capacity:	35 Liters / 12 Bottles	43 Liters / 18 Bottles
Temperature range:	50° – 64°F (10° – 18°C)	54° – 64°F (12° – 18°C)
Dimensions:	9.9" x 19.7" x 25" (25.2 x 50 x 63.5cm)	13.5" x 20" x 25.4" (34.5 x 50.8 x 64.5cm)
Weight:	26.8 lbs. (12.14kg)	32 lbs. (14.5kg)

	<b>IVFWCT181DB</b>	<b>IVFWCT241DB</b>
Power supply:	115V/60Hz	115V/60Hz
Rated power:	140W	140W
Capacity:	43 Liters / 18 Bottles	69 Liters / 24 Bottles
Temperature range: (Upper zone) (Lower zone)	46° – 64°F (8° – 18°C) 54° – 64°F (12° – 18°C)	46° – 64°F (8° – 18°C) 54° – 64°F (12° – 18°C)
Dimensions:	13.5" x 20" x 25.4" (34.5 x 50.8 x 4.5cm)	16.9" x 20.5" x 29.1" (43 x 52 x 74cm)
Weight:	36.4 lbs. (16.5kg)	42.9 lbs. (19.5kg)

### Customer Service:

info@myivation.com  
866-849-3049

info@myivation.com

Made in China  
Ivation is a trademark of  
C&A IP Holdings, LLC  
©2016 All rights reserved

Distributed by  
C&A Marketing  
114 Tived Lane East  
Edison, NJ 08837 USA

Europe: C&A Marketing UK LTD  
167 Hermitage Road  
Crusader Industrial Estate  
London N4 1LZ  
United Kingdom