

Features

- Provides a stable point of contact in the shower.
- 300lbs of support with a beautiful aesthetic.

Installation

- Mounting brackets slide along length of bar to ease installation.

Components

Additional included component/s: bracket, screw, end caps, and plugs.



Codes/Standards

ASTM F446

KOHLER® Limited Warranty – Choreograph™ Walls and Accessories

See website for detailed warranty information.

Available Color/Finishes

Color tiles intended for reference only.

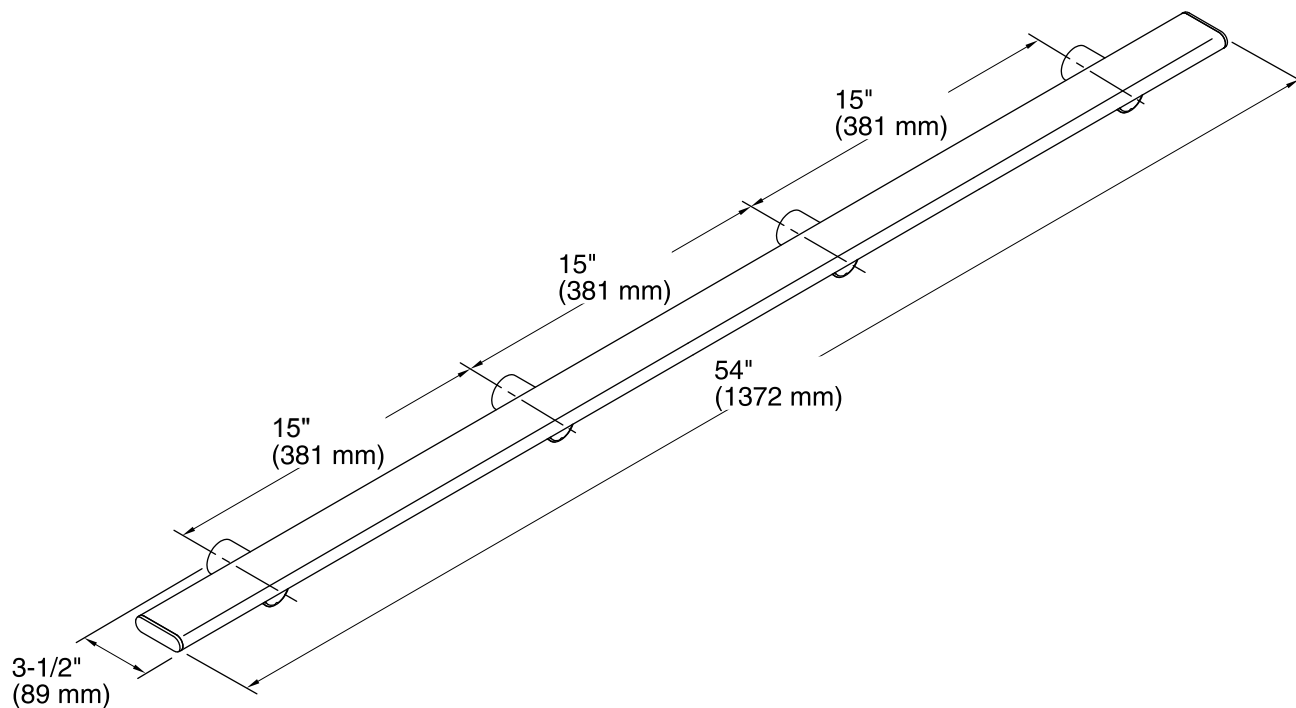
| Color | Code | Description |
|-------|------|-------------|
|-------|------|-------------|



| | |
|-----|------------------------|
| SHP | Bright Polished Silver |
|-----|------------------------|



| | |
|-----|-------------------------|
| BNK | Anodized Brushed Nickel |
|-----|-------------------------|



Technical Information

All product dimensions are nominal.

Notes

Install this product according to the installation guide.

Requires 2x4 backing to be installed.