

**For Residential and Commercial Applications**

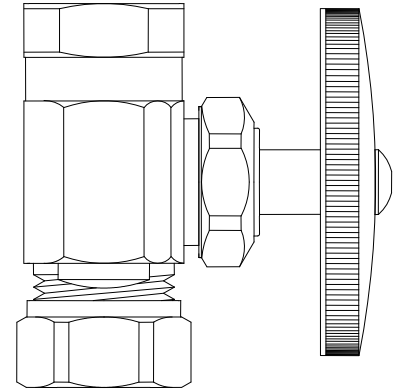
|                |  |                      |  |
|----------------|--|----------------------|--|
| Job Name       |  | Engineer / Architect |  |
| Job Location   |  | Wholesaler           |  |
| Submittal Date |  | Contractor           |  |

## O3305 Multi-Turn Straight Stop - Female Iron Pipe x Slip-Joint

**Use:** For use in potable water distribution systems. Not intended for recirculating water systems that produce continuous use temperatures above 115° F. For those applications, use BrassCraft KT series ball stops

**Design Features:**

- **Machined one-piece brass body** provides strength, durability and long-lasting performance
- **Oval knurled handle** provides a secure grip and smooth on/off operation
- **100% leak tested**
- **Compliant Multi-turn Stops** available for California and Vermont “low-lead” requirements



**Operating Specifications:**

**Temperature:** 40°- 140° F  
**Pressure:** 125 PSI maximum

**Standard**

| MATERIAL SPECIFICATIONS          |                        |
|----------------------------------|------------------------|
| <b>Valve Body</b>                | C36000 brass           |
| <b>Stem</b>                      | POM                    |
| <b>Bib &amp; Packing Washers</b> | Nitrile or EPDM rubber |
| <b>Packing Nut</b>               | C36000 brass           |
| <b>Handle</b>                    | ABS, chrome plated     |
| <b>Handle Screw</b>              | Zinc-plated Steel      |
| <b>Slip-Joint Washer</b>         | NBR rubber             |
| <b>Slip-Joint Nut</b>            | C36000 brass           |
| <b>Friction Rings</b>            | C27200 brass           |

**Compliant**

| MATERIAL SPECIFICATIONS          |                        |
|----------------------------------|------------------------|
| <b>Valve Body</b>                | Compliant brass        |
| <b>Stem</b>                      | POM                    |
| <b>Bib &amp; Packing Washers</b> | Nitrile or EPDM rubber |
| <b>Packing Nut</b>               | C36000 brass           |
| <b>Handle</b>                    | Zinc die cast          |
| <b>Handle Screw</b>              | Zinc-plated Steel      |
| <b>Slip-Joint Washer</b>         | NBR rubber             |
| <b>Slip-Joint Nut</b>            | C36000 brass           |
| <b>Friction Rings</b>            | C27200 brass           |

**Standard Part Listing:**

- O3305 C 1/2" F.I.P. x 7/16" & 1/2" Slip-Joint, chrome plated
- O3305 C1 1/2" F.I.P. x 7/16" & 1/2" Slip-Joint, chrome plated, window tray
- O3305 R 1/2" F.I.P. x 7/16" & 1/2" Slip-Joint, rough brass
- O3305 R1 1/2" F.I.P. x 7/16" & 1/2" Slip-Joint, rough brass, window tray

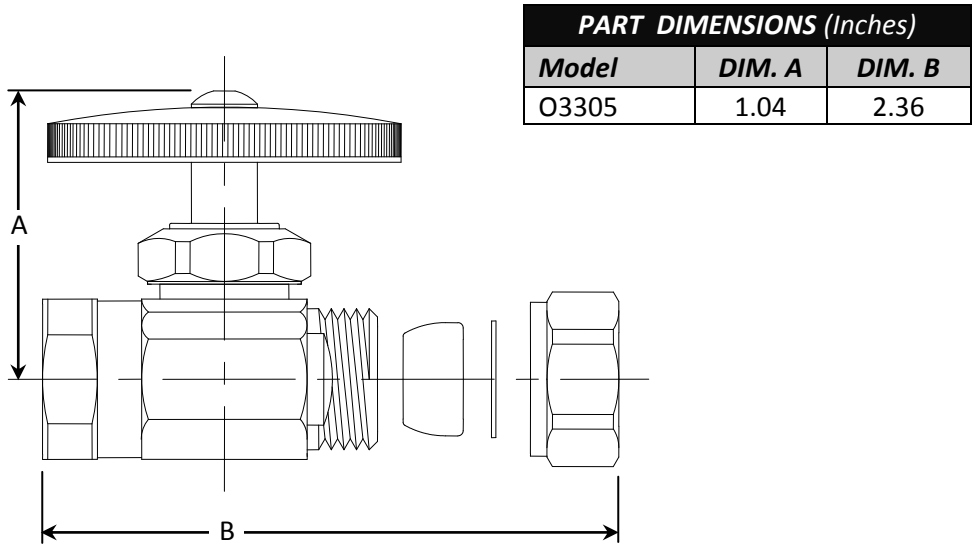
**Compliant Part Listing:**

- O3305X C 1/2" F.I.P. x 7/16" & 1/2" Slip-Joint, chrome plated
- O3305X CD 1/2" F.I.P. x 7/16" & 1/2" Slip-Joint, chrome plated, carded
- O3305X C1 1/2" F.I.P. x 7/16" & 1/2" Slip-Joint, chrome plated, window tray

*This specification and all information contained herein is the confidential and exclusive property of BrassCraft Manufacturing, and shall not be disclosed to others without the written consent of BrassCraft. This specification must be returned to BrassCraft if requested.*



# O3305 Multi-Turn Straight Stop - Female Iron Pipe x Slip-Joint



**Listings & Certifications:**

- IAPMO listed to ASME A112.18.1-05 / CSA B125.1-05 (File # 0645)
- CSA listed to ASME A112.18.1-05 / CSA B125.1-05 (File # 204593)
- Compliant product CSA approved to California Health & Safety Code 116875 and Vermont Bill S.152 (Project # 2174785)



*This specification and all information contained herein is the confidential and exclusive property of BrassCraft Manufacturing, and shall not be disclosed to others without the written consent of BrassCraft. This specification must be returned to BrassCraft if requested.*

**BrassCraft®**