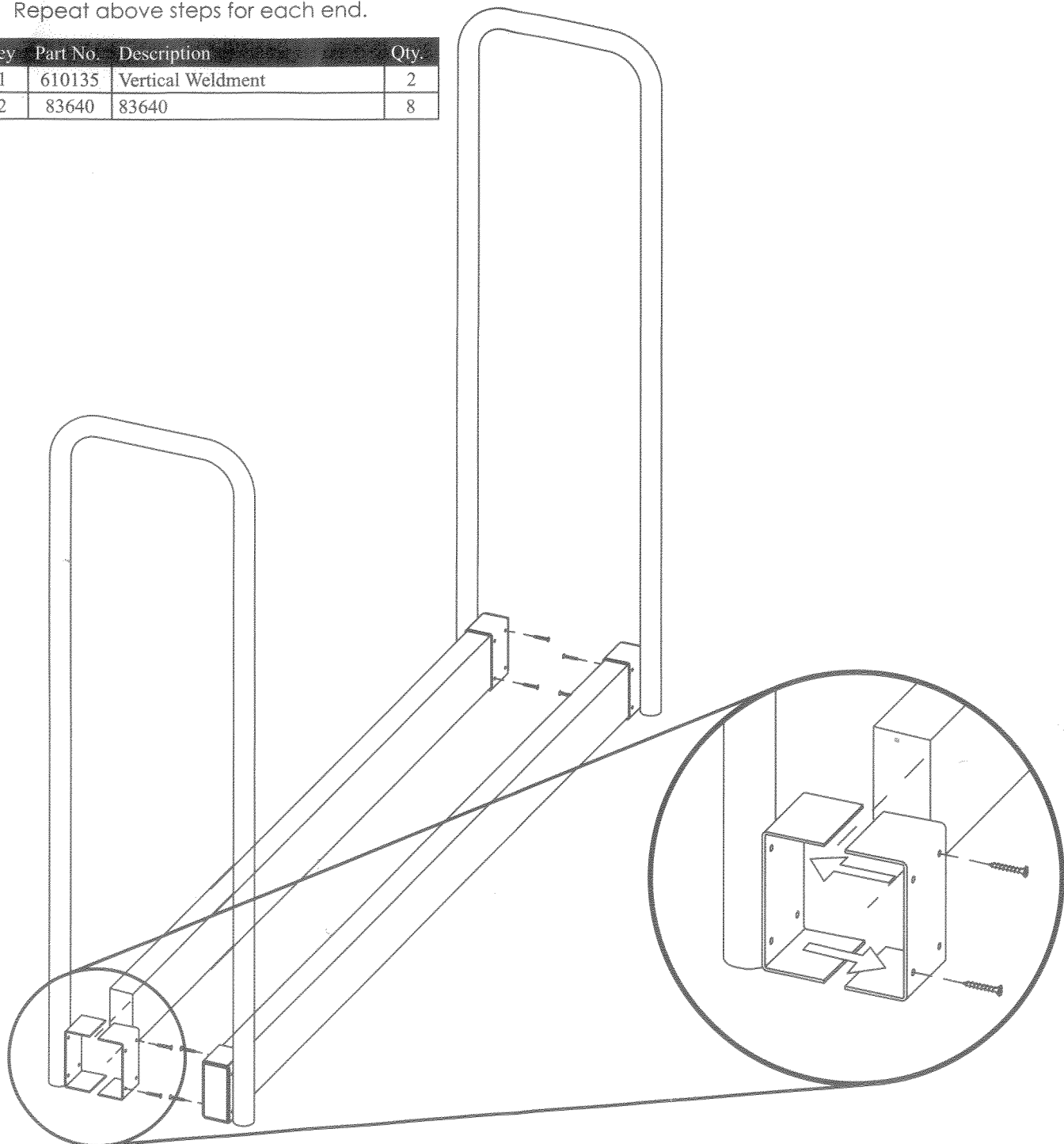


HCLRA ASSEMBLY INSTRUCTIONS

1. Cut your two 2X4 boards to preferred length.
2. Slide one end of the 2X4 into the "C" shaped bracket connected to the bottom of the vertical weldment (1) as shown in the figure below.
3. Put the other side of the bracket onto the 2X4 as shown below.
4. Secure the 2x4 to the vertical weldment (1) with two of the screws (2) provided. It is recommended to position the screws in diagonal holes for reinforcement purposes.
5. Repeat above steps for each end.

Key	Part No.	Description	Qty.
1	610135	Vertical Weldment	2
2	83640	83640	8



In order to maintain warranty, components must be replaced using original manufacturers parts purchased through your dealer or directly from the appliance manufacturer. Use of third party components will void the warranty.