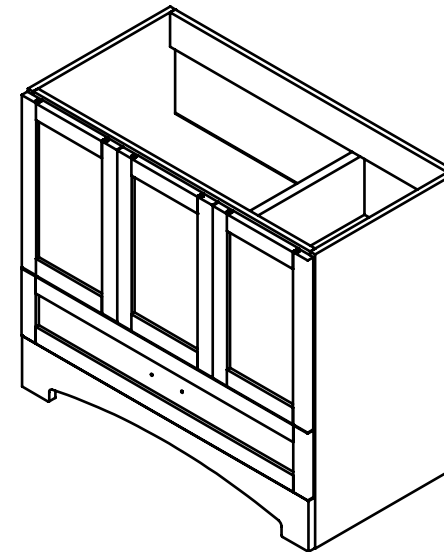
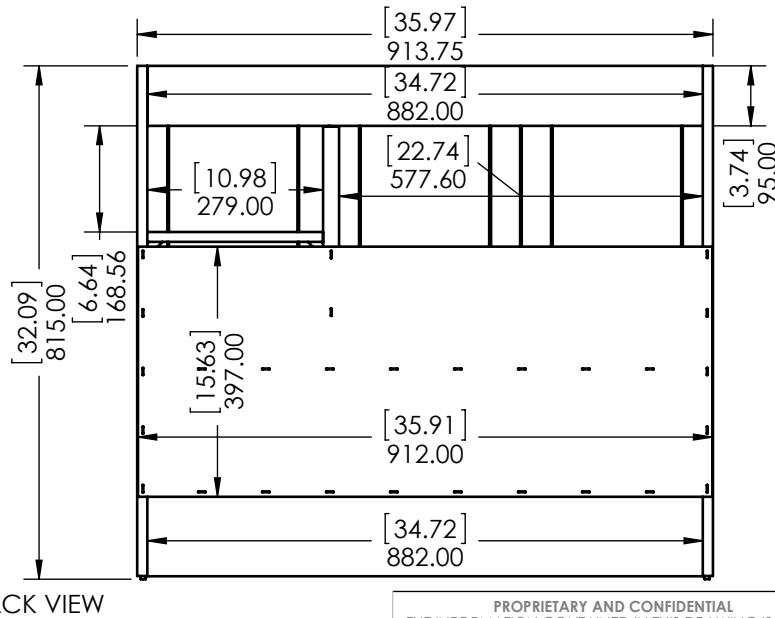
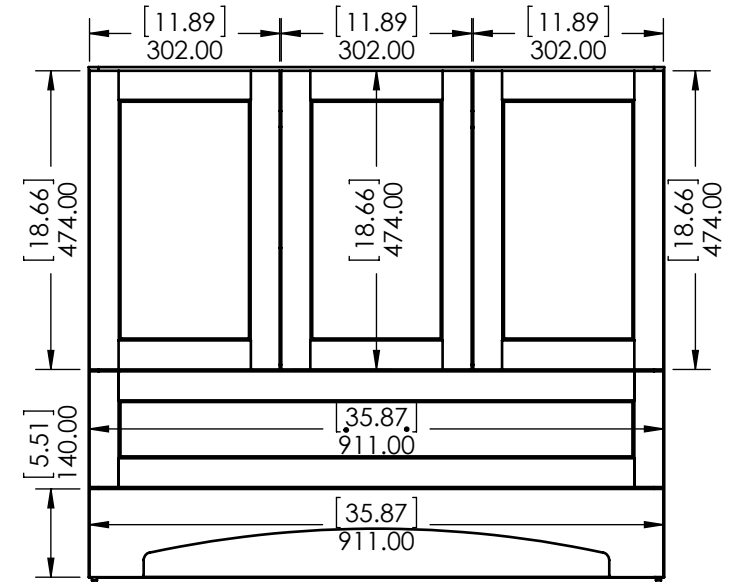
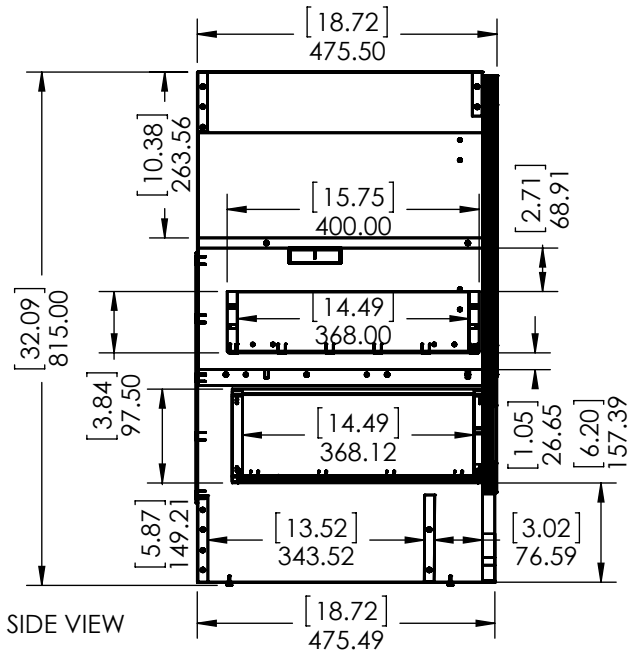


ITEM ID	DESCRIPTION
LC36P2-PG	Lancaster 36in Vanity w/VTop - Pearl Gray

REV	ECO#	DESCRIPTION	REV'D BY DATE	CHK'D BY DATE	APRVD BY DATE
0		New Release	IASV 7/5/18	IASV 7/5/18	IASV 7/5/18



BACK VIEW

UNLESS OTHERWISE SPECIFIED

DIMENSIONS ARE IN mm and [inches] AND TOLERANCES ARE +/- 1.0 [0.04]

DRAWN BY:	IASV	7/5/18
CHECKED BY:	IASV	7/5/18
APPROVED BY:	IASV	7/5/18
DO NOT SCALE DRAWING	SCALE: 1:10	SIZE: A

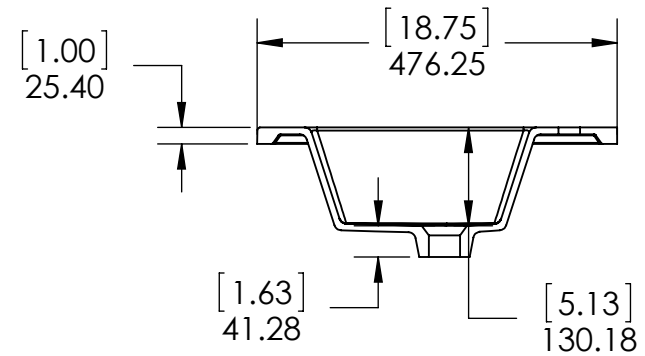
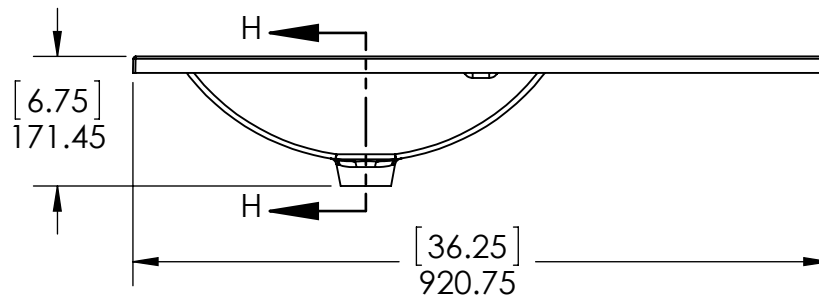
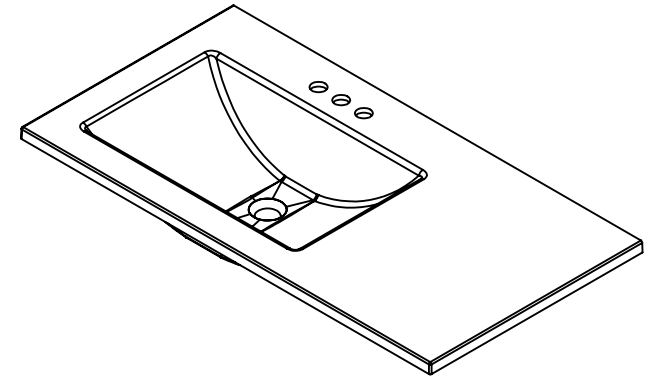
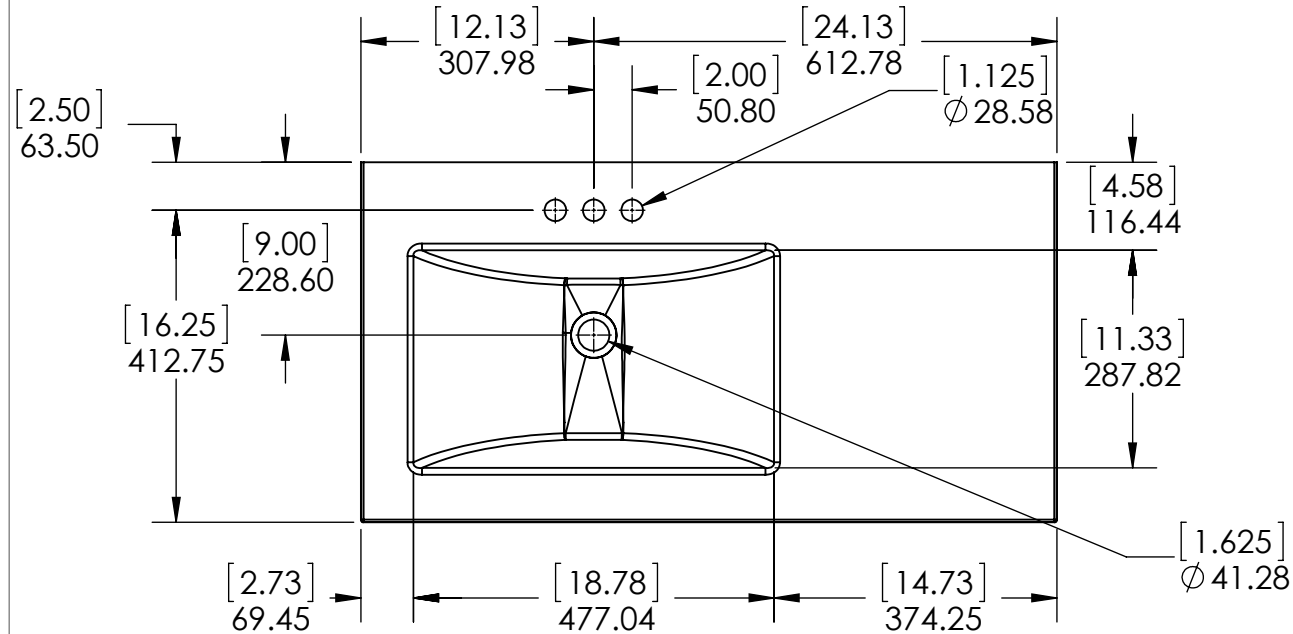
TITLE:	LANCASTER 36" PEARL GREY ASSEMBLY	
PART NO:	PAGE 1 OF 1	REV: 0



PROPRIETARY AND CONFIDENTIAL
THE INFORMATION CONTAINED IN THIS DRAWING IS THE SOLE PROPERTY OF WOODCRAFTERS HOME PRODUCTS L.L.C. ANY REPRODUCTION IN PART OR AS A WHOLE WITHOUT THE WRITTEN PERMISSION OF WOODCRAFTERS HOME PRODUCTS L.L.C. IS PROHIBITED.

ID	Description	Technology	Status
595202	Top, Alpine 36.25x18.75in (New Packaging)	AB Composite	Approved for production

Rev #	Approved by	Change
0	R. Rubio	Released



PROPRIETARY AND CONFIDENTIAL
 THE INFORMATION CONTAINED IN THIS DRAWING IS THE
 SOLE PROPERTY OF WOODCRAFTERS. ANY
 REPRODUCTION IN PART OR AS A WHOLE WITHOUT THE
 WRITTEN PERMISSION OF WOODCRAFTERS IS PROHIBITED.

UNLESS OTHERWISE SPECIFIED
 DIMENSIONS ARE IN MM.
 AND (INCHES)
 TOLERANCES ARE
 +0.125 [3.175] -0.125 [-3.175]
 SCALE:1:10

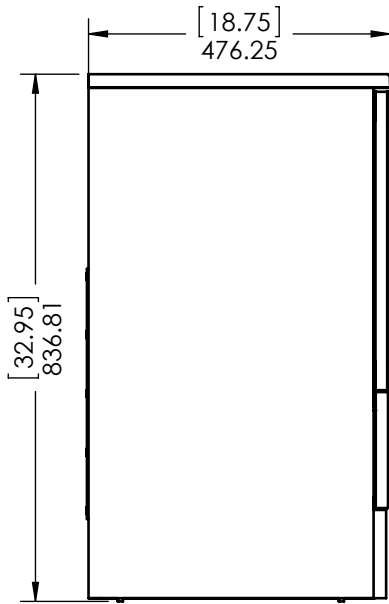
	NAME	DATE
DRAWN	J. Martinez	07/15/16
CHECKED	E. Sandoval	07/15/16
ENG APPR.	R. Rubio	07/15/16
MFG APPR.	C. Leal	07/15/16

Wood Crafters

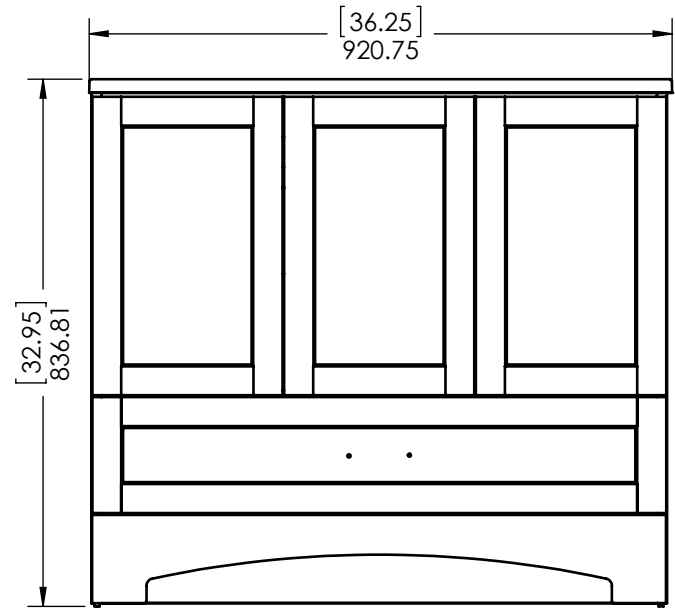
SIZE DWG. NO. SHEET 1 OF 1
 A Top, Alpine 36.25x18.75in (New Packaging) REV: 0

ITEM ID	DESCRIPTION
LC36P2-PG	Lancaster 36in Vanity w/VTop - Pearl Gray

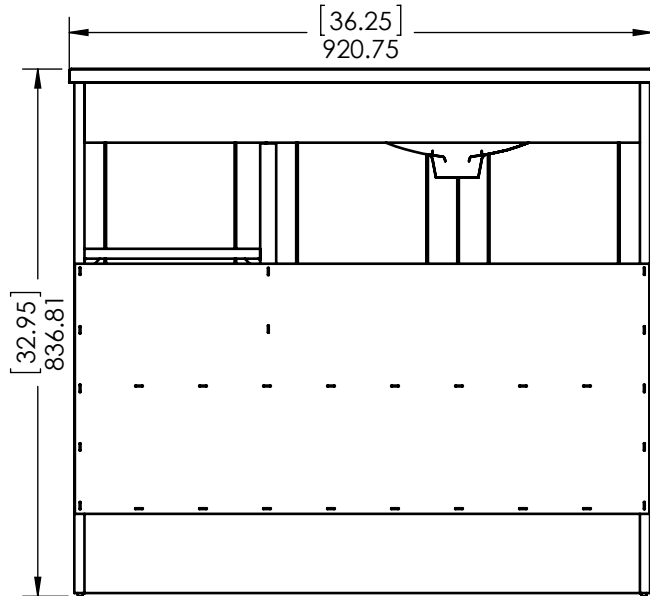
REV	ECO#	DESCRIPTION	REV'D BY DATE	CHK'D BY DATE	APRV'D BY DATE
0		New Release	IASV 7/5/18	IASV 7/5/18	IASV 7/5/18



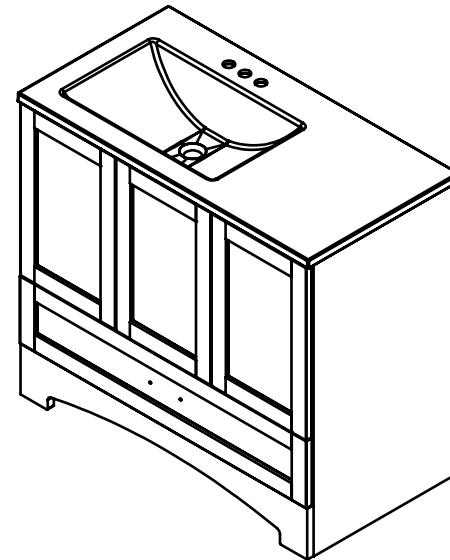
SIDE VIEW



FRONT VIEW



BACK VIEW



ISOMETRIC VIEW



PROPRIETARY AND CONFIDENTIAL
 THE INFORMATION CONTAINED IN THIS DRAWING IS THE SOLE PROPERTY OF WOODCRAFTERS HOME PRODUCTS L.L.C. ANY REPRODUCTION IN PART OR AS A WHOLE WITHOUT THE WRITTEN PERMISSION OF WOODCRAFTERS HOME PRODUCTS L.L.C. IS PROHIBITED.

UNLESS OTHERWISE SPECIFIED
 DIMENSIONS ARE IN mm and [inches]
 AND TOLERANCES ARE +/- 1.0 [0.04]

DRAWN BY:	IASV	7/5/18
CHECKED BY:	IASV	7/5/18
APPROVED BY:	IASV	7/5/18
DO NOT SCALE DRAWING	SCALE: 1:10	SIZE: A

TITLE:	LANCASTER 36" PEARL GREY ASSEMBLY	
PART NO:	PAGE 1 OF 1	REV: 0