

BIRMINGHAM

DESIGNER COLLECTION

H | S

- HydroOzone sanitation system
- Requires 20 Amp Dedicated GFCI
- 1 HP heated blower



Designed with an elongated bathing well and deck, the Birmingham is an ideal choice. The striking tub provides a welcome respite for one or two. Visit <http://www.hydrosystem.com> for more details on our options and accessories.

BIRMINGHAM

DESIGNER COLLECTION

H | S

As SHOWN:

Tub only

FEATURES SHOWN:

- Acrylic Tub

ALSO AVAILABLE:

- Soaking tub only
- Thermal Air

Size:

72.40.27

WATER CAPACITY:

91 Gallons

WEIGHT:

110 -120 Pounds

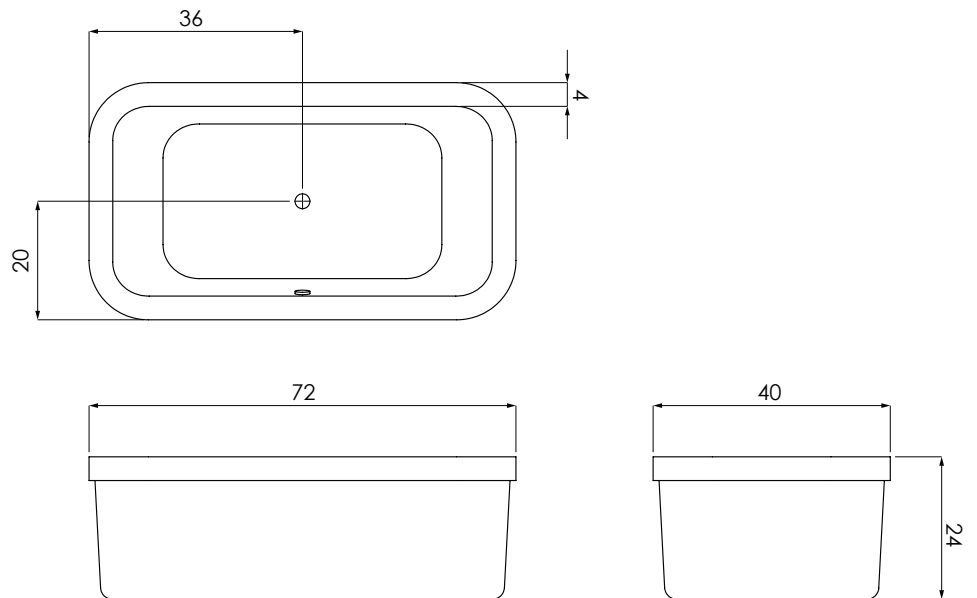
MODEL 7240 DIMENSIONS:

- (L)ength- 72"
- (W)idth- 40"
- (H)eight Finish- 27"



ACRYLIC TUB

- Acrylic models finished in 1/8" thick layer of deep lustrous acrylic
- Extra thick reinforced fiberglass
- Integral E-Z level platform facilitates installation
- Integral waste & overflow



CODES AND COMPLIANCES

Massachusetts code File no: P1-0614-491



HYDRO SYSTEMS
Family Owned And Operated Since 1978

29132 Avenue Paine. Valencia, CA, 91355
661.775.0686 | hydrosystem.com

All specifications and options subject to change without notice please contact a Hydro Systems representative for more information. Certain options or altering the pump/blower location may cause the pump/blower to extend beyond the tub decking. For cutout dimensions wait for unit to arrive. All specifications subject to change without notice.