

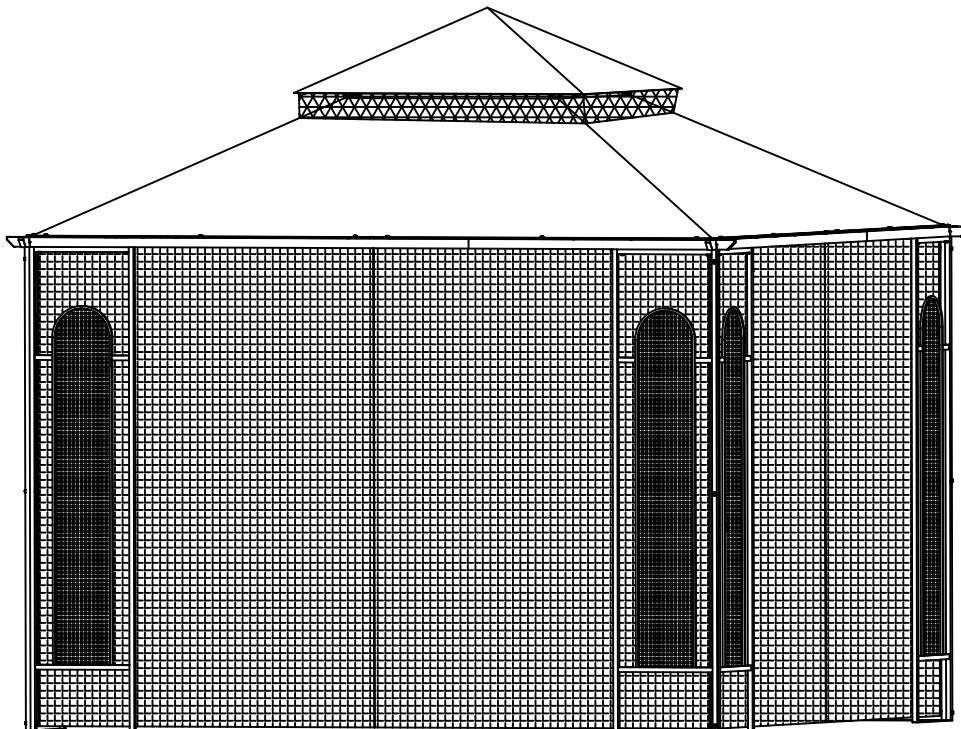


Item #589 776  
Model #GFS00470C

# USE AND CARE GUIDE

---

## CHRISTY GAZEBO



Questions, problems, missing parts? Before returning to the store,  
call Hampton Bay Customer Service.  
8 a.m. - 7 p.m., EST, Monday - Friday, 9 a.m. - 6 p.m., EST, Saturday

**1-855-HD-HAMPTON**

**HAMPTONBAY.COM**

---

### THANK YOU

*We appreciate the trust and confidence you have placed in Hampton Bay through the purchase of this gazebo. We strive to continually create quality products designed to enhance your home. Visit us online to see our full line of products available for your home improvement needs. Thank you for choosing Hampton Bay!*

# Table of Contents

Table of Contents.....	2	Pre-Assembly .....	3
Warranty.....	2	Planning Assembly .....	3
What is Covered.....	2	Hardware Included.....	3
What is Not Covered .....	2	Package Contents .....	4
Safety Information.....	2	Assembly .....	5
		Care and Cleaning .....	18

# Warranty

## 1 YEAR FRAME AND FABRIC WARRANTY

### WHAT IS COVERED


We warrant the frame and fabric to be free of manufacturing defects to the original purchaser for one year.


### WHAT IS NOT COVERED


It remains the customer’s responsibility for freight and packaging charges to and from our service center. This warranty does not cover commercial use, hardware, acts of nature, fire, freezing and abusive use. In addition, purchased parts are not covered under this warranty. We reserve the right to make substitutions with similar merchandise, if the model in question is no longer in production.


Contact the Customer Service Team at 1-855-HD-HAMPTON or visit [www.HamptonBay.com](http://www.HamptonBay.com)


# Safety Information

 **WARNING:** Keep all flame and heat sources away from this gazebo fabric.


 **WARNING:** The application of any foreign substance to the gazebo fabric may render the flame-resistant properties ineffective.


 **WARNING:** This gazebo is made with fabric that meets CPAI - 84 specifications for flame resistance. It is not fire proof. The fabric will burn if left in continuous contact with any flame source.

 **CAUTION:** This gazebo is made for the explicit purpose of providing limited outdoor sunshade and is not to be used as a toy, shelter, or tent.

 **CAUTION:** Do not locate the gazebo near any open flame.

 **CAUTION:** Do not use the gazebo as a support.

 **CAUTION:** Do not shake, lean, or climb on the gazebo.

 **CAUTION:** Children under the age of 10 who are near the gazebo should be supervised by a competent adult at all times.

# Pre-Assembly

## PLANNING ASSEMBLY

Read all instructions before assembly.

To avoid damaging this product, assemble it on a soft, non-abrasive surface such as carpet or cardboard.

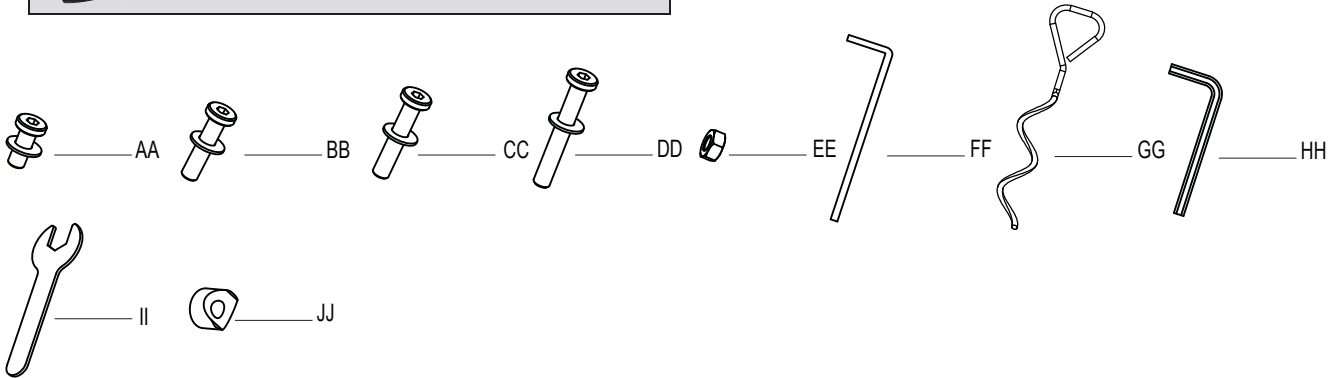


**NOTE:** More than one person may be required to assemble this product.

## HARDWARE INCLUDED



**NOTE:** Hardware not shown to actual size.

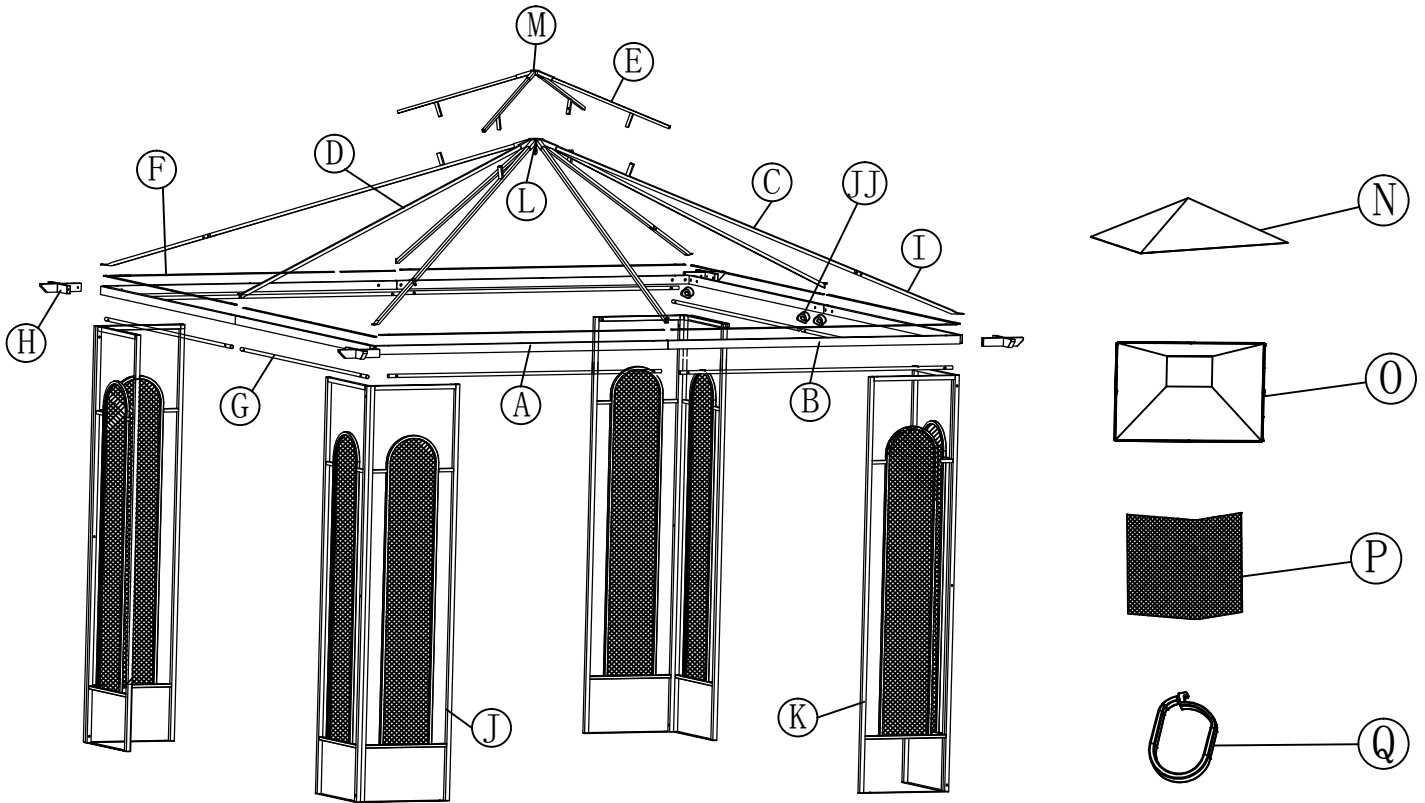


Part	Description	Quantity
AA	M6X15 Bolt and washer	44+1
BB	M6X32 Bolt and washer	16+1
CC	M6X40 Bolt and washer	16+1
DD	M6X48 Bolt and washer	12+1
EE	M6 Nut	12+1

Part	Description	Quantity
FF	Ground spike	8+1
GG	Ground spike	8+1
HH	Hex wrench	2
II	Wrench	1
JJ	M6 Plastic washer	16+1

# Pre-Assembly (continued)

## PACKAGE CONTENTS

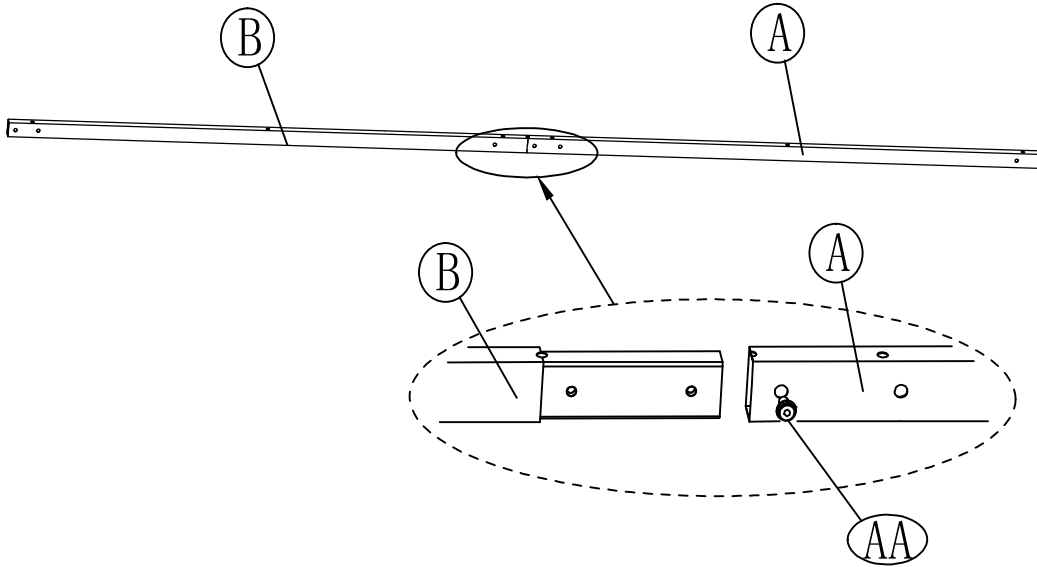


Part	Description	Quantity
A	Short top cross bar	4
B	Long top cross bar	4
C	Lower long canopy spoke	4
D	Canopy frame	4
E	Upper canopy spoke	4
F	Flat tube	8
G	Fabric hanger	8
H	Corner fitting	4
I	Lower short canopy spoke	4
J	Side panel J	4
K	Side panel K	4
L	Lower canopy hub	1
M	Upper canopy hub	1
N	Small fabric cover	1
O	Large fabric cover	1
P	Netting	4
Q	Plastic ring	40

# Assembly

## 1 Assembling the top cross bar

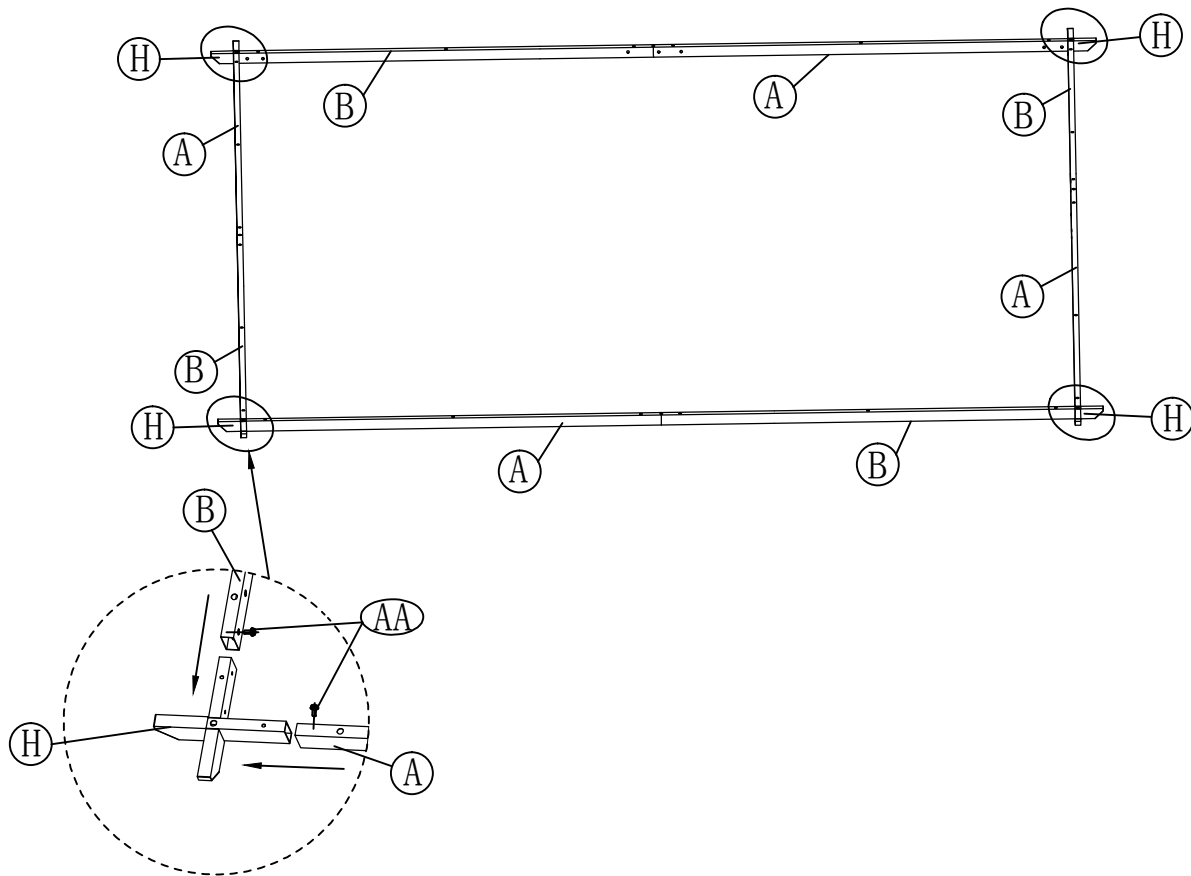
- Attach the short top cross bar (A) to the long top cross bar (B) using M6x15 bolts and washers (AA).
- Repeat for second short top cross bar (A) and long top cross bar (B).



# Assembly (continued)

## 2 Attaching the corner fitting to the top cross bar

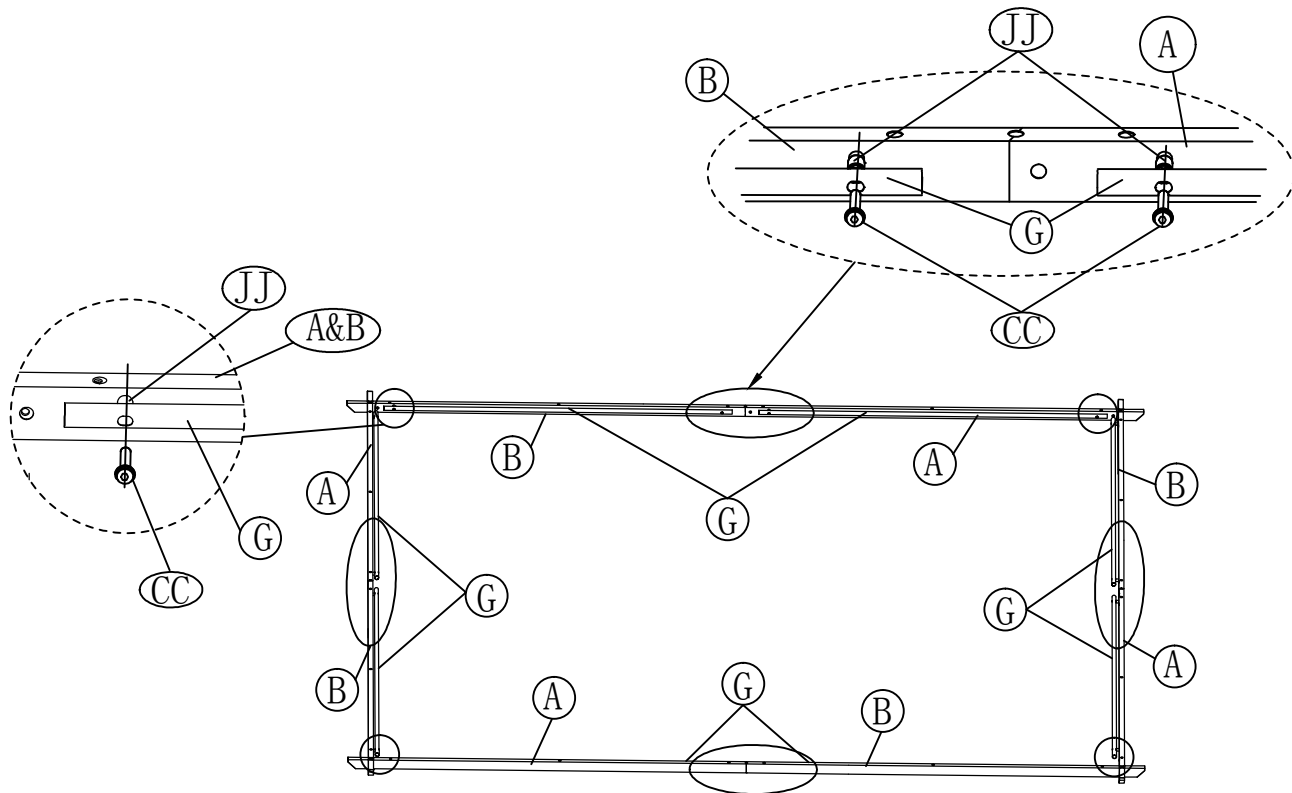
- Insert the corner fitting (H) into top cross bars (A and B).



## Assembly (continued)

### 3 Attaching the fabric hangers

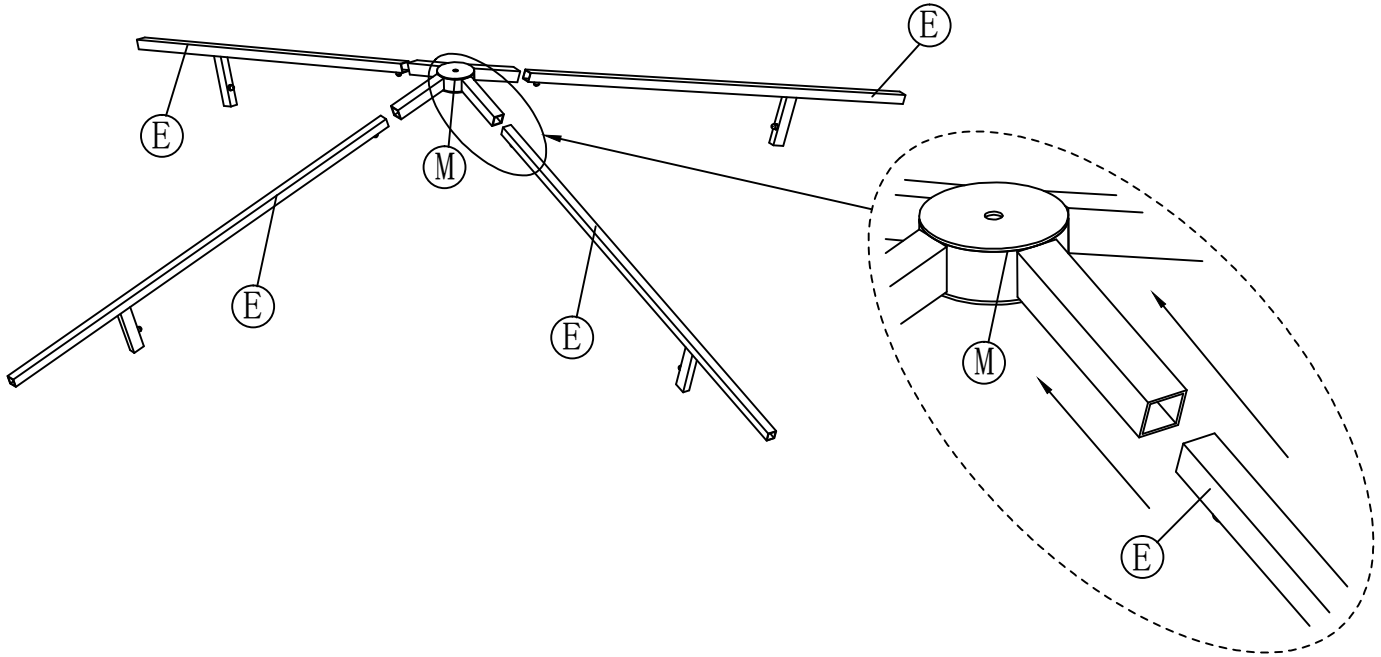
- Attach the fabric hangers (G) to the top cross bars (A and B) using M6x40 bolts and washers (CC) with M6 plastic washers (JJ).



## Assembly (continued)

### 4 Assembling the upper canopy

- Insert the four upper canopy spokes (E) into the upper canopy hub (M).

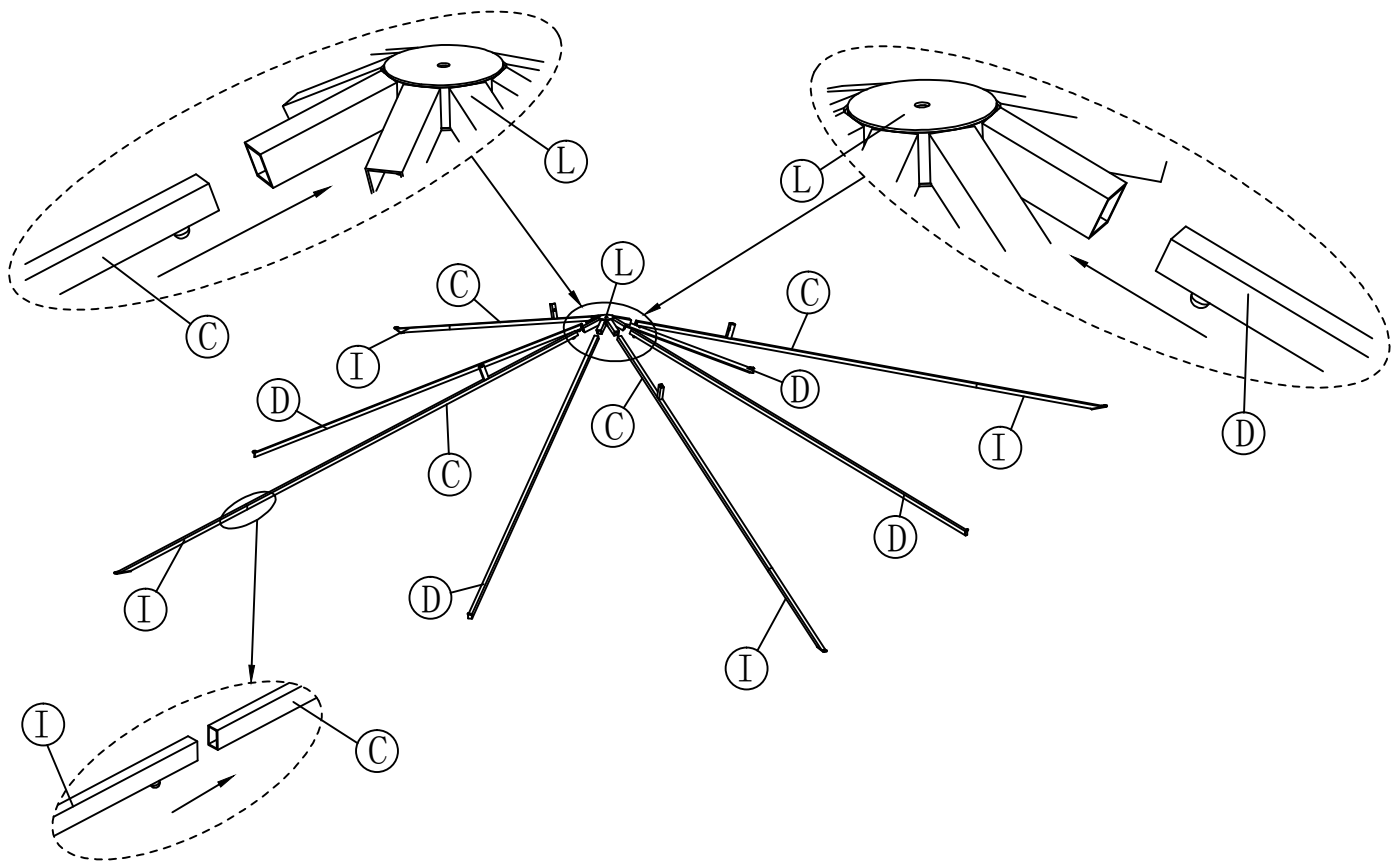




## Assembly (continued)

### 5 Assembling the lower canopy

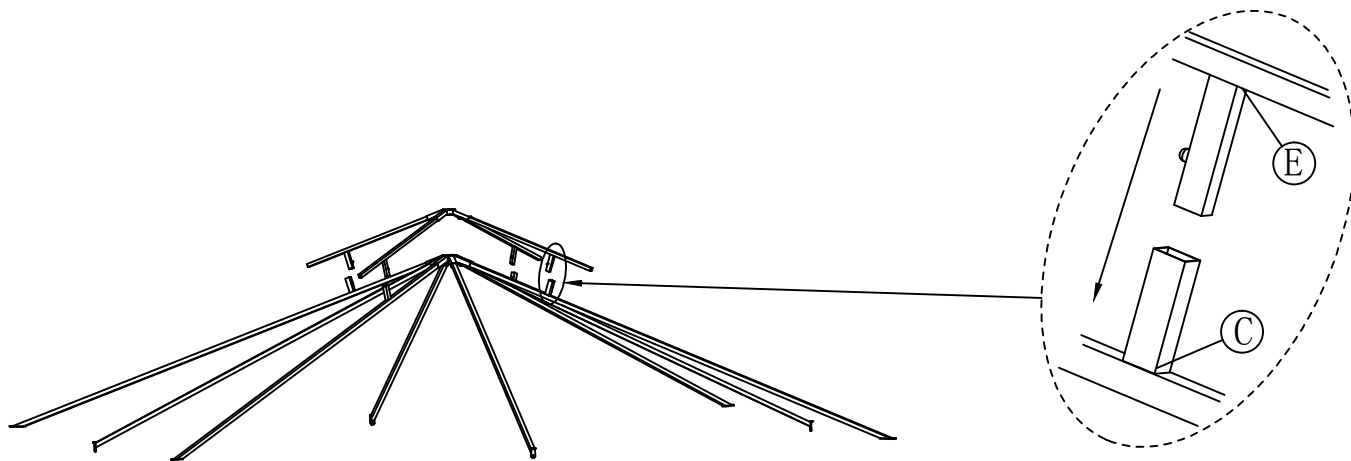
- Insert the four lower long canopy spokes (C) into the four long tubes of the lower canopy hub (L).
- Insert the four canopy frames (D) into the four short tubes of the lower canopy hub (L).
- Insert the four lower short canopy spokes (I) into the four long tubes of the lower long canopy spokes (C).
- Make sure all push pins are in place.



## Assembly (continued)

### 6 Attaching the upper canopy to the lower canopy

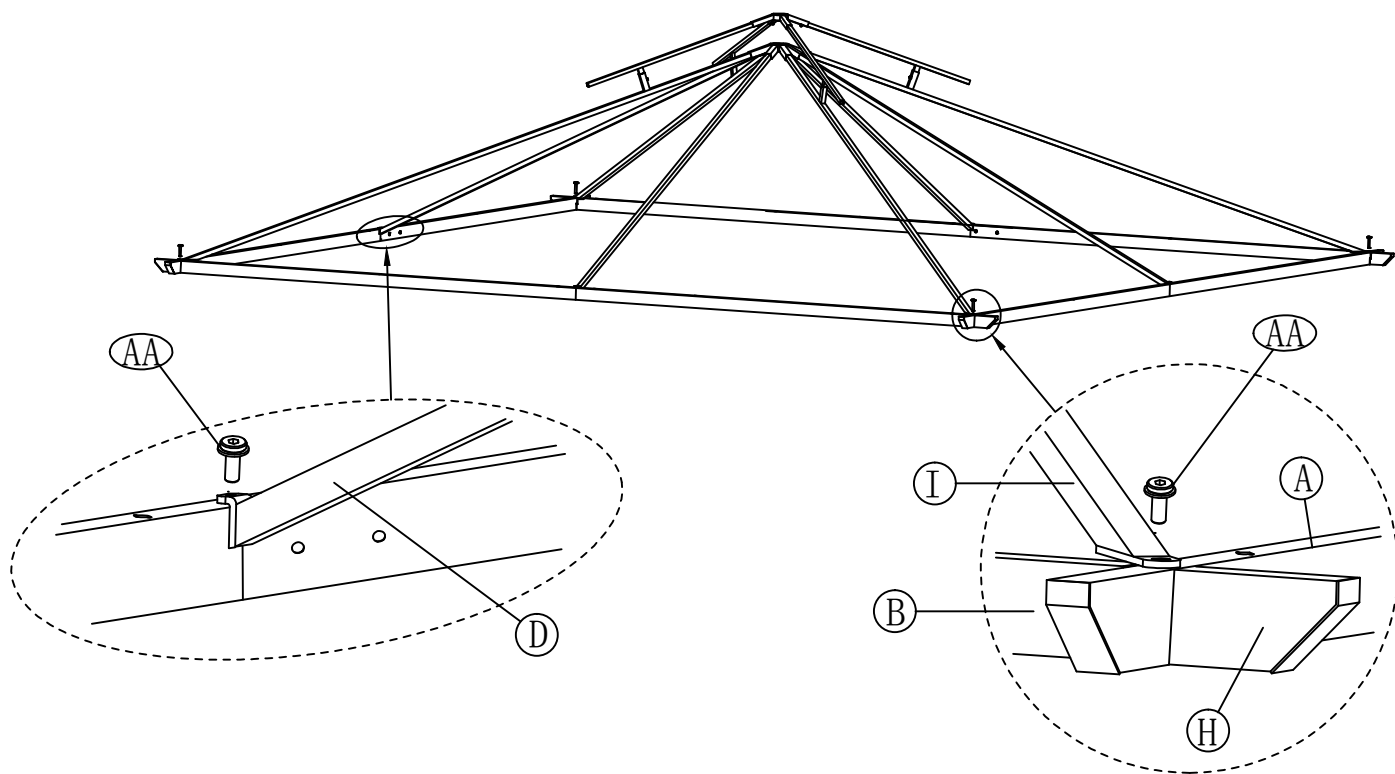
- Insert the upper canopy spokes (E) into the lower long canopy spokes (C).



## Assembly (continued)

### 7 Attaching the canopy frame to the top cross bars

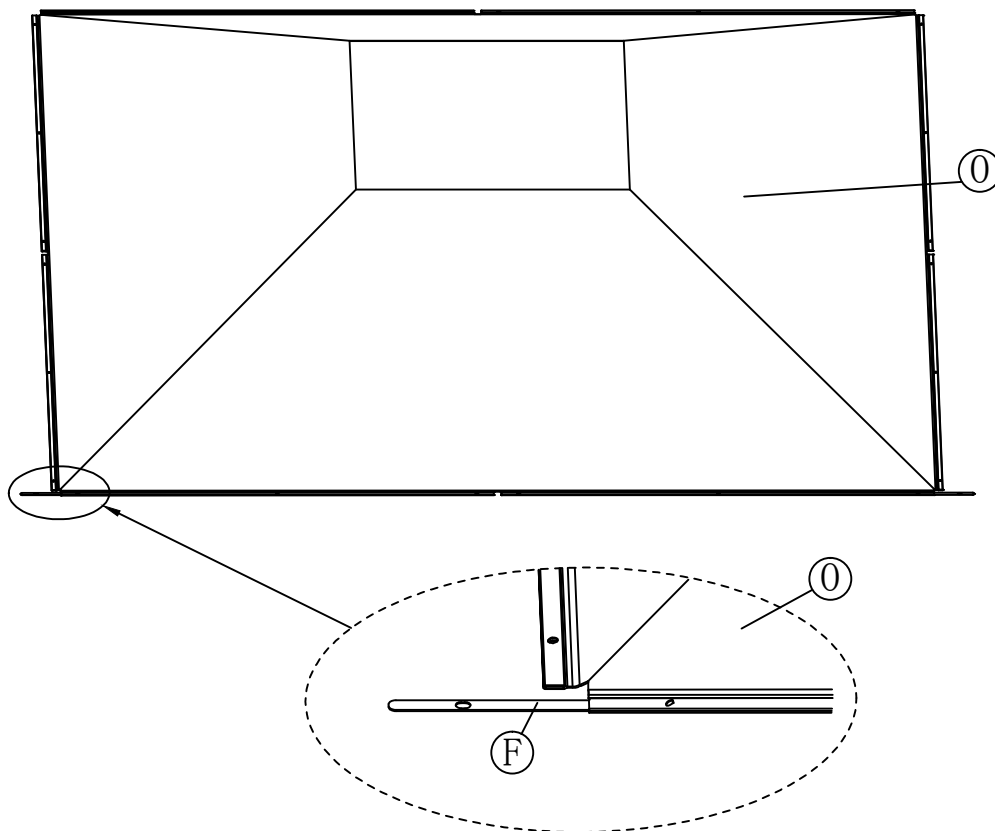
- Attach the canopy frame (D) to the top cross bars (A&B) using M6x15 bolts and washers (AA).
- Repeat for the remaining canopy frames (D).
- Attach the lower short canopy spoke (I) to the top cross bar (A&B) and corner fitting (H) using M6x15 bolts and washers(AA).
- Repeat for the remaining lower short canopy spokes (I).



## Assembly (continued)

### 8 Inserting the flat tubes into the fabric cover

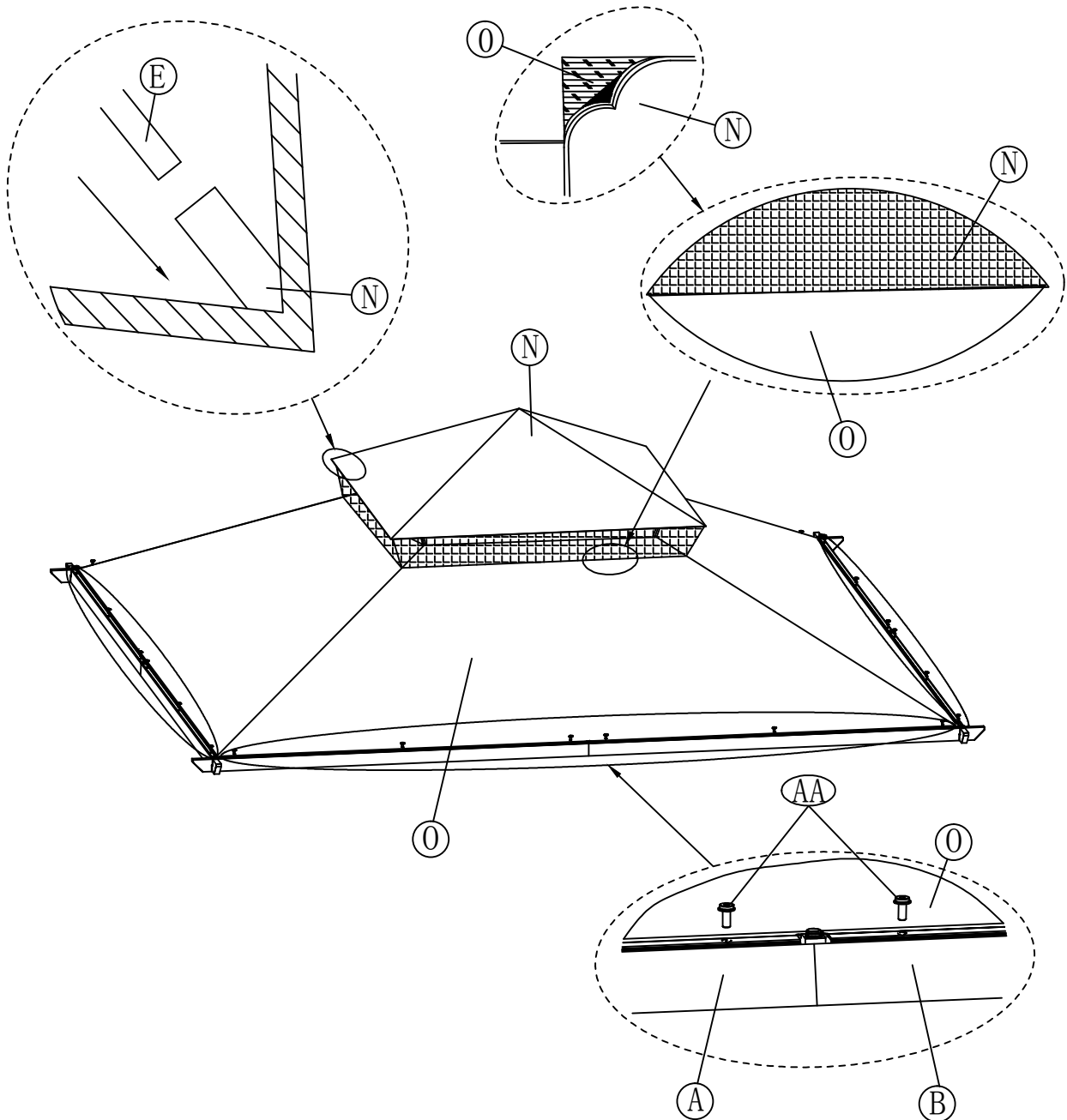
- Insert the flat tubes (F) into the large fabric cover (O).



# Assembly (continued)

## 9 Attaching the fabric cover

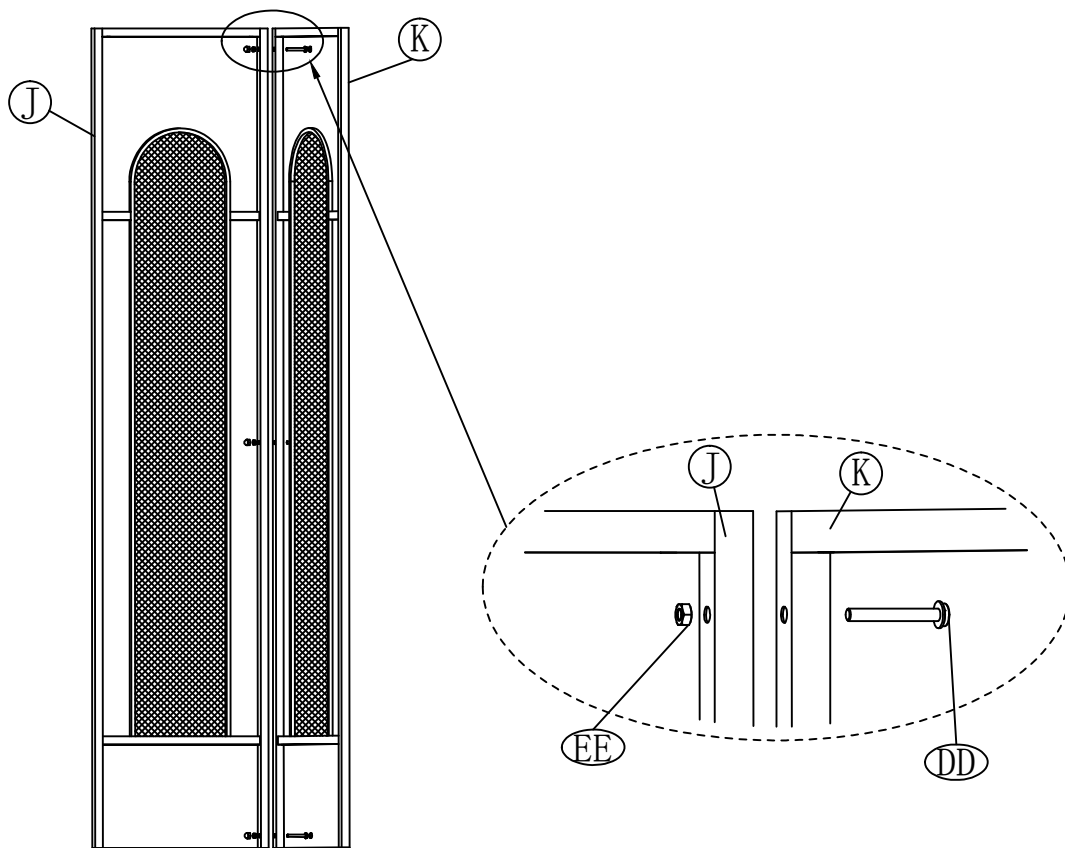
- Insert the upper canopy spoke (E) into the small fabric cover (N).
- Attach the large fabric cover (O) to the top cross bars (A&B) by inserting M6x15 bolts and washers (AA) through the large fabric cover(O), the flat tube(F), and into the top cross bars(A&B)
- Stick the netting of the small fabric cover (N) to the edges of the large fabric cover (O).



## Assembly (continued)

### 10 Assembling the side panels

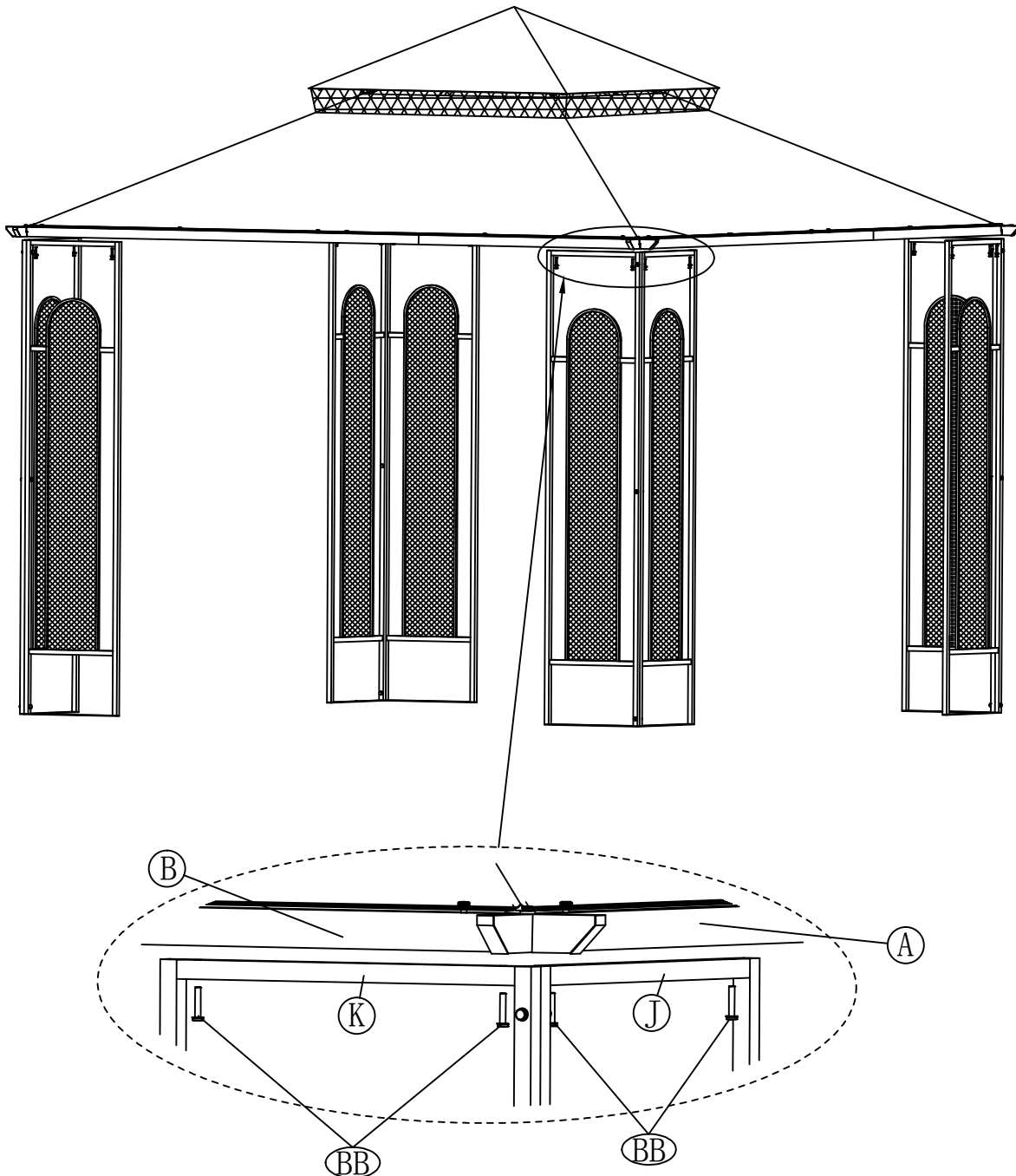
- Connect the side panels (K&J) by lining up the labels near the top, middle, and bottom of the panels and connecting them with M6x48 bolts and washers (DD) with M6 nuts (EE).
- Repeat for the remaining sets of the side panels (K&J).



## Assembly (continued)

### 11 Attaching the top cross bar to the side panels

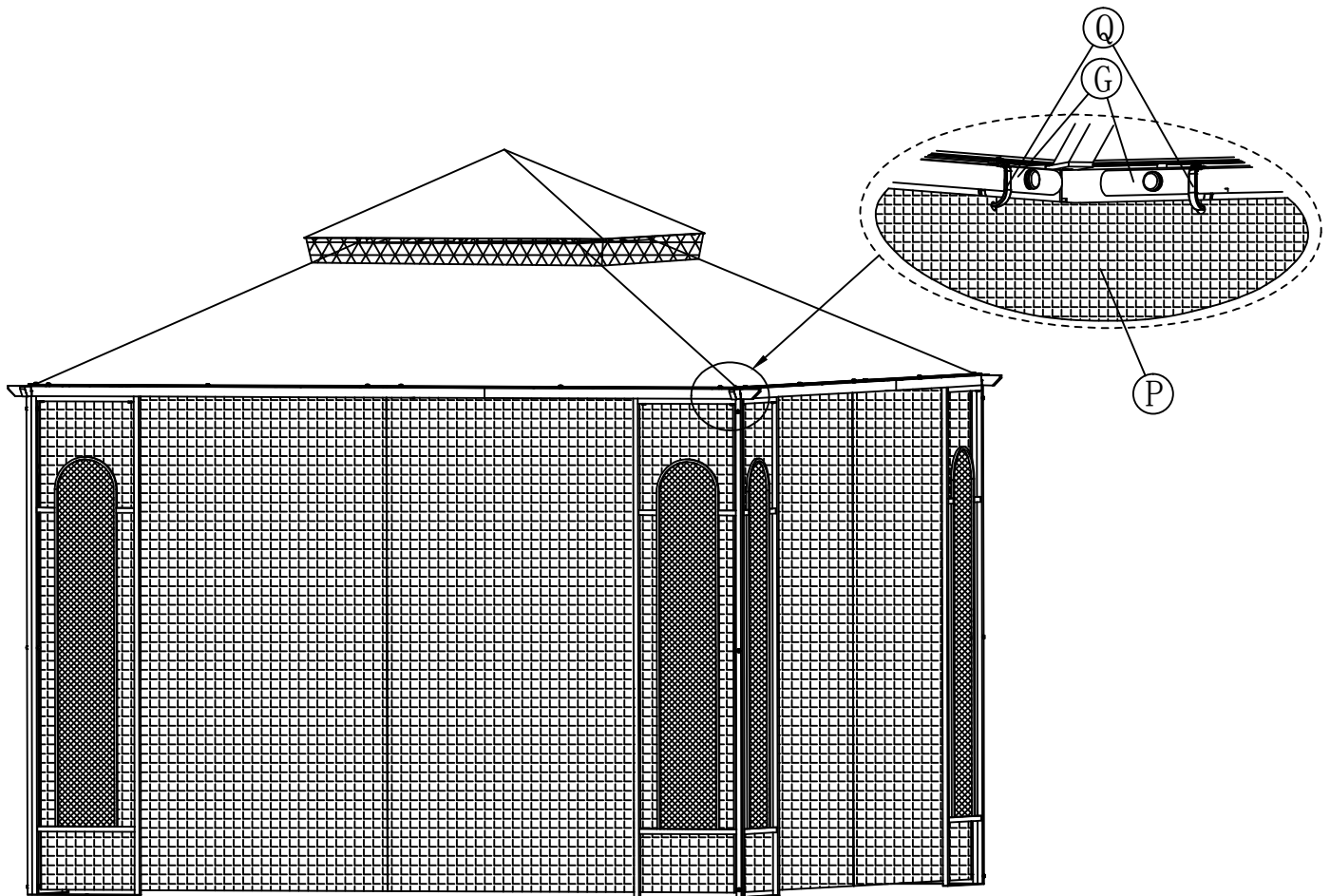
- Attach the short top cross bar (A) to the side panel (J), and the long connector bar (B) to the side panel (K) using M6x32 bolts and washers (BB).
- Repeat for the remaining sets of the side panels (K&J).



## Assembly (continued)

# 12 Hanging the netting

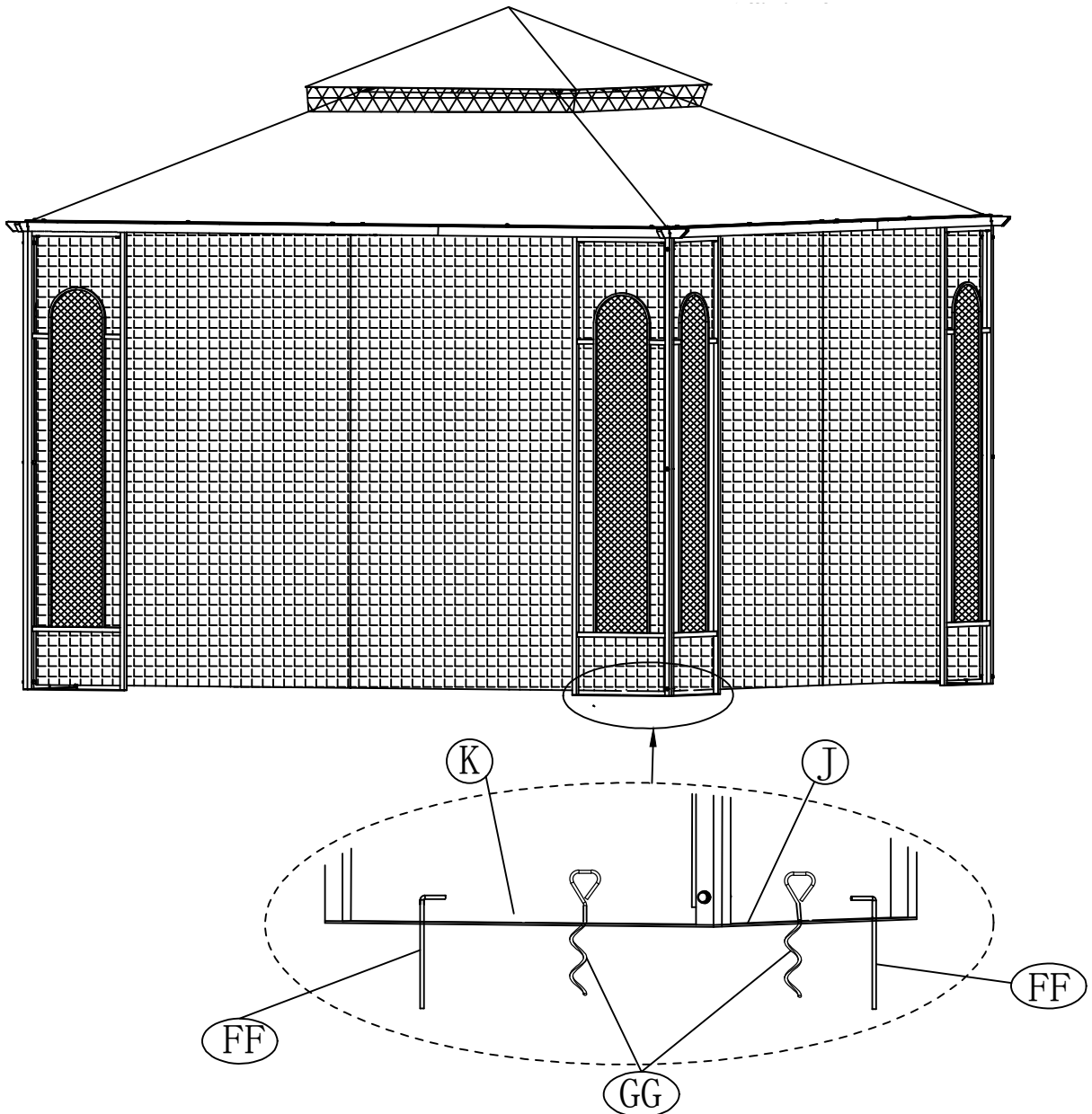
- Put the nettings (P) onto the top cross bars (A&B) using the plastic rings (Q).





## 13 Grounding the gazebo

- Pound the ground spikes (FF&GG) through the holes on the flat bars on the bottom of panels (K&J)





Questions, problems, missing parts? Before returning to the store,  
call Hampton Bay Customer Service.  
8 a.m. - 7 p.m., EST, Monday - Friday, 9 a.m. - 6 p.m., EST, Saturday

**1-855-HD-HAMPTON**

**HAMPTONBAY.COM**

Retain this manual for future use.