

OHIO STEEL INDUSTRIES

PROFESSIONAL GRADE



3048SD-ATV

12 cu ft WELDED STEEL ATV CART



READ AND FOLLOW ALL SAFETY RULES AND OPERATING INSTRUCTIONS BEFORE USING THIS EQUIPMENT

Safety Rules



This is the safety alert symbol. It is used to alert you to potential personal injury hazards. Obey all safety messages that follow this symbol to avoid possible injury or death.

Read and understand all safety rules and operating instructions before using this ATV/UTV attachment.

Follow all safety rules and operating instructions provided by your vehicle's manufacturer when using attachment.

Never allow children or untrained persons to operate vehicle or attachment.

Do not exceed the vehicle manufacturer's towed weight limit.

Reduce vehicle speed and allow extra stopping distance when towing heavy loads.

Reduce vehicle speed and towed weight when operating on slopes.

Operate up and down slopes, never across the face of slopes.

Do not carry passengers on vehicle or attachment.

Avoid sudden turns or maneuvers.

Do not tow attachment on public roadways.

Do not remove warning decals from product.

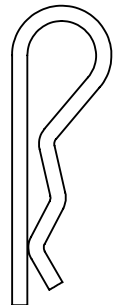
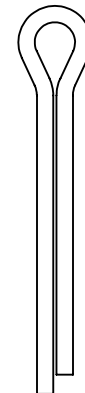
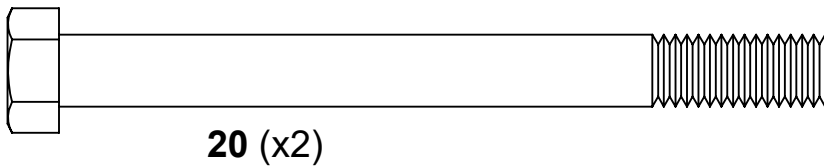
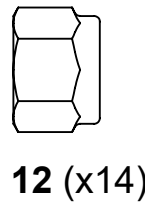
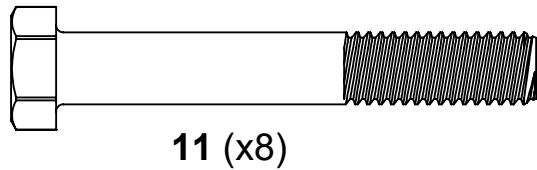
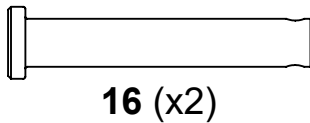
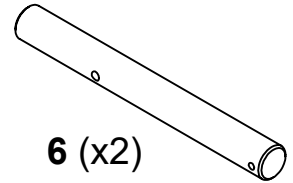
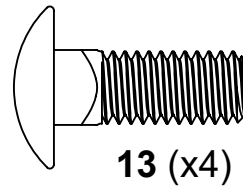
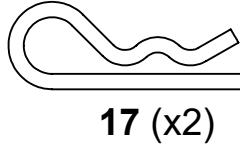
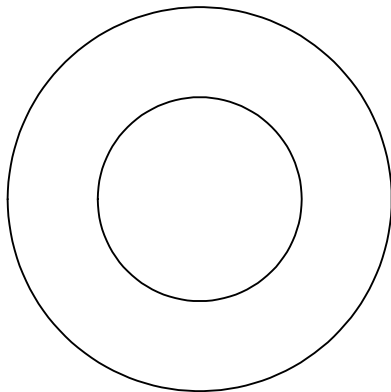
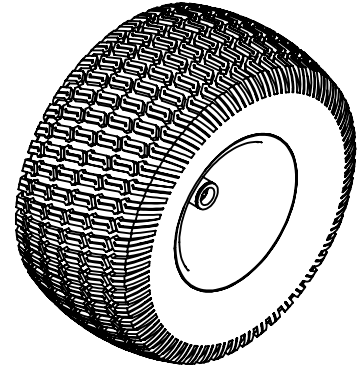
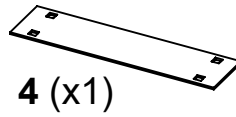
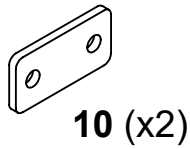
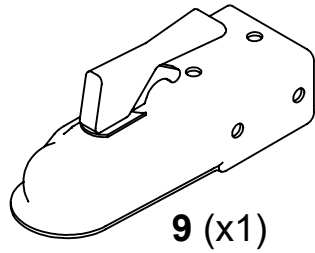
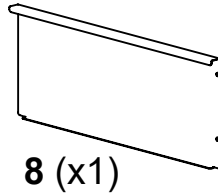
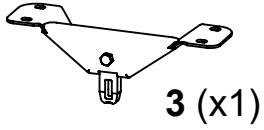
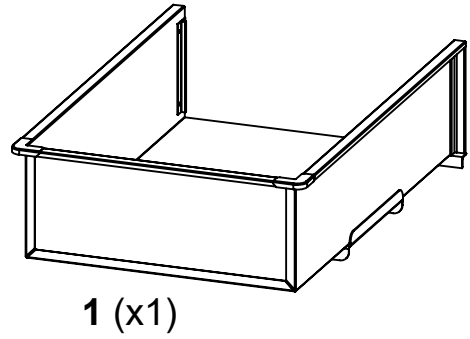
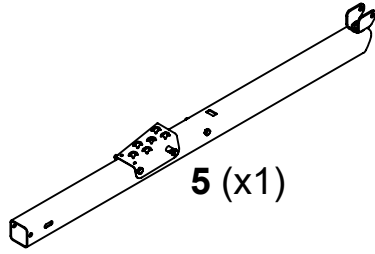
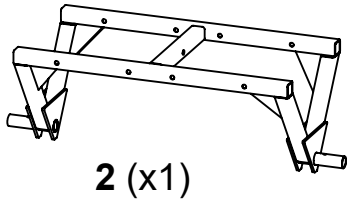
Check product for worn, loose, or damaged parts before each use. If any damage is present, repair the product before using.

Check product for loose or missing fasteners before each use. Tighten or replace fasteners as needed before using.

Do not exceed vehicle speed of 20 miles per hour when towing Dump Cart.

Do not exceed Dump Cart rated weight capacity of 1200 pounds.

Carton Contents



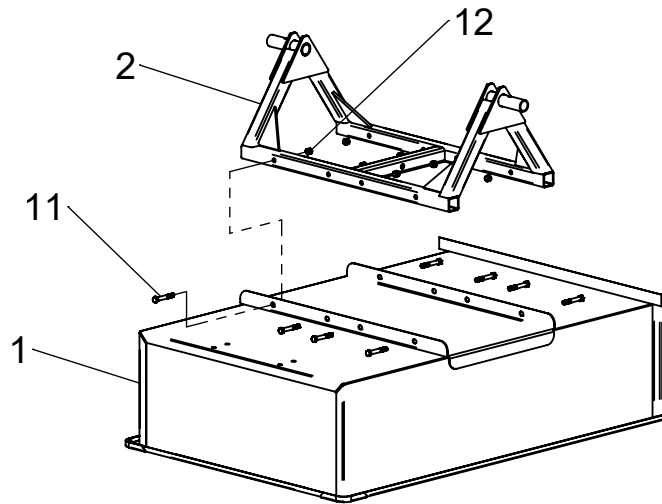
TOOLS REQUIRED FOR ASSEMBLY:

- 9/16" Wrench and Socket
- Needle-Nose Pliers
- Grease Gun

Assembly Instructions

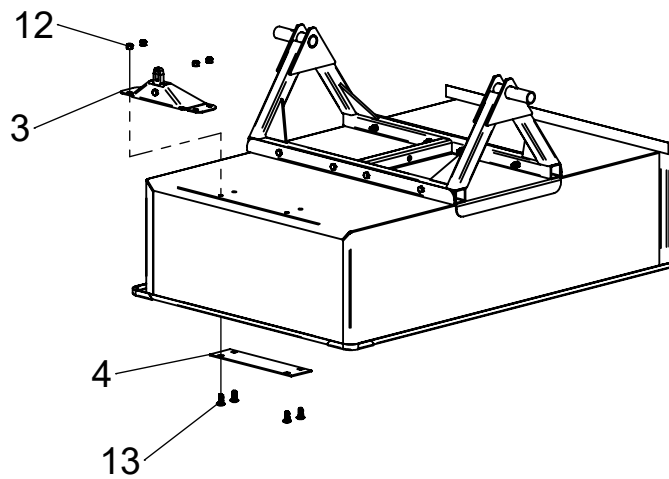
1

Attach undercarriage to body securely with hardware as shown.



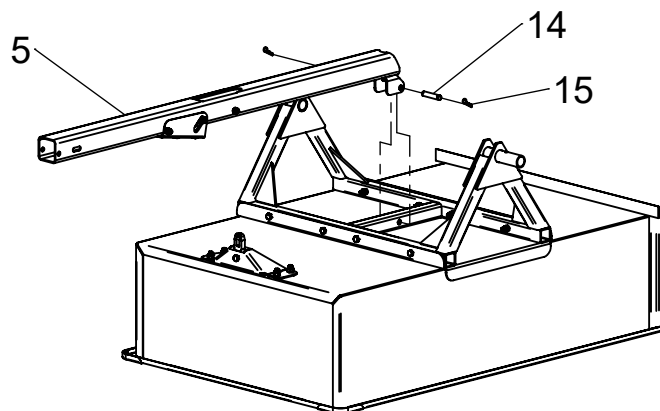
2

Attach front support to body securely with hardware as shown.



3

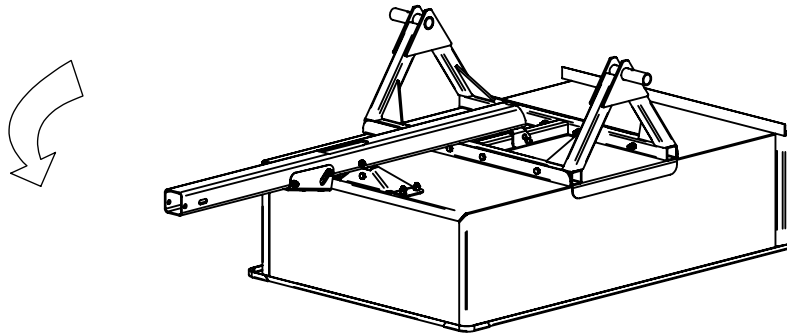
Align holes in swivel clevis and undercarriage and install pin as shown. Secure pin on both ends with hairpins.



Assembly Instructions

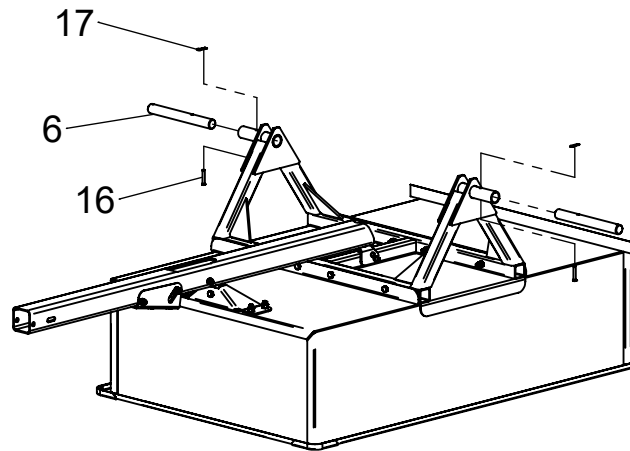
4

Press down on drawbar until it locks into place.



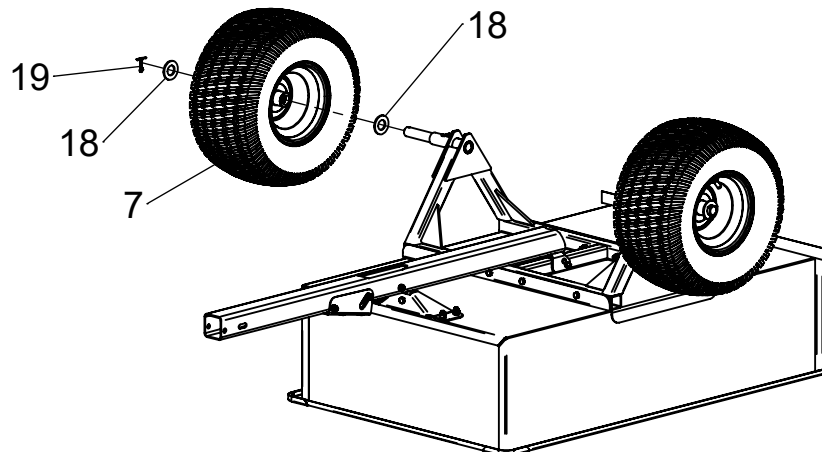
5

Insert stub axles into undercarriage and secure with pins as shown.



6

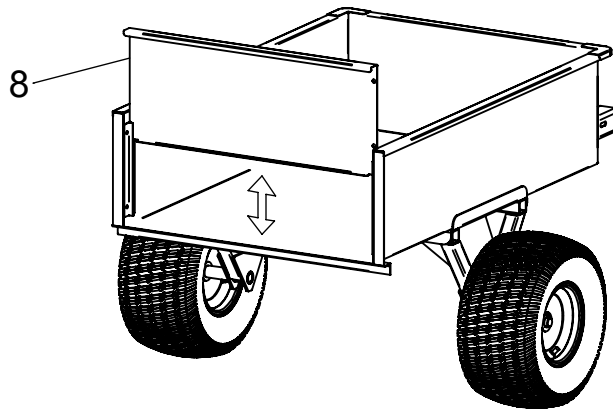
Slide washers and wheels onto stub axles as shown and install cotter pins. Bend legs of cotter pin to secure.



Assembly Instructions

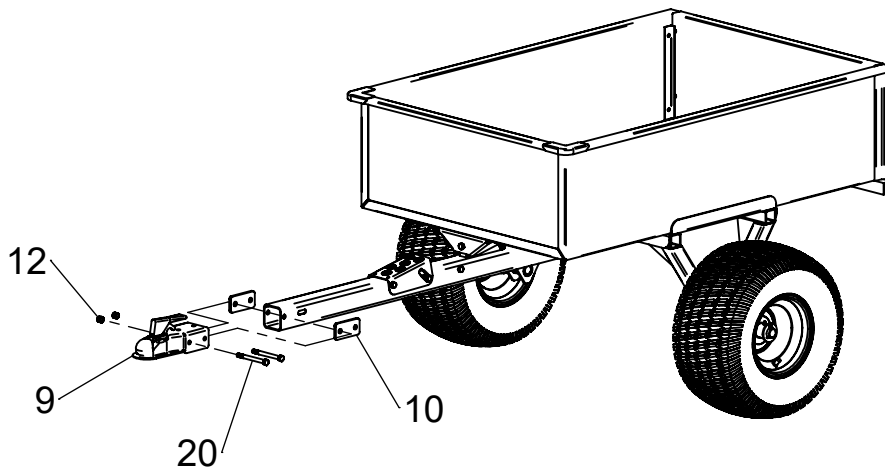
7

Attach tailgate to body as shown. No hardware is required, tailgate should move freely up or down.

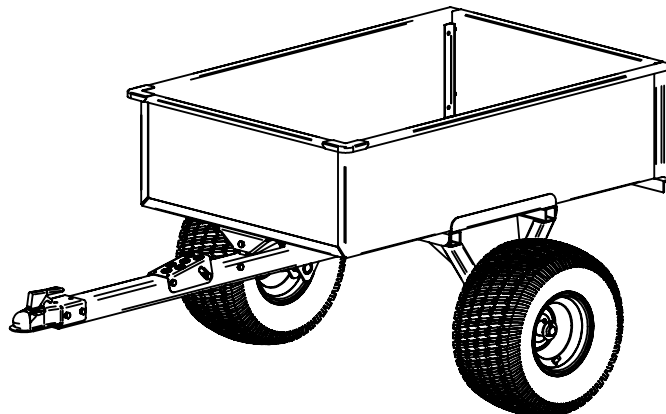


8

Attach ball hitch to drawbar with spacers and hardware as shown.



9



Operating Instructions

Before Using Dump Cart:

1. Apply lithium grease to wheels using grease gun until grease can be seen squeezing out from both sides of the wheel.
2. Check tire pressure and inflate to 24 psi if needed.
3. Read all Safety Rules found on page 1.

How to Use Dump Cart:

1. Attach Dump Cart to your ATV or UTV.
2. Do not exceed 1200 pounds when loading material into the cart body.
3. Distribute the weight of the load as evenly as possible in the cart body for best handling.
4. When hauling heavy loads, verify that your vehicle has adequate towing and braking capacity.
5. Do not exceed 20 miles per hour when towing Dump Cart.

How to Empty Dump Cart:

1. Step down the foot pedal to release the latch mechanism.
2. Swivel as desired to guide the material to preferred location.
3. Lower the body and guide the latch into the drawbar and relatch.

Periodic Maintenance:

- Tighten fasteners as needed before each use
- Check tire pressure before each use
- Grease wheels annually (high temp red lithium grease recommended)

Warranty

If this product fails due to a defect in material or workmanship within **THREE YEARS** from the date of purchase, we will at our option repair or replace it free of charge. This warranty excludes tires and wheels, which are expendable and become worn during normal use.

This warranty does not cover:

- Repairs necessary because of operator abuse or negligence.
- Equipment used for commercial or rental purposes.
- Paint that is worn or faded due to normal use or exposure.

To arrange for product repair call 1-800-652-2321, or return this product to place of purchase for replacement.

This warranty gives you specific legal rights, and you may also have other rights which may vary from state to state. This warranty applies only while this product is in use in the United States.

In the space below record the purchase date of your Dump Cart.

Model Number **3048SD-ATV**

Purchase Date _____

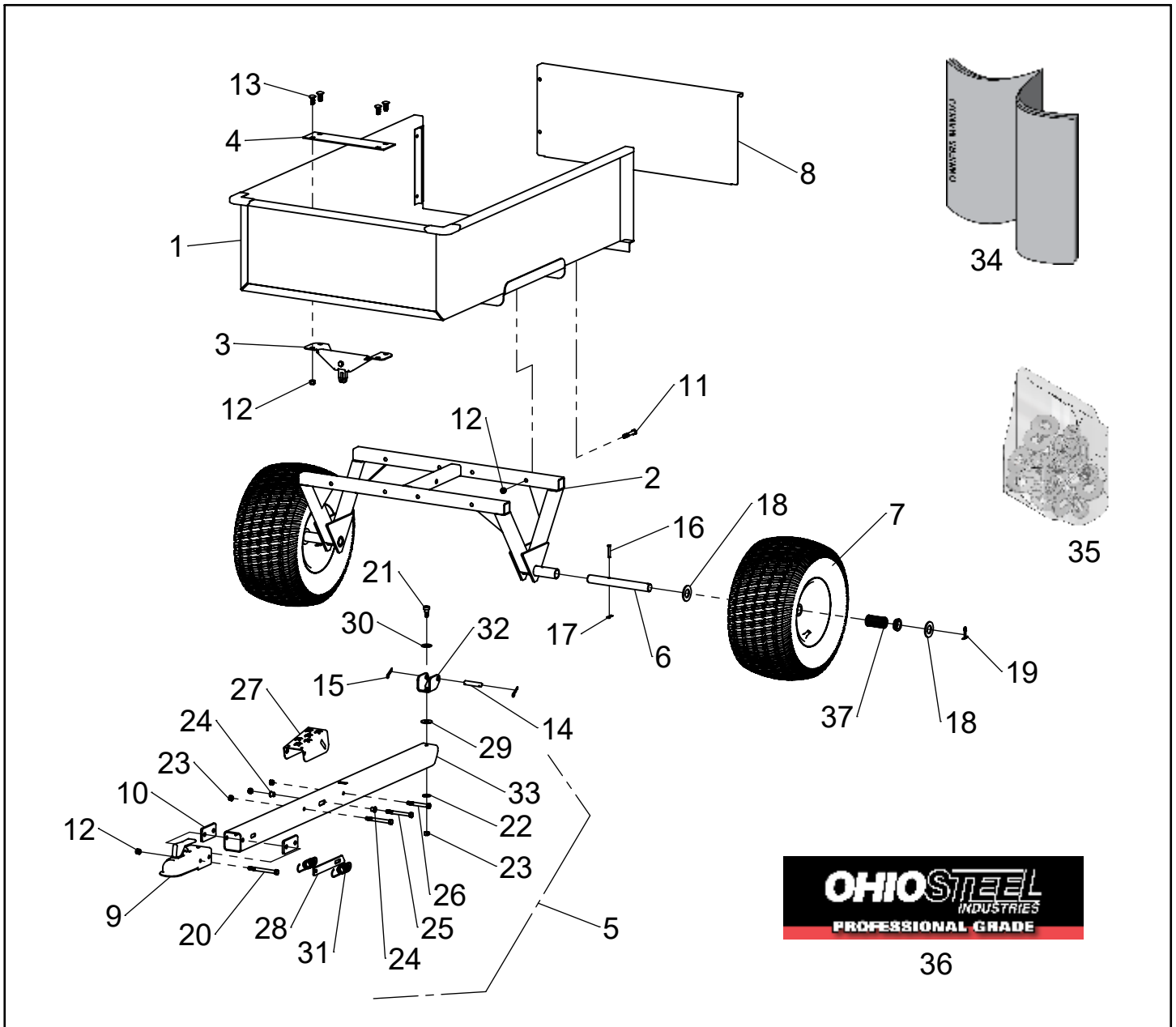
Keep this Owner's Manual and your receipt in a safe place for future reference.

After the three year warranty period all replacement parts may be ordered by calling **1-800-652-2321**.

When ordering replacement parts, always give the following information:

- Product **12 cu ft WELDED STEEL ATV CART**
- Model Number **3048SD-ATV**
- Part Number _____
- Part Description _____

EXPLODED VIEW



ITEM	PART NO	DESCRIPTION	QTY	ITEM	PART NO	DESCRIPTION	QTY
1	6004239	BODY, WELDED 3048	1	20	6004260	HEX BOLT, 3/8-16 X 4"	2
2	6004241	UNDERCARRIAGE	1	21	6000369	SHOULDER BOLT, 1/2" X 3/8"	1
3	6000311	FRONT SUPPORT	1	22	3000720	WASHER, 3/8" USS	1
4	6004245	ADAPTER PLATE	1	23	300061	HEX NUT, 3/8-16 C-LOCK	4
5	6004243	DRAWBAR ASSEMBLY (incl. 21-33)	1	24	6000324	BEARING	2
6	6000523	AXLE, STUB	2	25	6000370	HEX BOLT, 3/8-16 X 3-1/2"	2
7	6000727	WHEEL, 18/950-8 X 1" (BLACK)	2	26	300055	HEX BOLT, 3/8-16 X 3"	1
8	401041	TAILGATE	1	27	6000305	FOOT PEDAL	1
9	308301	COUPLER, 1-7/8" BALL	1	28	6000309	LATCH	1
10	6004202	SPACER, BALL HITCH	2	29	300075	WASHER, 1/2" USS	1
11	6001285	HEX BOLT 3/8"-16 X 2-1/2"	8	30	6000368	WASHER, SPRING	1
12	310061	HEX NUT, 3/8-16 NYLOC	14	31	6000325	SPRING, LATCH	2
13	6004259	CARRIAGE BOLT, 3/8-16 X 1"	4	32	6000321	CLEVIS, SWIVEL	1
14	6000371	PIN, 1/2" X 2-13/32"	1	33	6004244	DRAWBAR	1
15	6000372	HAIRPIN COTTER, 0.080" X 1-9/16"	2	34	6004252	OWNER'S MANUAL	1
16	3000811	CLEVIS PIN, 1/4" X 1-1/2"	2	35	6004251	HARDWARE BOLT BAG	1
17	3000812	HAIRPIN COTTER, 0.080" X 1-3/16"	2	36	6000162	DECAL, OSI PRO	2
18	300076	WASHER, 1" SAE	4	37	6000818	KIT, 1" WHEEL BEARINGS	1
19	300087	COTTER PIN, 3/16" X 1-1/2"	2				

REPAIR KITS

KIT	KIT NUMBER	PART NUMBER	PART DESCRIPTION	QTY
HARDWARE BOLT BAG	6004251	6004259	CARRIAGE BOLT, 3/8-16 X 1"	4
		6004202	SPACER, BALL HITCH	2
		6001285	HEX BOLT 3/8"-16 X 2-1/2"	8
		310061	HEX NUT, 3/8-16 NYLOC	14
		6000371	PIN, 1/2" X 2-13/32"	1
		6000372	HAIRPIN COTTER, 0.080" X 1-9/16"	2
		3000811	CLEVIS PIN, 1/4" X 1-1/2"	2
		3000812	HAIRPIN COTTER, 0.080" X 1-3/16"	2
		300076	WASHER, 1" SAE	4
		300087	COTTER PIN, 3/16" X 1-1/2"	2
		6004260	HEX BOLT, 3/8-16 X 4"	2
1" WHEEL BEARING KIT	6000818	6000814	1" BEARING RETAINER	4
		6000816	1" ROLLER BEARING	2
DRAWBAR ASSEMBLY	6004243	300055	HEX BOLT, 3/8-16 X 3"	1
		300061	HEX NUT, 3/8-16 C-LOCK	4
		300075	WASHER, 1/2" USS	1
		3000720	WASHER, 3/8" USS	1
		6000305	FOOT PEDAL	1
		6000309	LATCH	1
		6000321	CLEVIS, SWIVEL	1
		6000324	BEARING	2
		6000325	SPRING, LATCH	2
		6000368	WASHER, SPRING	1
		6000369	SHOULDER BOLT, 1/2" X 3/8"	1
		6000370	HEX BOLT, 3/8-16 X 3-1/2"	2
		6004244	FORMED DRAWBAR	1

Before you call...

Please email our customer service team at cs@ohiosteel.com with:

1. A description of the issue you are having
2. Photos of the issue that include an overall view and detailed view from multiple angles
3. If applicable, a short video showing the issue

If you believe this is a warranty related issue please see the warranty page in this manual

Replacement Parts:

If you are ordering replacement part(s) for your product, please note that some parts are only available as a repair kit.

1. First locate the part on the Exploded View page (page 8)
2. Take note of the part number
3. If the part number is on the Repair Kits page, use the kit number to order your replacement parts
4. If the part number is not on the Repair Kits page, use the part number to order your replacement part

You can place your parts order online at ohiosteel.com/partsstore

You can also reach our Customer Service Department at 1-800-652-2321

Notes

OHIO *STEEL*
INDUSTRIES

Designed And Tested In Columbus, Ohio

Manufactured In The U.S.A. From Domestic
And Imported Components



MODEL # 3048SD-ATV

2575 Ferris Road Columbus, OH 43224
(800) 652-2321

www.OHIOSTEEL.com

(800) 652-2321