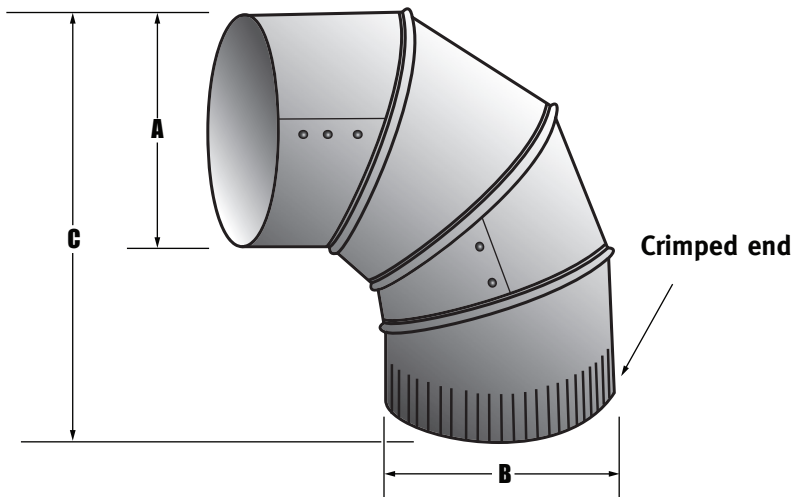


**Aluminum Elbows**  
Fully Adjustable to 90°



MODEL NO.	DIMENSIONS A x B x C
DE903	3" x 27/8" x 6"
DE904	4" x 37/8" x 6 1/2"
DE905	5" x 47/8" x 7"
DE906	6" x 57/8" x 7 1/2"
DE904C	4" x 37/8" x 6 1/2"

DE904C is IRC compliant (0.016" aluminum)

**GENERAL INFORMATION**

RECOMMENDED DUCT BY DRYER  
MANUFACTURERS FOR DRYER VENTING

- Fully adjustable aluminum elbow from 0° to 90°
- Light gauge most commonly used in dryer or bathroom venting
- Crimped at one end

**PERFORMANCE DATA**

For aluminum, adjustable elbows

**Material**

- Aluminum
- Thickness - 0.014" (0.35mm)

**Manufactured**

- 4 sections, each section machined together for full range adjustability, crimped at one end

Deflecto's policy is one of continual product improvement in design and manufacturing wherever possible, therefore all specifications and designs are subject to change without notice and without incurring obligations.