

# Wastewater

## 9SN Series



9SN-CIA-SFS

9SN-CIA-RF

9SN-CIM

### Applications

- Little Giant 9SN Series Sewage Pumps are rated for continuous duty in effluent and sewage wastewater transfer applications

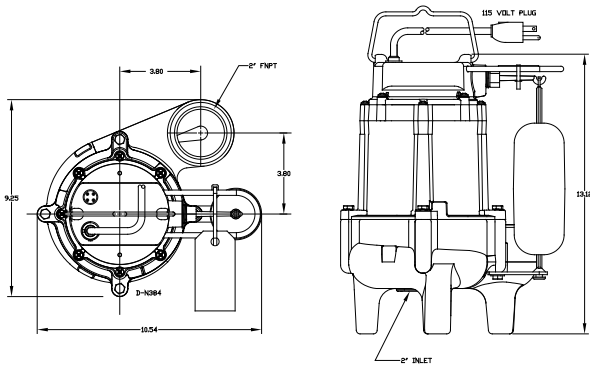
### Features

- 4/10 hp PSC motor with thermal overload protection
  - Energy saving low amp draw
  - Cooler running motor which extends the life of the pump
- Cast iron pump housing with protective epoxy coating for corrosion and rust resistance
- Stainless steel screws, bolts, and handle
- Mechanical seals (stainless steel spring, nitrile parts, carbon and ceramic faces)
- Upper sintered sleeve bearing and lower ball bearing
- Handles liquid and solid waste materials up to 2" diameter
- Available in manual or automatic operation:
- Piggyback mechanical float switch
  - On level 9" - 14"
  - Off level 2" - 6"
- Integral Snap Action float switch
  - On level 9" - 12"
  - Off level 3" - 6"
- Two year warranty

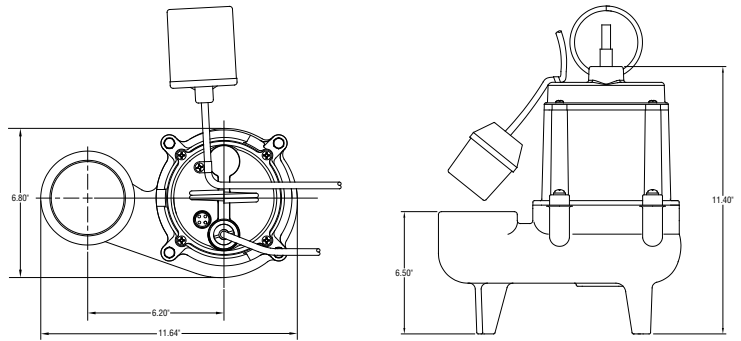


**LittleGIANT®**

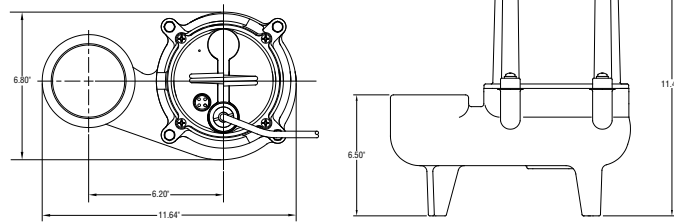
## Engineering Data



9SN-CIA-SFS



9SN-CIA-RF



9SN-CIM

## Specifications

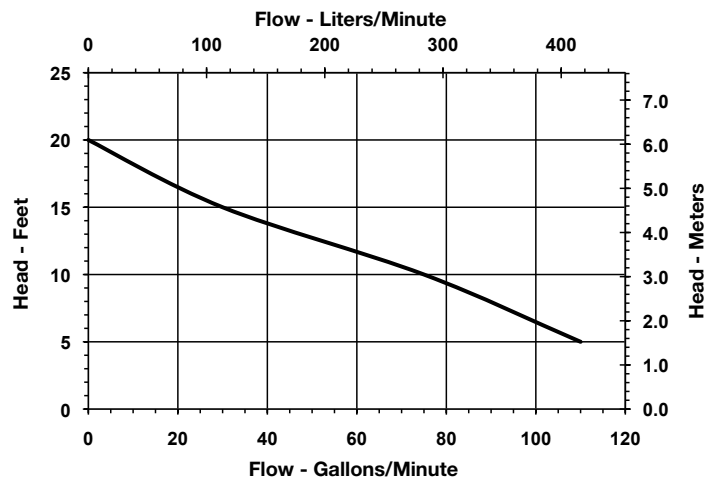
Item	Model	HP	Volts	HZ	Solids Size (dia. in)	Discharge	Running Amps/ Watts	Performance GPM @ Head			Shut Off (ft)	PSI	Cord Length	Weight (lbs)	Dimensions		
								5'	10'	15'					H X L X W (in)		
509228	9SN-CIA-SFS	4/10	115	60	2"	2"	8.5/850	110	70	30	20	8.7	20'	35.5	13.12	10.54	6.8
509204	9SN-CIA-RF	4/10	115	60	2"	2"	8.5/850	110	70	30	20	8.7	20'	35.5	11.4	11.64	6.8
509215	9SN-CIA-RF	4/10	115	60	2"	3"	8.5/850	110	70	30	20	8.7	20'	35.5	11.4	11.64	6.8
509226	9SN-CIM	4/10	115	60	2"	3"	8.5/850	110	70	30	20	8.7	20'	35.5	11.4	11.64	6.8
509203	9SN-CIM	4/10	115	60	2"	2"	8.5/850	110	70	30	20	8.7	20'	34.5	11.4	11.64	6.8
509217	9SN-CIM	4/10	208 - 230	50/60	2"	2"	4.0/800	110	70	30	20	8.7	20'	36	11.6	10.3	6.8
509227	9SN-CIM	4/10	208 - 230	50/60	2"	3"	4.0/800	110	70	30	20	8.7	20'	36	11.6	10.3	6.8

## Construction

Cover	Epoxy-coated cast iron/ *Thermoplastic
Motor Housing	Epoxy-coated cast iron
Impeller Material	Nylon
Impeller Type	Vortex
Volute	Epoxy-coated cast iron
Power Cord	SJTW
Mechanical Shaft Seal	Nitrile with carbon and ceramic faces
Fasteners	Stainless steel
Shaft	Steel
Bearings	Upper sintered sleeve and lower ball bearing

\*SFS Models

## Performance Data



P.O. Box 12010  
Oklahoma City, OK 73157-2010  
Phone: 1.800.701.7894  
Fax: 1.800.678.7867  
www.LittleGiantPump.com