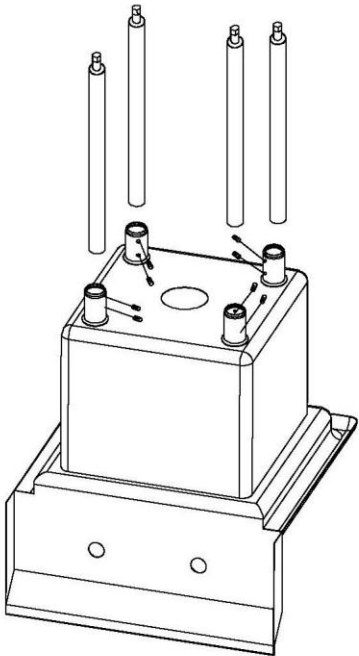




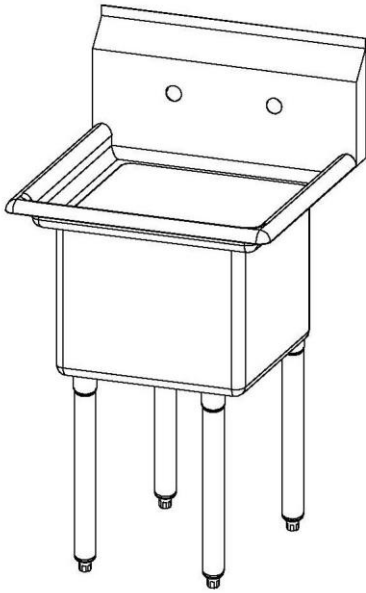
## Compartment Sink Assembly Instructions

**Step 1.** Carefully remove contents of carton. position sink upside down on a protected surface so you can access the underside of the sink. Install leg assembly into gussets at each end.



**Step 2.** Tighten each Set Screw using 5/32" Allen Wrench included with your sink

**Step 3.** Carefully turn sink over onto its legs. Check for stability and adjust Bullet Feet as necessary



If you require additional assistance please contact customer service by email [support@koolmore.com](mailto:support@koolmore.com) or by phone For Additional Assistance, Please call Customer Service at: 718-576-6342



Koolmore  
1411 President street STE 3A  
Brooklyn NY 11213  
718-576-6342  
[support@koolmore.com](mailto:support@koolmore.com)