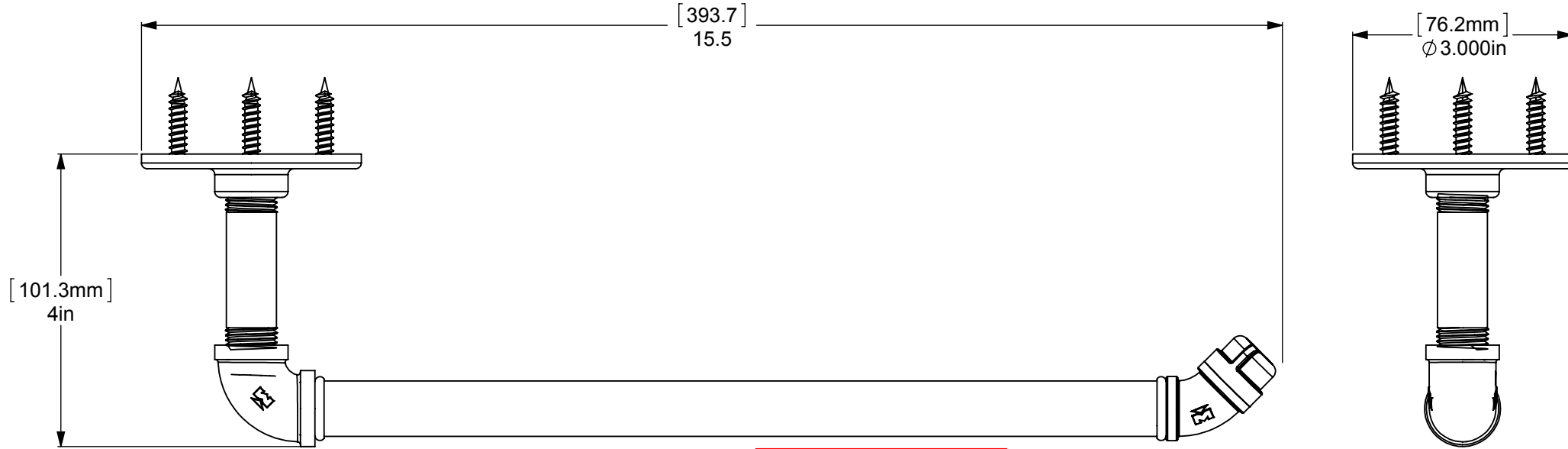
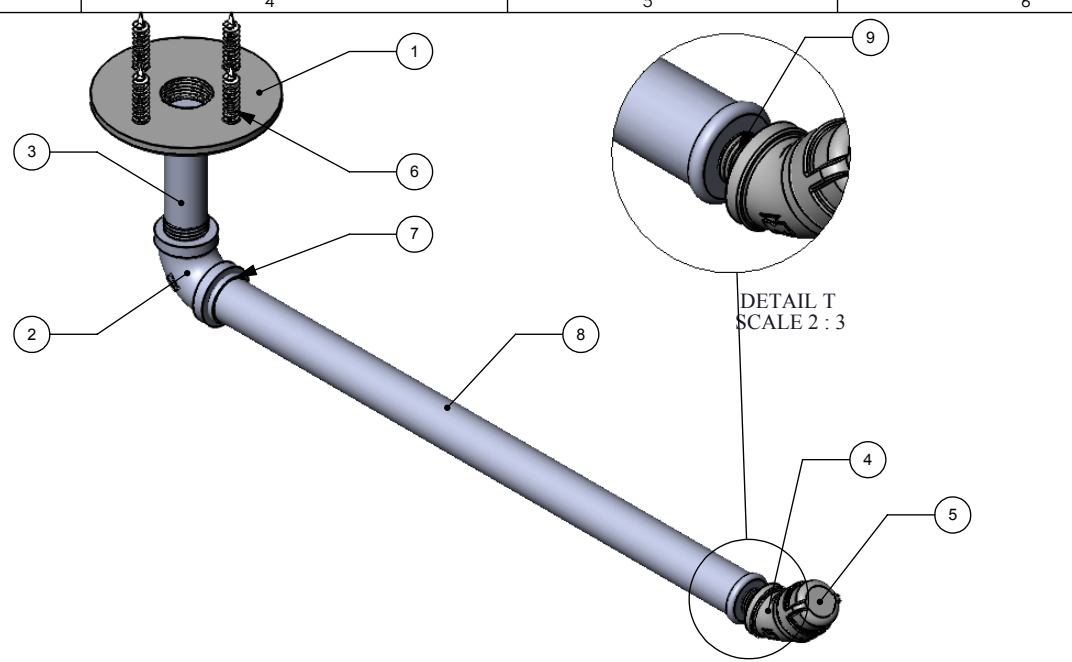


ITEM NO.	PART NO.	DESCRIPTION	QTY.
1	PIPE-FL38-3	3/8" FLANGE	1
2	PIPE-EL38-90	3/8" 90 DEG. ELBOW	1
3	PIPE-38-3	3/8" 3" NIP	1
4	PIPE-EL14-45	1/4" 45 DEG. ELBOW	1
5	PIPE-CAP-14	1/4" CAP	1
6	WOOD-SCREW-12	#12 WOOD SCREW	4
7	CRRD-34	3/4" CK RING	2
8	TU34-11.5	3/4" TUBE 11.5"	1
9	BUS-14x18	1/4" BUSHING	1



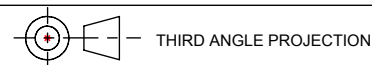
APPROVED FOR PRODUCTION

BY: RICHARD PAUL
DATE: 6/20/2017

UNLESS OTHERWISE STATED

.X	±.3mm
.XX	±.15mm
.XXX	±.008mm

COPYRIGHT © Allied Brass 2017



DRAWN	6/20/2017	I.M
CHECKED	6/20/2017	P.D
APPROVED	6/20/2017	R.A

MATERIAL: BRASS		FINISH	TBD
DESCRIPTION:		QUANTITY	TBD
Pipeline Collection Under Cabinet Paper Towel Holder		DRAWING No.	
		P-560-UPT	
SCALE 1:2		SHEET: 01	A4

