

ZLINE



FAUCET

Installation Guide
and Users Manual

CONTENTS

FAUCETS

- **SAFETY INSTRUCTIONS** 1
 - Prior to Installation
 - Safety Tips
 - Care and Maintenance

- **SPRING KITCHEN FAUCETS** 2
 - Models: FSNZ-CH FSTB-CH
 - FSNZ-SS FSTB-SS
 - FSNZ-MB FSTB-MB

 - Dimensions
 - Parts
 - Assembly

- **PULL DOWN KITCHEN FAUCETS** 5
 - Models: FPBL-CH
 - FPBL-SS
 - FPBL-MB

 - Dimensions
 - Models: FPTB-CH FPTF-CH FPNZ-CH
 - FPTB-SS FPTF-SS FPNZ-SS
 - FPTB-MB FPTF-MB FPNZ-MB

 - Dimensions
 - Models: FPBC-CH
 - FPBC-SS

 - Dimensions
 - Parts
 - Assembly

CONTENTS

FAUCETS

- **SMART KITCHEN FAUCET** 11
 - Model: FMTF-SS
 - Dimensions
 - Parts
 - Assembly

- **KITCHEN FAUCETS WITH SPRAYER** 14
 - Models: FFCS-CH FFCC-CH
 - FFCS-OR FFCC-OR
 - Dimensions
 - Parts
 - Assembly

- **TROUBLESHOOTING** 20

SAFETY INSTRUCTIONS

Prior to Installation

- Make sure that the cold and hot water lines are turned off.
- Wrap all threaded connections with Teflon tape. Always wrap in a clockwise direction.
- Cover your drain to avoid losing parts.
- Do not disassemble the main faucet body, as it has been installed and commissioned correctly and precisely before delivery to the factory.
- To keep the faucet from jamming, flush the water pipe before installation.

Using condition: Working pressure at 0.05-1.0 MPa (including cold and hot water pressure) with applicable water temperature: 39.2°F - 1 94°F.

Care and Maintenance

To keep the product clean and shining, follow the steps below:

1. Rinse clean with water and dry with a soft cloth.
2. Do not clean with soaps, acid, polish, abrasives, or harse cleaners.
3. Do not use cloth with a course surface.
4. Unscrew the aerator and clean when necessary.

If soldering the water connections when installing the faucet, remove the O-rings, cartridges, and washers before applying any heat.

Protect your eyes when cutting or soldering.

Do not over tighten screws/nuts. Finger tighten, then use a wrench/screwdriver to tighen the fixing screw/nut until snug.

SPRING KITCHEN FAUCETS

Spring Kitchen Faucet Models

FSNZ-CH

FSNZ-SS

FSNZ-MB

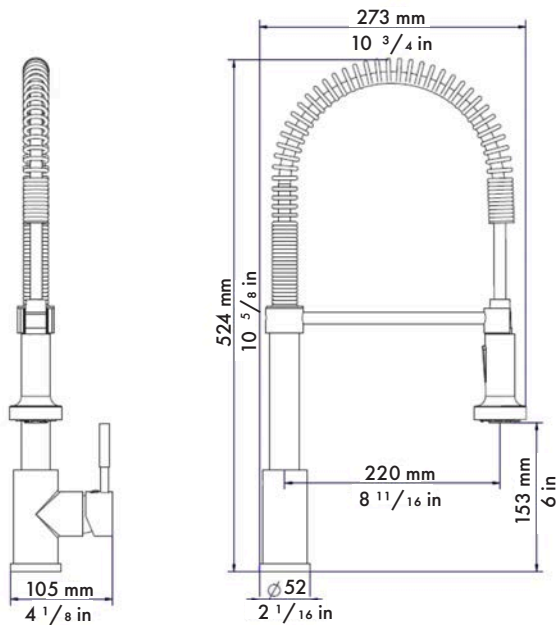
FSTB-CH

FSTB-SS

FSTB-MB



Dimensions



SPRING KITCHEN FAUCET

Parts for Models:

FSNZ-CH

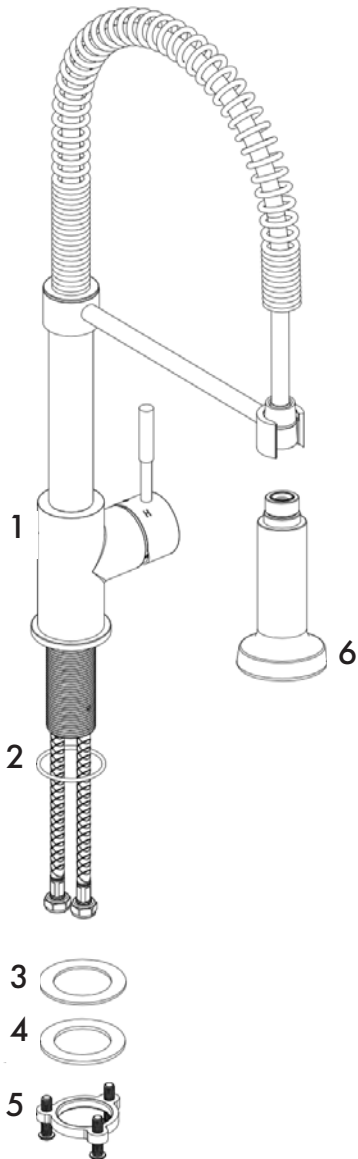
FSNZ-SS

FSNZ-MB

FSTB-CH

FSTB-SS

FSTB-MB



1. Faucet Body
2. Base O-Ring
3. Rubber Washer
4. Metal Washer
5. Fixing Nut and Screws
6. Spray Head

SPRING KITCHEN FAUCET

Assembly for Models:

FSNZ-CH

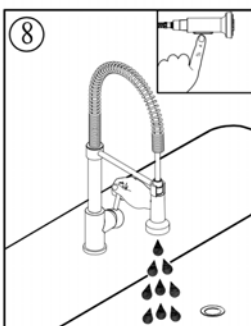
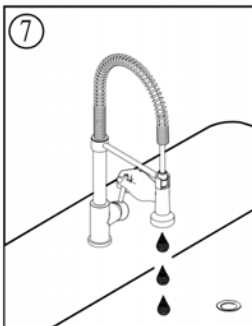
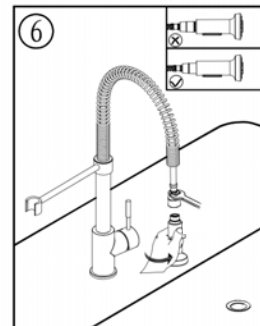
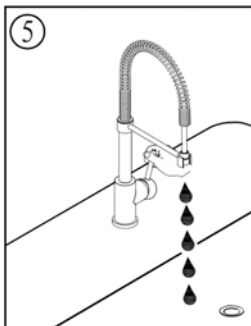
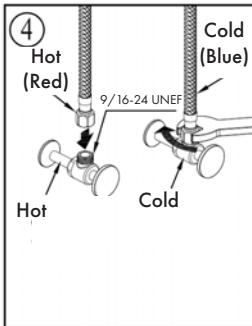
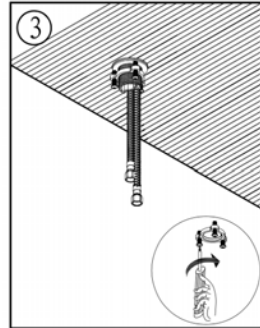
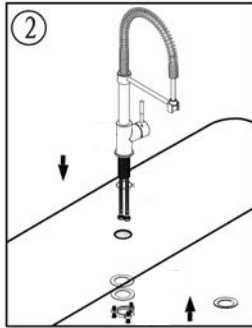
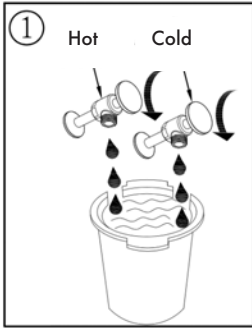
FSTB-CH

FSNZ-SS

FSTB-SS

FSNZ-MB

FSTB-MB



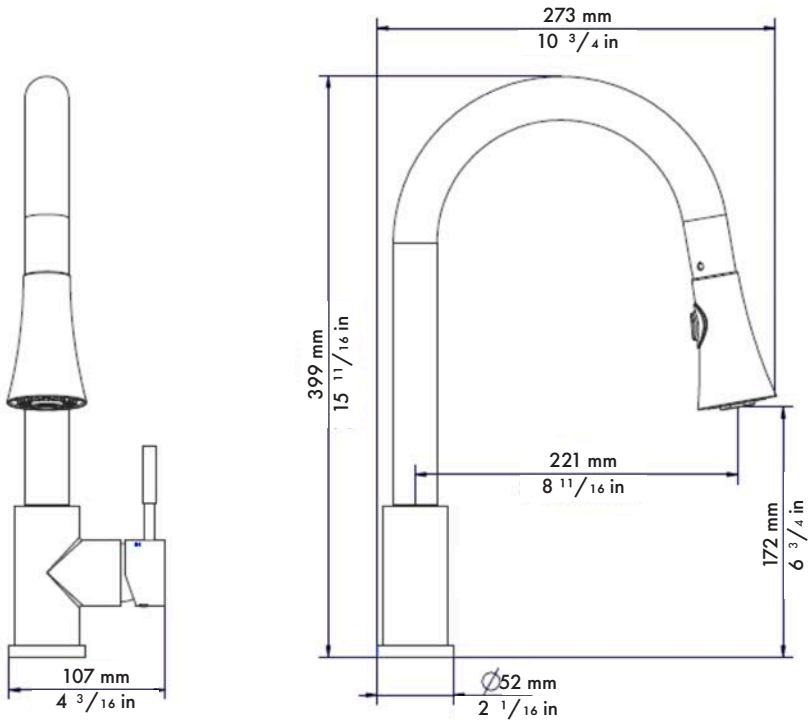
PULL DOWN KITCHEN FAUCETS

Pull Down Kitchen Faucet Models

FPBL-CH

FPBL-SS

FPBL-MB



PULL DOWN KITCHEN FAUCETS

Pull Down Kitchen Faucet Models

FPTB-CH

FPTF-CH

FPNZ-CH

FPTB-SS

FPTF-SS

FPNZ-SS

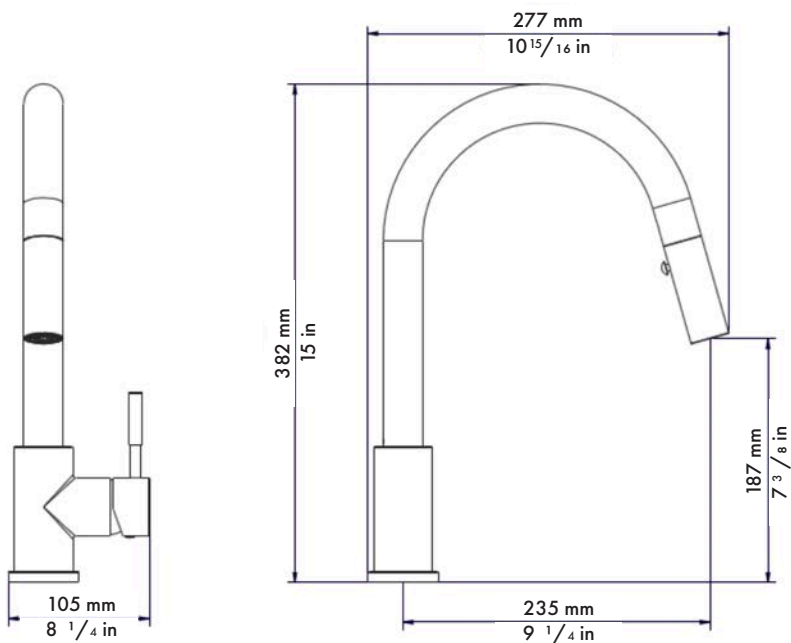
FPTB-MB

FPTF-MB

FPNZ-MB



Dimensions



PULL DOWN KITCHEN FAUCETS

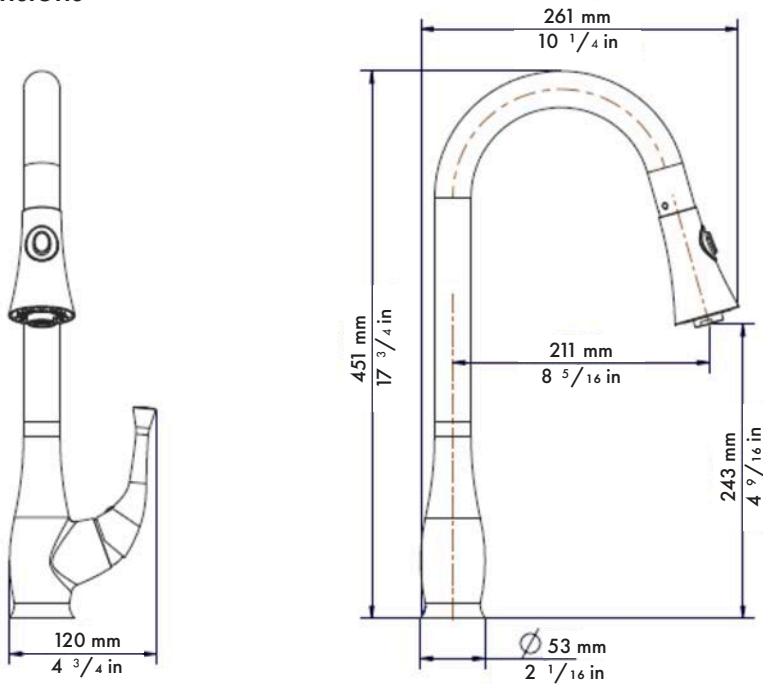
Pull Down Kitchen Faucet Models

FPBC-CH

FPBC-SS



Dimensions



PULL DOWN KITCHEN FAUCETS

Parts for Models:

FPBL-CH

FPTB-CH

FPTF-CH

FPNZ-CH

FPBC-CH

FPBL-SS

FPTB-SS

FPTF-SS

FPNZ-SS

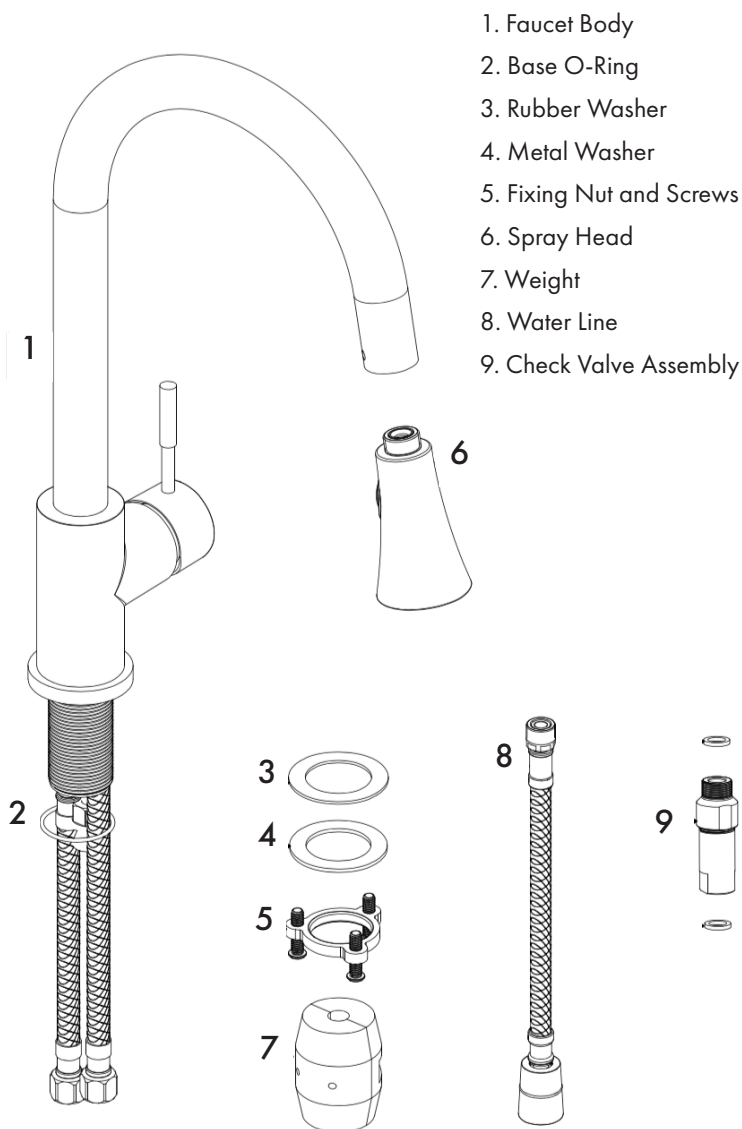
FPBC-SS

FPBL-MB

FPTB-MB

FPTF-MB

FPNZ-MB



1. Faucet Body
2. Base O-Ring
3. Rubber Washer
4. Metal Washer
5. Fixing Nut and Screws
6. Spray Head
7. Weight
8. Water Line
9. Check Valve Assembly

PULL DOWN KITCHEN FAUCETS

Assembly for Models:

FPBL-CH

FPTB-CH

FPTF-CH

FPNZ-CH

FPBC-CH

FPBL-SS

FPTB-SS

FPTF-SS

FPNZ-SS

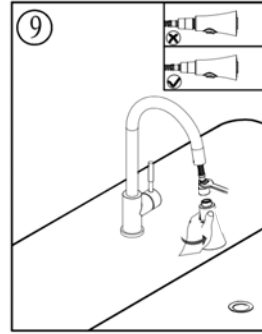
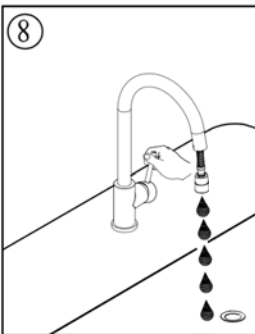
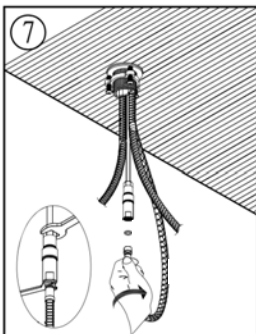
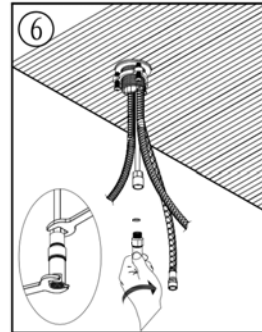
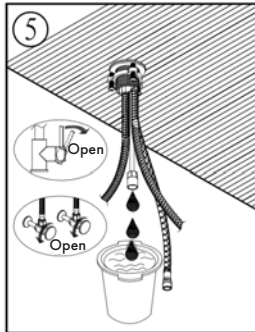
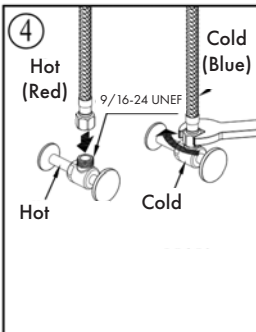
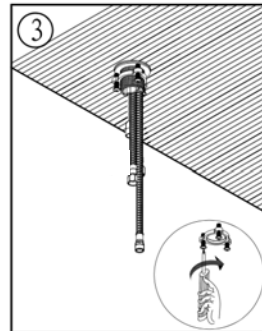
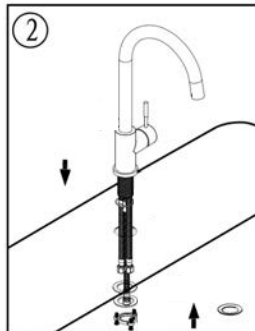
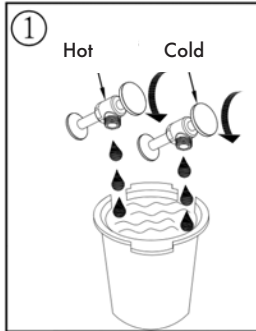
FPBC-SS

FPBL-MB

FPTB-MB

FPTF-MB

FPNZ-MB



Assembly continued on next page.

PULL DOWN KITCHEN FAUCETS

Assembly Continued for Models:

FPBL-CH

FPTB-CH

FPTF-CH

FPNZ-CH

FPBC-CH

FPBL-SS

FPTB-SS

FPTF-SS

FPNZ-SS

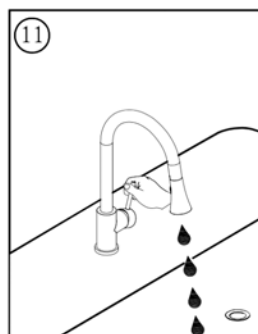
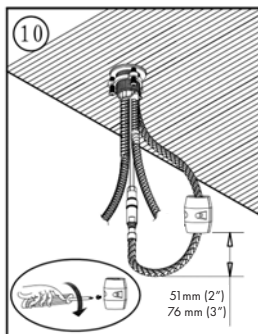
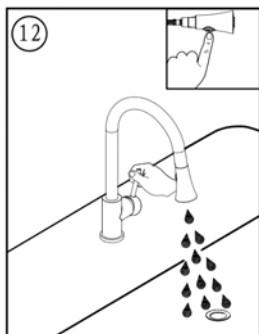
FPBC-SS

FPBL-MB

FPTB-MB

FPTF-MB

FPNZ-MB



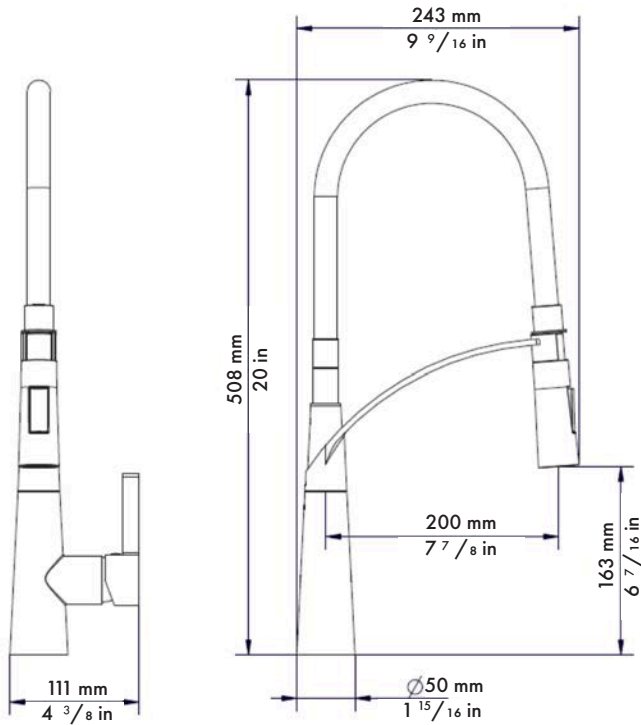
SMART KITCHEN FAUCET

Smart Kitchen Faucet Model

FMTF-SS



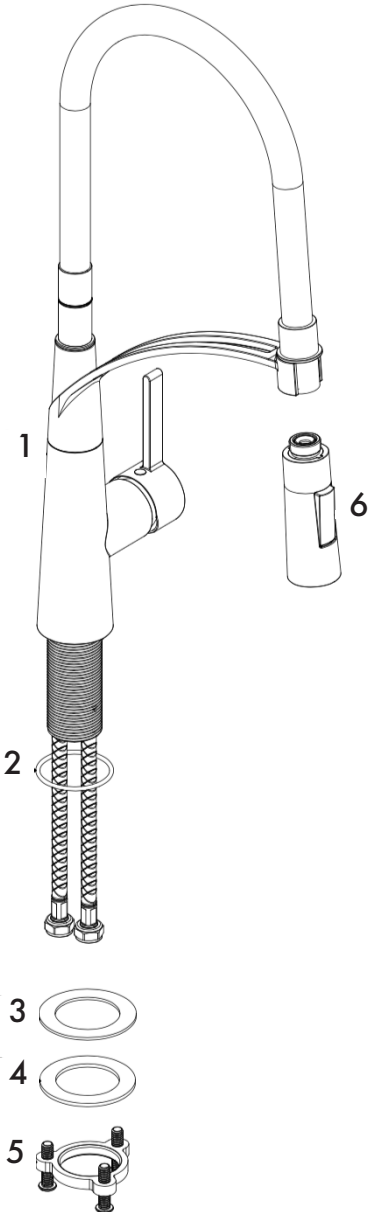
Dimensions



SMART KITCHEN FAUCET

Parts for Model:

FMTF-SS

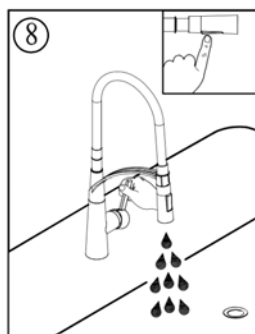
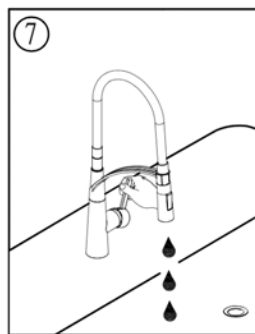
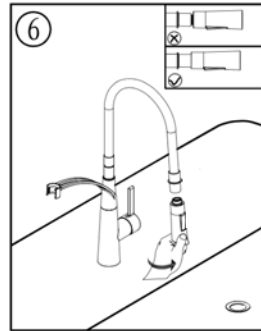
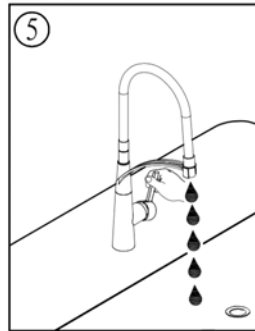
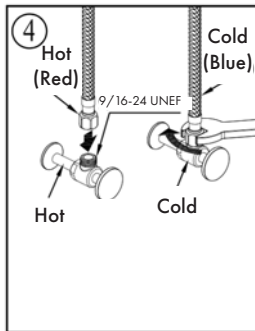
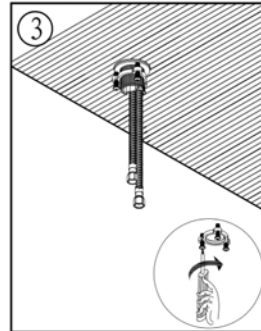
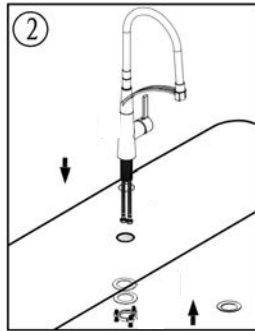
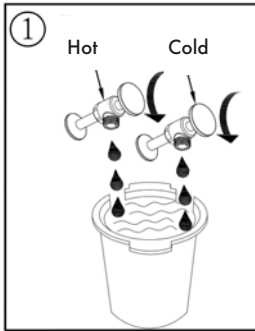


1. Faucet Body
2. Base O-Ring
3. Rubber Washer
4. Metal Washer
5. Fixing Nut and Screws
6. Spray Head

SMART KITCHEN FAUCETS

Assembly for Model:

FMTF-SS



KITCHEN FAUCETS WITH SPRAYERS

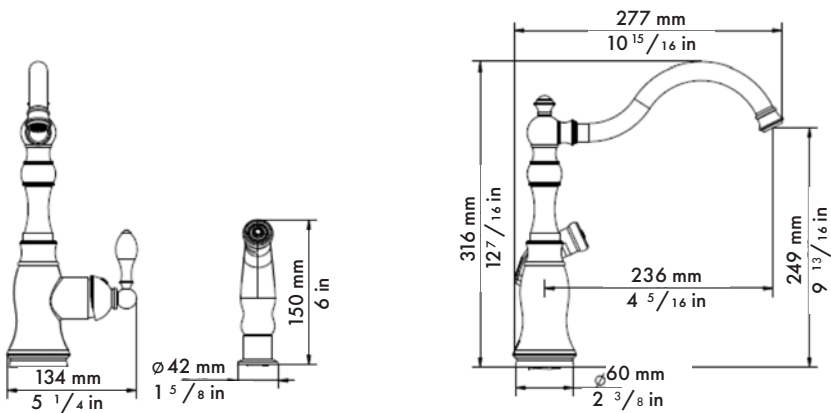
Kitchen Faucet with Sprayer Models:

FFCS-CH

FFCS-OR



Dimensions

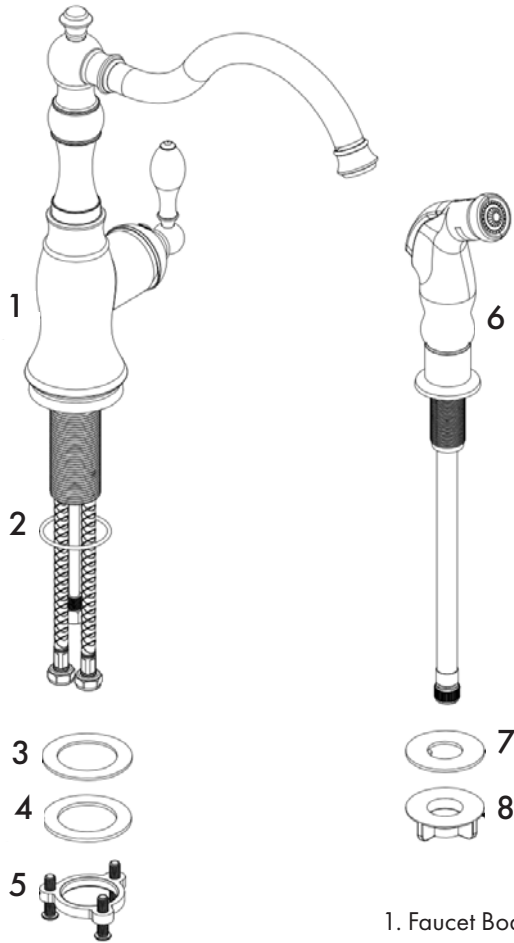


KITCHEN FAUCETS WITH SPRAYERS

Parts for Models:

FFCS-CH

FFCS-OR



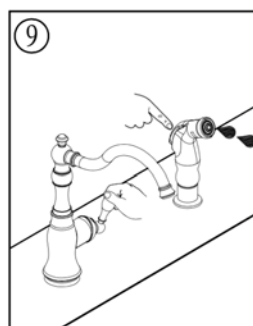
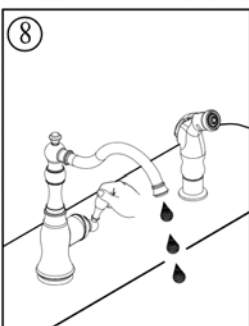
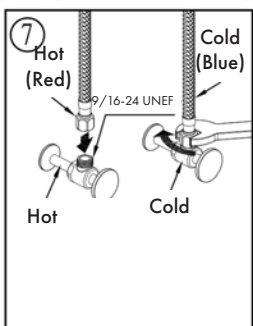
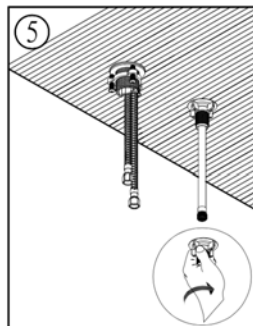
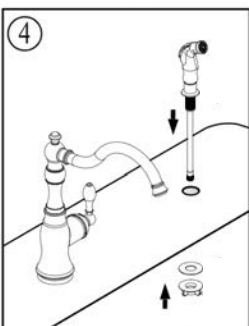
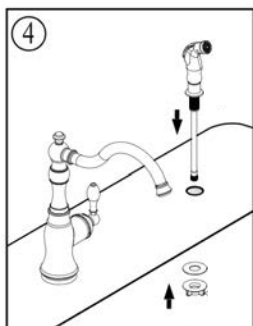
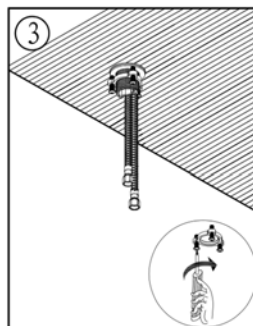
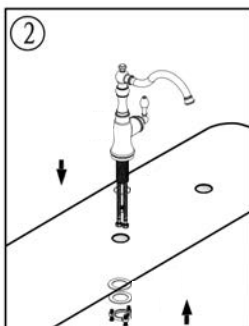
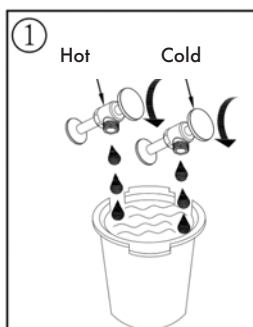
1. Faucet Body
2. Base O-Ring
3. Rubber Washer
4. Metal Washer
5. Fixing Nut and Screws
6. Spray Head
7. Washer
8. Nut

KITCHEN FAUCETS WITH SPRAYERS

Assembly for Models:

FFCS-CH

FFCS-OR



KITCHEN FAUCETS WITH SPRAYERS

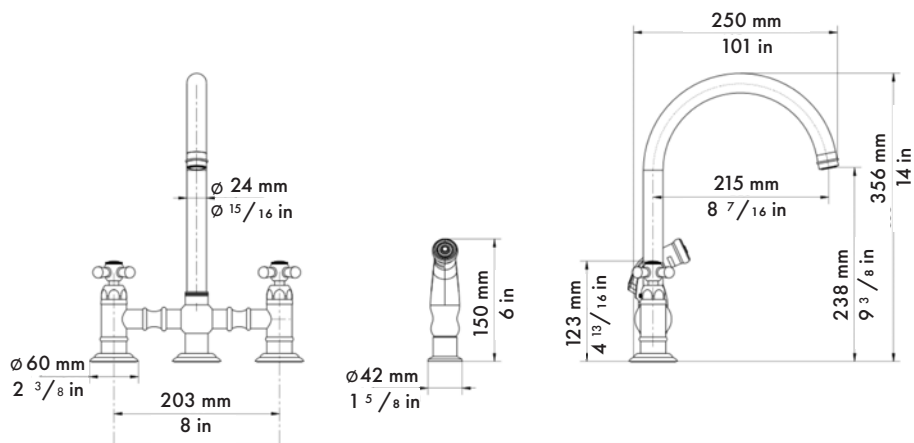
Kitchen Faucet with Sprayer Models:

FFCC-CH

FFCC-OR



Dimensions

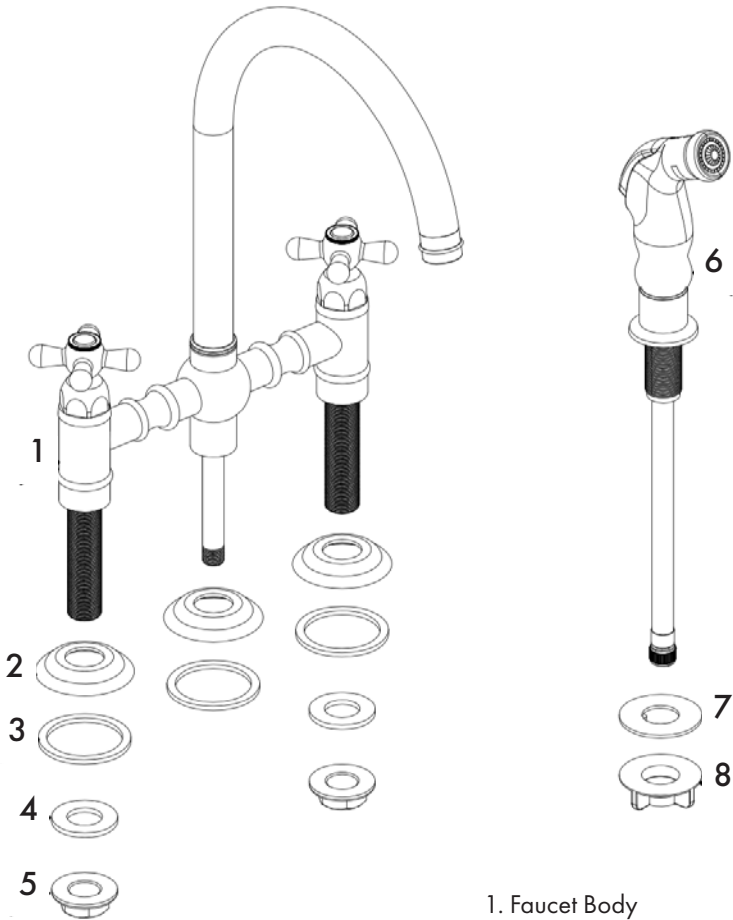


KITCHEN FAUCETS WITH SPRAYERS

Parts for Models:

FFCC-CH

FFCC-OR



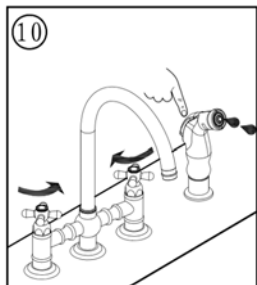
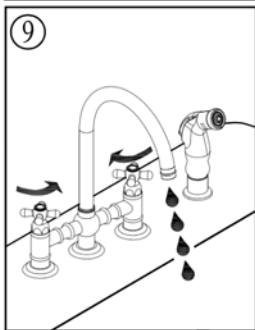
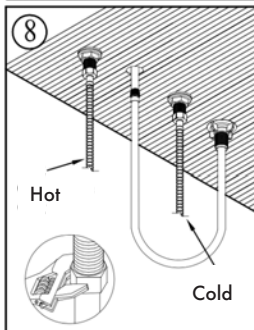
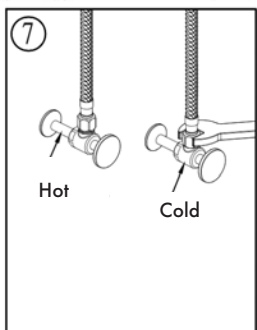
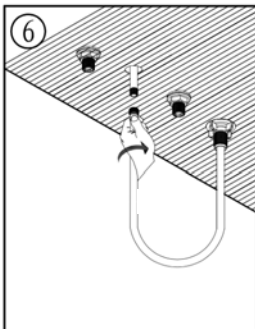
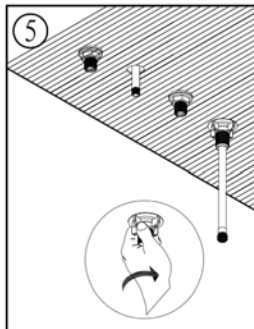
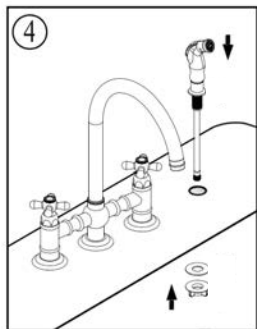
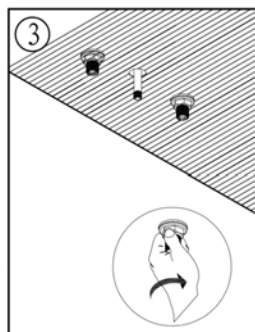
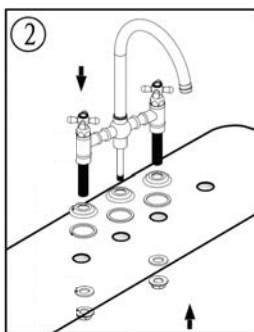
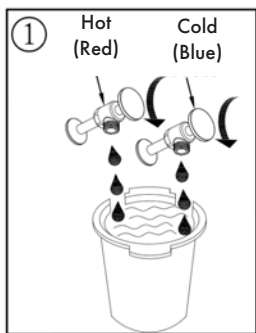
1. Faucet Body
2. Base O-Ring
3. Rubber Washer
4. Metal Washer
5. Nut
6. Spray Head
7. Washer
8. Nut

KITCHEN FAUCETS WITH SPRAYERS

Assembly for Models:

FFCC-CH

FFCC-OR



TROUBLESHOOTING

Problem	Possible Cause	Solution
There is leakage under the handle.	The locking nut has come loose.	Unscrew the lever on the handle by hand. Loosen set screw with a hex wrench. Remove the handle and unscrew trim cap by hand. Tighten locking nut with an adjustable wrench.
Water will not shut off completely.	Cartridge may be defective.	Unscrew the level on the handle by hand. Loosen set screw with a hex wrench. Remove the handle and unscrew trim cap by hand. Unscrew the locking nut with an adjustable wrench. Remove ceramic disc cartridge. Check for cracks.
There is a leak between the spray head and the hose.	The spray head may be loose or the washer is not seated correctly in the hose connection.	Tighten the spray head by hand until snug. Make sure the washer is seated correctly.



ZLINE
KITCHEN AND BATH

Two Locations:

916 Delaware Avenue
Marysville, Ohio 43040

350 Parr Circle
Reno, NV 89512

www.zlinekitchen.com

1-614-777-5004