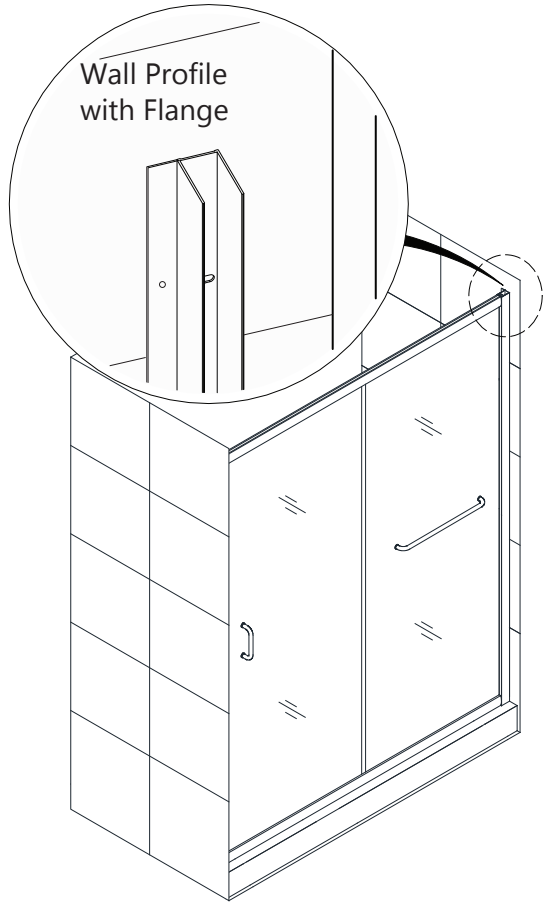
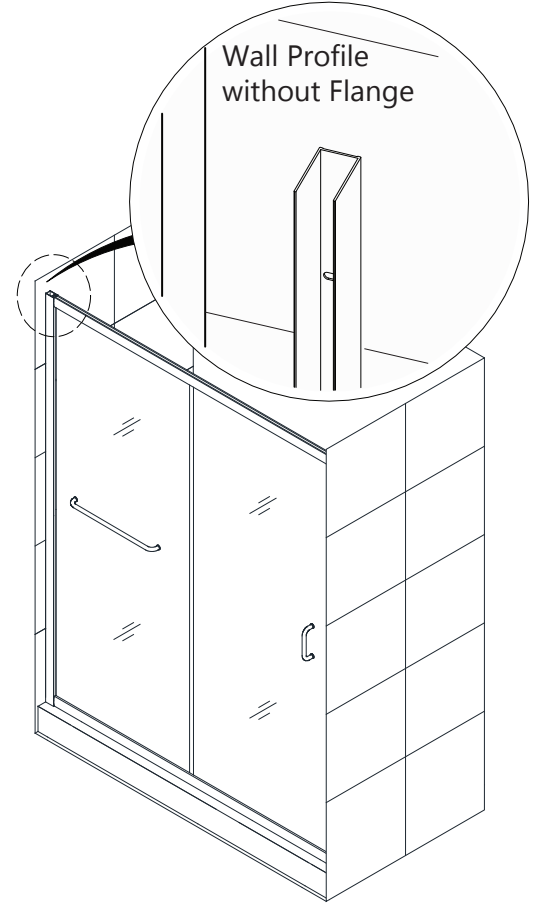


# INFINITY-Z

## SHOWER DOOR INSTALLATION INSTRUCTIONS



OR



**!** CHOOSE the APPROPRIATE MANUAL for your model version

Wall Profile WITH Flange:  
INFINITY-Z Manual Ver 4 Rev 5 062017

OR

Wall Profile WITHOUT Flange:  
INFINITY-Z Manual Ver 5 Rev 1a 032019



### Questions?

Please Call DreamLine Customer Support: **1-855-831-2126**  
Hours of Operation M-F 8AM - 7PM EST and Saturday 9AM - 5PM EST

[Support@DreamLine.com](mailto:Support@DreamLine.com)



For more information about DreamLine<sup>®</sup> products please visit [DreamLine.com](http://DreamLine.com)

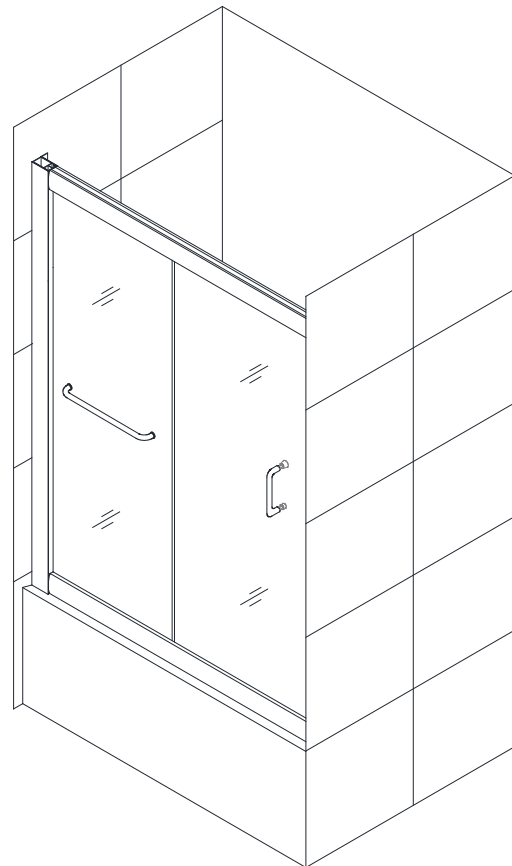
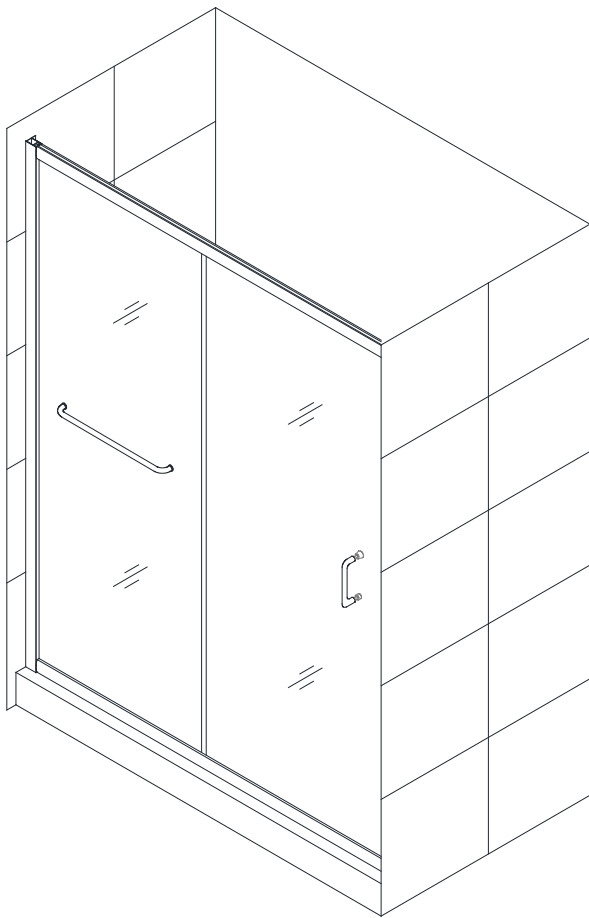
# INFINITY-Z

## SHOWER DOOR / TUB DOOR INSTALLATION INSTRUCTION

### IMPORTANT

DreamLine<sup>®</sup> reserves the right to alter, modify or redesign products at any time without prior notice. For the latest up-to-date technical drawings, manuals, warranty information or additional details please refer to your model's web page on **DreamLine.com**

MODEL #s	##=finish
SHDR-0960580-##	01-Chrome
SHDR-0948720-##	04-Brushed Nickel
SHDR-0960720-##	06-Oil Rubbed Bronze
SHDR-0954720-##	FR-Frosted Glass
SHDR-0954720-##-FR	



### Questions?

Please Call **DreamLine Customer Support: 1-855-831-2126**  
Hours of Operation M-F 8AM - 7PM EST and Saturday 9AM - 5PM EST

[Support@DreamLine.com](mailto:Support@DreamLine.com)



For more information about DreamLine<sup>®</sup> Shower Doors, Tub Doors & Enclosures, please visit **DreamLine.com**

## **Table of Contents**

<b>Section title</b>	<b>Page #</b>
Preparation	2
Tools	3
Parts List	5
Installation Steps	6-13
Wheel Assemblies	11
Vinyl Seals	12
Product maintenance	14

# Preparation

1. Prior to installation, examine all boxes and packages for shipping damage and compare the piece count with the packing slip. After opening all boxes and packages read this introduction carefully. Check that all of the necessary parts are included in the package by checking off the components on the "Detailed Diagram of Shower Door Components". If the unit has been damaged, has a finishing defect, or has missing parts, please contact our customer support department within **3 business days** of the delivery date. **Please note that DreamLine® will not replace any damaged products or missing parts free of charge after 3 business days or if the product has been installed.** Contact DreamLine® if you have any questions, and please provide an order number, job name or other proof of purchase to help identify the original order.
2. **Please note that you should consult your local building codes with questions on installation compliance standards. Building and plumbing codes may vary by location, and DreamLine® is not responsible for code compliance standards for your project and will not accept any returns.**
3. If this unit is going to be installed in a new construction, please install all of the required plumbing and drainage before installing the shower. **Use a competent and licensed (if required by local code) plumber for all plumbing installation.**
4. Please make sure that prior to beginning the installation, the surfaces are leveled and solid and will be able to support the total weight of the unit. Also make sure the walls are at right angles. Irregular installation surface level, radius corners or improper angle of side walls will result in serious problems for your installation. Note that some adjustments and drilling will be necessary during the installation process.
5. Please protect all primary surfaces of the product during installation. Never set the glass down directly onto a tile floor. Leave corner protectors in place until necessary to remove them. Always use a piece of wood or cardboard to protect the bottom edge and corners of the glass prior to and during installation.
6. This unit must be installed upon a finished threshold and against finished walls.
7. This model has 1" of adjustment per wall profile for out-of-plumb wall conditions and overall width within the model size. Confirm the finished opening conditions before proceeding with the installation.
8. This model requires a minimum of **1"** of flat threshold space for installation.
9. **Professional installation recommended.**

**NOTE:** For models with frosted glass: the textured surface must face the outside of the shower.



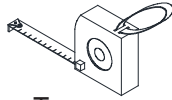
**NOTE:** This door is reversible for right or left-hand door installation. The right-hand door installation is shown as an example throughout this manual. For the left-hand door installation, flip the assembly top to bottom so that the panel is on the right side (see Step #9).

**NOTE:** This manual will describe the shower door installation. Please follow the same sequence of installation steps for the tub door installation.

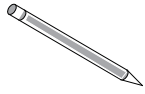
# Tools



Level



Tape Measure



Pencil



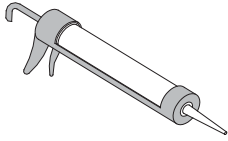
Phillips Screwdriver



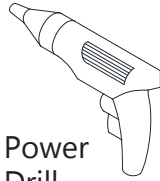
Drill bit  
( $\text{Ø}=5/16''$ )  
(D=8mm)



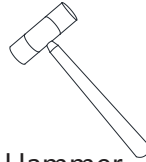
Drill bit  
( $\text{Ø}=1/8''$ )  
(D=3mm)



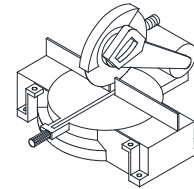
Silicone/Caulk



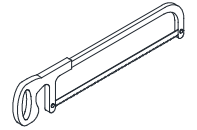
Power Drill



Hammer



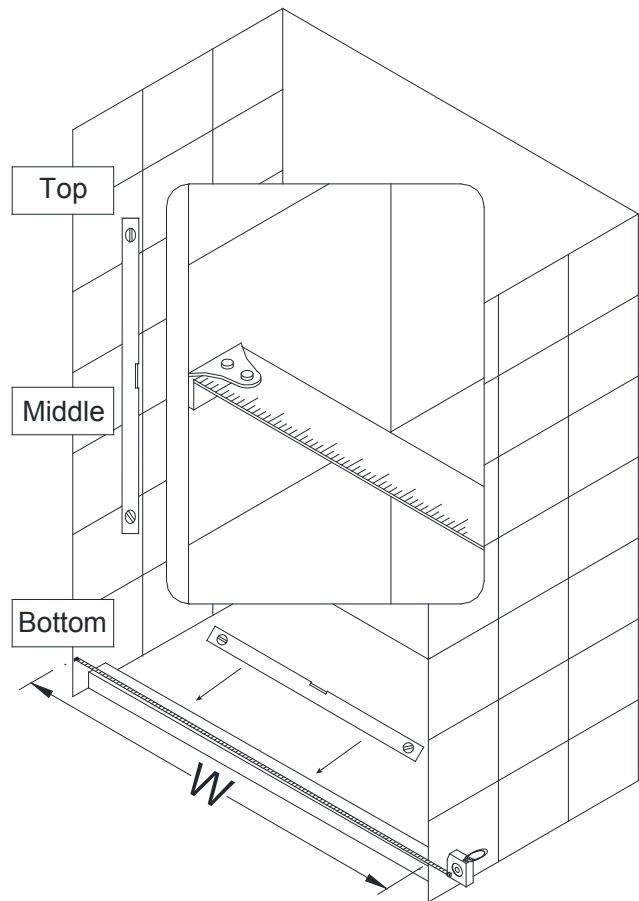
Miter saw or Hacksaw



**Tip:** Measure the finished opening before proceeding with the installation to be sure that the correct model size has been ordered.

**Tip:** Prior to installation, cover the shower/tub drain with tape to prevent losing screws or small parts.

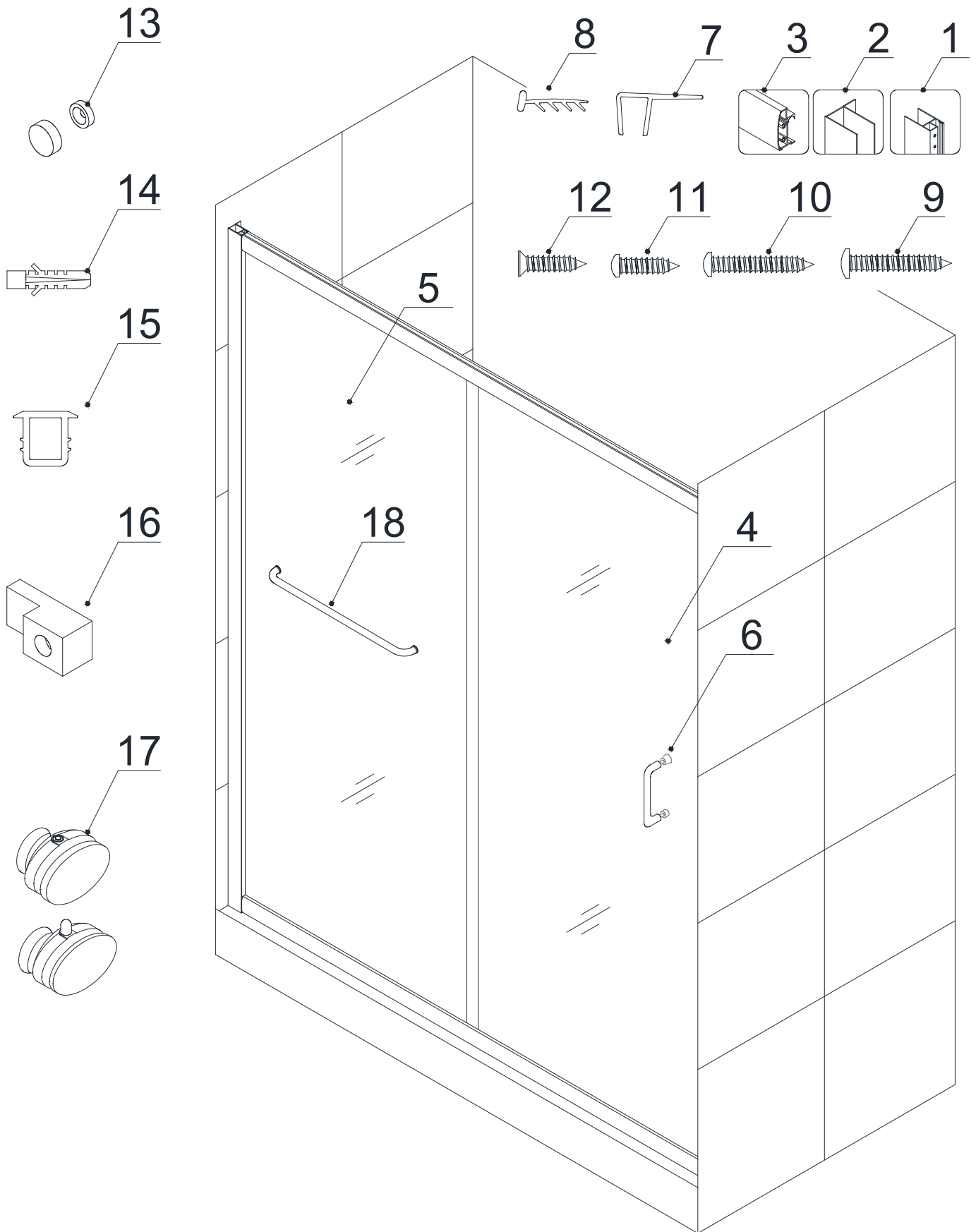
**Tip:** Set screw gun clutch to low setting when installing screws and bolts to prevent stripping the heads.



**NOTE:** Unpack your unit carefully and inspect it. Lay it out and identify all parts using the detailed diagram and packing list in this manual as a reference. Before discarding the carton, check for small hardware bags that may have fallen to the bottom of the box. If any parts are damaged or missing, please contact DreamLine® for replacement. The shipping boxes may contain extra parts not used in your model configuration.

**NOTE:** Retain these installation instructions for future reference.

# Detailed Diagram of shower door components



## Parts List

PART#	DESCRIPTION	QTY	PART#	DESCRIPTION	QTY
01	Glass profile	2pcs	10	Round head screw ST4.2x25	8pcs
02	Wall profile	2pcs	11	Round head screw ST4.2x10	4pcs
03	Guide rail (top and bottom)	2pcs	12	Flat head screw ST4.2x16	2pcs
04	Glass door	1pc	13	Decorative cover (with washer)	4pcs
05	Stationary glass	1pc	14	Wall anchor	8pcs
06	Handle	1pc	15	Seal gasket	1pc
07	Anti-water strip (2 long, 1 short)	3pcs	16	Glass holder	2pcs
08	Single side strip	1pc	17	Wheel assembly (top & bottom)	2pair
09	Truss head screw ST4.2×40	8pcs	18	Towel bar	1pc



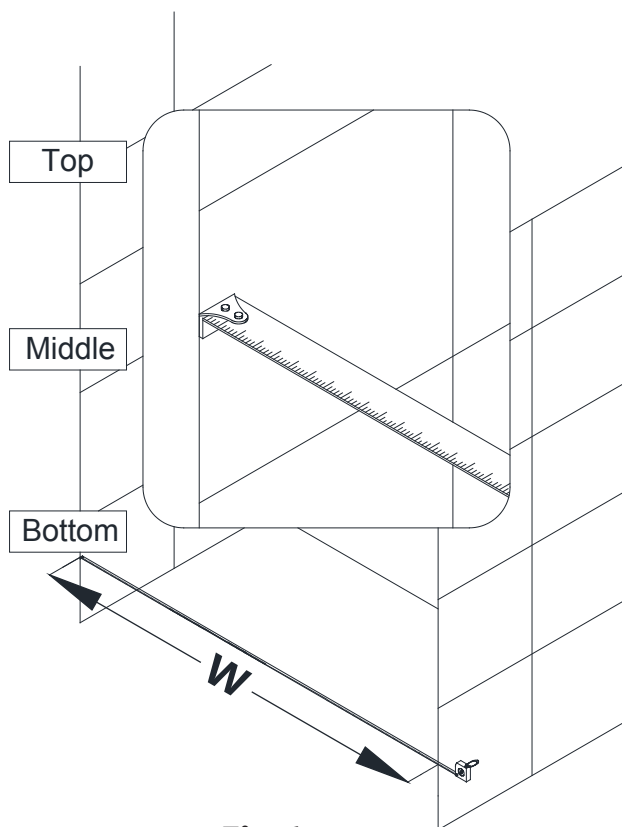
**NOTE: DO NOT** install the towel bar or handle onto the glass until instructed to do so. **DO NOT** lift the glass using the towel bar or handle. This could result in damage to the glass and/or serious personal injury. Always use an assistant or a professional grade glass suction cup when handling heavy glass.

## Installation steps

**1.** Measure the distance between the two finished walls at the top (at model height: 58" or 72"), middle and bottom. The wall profiles will adjust for out-of-plumb conditions, so **use the smallest measurement as the "finished opening"** dimension to determine the finished cut length in Step #2. **(Fig 1)**

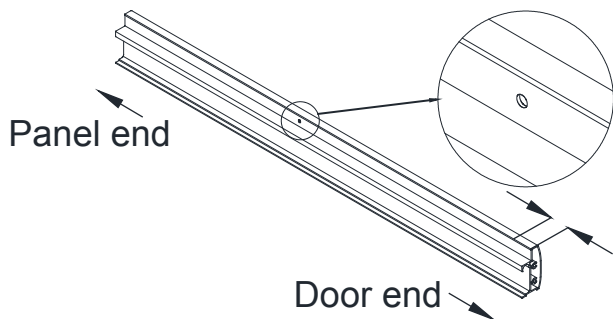
**NOTE:** The **Top and Bottom Guide Rails (#03)** are shorter than the model size by design. They have been precut for your model width and are made to fit between the wall profiles, (not wall to wall). See the table below:

Model Size	Precut Rail Length
48" (for shower)	44-5/8"
54" (for shower)	50-5/8"
60" (for shower)	56-5/8"
60" (for tub)	56-5/8"

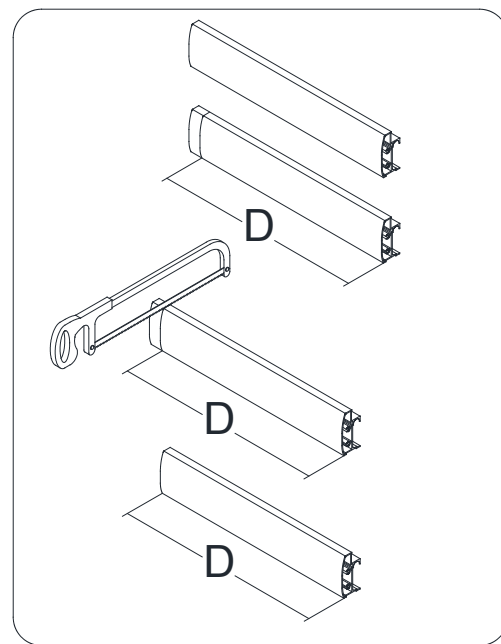


**Fig 1**

**2.** Subtract 3-3/8" from your finished opening (W) to determine the finished cut length for the **Top and Bottom Guide Rails (#03)**. Cut the **Top and Bottom Guide Rails (#03)** to the **finished cut length "D"**. **Cut from the door end only**, (which is the end farthest from the glass holder hole) and cut each rail to the same length from the same end. **(Fig 2 and Fig 3)**



**Fig 2**



**FINISHED OPENING - 3-3/8" = FINISHED CUT LENGTH "D"**

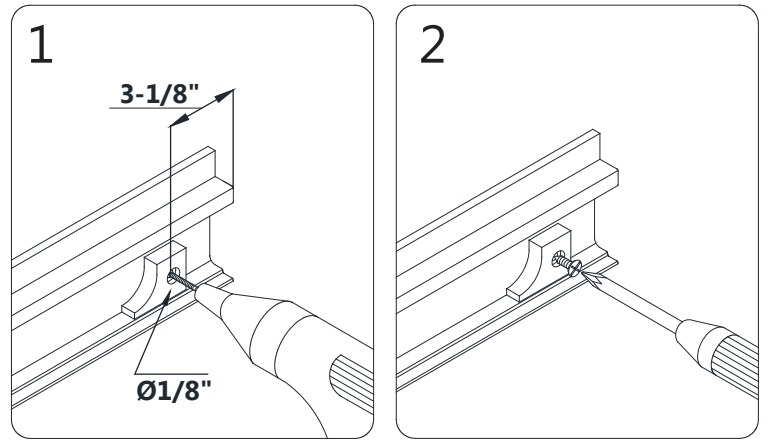
**Fig 3**

**TIP:** For easier installation into the opening, cut off an extra 1/4":  
**FINISHED OPENING (W) - 3-5/8" = FINISHED CUT LENGTH "D"**



**3.** After the **Top and Bottom Guide Rails (#03)** have been cut, you will need to re-install the roller stopper on each **Top and Bottom Guide Rails (#03)** on the end that has been cut off (the door end).

Remove the existing stopper. Mark the drilling hole at the distance of **3-1/8"** from the cut end of the **Top and Bottom Guide Rails (#03)**. Drill a new hole using a **Ø1/8"** drill bit; then re-secure the stopper with the screw. **(Fig 4) (Bottom Guide Rail shown)**

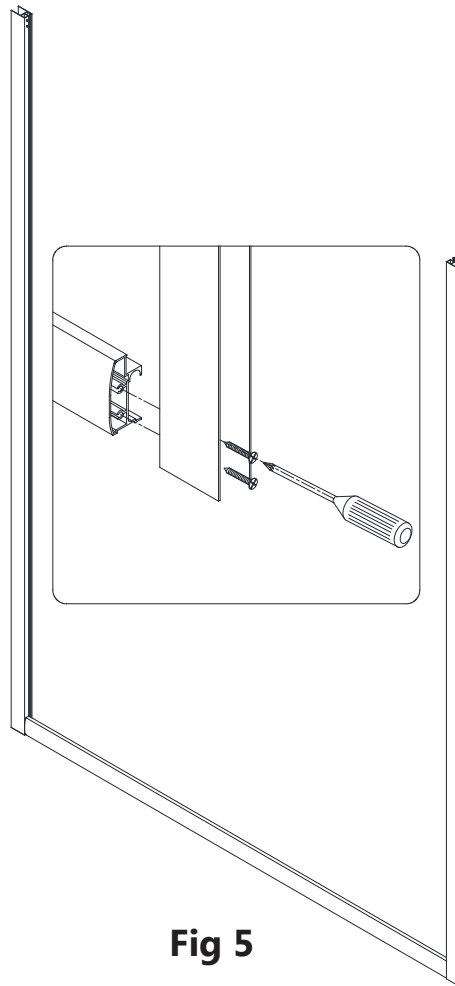


**Fig 4**



**ATTENTION:** Do Not drill the Guide Rail throughout, only through the first layer.

**4.** Secure the **Bottom Guide Rail (#03)** to the **Glass Profiles (#01)** with the **Round Head Screws ST4.2x25 (#10)**. **(Fig 5)**



**Fig 5**

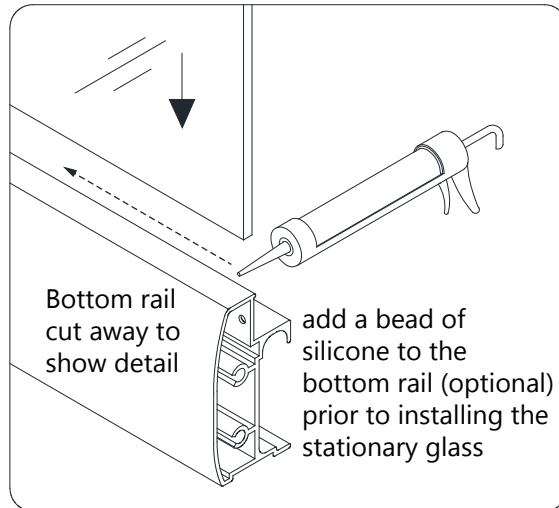


**TIP:** For ease of assembly, add some liquid soap, wax or lubricant to the screws prior to attaching the glass profiles to the guide rails. Use a low setting on your power drill to prevent stripping the screws.

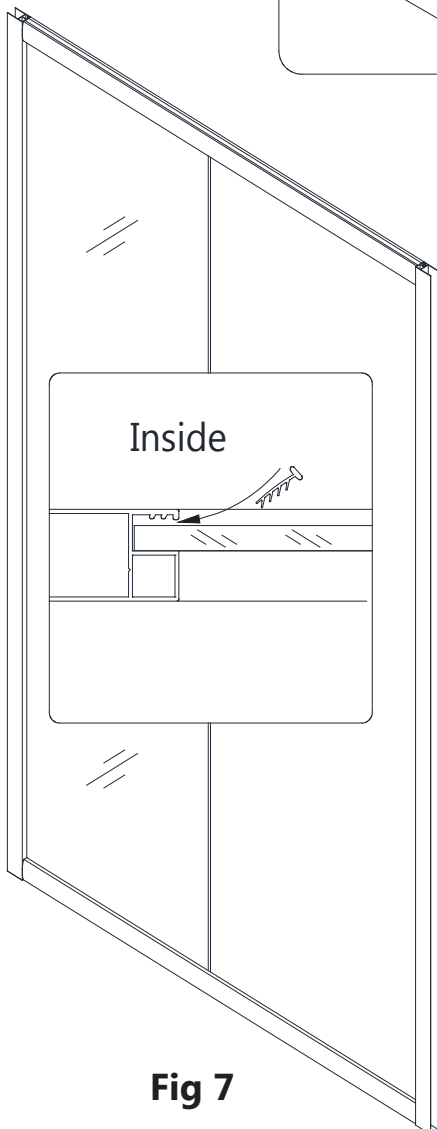
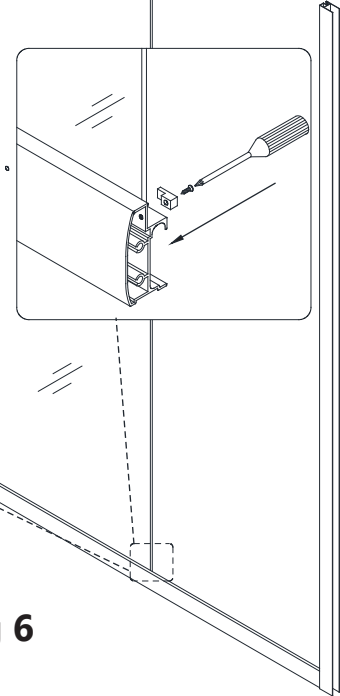
5. Slide the **Stationary Glass (#05)** fully into the groove of the **Glass Profile (#01)**, and then secure the **Glass Holder (#16)** to the **Bottom Guide Rail (#03)** with the **Flat Head Screw ST4.2x16 (#12)**. (Fig 6)



**NOTE:** Use caution when installing the stationary glass into the frame to prevent damage to the edges of the glass.



**Fig 6**



**Fig 7**

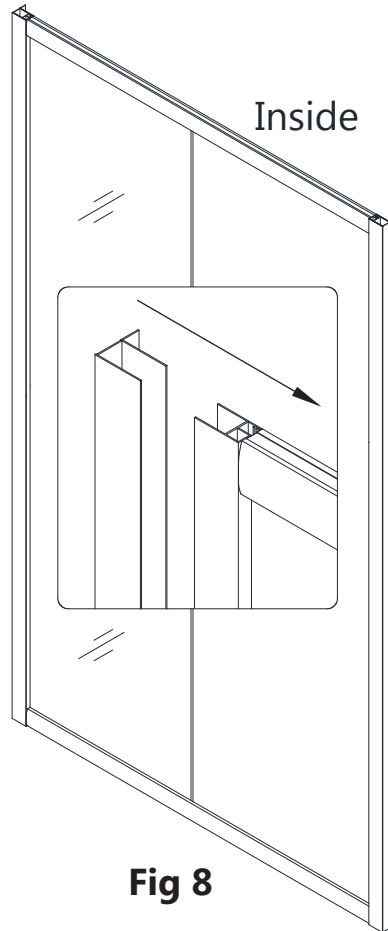
6. Starting from the bottom, insert the **Single Side Strip (#08)** into the groove between the glass and the glass profile using a wooden or plastic shim. The strip should be inserted from the side that will face inside the shower.



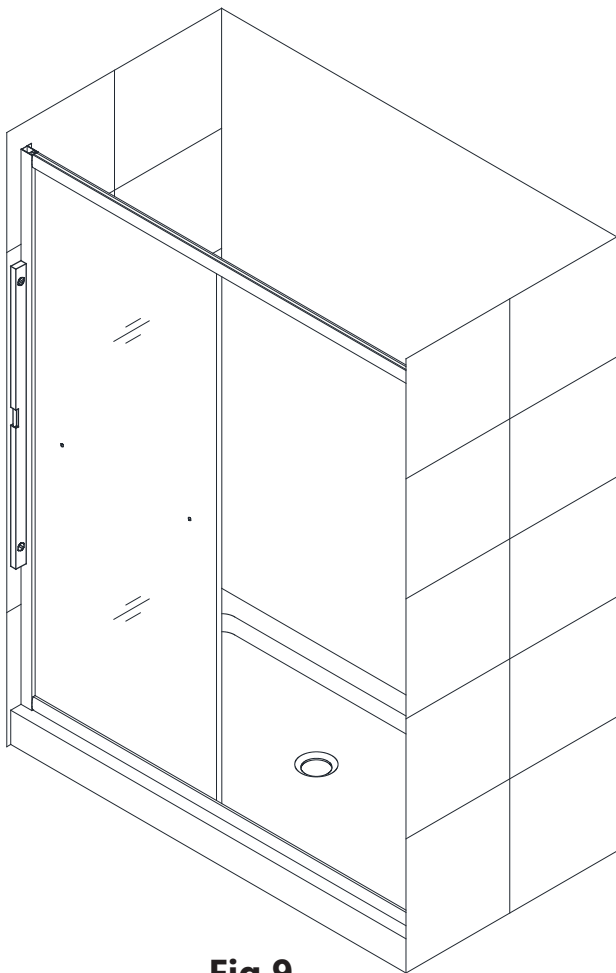
**ATTENTION:** To prevent scratching or damaging the glass and aluminum: **Do Not** use a screwdriver or other metal object to insert the **Single Side Strip (#08)**

7. Repeat Step #3, Step #4, Step #5 and Step #6 to fasten the **Top Guide Rail (#03)** to the **Glass Profiles (#01)** and secure the **Stationary Glass (#05)** with the remaining **Glass Holder (#16)** and **Flat Head Screw ST4.2 x 16 (#12)**. (Fig 7)

**8.** Slide the **Wall Profiles (#02)** all the way onto the **Glass Profiles (#01)** on both sides. Make sure the flange of the wall profile faces inside the shower. **(Fig 8)**



**Fig 8**



**Fig 9**

**9.** Move the assembled frame into the designated position on the shower base\*, bathtub or threshold (depending on your installation), and push the **Wall Profiles (#02)** tight to the walls to compensate for any out-of-plumb conditions. Push the bottom rail down tight to the threshold and adjust the frame to a vertical position. Confirm with a level before marking the holes for drilling. **(Fig 9)**

**\*NOTE:** At this step you can reverse the handing of the installation by flipping the assembly top to bottom so that the panel is on the right side.



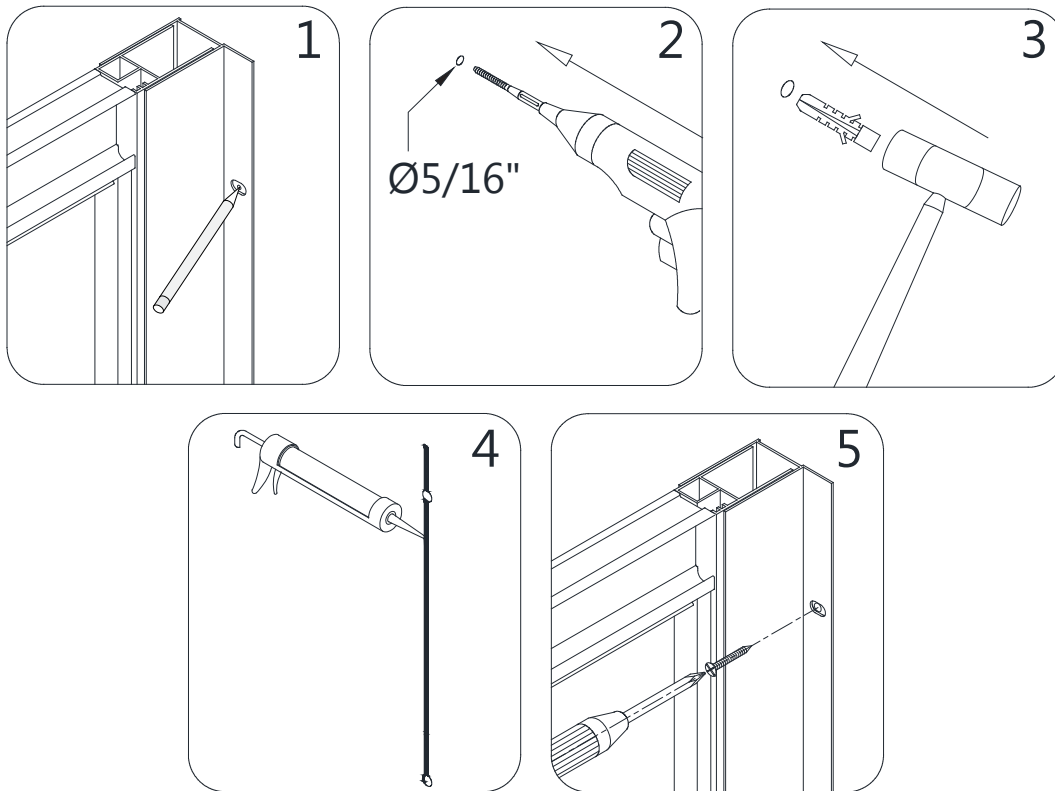
**\*NOTE:** Before installing the frame assembly, put the Door Glass into the shower area and lean it against the wall with the handle holes on the correct side for the installation.

After the frame assembly and panel glass are installed, it may not be possible to easily get the door glass into the shower. Always use padding to protect the glass and shower surfaces.

**10.** Use a helper to hold the assembly in position and mark the drill holes on the wall through the holes on the flange of the **Wall Profiles (#02)**.

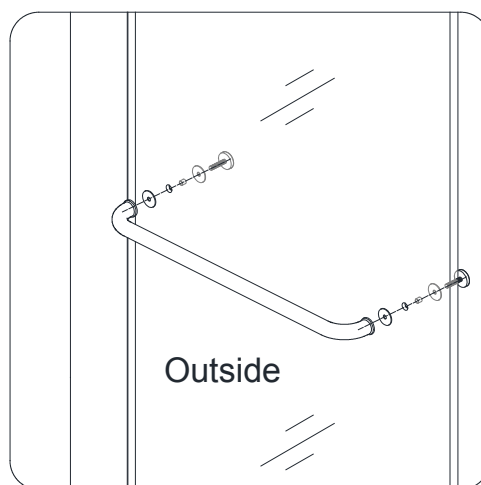
Gently set the assembled unit aside; drill the holes using a **Ø5/16"** drill bit and insert the **Wall Anchors (#14)**.

Apply silicone along the **Wall Profile (#02)** and around the holes on the wall. Also apply silicone caulk under the **Bottom Guide Rail (#03)**. Place the entire shower assembly back into the designated position and secure it to the walls using the **Truss Head Screws ST4.2×40 (#09)**. (**Fig 10**)



**Fig 10**

**11.** Attach the **Towel Bar (#18)** to the outside of the **Stationary Glass (#05)**. (**Fig 11**)



**Fig 11**

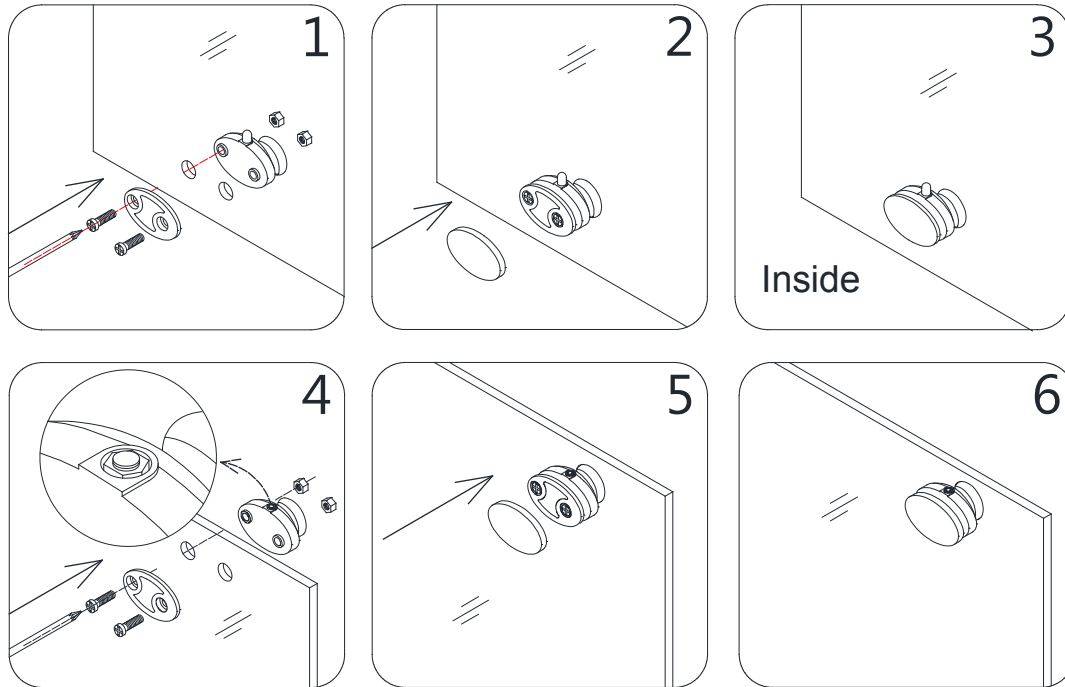


**NOTE:** Towel Bar must be installed on the outside of the Stationary Glass.

**12.** Fasten the top and the bottom **Wheel Assemblies (#17)** to the **Door Glass (#04)**. The top wheels can adjust the door level using the adjustable bolt and lock nut. The bottom wheel has a press button to fix the wheel onto the **Bottom Guide Rail (#03)**. **The wheels must face towards the outside of the shower.** Be sure that the handle holes are on the correct side for the installation. **(Fig 12)**

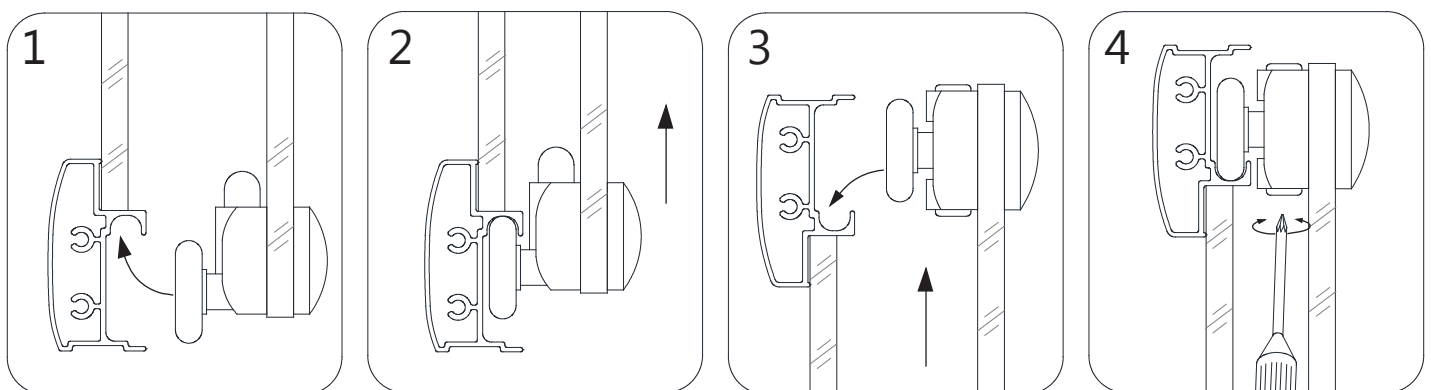
**NOTE:** The lock nut of the upper wheel (Fig 12.4) and the press button of the bottom wheel (Fig 12.1) should be pointing up.

**⚠ NOTE: Do not overtighten the wheels.**



**Fig 12**

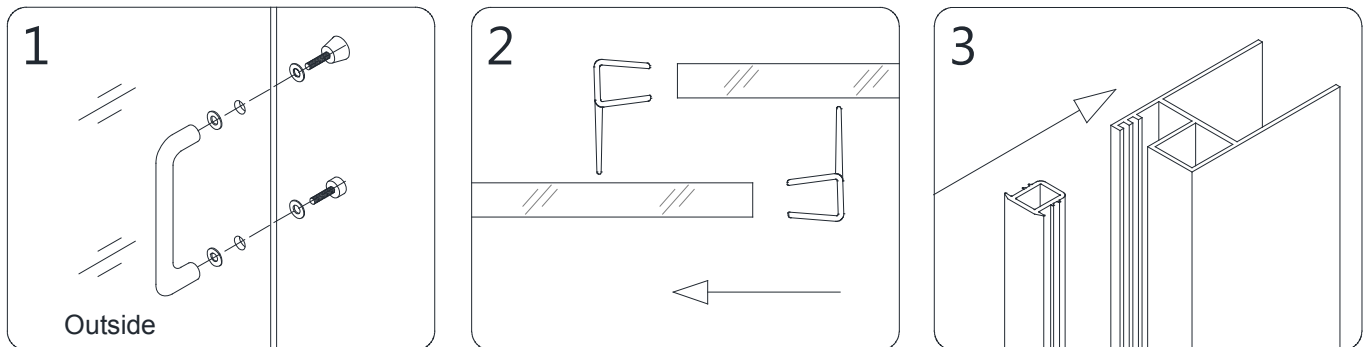
**13.** From inside of the shower, insert the bottom **Wheel Assemblies (#17)** into the **Bottom Guide Rail (#03)**, lift the door up and snap the top **Wheel Assemblies (#17)** into the **Top Guide Rail (#03)**. Test the operation of the door, and if necessary, use a #2 Phillips screwdriver (**do not use a power screwdriver**) to adjust the upper wheels so the door rolls smoothly and the closes tight. **(Fig 13)**



**Fig 13**

**14.** Install the **Handle (#06)** to the **Door Glass (#04)**.

Press the **Anti-Water Strips (#07)** onto the vertical edges of the **Stationary Glass (#05)** and both vertical edges of the **Door Glass (#04)**. Insert the **Seal Gasket (#15)** into the **Glass Profile (#01)** starting from the bottom (Fig. 14.3). **(Fig 14)**



**Fig 14**

**TIP:** The longer **Anti-Water Strips (#07)** attach to the edges of the **Door Glass (#04)** and the shorter strip attaches to the edge of the **Stationary Glass (#05)**.

**15.** Perform the final adjustments of the assembled unit in the **Wall Profiles (#02)** making sure that the bottom rail is tight to the threshold.

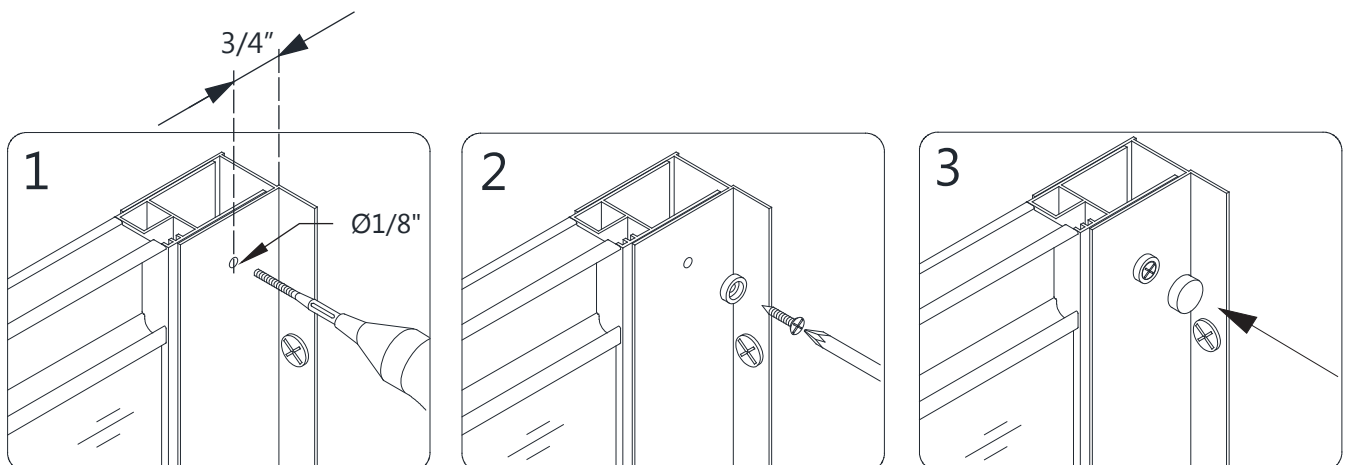
Drill the holes in the center of the **Wall Profile (#02)** into the **Glass Profile (#01)** using a **Ø1/8"** drill bit. **(Fig 15)**



**ATTENTION: Do Not** drill the profiles throughout, **only through the first layer of the wall and glass profiles.**

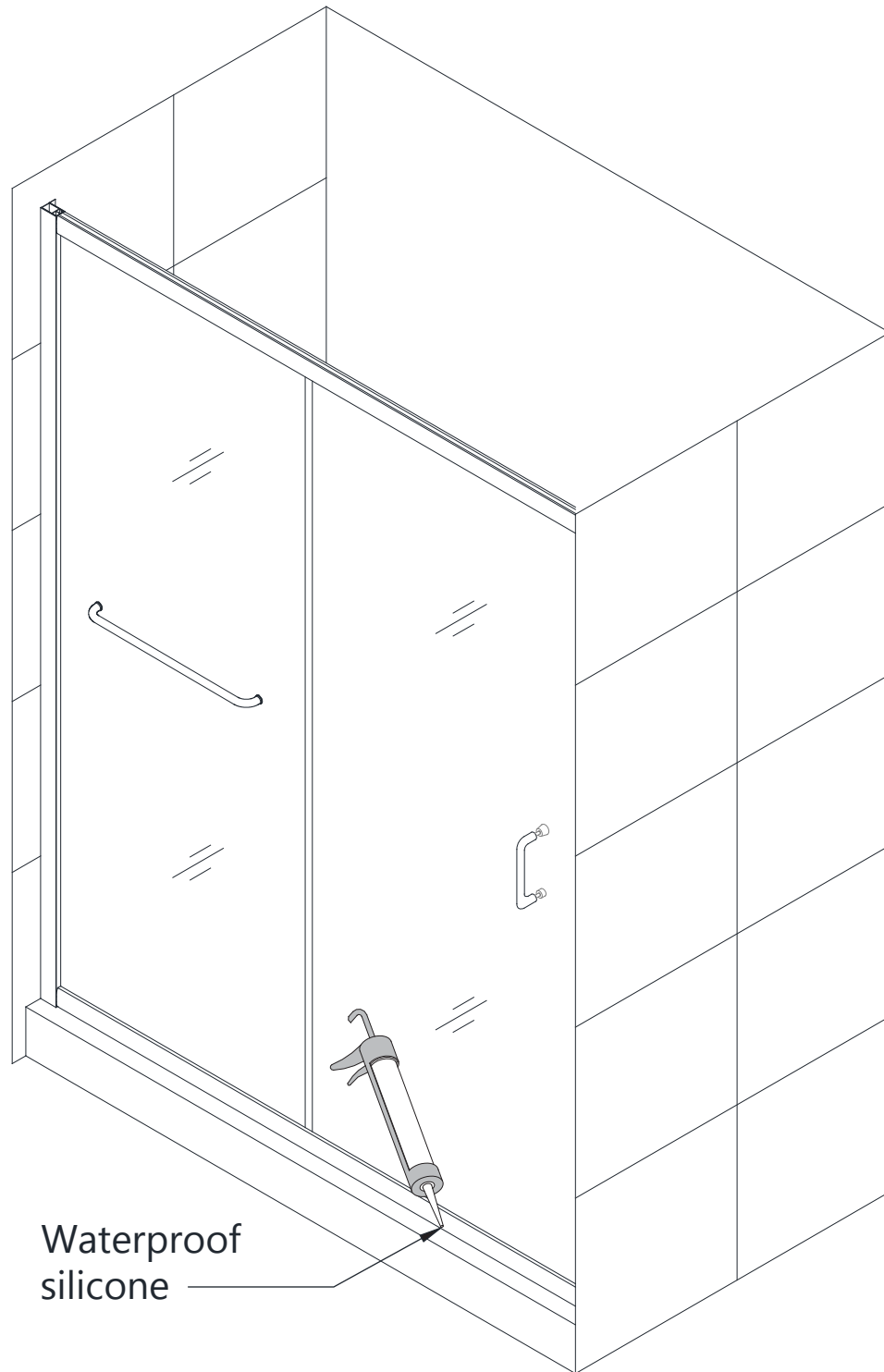
Secure the **Wall Profile (#02)** to the **Glass Profile (#01)** using the **Round Head Screws ST4.2×10 (#11)** and raised white washers.

Cover the exposed screw heads with the **Decorative Covers (#13)**.



**Fig 15**

**16.** Apply good quality mildew-resistant silicone along the profiles and guide rails; on the seams between the bottom guide rail and the profiles as well as along the shower base or threshold. Allow 24 hours for the silicone to cure before using the shower. **(Fig 16)**



**Fig 16**

## Product Maintenance

**BASES and BACKWALLS:** To ensure long-lasting life for your acrylic back walls, wipe them off after each use with a soft cloth. To clean the acrylic back walls use non-abrasive sprays or cream based cleaners. Avoid the use of aerosol spray cleaners. Never use abrasive cleansers, metal brushes or scrapers that could scratch or dull the surface.

**GLASS:** To ensure long-lasting life for your glass shower products, wipe them off after each use with a soft cloth. Rinse and wipe off the glass using either a soft cloth or a squeegee to prevent soap buildup and water spots (Hard water can etch the surface of the glass over time if left to dry). To prevent scratching the surface: never use abrasive cleaners or cleaning products that contain scouring agents. Never use bristle brushes or abrasive sponges that may scratch the surface.

**HARDWARE:** To ensure a long-lasting finish, wipe off the metal parts after each use with a soft cloth. Do not use abrasive cleaners or cleaning products containing ammonia, bleach or acid. If accidentally used, rinse the surface as soon as possible to prevent damage to the finish (peeling or corrosion). After cleaning the polished finishes, rinse thoroughly and wipe dry with soft cloth. Clean stainless steel surfaces at least once a week. When applying stainless steel cleaner or polish to stainless steel hardware, work with (not across) the grain. Never use an abrasive sponge or cloth, steel wool or wired brush as these may permanently scratch the surfaces.

**NOTE: To maximize the life of your door, it is important to regularly inspect the glass and all hardware for misalignment, proper attachment, and/or damage. Contact DreamLine® with any questions or concerns.**

**DreamLine® shower doors and enclosures are designed not to leak when installed properly and the flow of water is not pointed directly at the vinyl seals.**





**DREAMLINE**<sup>®</sup>  
THE ULTIMATE SHOWER DOOR

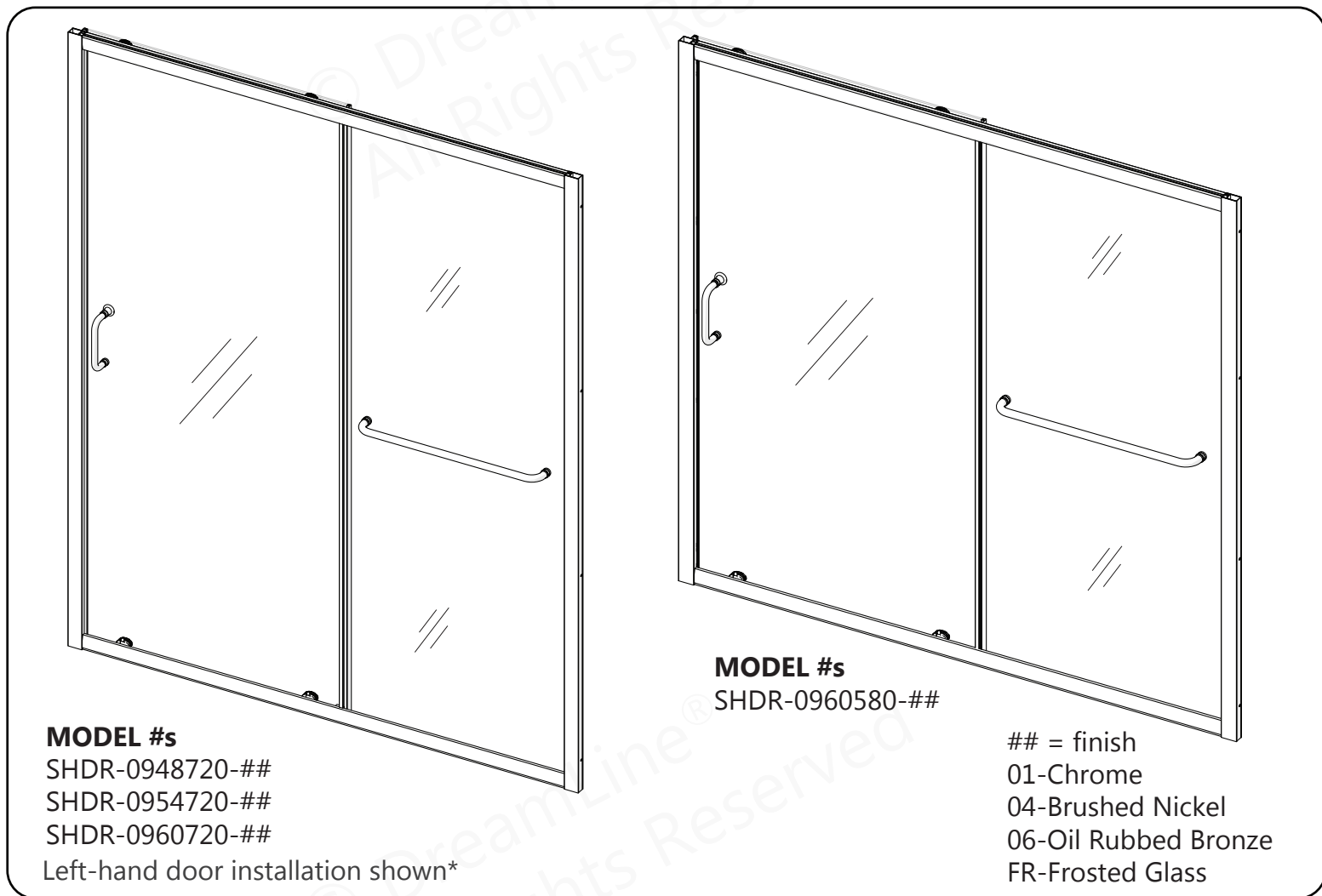
TEL: 866-731-2244  
FAX: 866-857-3638  
DREAMLINE.COM

For more information on DreamLine<sup>®</sup> Shower Doors and Enclosures please visit **DreamLine.com**

# INFINITY-Z

## SHOWER AND TUB DOOR INSTALLATION INSTRUCTIONS

PLEASE REVIEW THIS ENTIRE MANUAL PRIOR TO INSTALLATION



**IMPORTANT!**

DreamLine® reserves the right to alter, modify or redesign products at any time without prior notice for the purpose of product improvement and customer experience. Please refer to the model's web page on **DreamLine.com** for the latest technical drawings, installation manuals, warranty information or additional product details.

**Do Not Return Product to the Store. Contact DreamLine® with any questions**



**Questions?**

Please Call **DreamLine** Customer Support: **1-855-831-2126**  
Hours of Operation M-F 8AM - 7PM EST and Saturday 9AM - 5PM EST

**Support@DreamLine.com**



© DreamLine®  
All Rights Reserved

© DreamLine®  
All Rights Reserved

Record the following purchase information for your records or in the event you need to contact DreamLine®:

Purchase Order  
Number \_\_\_\_\_

Store/Vendor  
Purchased From \_\_\_\_\_

Installation Date \_\_\_\_\_

OD Number  
(optional) \_\_\_\_\_  
\*found on the shipping box or label  
if available.

Installed By: \_\_\_\_\_

SKU Number \_\_\_\_\_

# Table of Contents

Section Title	Page #
General Preparations and Warnings	2
Model Specific Preparation	3
Adjustable Wall Profile System	4
Tools	5
Detailed Diagram of Shower Door Components	6
Parts List	7-8
Installation Steps	9-24
Top and Bottom Roller Assembly Installation	19-20
Handle and Vinyl(s) Installation	22
Decorative Cover with Washer Installation	23
Product Maintenance	25
Troubleshooting	26
Factory Parts Information	27-33

## Symbol Legend



**TIP** - for ease of installation.



**CORRECT** - recommended.



**NOTE** - take note of special feature; additional information.

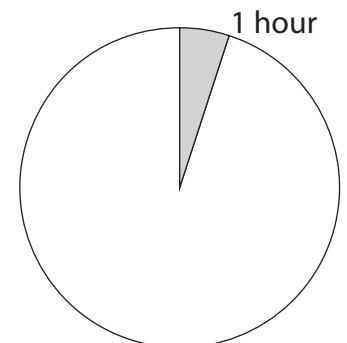


**INCORRECT** - not recommended.



**REQUIRED** - requires special attention; signifies a warning.

Average Installation Time





#### IMPORTANT

- DreamLine® reserves the right to alter, modify or redesign products any time without prior notice for product improvement and customer experience. Please refer to the model's web page on **DreamLine.com** for the latest technical drawings, installation manuals, warranty information or additional product details.
- This product should be installed by someone familiar with the construction requirements for this type of project and the care necessary for the safe installation and operation of the product.
- The safety of any installation is the responsibility of the installer.
- Professional installation required. (*Enigma Series*)
- Professional installation recommended. (*All models*)
- To prevent damage or serious injury, Do Not lean against the installed panel/door/glass.
- To prevent damage or serious injury: Do Not attempt to lift or move a heavy lite of glass alone. Use an assistant and/or a professional grade glass suction cup.
- The installation of some models may require drilling down into the threshold. Contact the manufacturer of the base, tub, or threshold material with any questions regarding the drilling of holes into their product.
- All drawings in this installation manual are for illustrative purposes only and are not drawn to scale.

#### TEMPERED GLASS WARNING

- Your Shower Door Glass Could Shatter Without Warning if Improperly Installed or Mishandled
- Do Not install or operate a shower door if the glass has chipped corners, slivered edges or is otherwise damaged and/or has been dropped or banged into a hard surface such as tile, marble or glass.
- **The main causes of tempered glass breakage are:**
  - Improper handling, storage or installation
  - Misuse/abuse
  - Lack of maintenance
  - Failure to replace damaged glass
  - **Improper handling during storage, unpacking and installation:**
  - Corners and edges are the most susceptible area to damage on a lite of tempered glass and should be protected and handled with care during storage, unpacking, installation and operation. A concentrated point of pressure or impact with a surface harder than itself may cause the tempered glass to shatter. The tempered glass may release immediately, within several hours or even days later.
  - **Incorrect installation of door hardware, rollers, hinges, channels, stopper or glass:**
  - Improper installation may include: loose hardware and/or lack of proper gaskets between the hardware and glass. Additionally, improper alignment of guide rails, wall profiles or other hardware during installation or operation may place stress on the glass edges and cause it to break.
  - This product must be installed by a professional and experienced installer familiar with the safe handling of tempered glass.
  - **Improper use of this product:**
  - Aggressively opening or closing the door may cause trauma to the glass, which can lead to breakage. This may occur immediately or hours or even days later.
  - **The shower door hardware and glass should be inspected periodically:**
    - Instruct the homeowner how to perform a periodic inspection of the shower hardware and glass - some minor adjustments may be necessary based upon the use (or misuse) of the shower door. Ensure that the hardware remains tight and that the door alignment and operation are correct. Any adjustments should be made upon discovery to prevent damage to the product.
    - Additional considerations should be given to the installation of frameless tempered glass products in households with young children or an elderly person due to an increased chance of improper handling. In such cases, alternatives such as shower curtains or grab bars should be considered.

#### GENERAL PREPARATION

- After opening all boxes and packages, read this introduction carefully. Check that all the items are included in the package by marking off the components on the “**Detailed Diagram of Product Components**” page. Examine all boxes and packages for shipping damage. If the unit has been damaged, has a finishing defect, or is missing parts; please contact our Customer Support department within 3 business days of the delivery date. **Please note that DreamLine® will not replace any damaged products or missing parts free of charge after 3 business days or if the product has been installed.** Please contact DreamLine® if you have any questions.
- **Please note that you should refer to your local building codes with questions on installation compliance standards. Building and plumbing codes may vary by location, and DreamLine® is not responsible for code compliance standards for your project and will not accept any returns.**
- If this unit is going to be installed in a new construction, install all the required plumbing and drainage before installing the shower. **Use a competent and licensed (if required by local code) plumber for all plumbing installation.**
- Make sure that prior to beginning the installation, the surfaces are leveled and solid and will be able to support the total weight of the unit. Also make sure the walls are at right angles. Irregular installation surface level, radius corners or improper angle of side walls will result in serious problems for your installation. Please note that some adjustments and drilling will be necessary during the installation process.
- Protect all primary surfaces of the product during installation. Never set your glass down directly onto a tile floor. Leave corner protectors in place until it is necessary to remove them. Always use a piece of wood or cardboard to protect the bottom edge and corners of the glass prior to and during installation.
- This unit must be installed upon a finished threshold and against finished walls.
- *DreamLine® shower doors are not designed to be installed into a fiberglass surround due to the radius corners and lack of a solid surface to mount the hardware.*

#### WARNING: TO AVOID THE RISK OF DAMAGE OR INJURY:

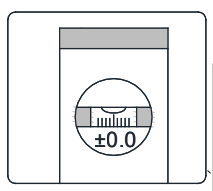
- **Follow all recommendations and requirements as shown in the installation instructions.**
- Perform a thorough inspection of the glass and all parts for any damage prior to installation. Any damage to tempered glass can cause breakage.  
**Do Not install damaged glass!**
- Do Not install or operate a shower or tub door if the glass has chipped corners, slivered edges or is otherwise damaged. Do Not install or operate a shower or tub door that has been dropped or banged into a hard surface such as tile, marble or glass.
- **CAUTION:** Contact with any hard surface can damage tempered glass and cause it to shatter.
- This product uses tempered glass. Glass cannot be cut after it has been tempered.  
**Do Not attempt to cut tempered glass.**
- DreamLine® Glass Shower doors, Tub doors, Inline panels, and Return panels can shatter due to improper handling or lack of maintenance. Conduct periodic inspections of glass and all parts for possible damage, missing or loose parts.
- Always wear proper safety equipment such as: safety goggles, work gloves and appropriate footwear during the installation process.
- **WARNING. Risk of leakage and/or damage.** Follow all instructions regarding the application of silicone sealant or caulk. Allow 24 hours for the sealant to cure before the initial use of the shower or tub product. Follow the silicone manufacturer's recommendations regarding the use of their product.
- **Thoroughly read these instructions before installing or using this product.**
- **Leave this manual for the end-user of the product.**



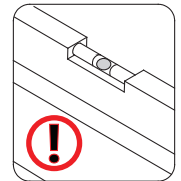
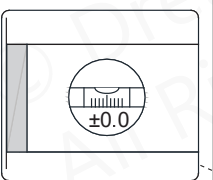
This product should be installed by someone familiar with the construction requirements for this type of product and the care necessary for the safe installation and operation of the product.

# Model Specific Preparation

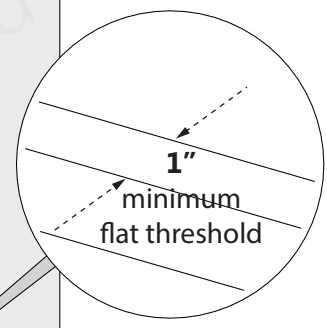
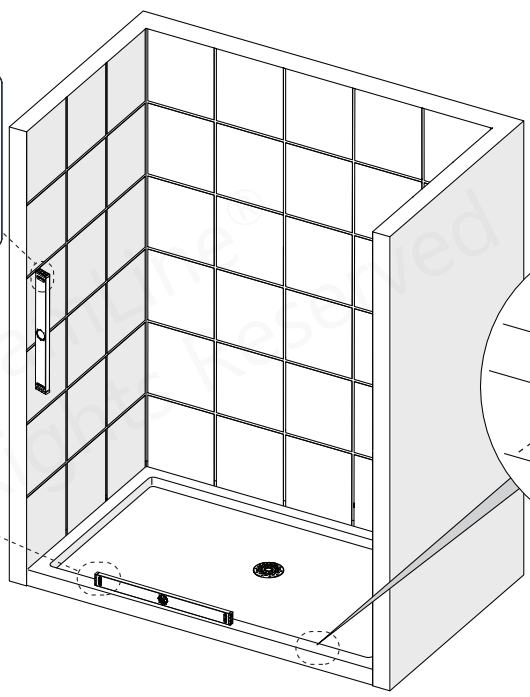
**1" Out-of-Plumb Adjustment; Verify threshold and walls with a level**



**Threshold must be level**

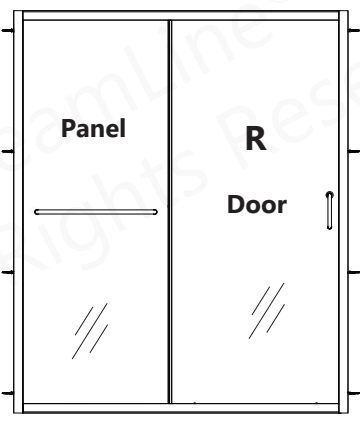
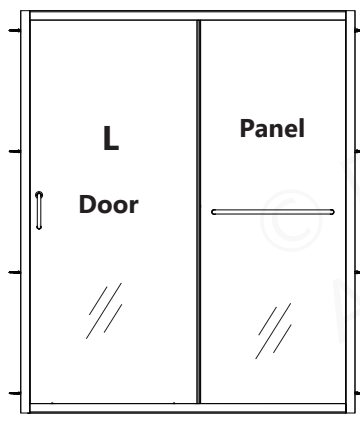
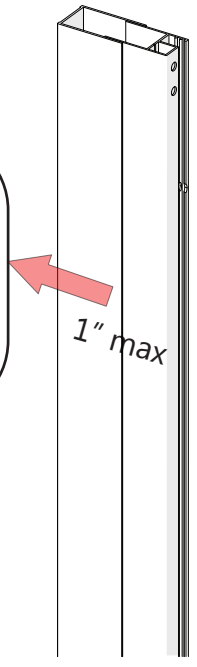


Threshold must be level



**DO NOT** attach the handle and/or towel bar to the glass until instructed to do so. **DO NOT** attempt to use the handle/towel bar to lift the glass during installation. This may result in damage to the glass and/or serious injury. Always use a professional grade glass suction cup and an assistant.

This model has a 1" adjustment wall profile system for Out-of-Plumb wall conditions and overall width within model size when placed into finished opening. For more information, see the Adjustment Wall Profile System on page 4.



**NOTE**

For models with **Frosted** glass, install the textured (Frosted) surface facing **towards** the **outside** of the shower.



**This door is reversible for right or left-hand door installation. The left-hand door installation is shown as an example throughout this manual. For the right-hand door installation, flip the assembly from top to bottom so that the panel is on the right side.**

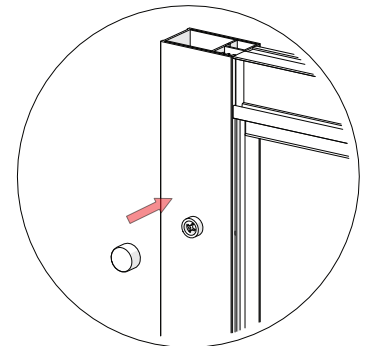
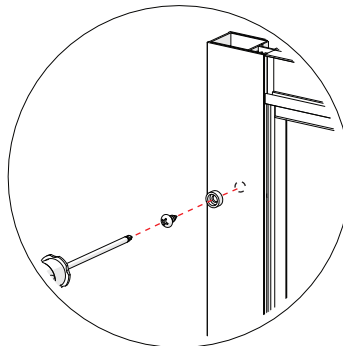
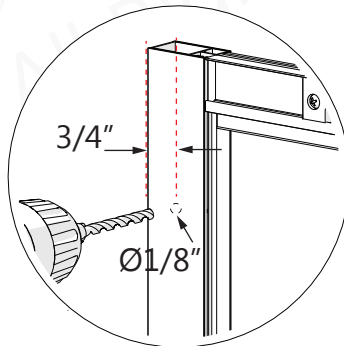
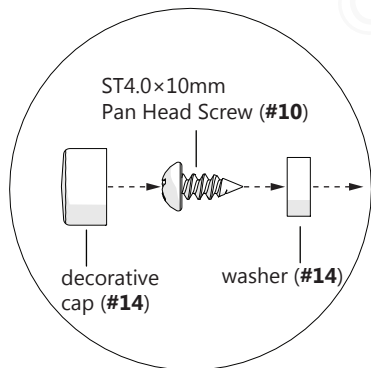
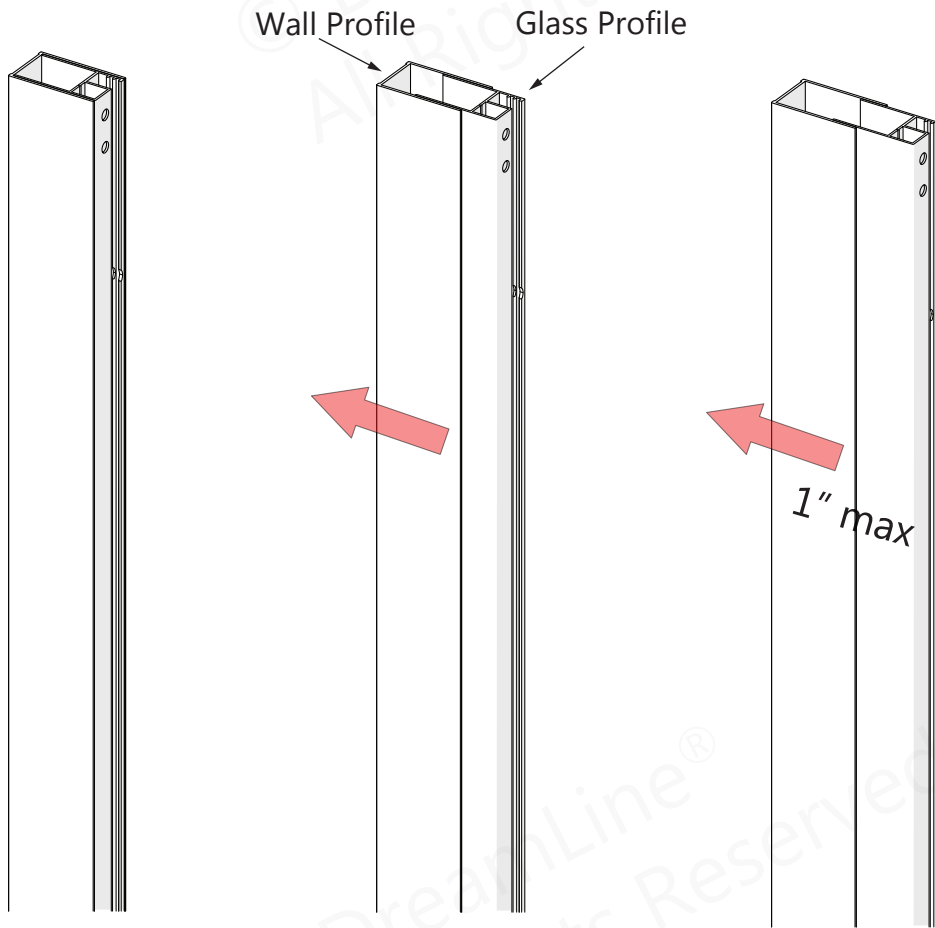
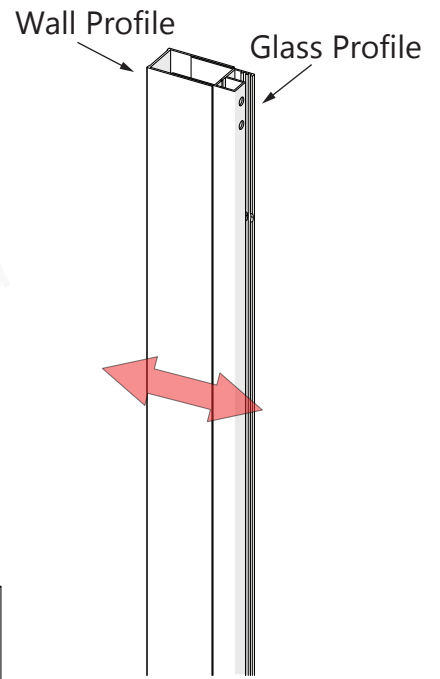


**Professional Installation recommended.**

# Adjustable Wall Profile System



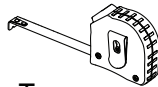
The Glass Profiles can be adjusted within the Wall Profiles for overall width or to correct for out-of-plumb conditions within the model size. Screw them together after making final adjustments.



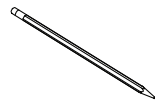
# Tools



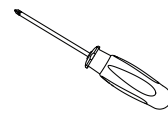
Level



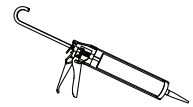
Tape Measure



Pencil



Phillips Screwdriver



Silicone



Drill Bit  
Ø5/16"  
(8mm)



Drill Bit  
Ø3/16"  
(4mm)



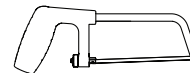
Drill Bit  
Ø1/8"  
(3mm)



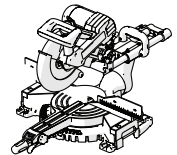
Power Drill



Soft Head Hammer



Hacksaw



Mitre Saw



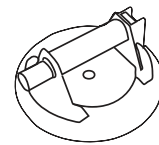
Safety Glasses



Work Gloves



Extender Driver Bit



Professional-grade  
Glass suction cup



To be sure that the correct model size has been ordered, measure the finished opening before proceeding with the installation.



Cover the shower/tub drain with tape prior to installation to prevent the loss of screws or small parts.



To prevent stripping the screw heads, set power drill to a low setting when installing screws.



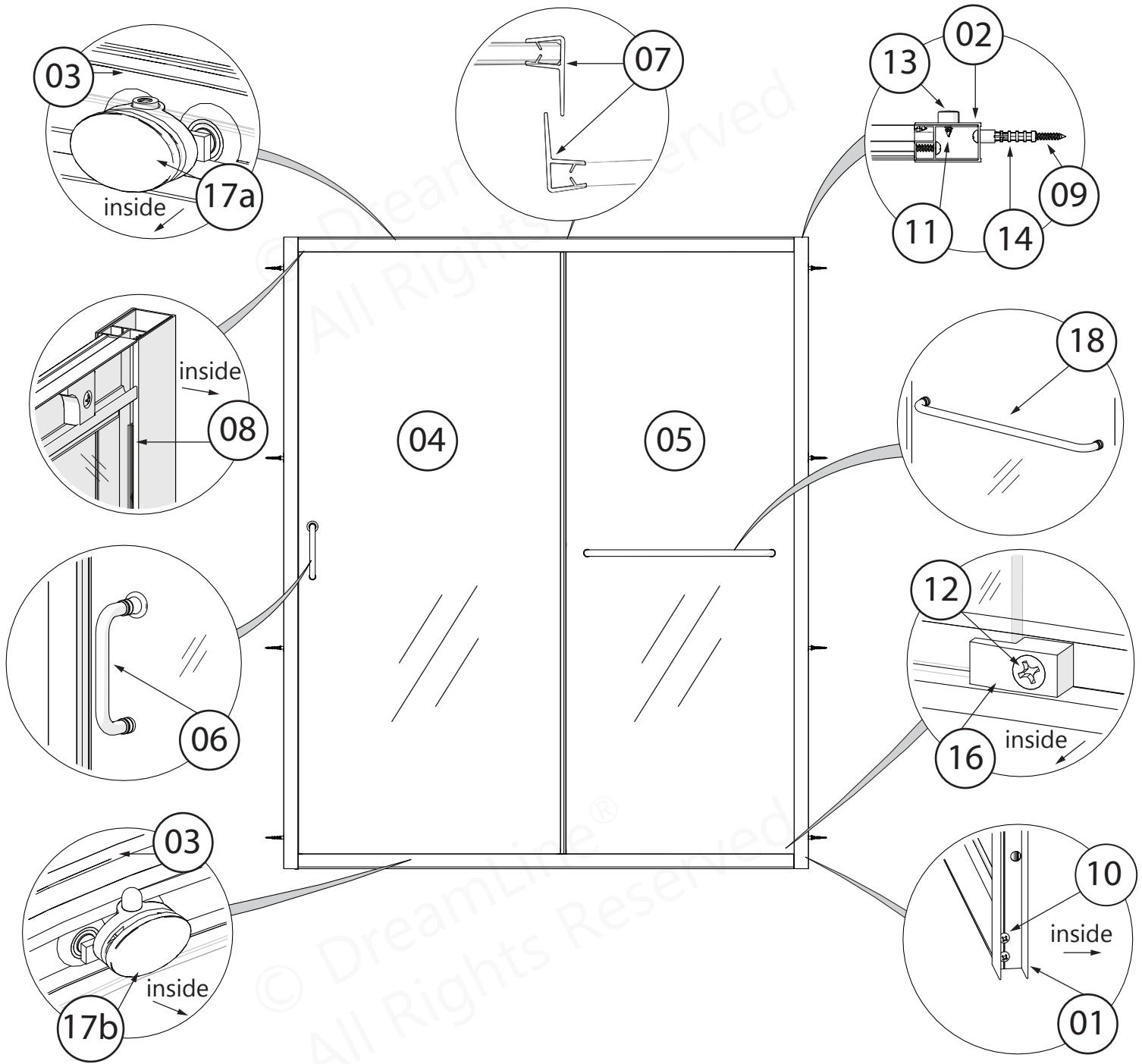
Unpack your unit carefully and inspect it. Lay it out and identify all parts using the **Detailed Diagram** on **page 6** and the included packing list in this manual as a reference. Before discarding the carton, check for small hardware bags that may have fallen to the bottom of the box. If any parts are damaged or missing, please contact DreamLine® for replacement. The shipping boxes may contain extra parts not used in your model configuration.



Retain these installation instructions for future reference.

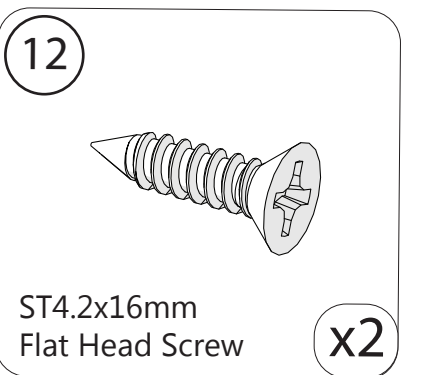
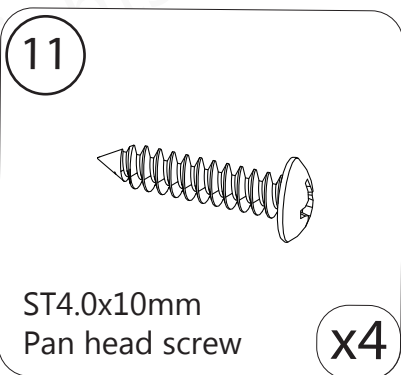
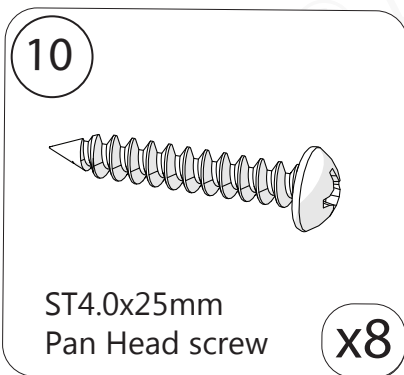
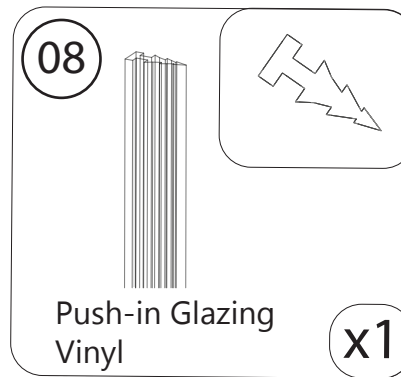
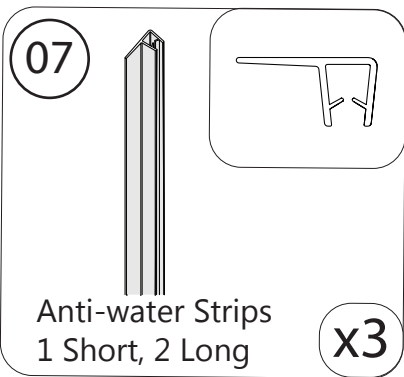
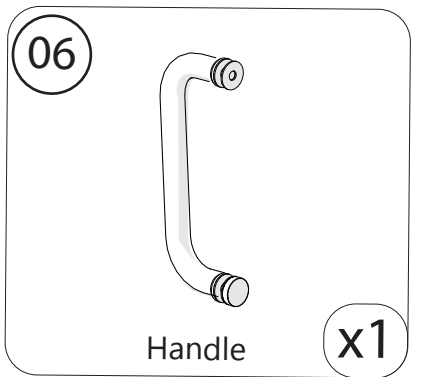
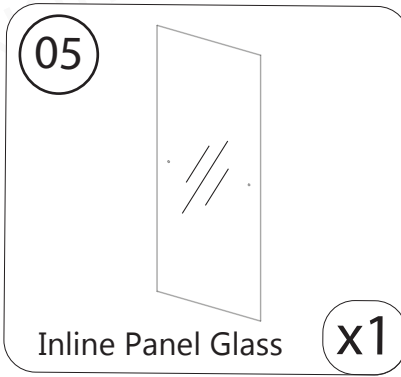
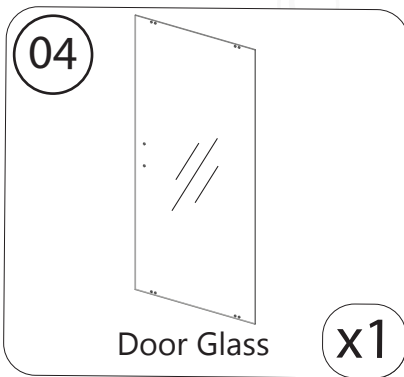
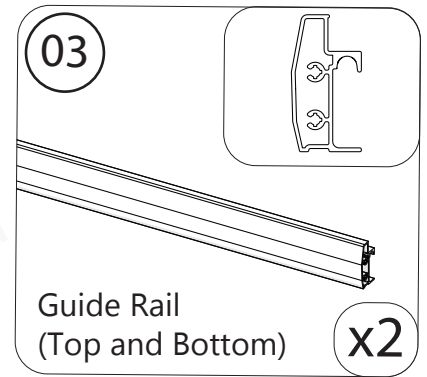
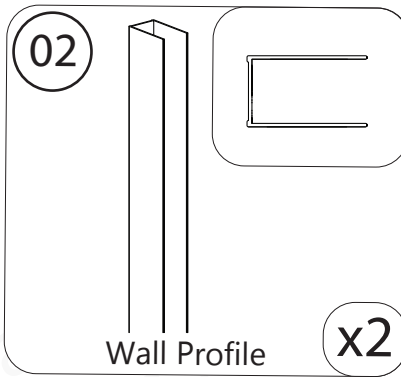
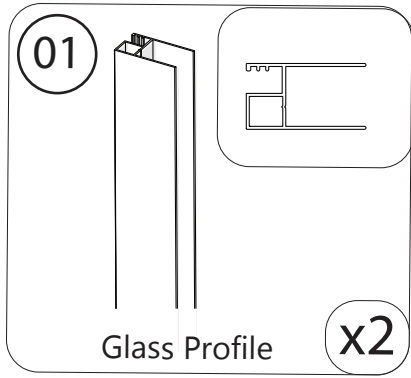


# Detailed Diagram of Shower Door Components



Left-hand door installation shown\*

# Parts List



# Parts List

13

Decorative Cover (with washer) x4

This part is a decorative cover consisting of a washer and a matching cap, shown in two views.

14

Wall Anchor x8

This part is a long, cylindrical wall anchor with a tapered end and a small notch.

15

Vinyl Insert x1

This part is a long, thin vinyl insert with a cross-section view shown in a separate inset.

16

Glass Clip x2

This part is a small, rectangular glass clip with a circular hole in the center.

17a

Wheel Assembly (Top) x4

This part is a wheel assembly shown from a top-down perspective, featuring a circular wheel and a mounting bracket.

17b

Wheel Assembly (Bottom) x4

This part is a wheel assembly shown from a bottom-up perspective, highlighting the internal components and the mounting bracket.

18

Towel Bar x1

This part is a long, curved towel bar with a hook at one end.

© DreamLine®  
All Rights Reserved

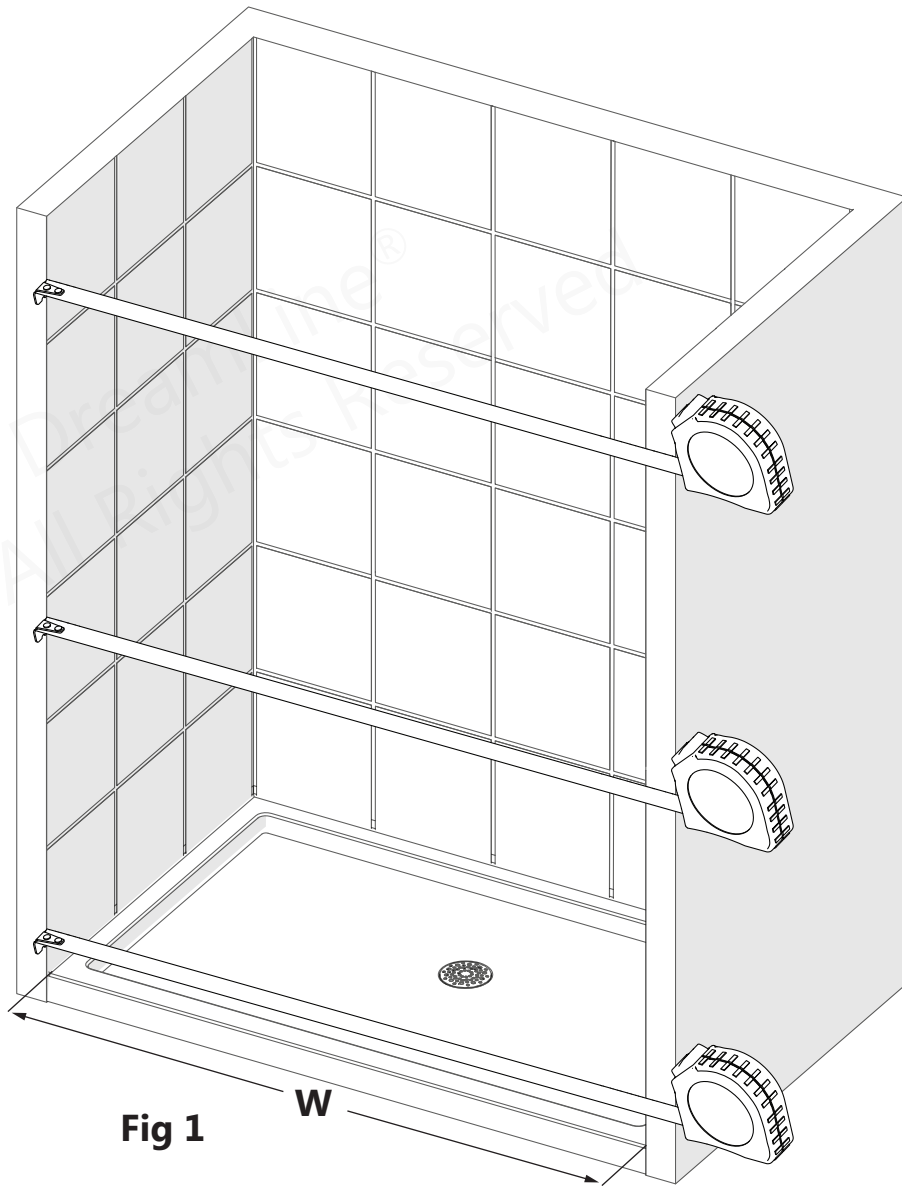
**1**

# Installation Steps

Top  
\*at model height  
\_\_\_\_\_ "

Middle  
\_\_\_\_\_ "

Bottom  
\_\_\_\_\_ "



**Fig 1**

W



Use the **smallest** measurement from Fig 1 to determine the finished cut length of the **Guide Rails (#03)**.

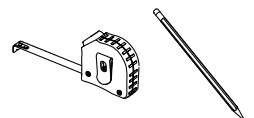


The **Top** and **Bottom Guide Rails (#03)** are shorter than the model size by design. They have been precut for the model width and are designed to fit between the wall profiles, (not wall-to-wall). See Table A below.

**Table A**

Model Size	Precut Rail Length
48" (for shower)	44-5/8"
54" (for shower)	50-5/8"
60" (for shower)	56-5/8"
60" (for tub)	56-5/8"

**Tools Needed**



2



**Cut the Top and Bottom Guide Rails (#03) from the Door End only**, (which is the end farthest from the Glass Clip hole) and cut each rail to the same length (D) from the same end.

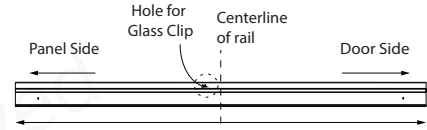


Table B

Model Size	Distance from the Glass Bracket Hole to the:	
	Panel Side	Door Side
48" model	21-3/8"	23-1/4"
54" model	23-7/8"	26-5/8"
60" model	26-7/8"	29-3/4"

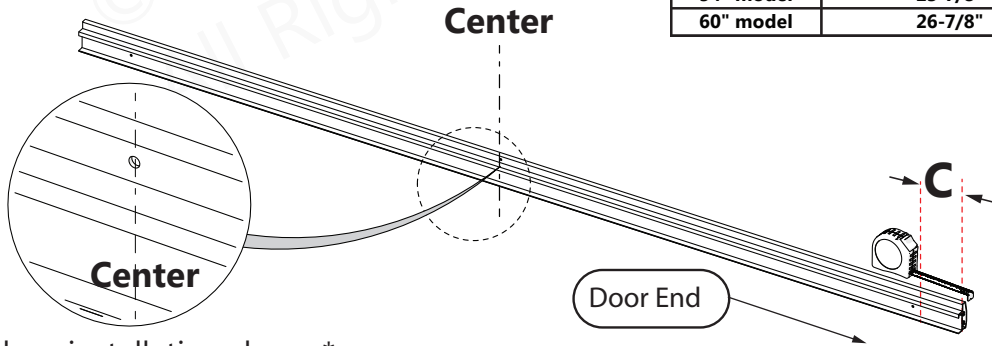


Fig 2a

Left-hand door installation shown\*

**CUTTING FORMULA: FINISHED OPENING - 3-3/8" = FINISHED CUT LENGTH "D"**  
\*for easier installation into the opening, cut off an additional 1/4"

**DO NOT Cut from the panel end!**

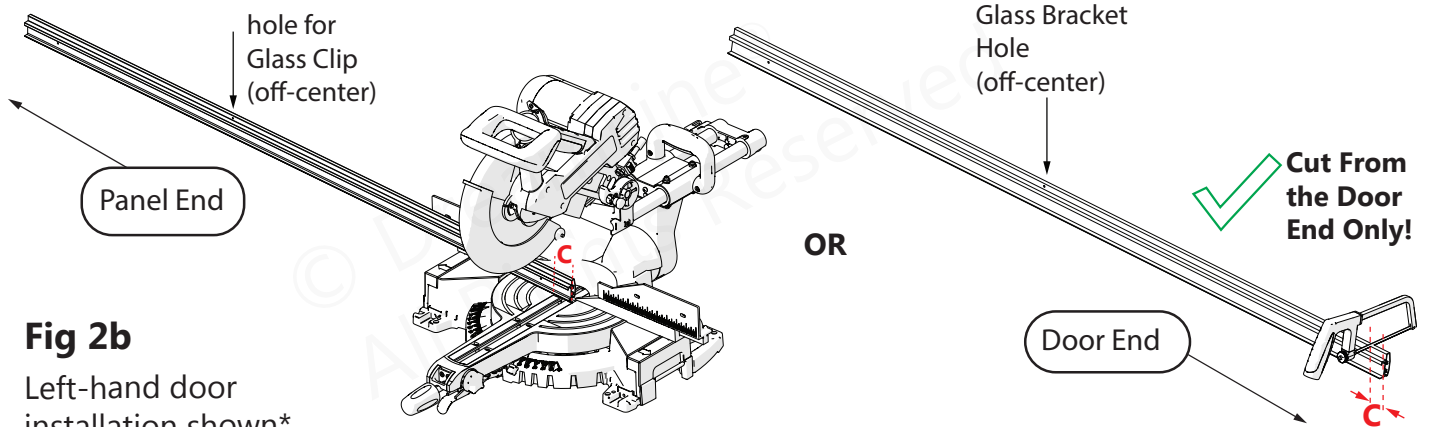
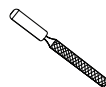
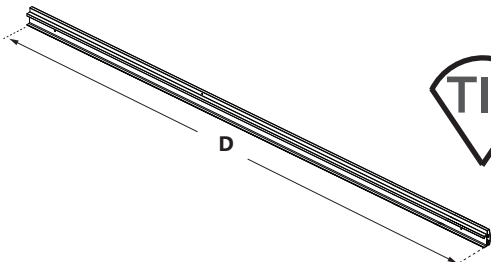


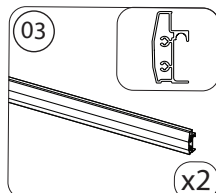
Fig 2b

Left-hand door installation shown\*

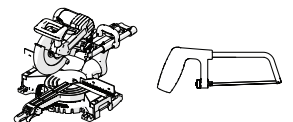


Use a metal file to deburr the cut end

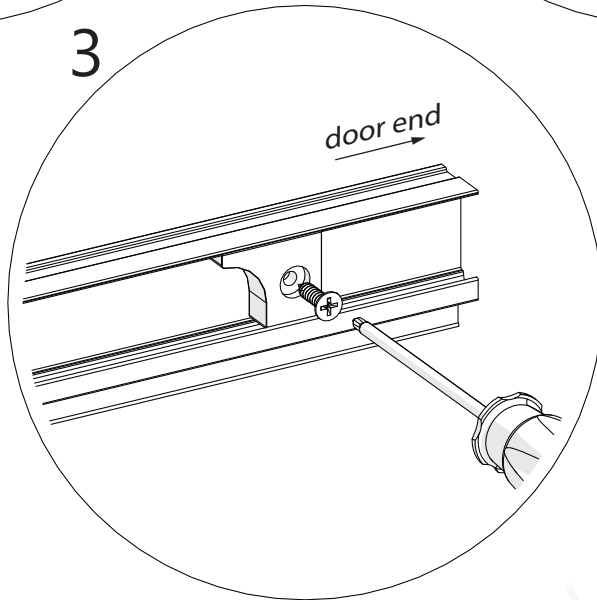
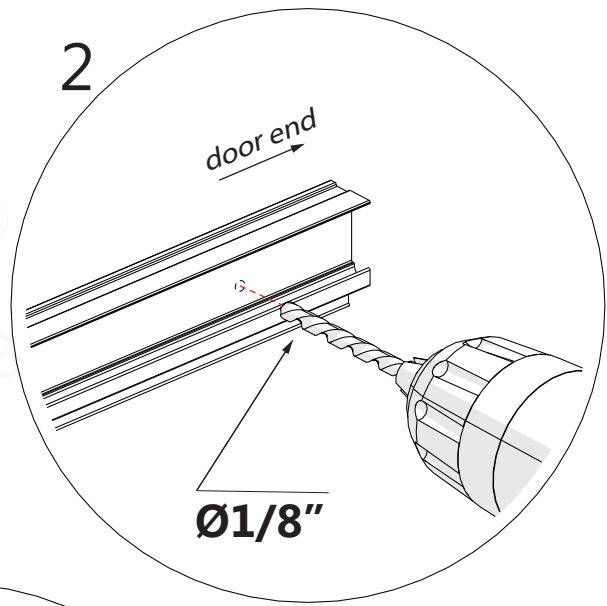
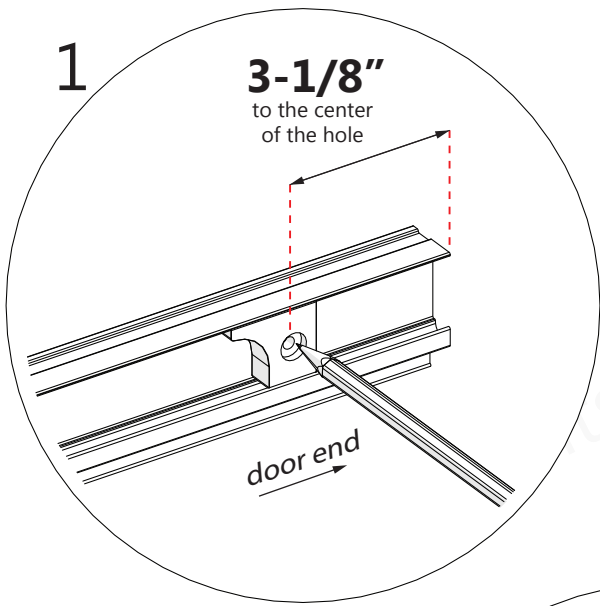
Parts Needed



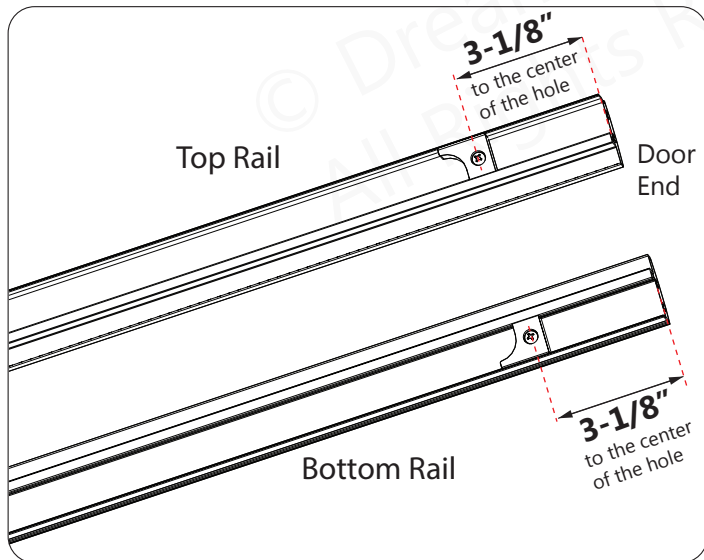
Tools Needed



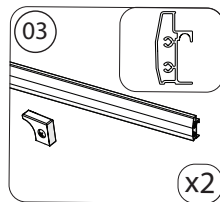
**3**



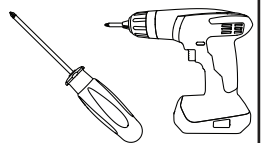
**Fig 3**



**Parts Needed**



**Tools Needed**



4

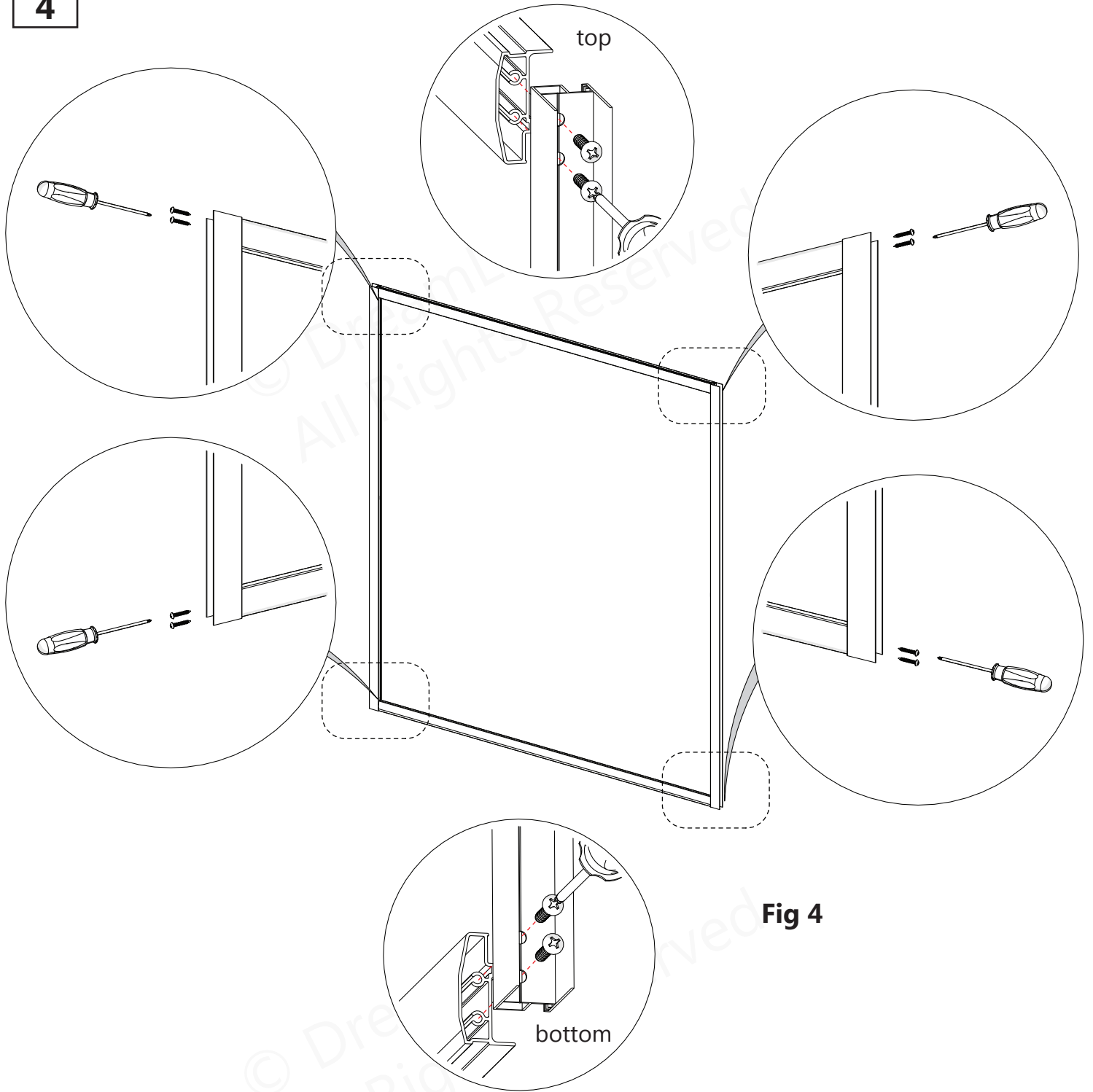


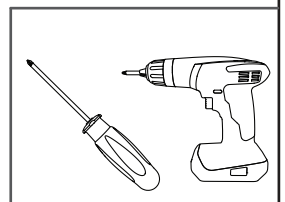
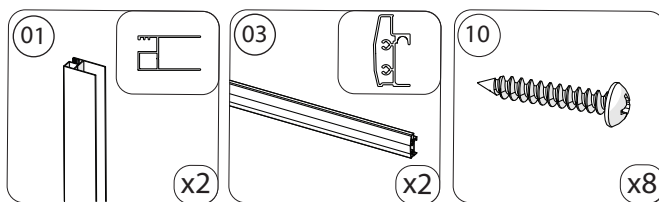
Fig 4



For ease of installation: Add liquid soap, wax, or lubricant to the screws prior to attaching the **Glass Profiles (#01)** to the **Guide Rails (#03)**.  
Use a low setting on the screw gun to prevent stripping the screws.

**Parts Needed**

**Tools Needed**



5

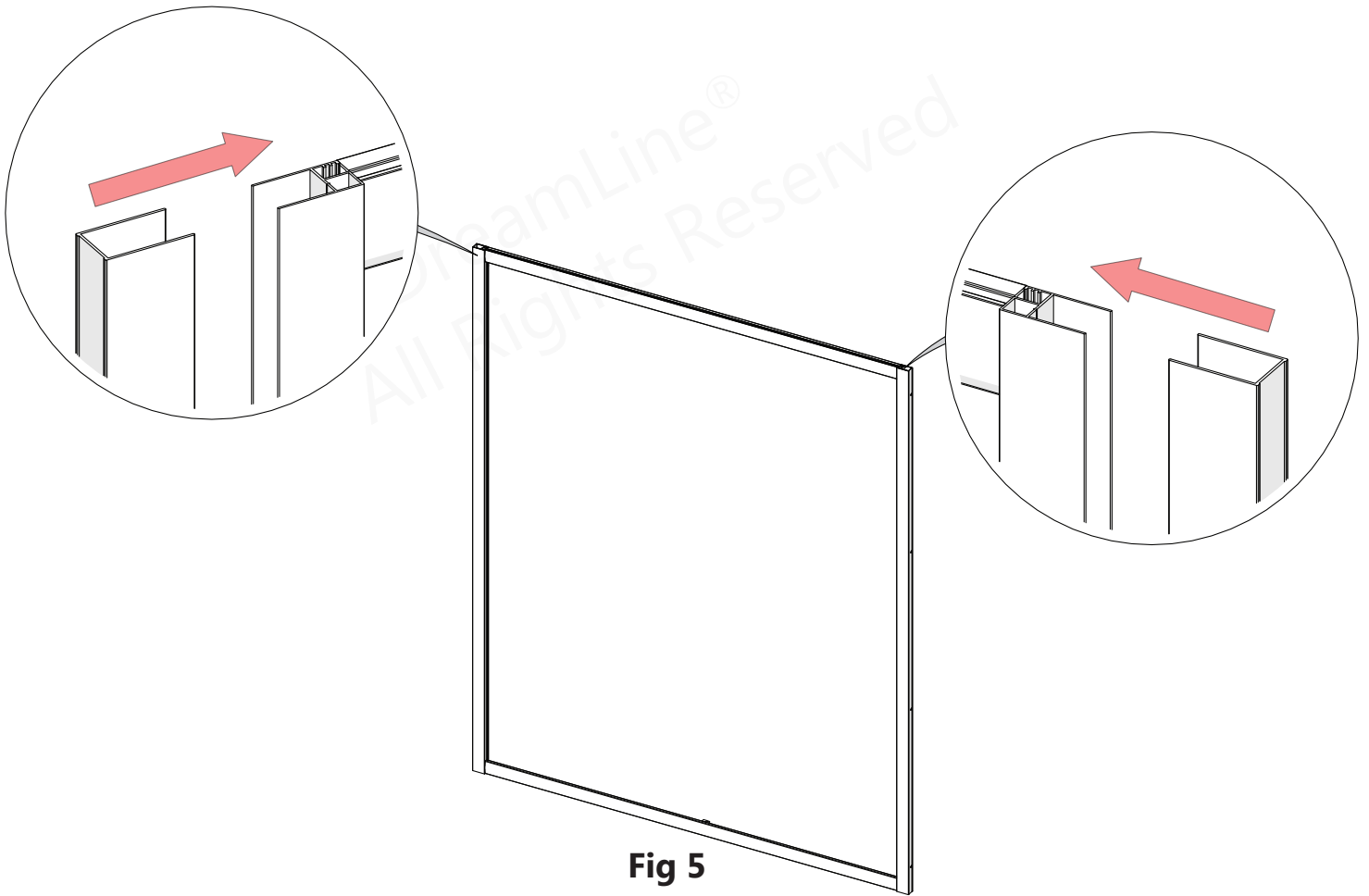
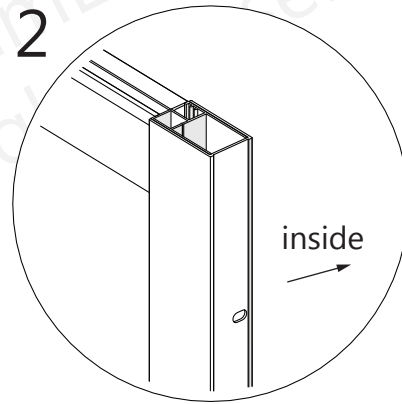
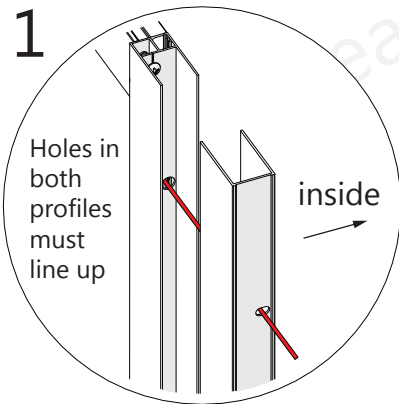
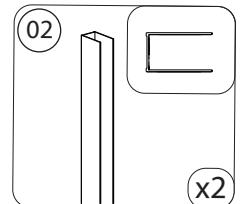


Fig 5



The holes in the **Wall Profiles (#02)** are off-center, and must line up with the corresponding holes in the **Glass Profiles (#01)**.

**Parts Needed**





6



At this step, decide on the handing of the door and panel prior to placing the assembly into the opening to mark the location of the holes for drilling. Flip the assembly so that the **Inline Panel Glass (#06)** will be installed on the desired side of the opening.

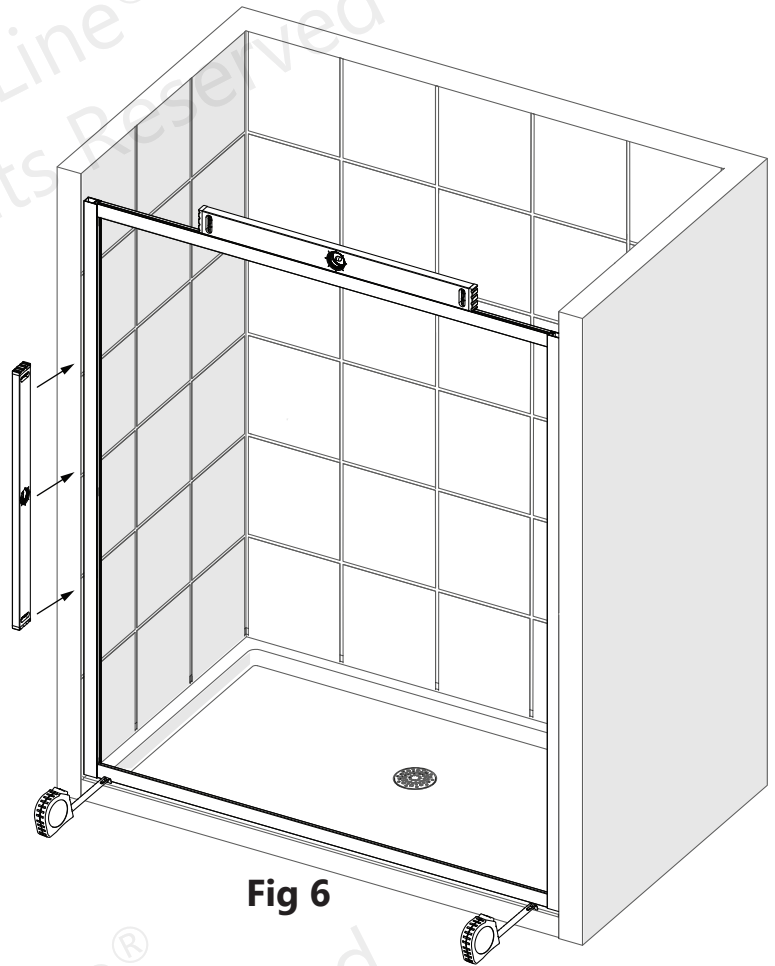
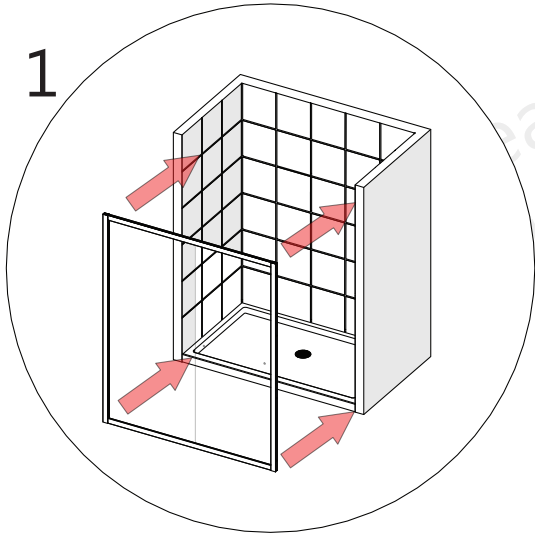
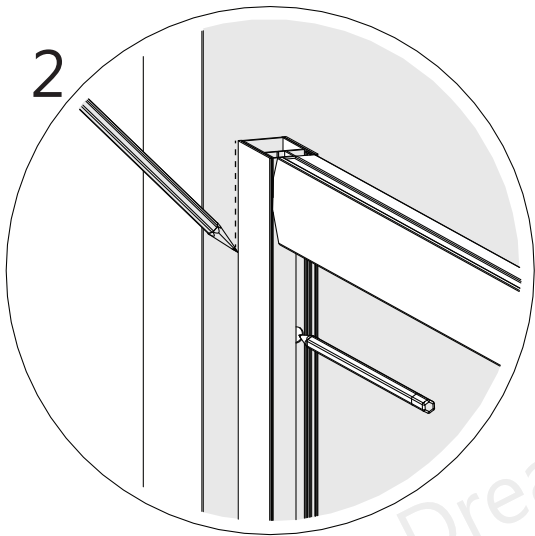
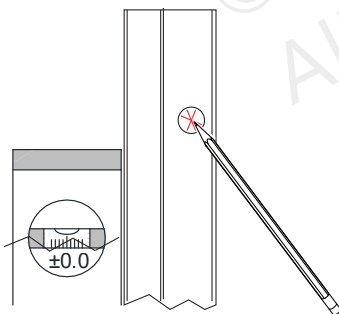


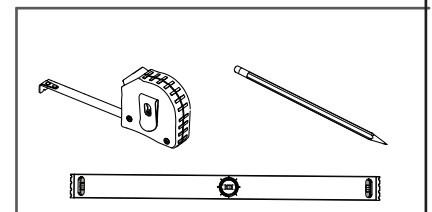
Fig 6



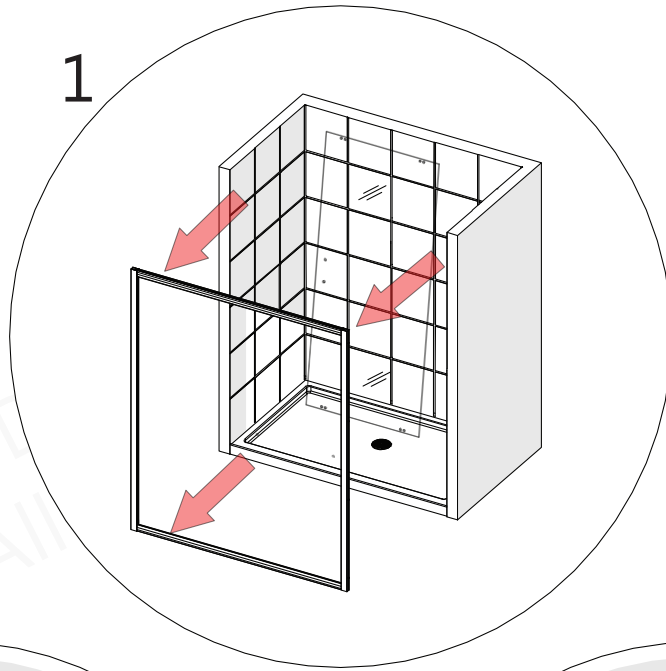
Before marking the holes for drilling, confirm the assembled frame is tight to the threshold, the **Wall Profiles(#02)** are tight to the walls and the frame is level and plumb.



**Tools Needed**

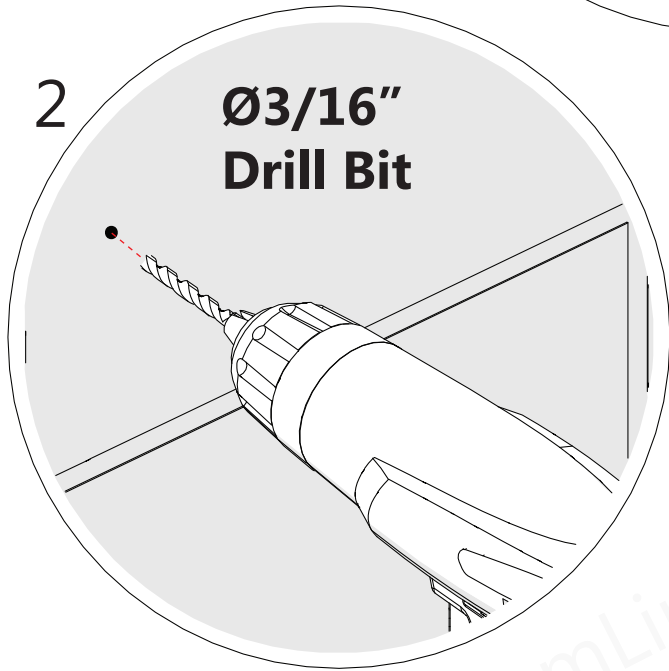


1



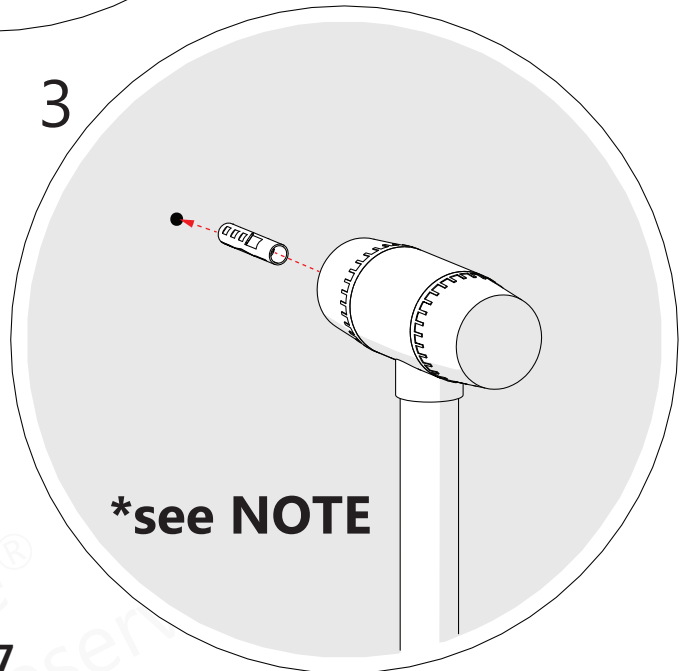
2

**Ø3/16"**  
**Drill Bit**



3

**\*see NOTE**

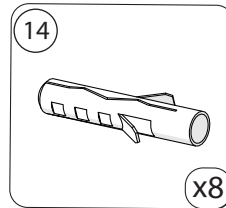


**Fig 7**

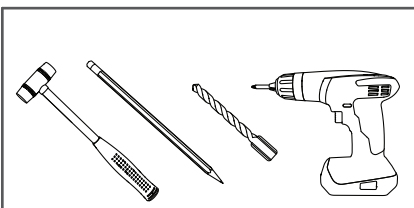
**NOTE**

If a stud is present behind the wall, drill a hole using a **Ø3/16"** drill bit and **do not** use wall anchors.  
If no stud is present, drill the hole using a **Ø5/16"** drill bit and insert **Wall Anchors (#14)** as shown in Fig 7.3.

**Parts Needed**



**Tools Needed**



8



Before securing the frame assembly, bring the **Door Glass (#04)** into the shower area and lean it safely against the wall, using padding to protect the glass, walls, and base. Make sure the handle holes on the **Door Glass (#04)** are on the correct side for installation. The **Wheel Assemblies (#17a/17b)** can be attached prior to setting the glass into the shower. (see **Step 11**)

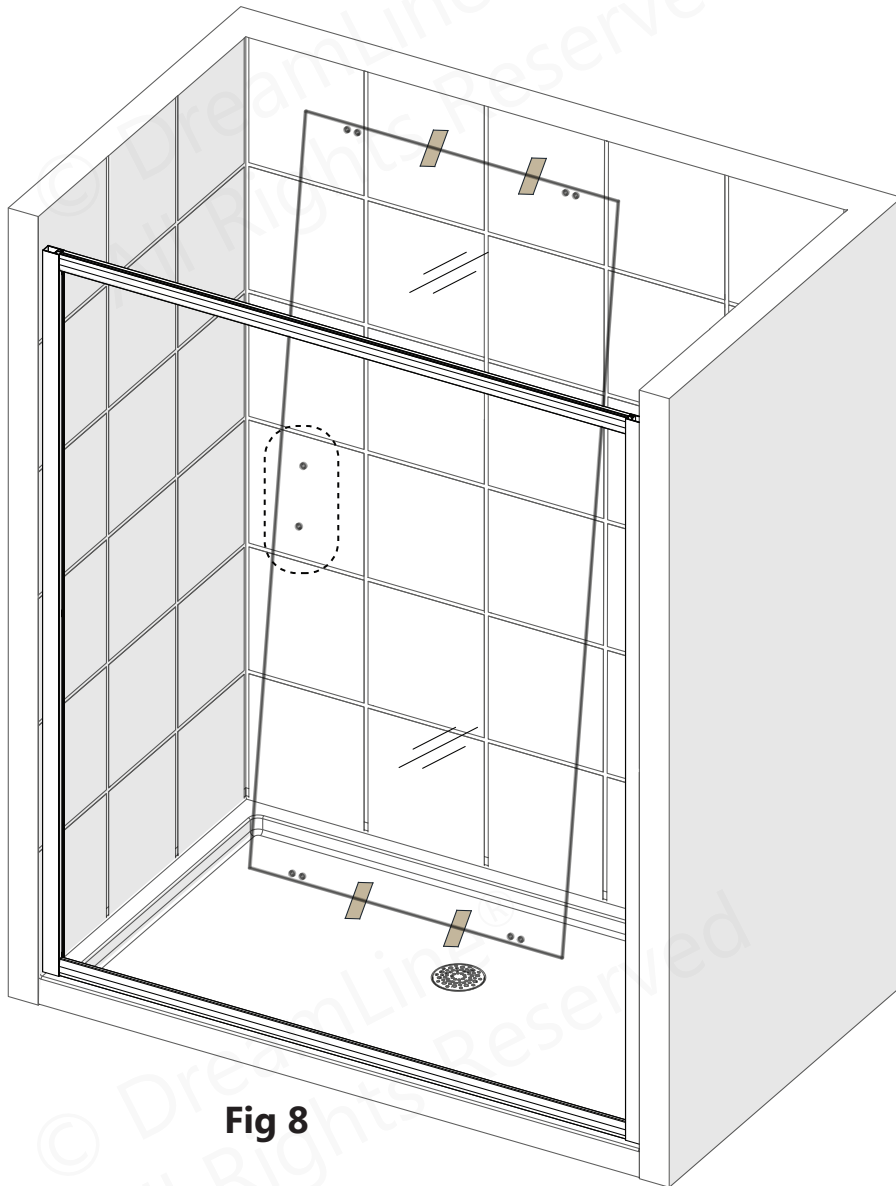
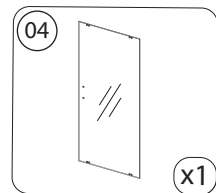


Fig 8

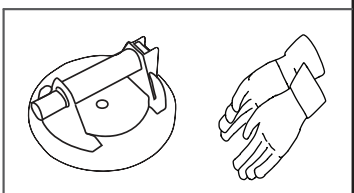


**DO NOT** install the towel bar or handle onto the glass until instructed to do so. **DO NOT** attempt to lift the glass using the towel bar or handle. This could result in damage to the glass and/or serious personal injury. Always use an assistant or a professional grade suction cup when handling heavy glass.

**Parts Needed**



**Tools Needed**



9

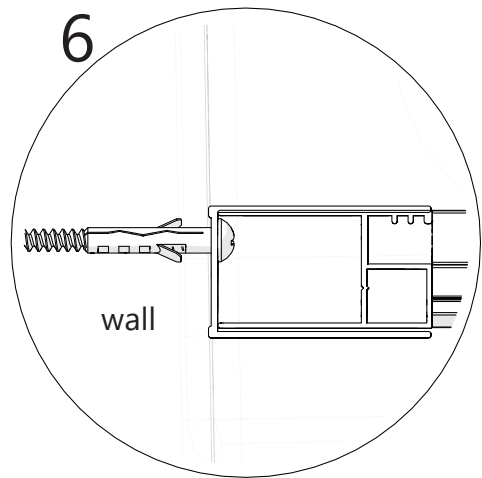
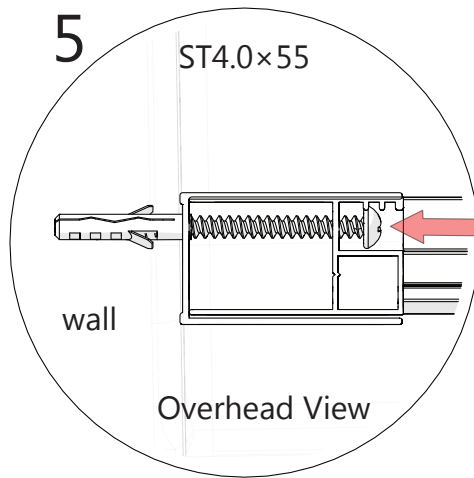
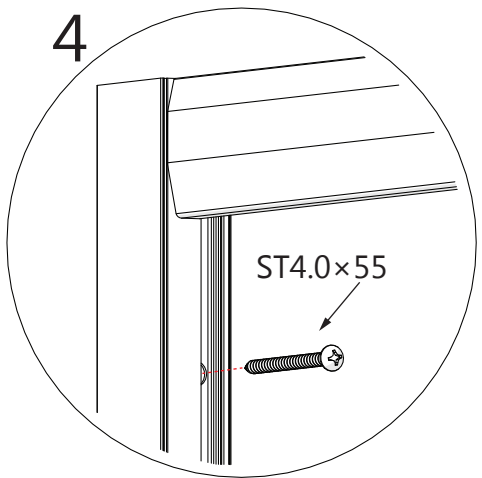
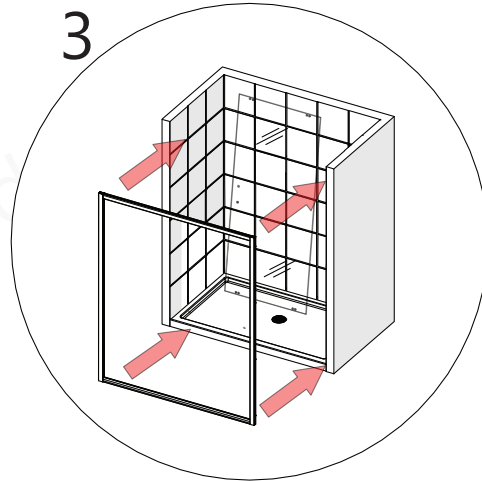
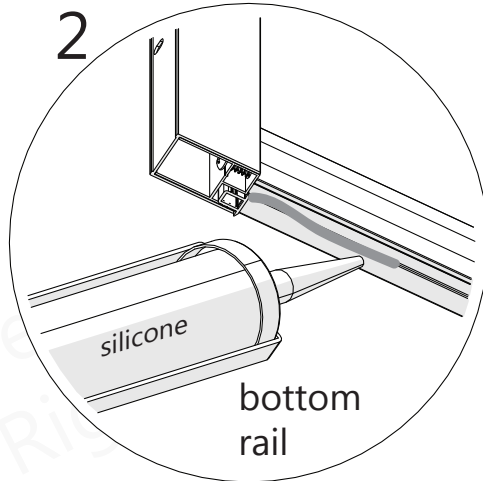
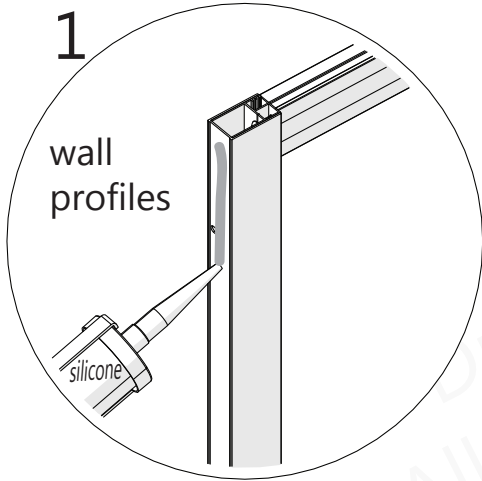
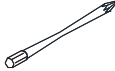


Fig 9

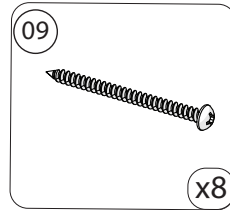


 Extender Driver Bit recommended for the installation of these screws.

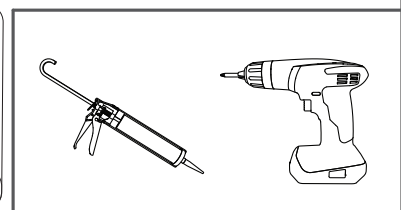


The screwheads on the **ST4.0x55 Pan Head Screws (#09)** will pass through the larger holes in the **Glass Profiles (#01)** and then secure the **Wall Profiles (#02)** to each wall.

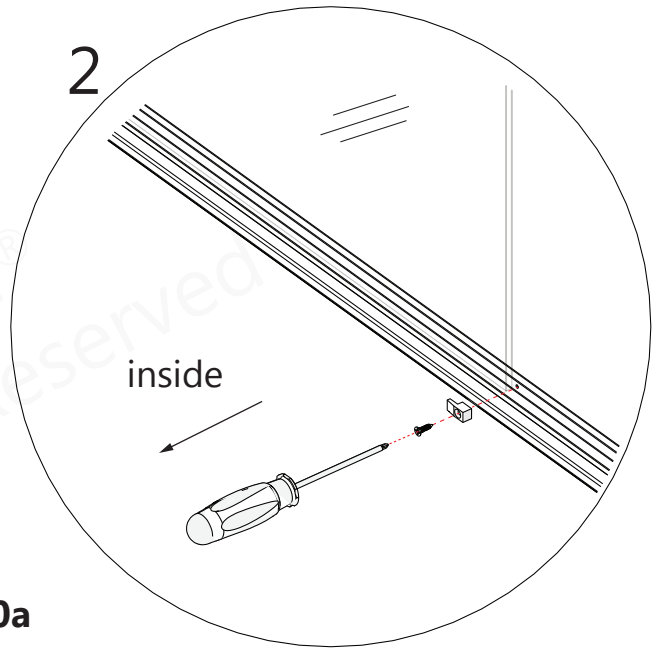
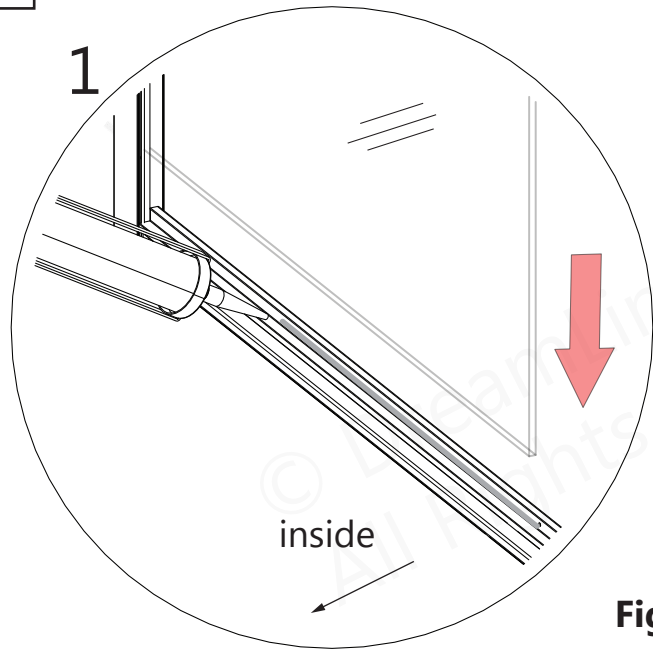
Parts Needed



Tools Needed



**10**



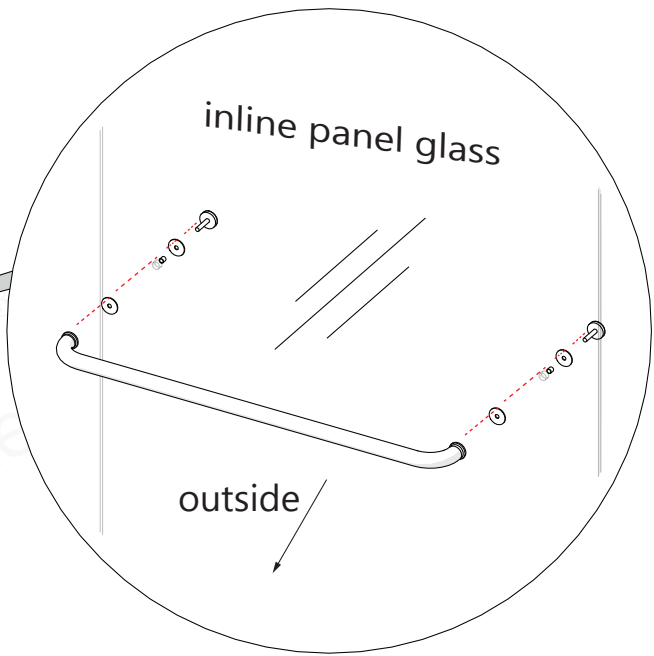
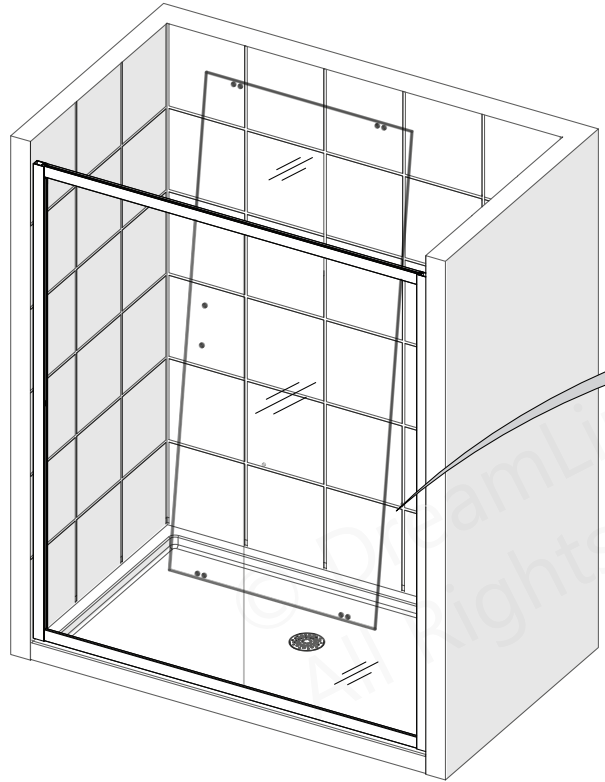
**Fig 10a**



For models with **Frosted** glass, install the textured (Frosted) surface facing **towards** the **outside** of the shower.

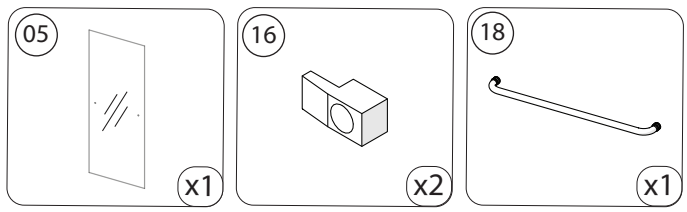


Use caution when installing the **Inline Panel Glass (#05)** into the frame to prevent damage to the edges of the glass.

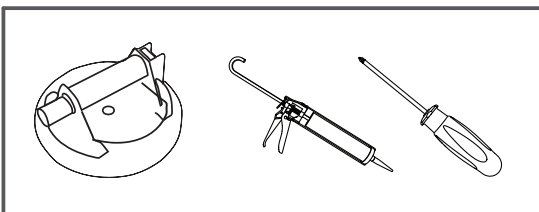


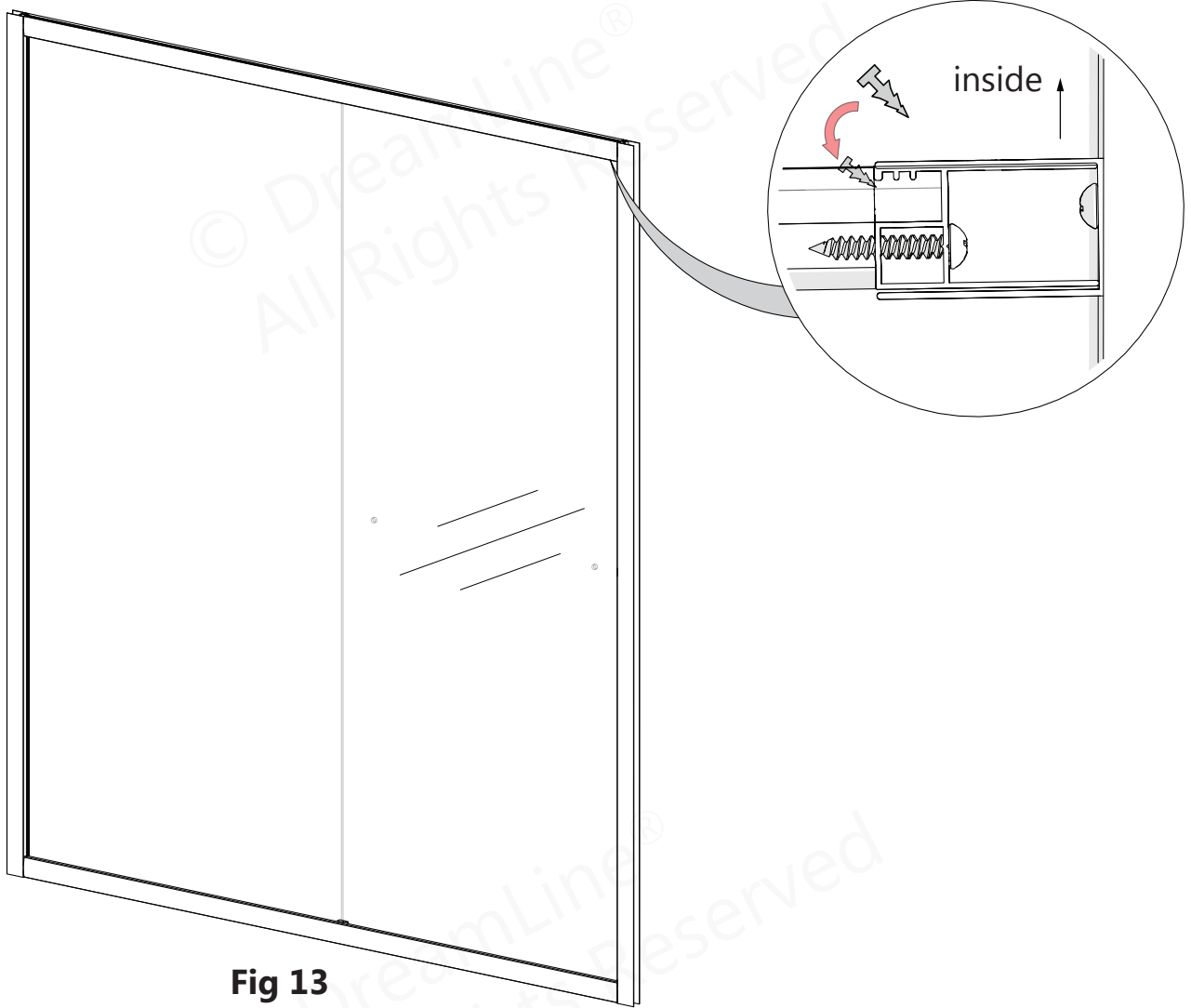
**Fig 10b**

**Parts Needed**



**Tools Needed**





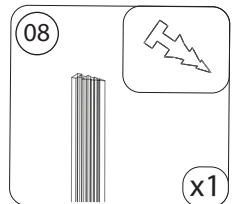
**Fig 13**

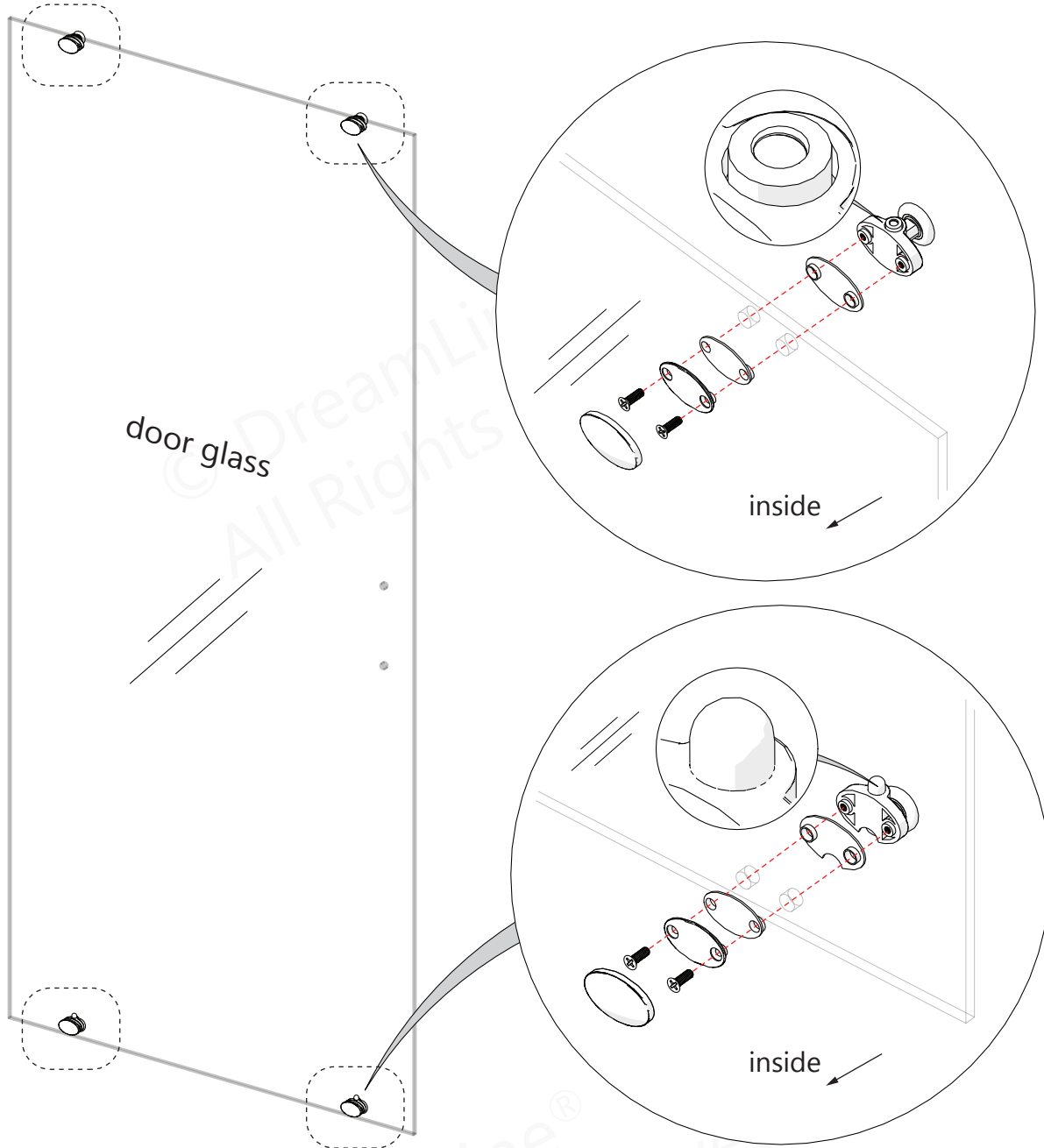
\*Right-hand panel installation shown



To prevent scratching or damaging the glass and aluminum, **DO NOT** use a screwdriver or other metal tool to install the **Push-in Glazing Vinyl (#08)**. Use a plastic putty knife or similar if necessary.

**Parts Needed**





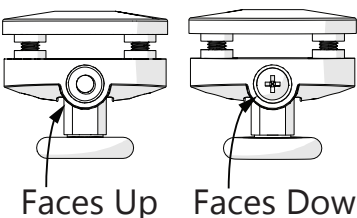
**Fig 11**

\*Left-hand door installation shown

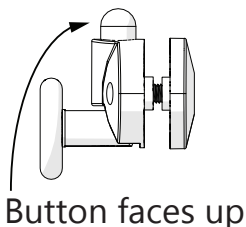


The lock nut on the **Top Roller Assembly (#17a)** and the push-button on the **Bottom Roller Assembly (#17b)** should both be installed pointing up. **DO NOT** overtighten the **Roller Assemblies (#17a/17b)**.

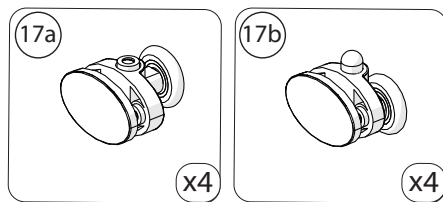
Top Wheels



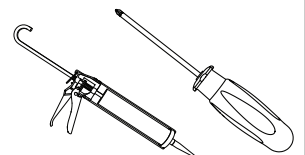
Bottom Wheels



Parts Needed



Tools Needed



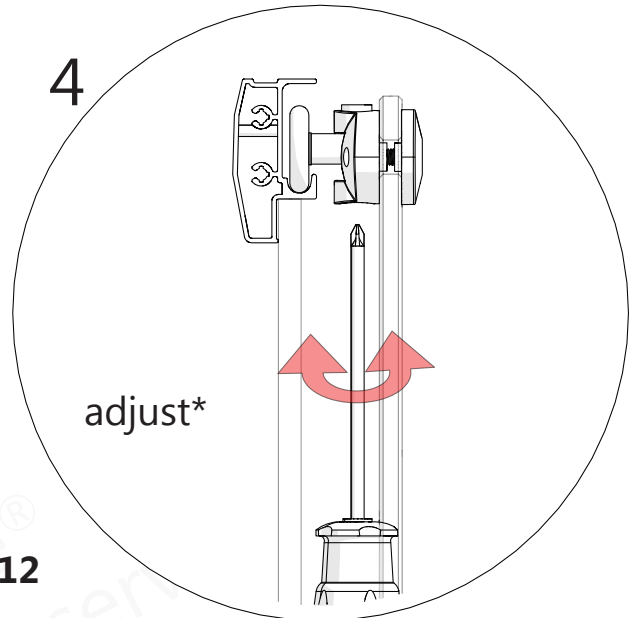
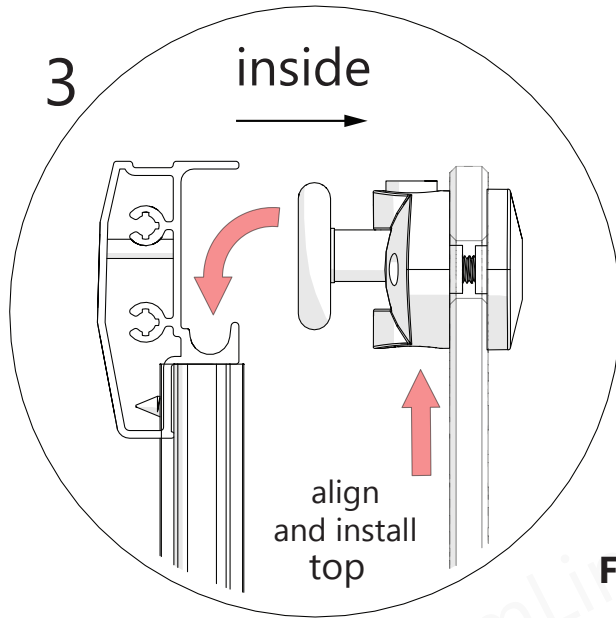
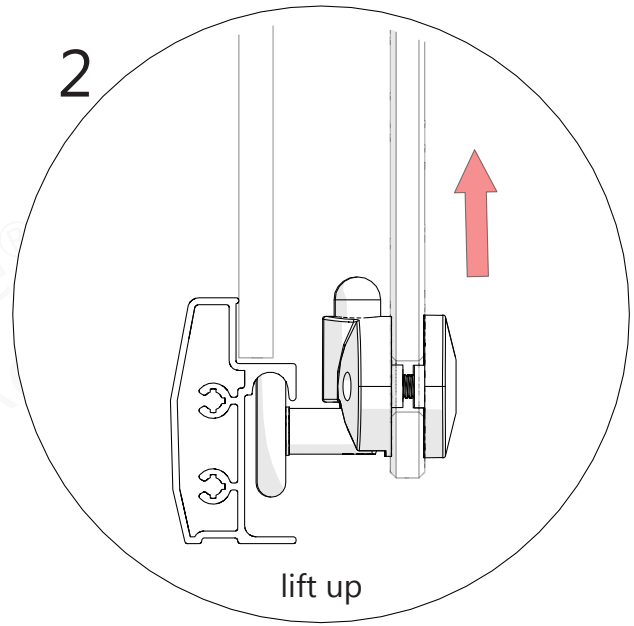
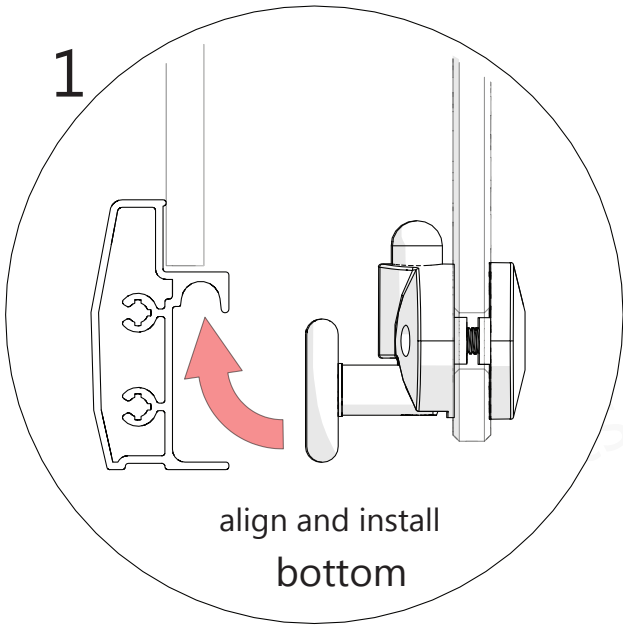
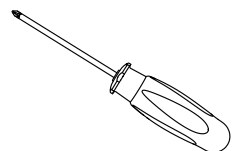


Fig 12



\*If necessary: Adjust the **Top Roller Assemblies (#17a)** for smoother operation.

**Tools Needed**





# Handle and Vinyl Installation

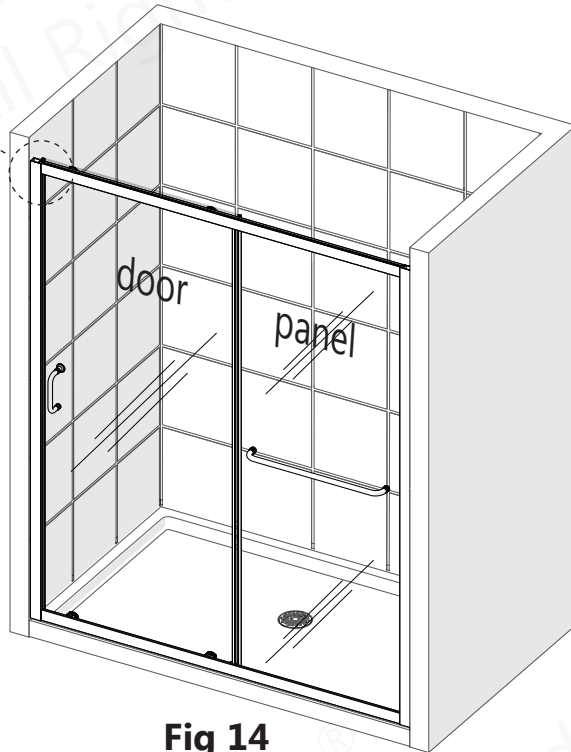
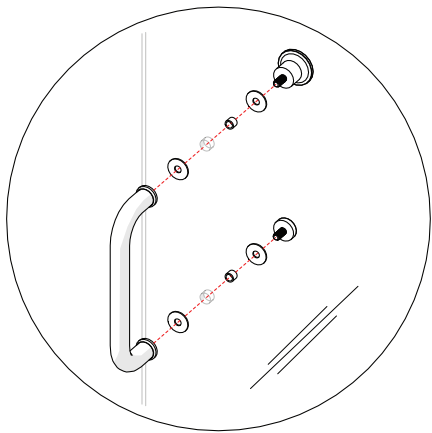
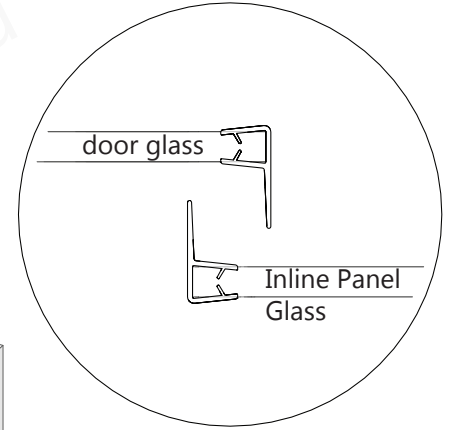
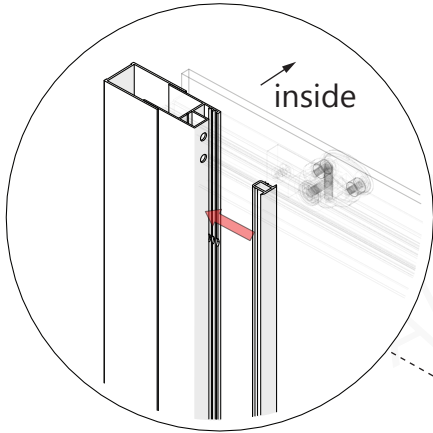
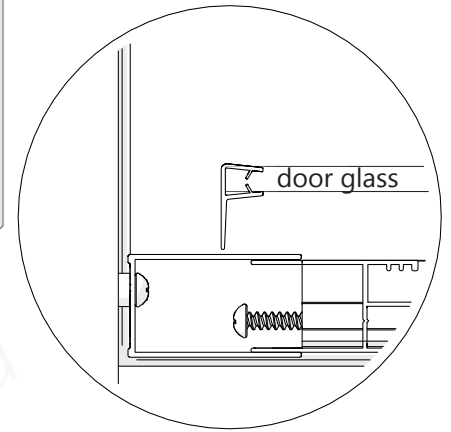


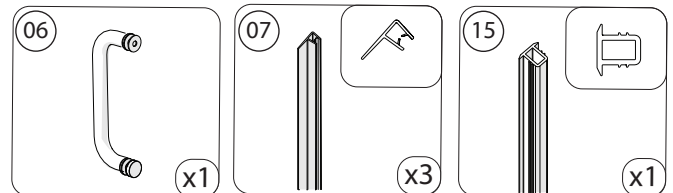
Fig 14



**NOTE**

The longer Vertical Vinyl Seals (#07) attach to the edges of the **Door Glass (#04)**; the shorter Vertical Vinyl Seal (#07) attaches to the edge of the **Inline Panel Glass (#05)**.

### Parts Needed



15



**DO NOT** drill the profiles throughout, **ONLY** through the first layer of the Wall Profile (#02) and Glass Profile (#01).

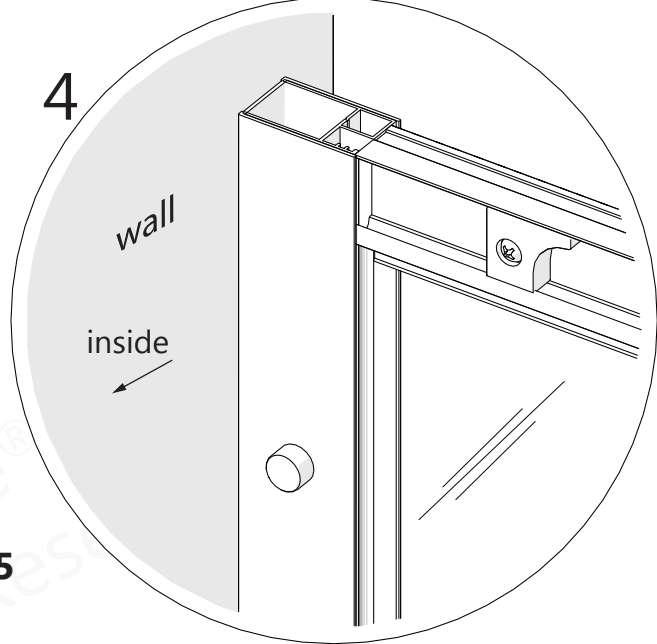
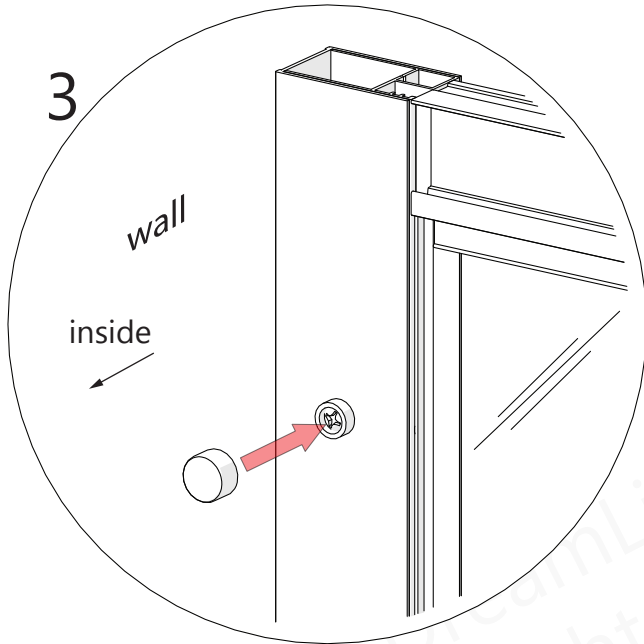
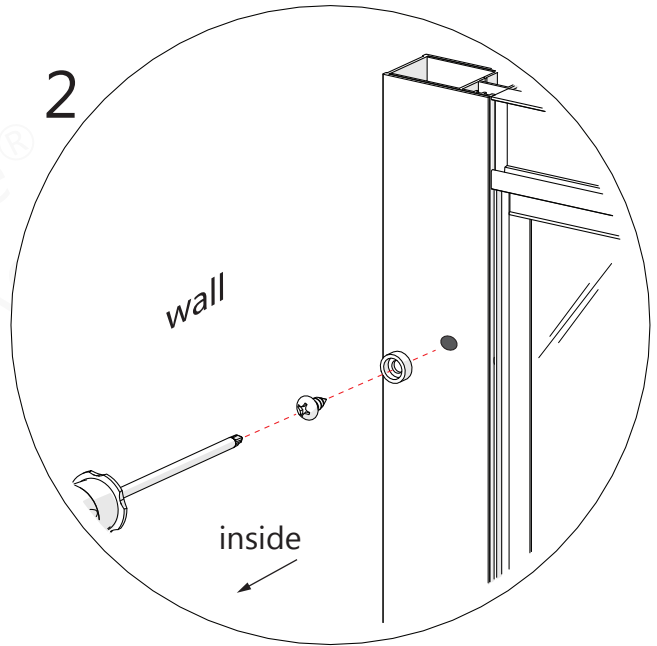
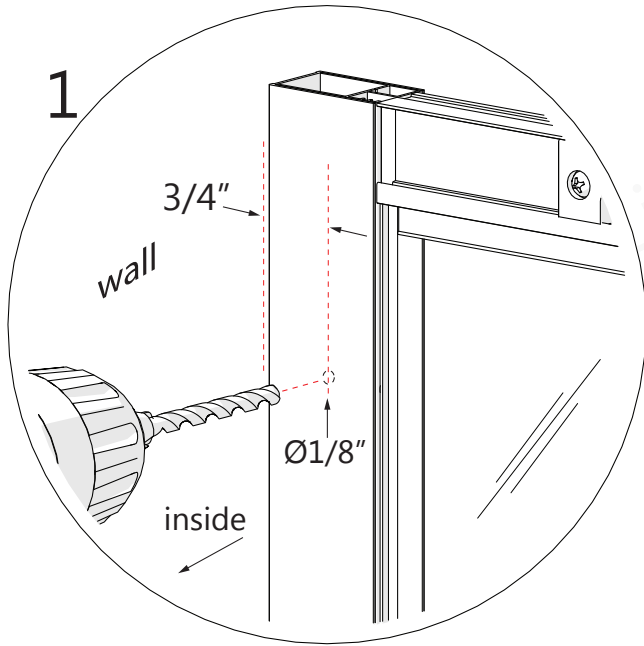
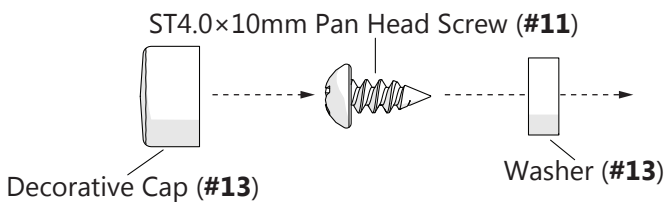


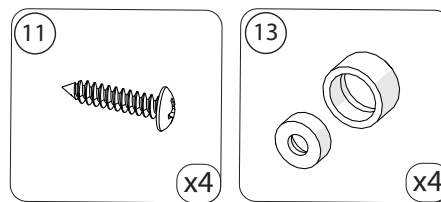
Fig 15



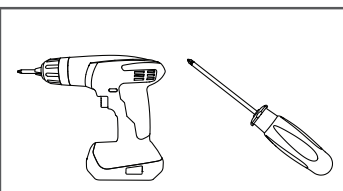
The **ST4.0×10mm Pan Head Screws (#11)** and **Decorative Covers (#13)** should be installed to both the **top** and **bottom** of each profile.



**Parts Needed**



**Tools Needed**





The surfaces need to be clean and free of debris before applying silicone.

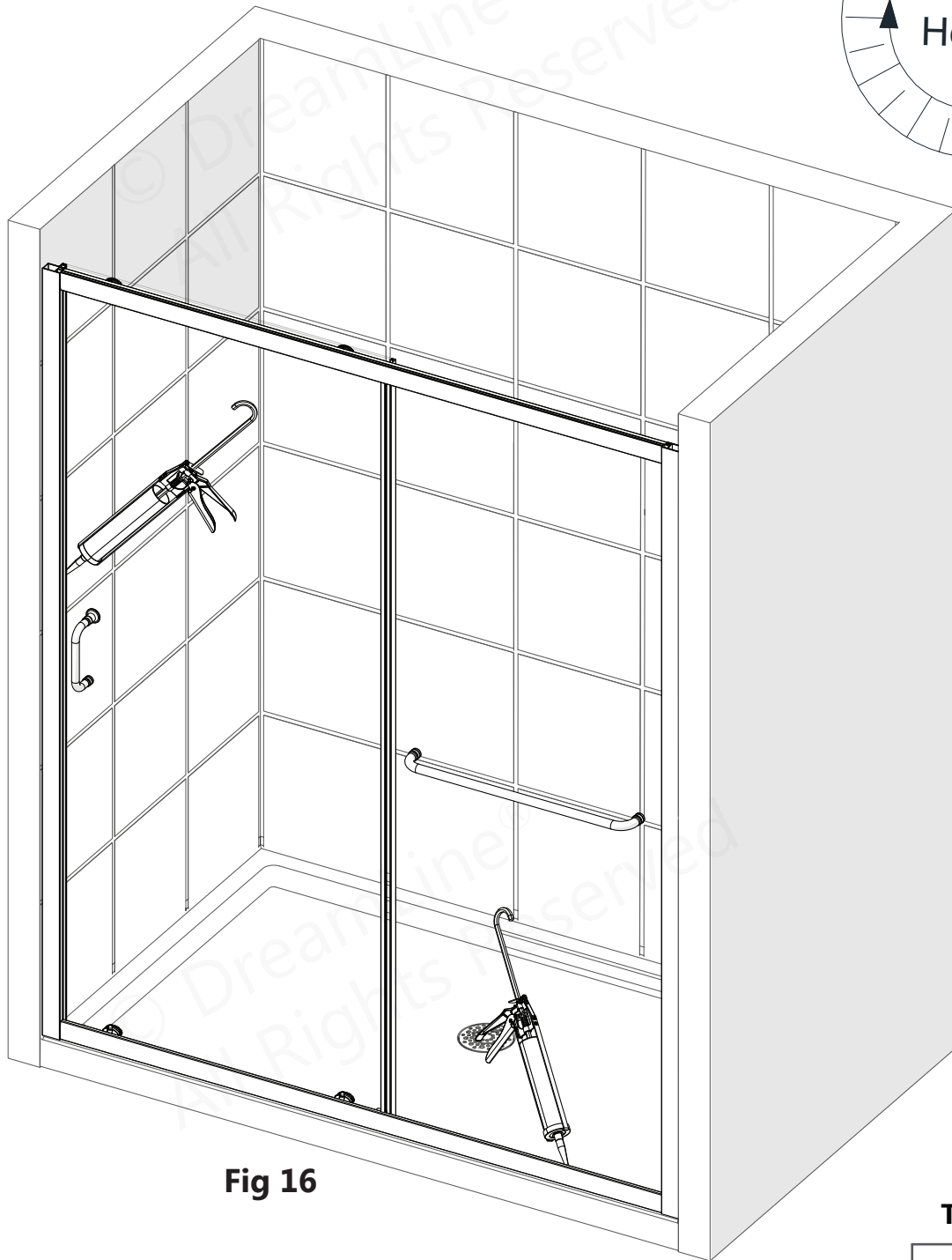
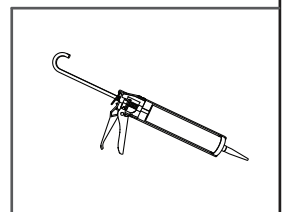


Fig 16

Tools Needed



Allow 24 hours for the silicone caulk to cure before using shower.

# Product Maintenance

**BASES and BACKWALLS:** To ensure long lasting life for your acrylic back walls: wipe them off after each use with a soft cloth. To clean the acrylic back walls use non-abrasive sprays or cream based cleaners. Avoid the use of aerosol spray cleaners. Never use abrasive cleansers, metal brushes or scrapers that could permanently scratch or dull the surface.

**GLASS:** To ensure long lasting life for your glass shower products: wipe them off after each use with a soft cloth. Rinse and wipe off the glass using either a soft cloth or a squeegee to prevent soap buildup and water spots (Hard water can etch the surface of the glass over time if left to dry). To prevent scratching the surface: never use abrasive cleaners or cleaning products that contain scouring agents. Never use bristle brushes or abrasive sponges that may scratch the surface of the glass.

**HARDWARE:** To ensure a long lasting finish: wipe off all metal parts after each use with a soft cloth. Do not use abrasive cleaners or cleaning products containing ammonia, bleach or acid. If accidentally used, rinse the surface as soon as possible to prevent damage to the finish (peeling or corrosion). After cleaning the polished finishes, rinse thoroughly and wipe dry with a soft clean-cloth.

Clean stainless steel surfaces at least once a week. When applying stainless steel cleaner or polish to stainless steel hardware, work with the grain (not across the grain). Never use an abrasive sponge or cloth, steel wool or wired brush as these may permanently scratch the surfaces.



**To maximize the life of your door, it is important to regularly inspect the glass and other hardware for misalignment, proper attachment, and/or damage. Contact DreamLine® with any questions or concerns.**

## **INFINITY-Z Maintenance Checklist**

- Inspect the Roller Assemblies; tighten if necessary
- Inspect Handle and towel bar; tighten if necessary
- Inspect glass clips; tighten if necessary
- Inspect and replace damaged or missing Vinyl Seals.
- Remove Vinyl Seals to inspect the edges of the glass for concealed damage.

### **Damaged glass must be replaced!**

- Inspect silicone application. Replace as necessary to prevent leakage.  
(refer to the manufacturer's recommendations on the proper application of their product).

# Troubleshooting

Problem/Symptom	Suggested Solution
Missing Parts	<ul style="list-style-type: none"> <li>•Check all shipping/packaging material for missing parts/components.</li> <li>•If not found, contact DreamLine Customer Support [1-855-831-2126] to order factory part replacement.</li> </ul>
Water Leakage: underneath <b>Bottom Guide Rail (#03)</b>	<ul style="list-style-type: none"> <li>•Make certain that the bottom rail is tight to the threshold and that silicone is creating a seal along the entire length of the bottom rail.</li> <li>•If the bottom rail is not making contact with the threshold, it may be necessary to redo Steps 6-7 to create a better seal.</li> </ul>
Water Leakage: <b>Panel/Door Glass (#05/04)</b>	<ul style="list-style-type: none"> <li>•Starting from the bottom, confirm that the <b>Push-in Glazing Vinyl (#08)</b> is correctly inserted into the glass profile. [see Fig 7]</li> <li>•If possible, direct the flow of water away from the area.</li> </ul>
<b>Door Glass (#04)</b> is not rolling smoothly/closing tightly.	<ul style="list-style-type: none"> <li>•Use a #2 phillips screwdriver to evenly adjust the <b>Top Wheel Assemblies (#17a)</b> until the <b>Door Glass (#04)</b> rolls smoothly and tightly closes. [see Fig 12.4]</li> </ul>
<b>Panel Glass (#05)</b> shakes/rattles while in operation.	<ul style="list-style-type: none"> <li>•Starting from the bottom, confirm that the <b>Push-in Glazing Vinyl (#08)</b> is installed tightly between the <b>Panel Glass (#05)</b> and <b>Glass Profile (#01)</b>.</li> <li>•Inspect the <b>Glass Clips (#16)</b> for correct installation and tighten if necessary. [see Step 10]</li> </ul>



Prior to contacting DreamLine® Customer Service, please have the following information readily available:

- Purchase Order Information
- Name, PO Number, Dealer/Vendor Name, etc.
- SKU/Model Number (see Pages 27-33)
- Factory Part Information (see Pages 27-33)

© DreamLine® All Rights Reserved

## Product Parts Information

INFINITY-Z 48x72 Clear Glass		FACTORY PARTS INFORMATION	
ITEM #	FACTORY PART NUMBER	ITEM DESCRIPTION	QTY
01	040020 <b>11</b> -1830 / 040020 <b>41</b> -1830 / 040020 <b>61</b> -1830	Left or Right Glass Profile for 6mm (1/4in) Glass	2 pcs
02	041830 <b>11</b> -1830 / 041830 <b>41</b> -1830 / 041830 <b>61</b> -1830	Left or Right Wall Profile	2 pcs
03	040010 <b>11</b> -1134 / 0400 <b>40</b> 11-1134 / 0400 <b>60</b> 11-1134	Top or Bottom Guide Rail	2 pcs
04	010021014	Door Glass	1 pc
05	010022007	Inline Panel Glass	1 pc
06	0722 <b>10</b> 06 / 0722 <b>40</b> 06 / 0722 <b>60</b> 06	Single Sided Curved Handle with Knob for 6mm (1/4in) Glass	1 pc
07a	063001060-1743	Vinyl Seal with a Flexible Fin for 6mm (1/4in) Glass (for panel)	1 pc
07b	063001060-1814	Vinyl Seal with a Flexible Fin for 6mm (1/4in) Glass (for door)	2 pcs
08	060001000-1765	Push-in Glazing Vinyl for 6mm (1/4in) Glass	1 pc
09	091131	ST4.0 x 55mm Pan Head Screw	11 pcs
10	091104	ST4.0 x 25mm Pan Head Screw	11 pcs
11	091101	ST4.0 x 10mm Pan Head Screw	7 pcs
12	092102	ST4.2 x 16mm Countersunk Screw (pre-attached to #03)	4 pcs
12	092102	ST4.2 x 16mm Countersunk Screw	2 pcs
13	0755 <b>10</b> 11 / 0755 <b>40</b> 11 / 0755 <b>60</b> 11	Decorative Cover and Washer	7 pcs
14	07550045	Wall Anchor 8mm (5/16in)	11 pcs
15	060007060-1800	Vinyl Insert for Glass Profile	1 pc
16	0755 <b>10</b> 14 / 0755 <b>40</b> 14 / 0755 <b>60</b> 14	Glass Clip for 6mm (1/4in) Glass	2 pcs
17a	0734 <b>10</b> 08 / 0734 <b>40</b> 08 / 0734 <b>60</b> 08	Single Roller Assembly (top) for 6mm (1/4in) Glass	2 pcs
17b	0734 <b>10</b> 09 / 0734 <b>40</b> 09 / 0734 <b>60</b> 09	Single Roller Assembly (bottom) for 6mm (1/4in) Glass	2 pcs
18	0722 <b>10</b> 24 / 0722 <b>40</b> 24 / 0722 <b>60</b> 24	Towel Bar Assembly for 6mm (1/4in) Glass	1 pc
---	07550009	Roller Stopper (pre-attached to #03)	4 pcs

**BOLD digit indicates finish: 1 = Chrome; 4 = Brushed Nickel; 06 = Oil Rubbed Bronze**

Contact [Support@DreamLine.com](mailto:Support@DreamLine.com) for Part replacement, installation assistance or additional information  
Complete **Warranty** information is available on [DreamLine.com](http://DreamLine.com)

## Product Parts Information

INFINITY-Z 48x72 Frosted Glass		FACTORY PARTS INFORMATION	
ITEM #	FACTORY PART NUMBER	ITEM DESCRIPTION	QTY
01	040020 <b>11</b> -1830 / 040020 <b>41</b> -1830 / 040020 <b>61</b> -1830	Left or Right Glass Profile for 6mm (1/4in) Glass	2 pcs
02	041830 <b>11</b> -1830 / 041830 <b>41</b> -1830 / 041830 <b>61</b> -1830	Left or Right Wall Profile	2 pcs
03	040010 <b>11</b> -1134 / 0400 <b>40</b> 11-1134 / 0400 <b>60</b> 11-1134	Top or Bottom Guide Rail	2 pcs
04	010021016	Door Glass	1 pc
05	010022008	Inline Panel Glass	1 pc
06	0722 <b>1</b> 006 / 0722 <b>4</b> 006 / 0722 <b>6</b> 006	Single Sided Curved Handle with Knob for 6mm (1/4in) Glass	1 pc
07a	063001060-1743	Vinyl Seal with a Flexible Fin for 6mm (1/4in) Glass (for panel)	1 pc
07b	063001060-1814	Vinyl Seal with a Flexible Fin for 6mm (1/4in) Glass (for door)	2 pcs
08	060001000-1765	Push-in Glazing Vinyl for 6mm (1/4in) Glass	1 pc
09	091131	ST4.0 x 55mm Pan Head Screw	11 pcs
10	091104	ST4.0 x 25mm Pan Head Screw	11 pcs
11	091101	ST4.0 x 10mm Pan Head Screw	7 pcs
12	092102	ST4.2 x 16mm Countersunk Screw (pre-attached to #03)	4 pcs
12	092102	ST4.2 x 16mm Countersunk Screw	2 pcs
13	0755 <b>1</b> 011 / 0755 <b>4</b> 011 / 0755 <b>6</b> 011	Decorative Cover and Washer	7 pcs
14	07550045	Wall Anchor 8mm (5/16in)	11 pcs
15	060007060-1800	Vinyl Insert for Glass Profile	1 pc
16	0755 <b>1</b> 014 / 0755 <b>4</b> 014 / 0755 <b>6</b> 014	Glass Clip for 6mm (1/4in) Glass	2 pcs
17a	0734 <b>1</b> 008 / 0734 <b>4</b> 008 / 0734 <b>6</b> 008	Single Roller Assembly (top) for 6mm (1/4in) Glass	2 pcs
17b	0734 <b>1</b> 009 / 0734 <b>4</b> 009 / 0734 <b>6</b> 009	Single Roller Assembly (bottom) for 6mm (1/4in) Glass	2 pcs
18	0722 <b>1</b> 024 / 0722 <b>4</b> 024 / 0722 <b>6</b> 024	Towel Bar Assembly for 6mm (1/4in) Glass	1 pc
---	07550009	Roller Stopper (pre-attached to #03)	4 pcs

**BOLD digit indicates finish: 1 = Chrome; 4 = Brushed Nickel; 06 = Oil Rubbed Bronze**

Contact [Support@DreamLine.com](mailto:Support@DreamLine.com) for Part replacement, installation assistance or additional information  
Complete **Warranty** information is available on [DreamLine.com](http://DreamLine.com)

## Product Parts Information

INFINITY-Z 54x72 Clear Glass		FACTORY PARTS INFORMATION	
ITEM #	FACTORY PART NUMBER	ITEM DESCRIPTION	QTY
01	04002011-1830 / 04002041-1830 / 04002061-1830	Left or Right Glass Profile for 6mm (1/4in) Glass	2 pcs
02	04183011-1830 / 04183041-1830 / 04183061-1830	Left or Right Wall Profile	2 pcs
03	04001011-1283 / 04004011-1283 / 04006011-1283	Top or Bottom Guide Rail	2 pcs
04	010022011	Door Glass	1 pc
05	010022010	Inline Panel Glass	1 pc
06	07221006 / 07224006 / 07226006	Single Sided Curved Handle with Knob for 6mm (1/4in) Glass	1 pc
07a	063001060-1743	Vinyl Seal with a Flexible Fin for 6mm (1/4in) Glass (for panel)	1 pc
07b	063001060-1814	Vinyl Seal with a Flexible Fin for 6mm (1/4in) Glass (for door)	2 pcs
08	060001000-1765	Push-in Glazing Vinyl for 6mm (1/4in) Glass	1 pc
09	091131	ST4.0 x 55mm Pan Head Screw	11 pcs
10	091104	ST4.0 x 25mm Pan Head Screw	11 pcs
11	091101	ST4.0 x 10mm Pan Head Screw	7 pcs
12	092102	ST4.2 x 16mm Countersunk Screw (pre-attached to #03)	4 pcs
12	092102	ST4.2 x 16mm Countersunk Screw	2 pcs
13	07551011 / 07554011 / 07556011	Decorative Cover and Washer	7 pcs
14	07550045	Wall Anchor 8mm (5/16in)	11 pcs
15	060007060-1800	Vinyl Insert for Glass Profile	1 pc
16	07551014 / 07554014 / 07556014	Glass Clip for 6mm (1/4in) Glass	2 pcs
17a	07341008 / 07344008 / 07346008	Single Roller Assembly (top) for 6mm (1/4in) Glass	2 pcs
17b	07341009 / 07344009 / 07346009	Single Roller Assembly (bottom) for 6mm (1/4in) Glass	2 pcs
18	07221051 / 07224051 / 07226051	Towel Bar Assembly for 6mm (1/4in) Glass	1 pc
---	07550009	Roller Stopper (pre-attached to #03)	4 pcs

**BOLD digit indicates finish: 1 = Chrome; 4 = Brushed Nickel; 06 = Oil Rubbed Bronze**

Contact [Support@DreamLine.com](mailto:Support@DreamLine.com) for Part replacement, installation assistance or additional information  
Complete **Warranty** information is available on [DreamLine.com](http://DreamLine.com)



## Product Parts Information

INFINITY-Z 54x72 Frosted Glass		FACTORY PARTS INFORMATION	
ITEM #	FACTORY PART NUMBER	ITEM DESCRIPTION	QTY
01	04002011-1830 / 04002041-1830 / 04002061-1830	Left or Right Glass Profile for 6mm (1/4in) Glass	2 pcs
02	04183011-1830 / 04183041-1830 / 04183061-1830	Left or Right Wall Profile	2 pcs
03	04001011-1283 / 04004011-1283 / 04006011-1283	Top or Bottom Guide Rail	2 pcs
04	010022013	Door Glass	1 pc
05	010022012	Inline Panel Glass	1 pc
06	07221006 / 07224006 / 07226006	Single Sided Curved Handle with Knob for 6mm (1/4in) Glass	1 pc
07a	063001060-1743	Vinyl Seal with a Flexible Fin for 6mm (1/4in) Glass (for panel)	1 pc
07b	063001060-1814	Vinyl Seal with a Flexible Fin for 6mm (1/4in) Glass (for door)	2 pcs
08	060001000-1765	Push-in Glazing Vinyl for 6mm (1/4in) Glass	1 pc
09	091131	ST4.0 x 55mm Pan Head Screw	11 pcs
10	091104	ST4.0 x 25mm Pan Head Screw	11 pcs
11	091101	ST4.0 x 10mm Pan Head Screw	7 pcs
12	092102	ST4.2 x 16mm Countersunk Screw (pre-attached to #03)	4 pcs
12	092102	ST4.2 x 16mm Countersunk Screw	2 pcs
13	07551011 / 07554011 / 07556011	Decorative Cover and Washer	7 pcs
14	07550045	Wall Anchor 8mm (5/16in)	11 pcs
15	060007060-1800	Vinyl Insert for Glass Profile	1 pc
16	07551014 / 07554014 / 07556014	Glass Clip for 6mm (1/4in) Glass	2 pcs
17a	07341008 / 07344008 / 07346008	Single Roller Assembly (top) for 6mm (1/4in) Glass	2 pcs
17b	07341009 / 07344009 / 07346009	Single Roller Assembly (bottom) for 6mm (1/4in) Glass	2 pcs
18	07221051 / 07224051 / 07226051	Towel Bar Assembly for 6mm (1/4in) Glass	1 pc
---	07550009	Roller Stopper (pre-attached to #03)	4 pcs

**BOLD digit indicates finish: 1 = Chrome; 4 = Brushed Nickel; 06 = Oil Rubbed Bronze**

Contact [Support@DreamLine.com](mailto:Support@DreamLine.com) for Part replacement, installation assistance or additional information  
Complete **Warranty** information is available on [DreamLine.com](http://DreamLine.com)

## Product Parts Information

INFINITY-Z 60x72 Clear Glass		FACTORY PARTS INFORMATION	
ITEM #	FACTORY PART NUMBER	ITEM DESCRIPTION	QTY
01	04002011-1830 / 04002041-1830 / 04002061-1830	Left or Right Glass Profile for 6mm (1/4in) Glass	2 pcs
02	04183011-1830 / 04183041-1830 / 04183061-1830	Left or Right Wall Profile	2 pcs
03	04001011-1437 / 04004011-1437 / 04006011-1437	Top or Bottom Guide Rail	2 pcs
04	010021010	Door Glass	1 pc
05	010022004	Inline Panel Glass	1 pc
06	07221006 / 07224006 / 07226006	Single Sided Curved Handle with Knob for 6mm (1/4in) Glass	1 pc
07a	063001060-1743	Vinyl Seal with a Flexible Fin for 6mm (1/4in) Glass (for panel)	1 pc
07b	063001060-1814	Vinyl Seal with a Flexible Fin for 6mm (1/4in) Glass (for door)	2 pcs
08	060001000-1765	Push-in Glazing Vinyl for 6mm (1/4in) Glass	1 pc
09	091131	ST4.0 x 55mm Pan Head Screw	11 pcs
10	091104	ST4.0 x 25mm Pan Head Screw	11 pcs
11	091101	ST4.0 x 10mm Pan Head Screw	7 pcs
12	092102	ST4.2 x 16mm Countersunk Screw (pre-attached to #03)	4 pcs
12	092102	ST4.2 x 16mm Countersunk Screw	2 pcs
13	07551011 / 07554011 / 07556011	Decorative Cover and Washer	7 pcs
14	07550045	Wall Anchor 8mm (5/16in)	11 pcs
15	060007060-1800	Vinyl Insert for Glass Profile	1 pc
16	07551014 / 07554014 / 07556014	Glass Clip for 6mm (1/4in) Glass	2 pcs
17a	07341008 / 07344008 / 07346008	Single Roller Assembly (top) for 6mm (1/4in) Glass	2 pcs
17b	07341009 / 07344009 / 07346009	Single Roller Assembly (bottom) for 6mm (1/4in) Glass	2 pcs
18	07221023 / 07224023 / 07226023	Towel Bar Assembly for 6mm (1/4in) Glass	1 pc
---	07550009	Roller Stopper (pre-attached to #03)	4 pcs

**BOLD digit indicates finish: 1 = Chrome; 4 = Brushed Nickel; 06 = Oil Rubbed Bronze**

Contact [Support@DreamLine.com](mailto:Support@DreamLine.com) for Part replacement, installation assistance or additional information  
Complete **Warranty** information is available on [DreamLine.com](http://DreamLine.com)

## Product Parts Information

INFINITY-Z 60x72 Frosted Glass		FACTORY PARTS INFORMATION	
ITEM #	FACTORY PART NUMBER	ITEM DESCRIPTION	QTY
01	04002011-1830 / 04002041-1830 / 04002061-1830	Left or Right Glass Profile for 6mm (1/4in) Glass	2 pcs
02	04183011-1830 / 04183041-1830 / 04183061-1830	Left or Right Wall Profile	2 pcs
03	04001011-1437 / 04004011-1437 / 04006011-1437	Top or Bottom Guide Rail	2 pcs
04	010021011	Door Glass	1 pc
05	010022005	Inline Panel Glass	1 pc
06	07221006 / 07224006 / 07226006	Single Sided Curved Handle with Knob for 6mm (1/4in) Glass	1 pc
07a	063001060-1743	Vinyl Seal with a Flexible Fin for 6mm (1/4in) Glass (for panel)	1 pc
07b	063001060-1814	Vinyl Seal with a Flexible Fin for 6mm (1/4in) Glass (for door)	2 pcs
08	060001000-1765	Push-in Glazing Vinyl for 6mm (1/4in) Glass	1 pc
09	091131	ST4.0 x 55mm Pan Head Screw	11 pcs
10	091104	ST4.0 x 25mm Pan Head Screw	11 pcs
11	091101	ST4.0 x 10mm Pan Head Screw	7 pcs
12	092102	ST4.2 x 16mm Countersunk Screw (pre-attached to #03)	4 pcs
12	092102	ST4.2 x 16mm Countersunk Screw	2 pcs
13	07551011 / 07554011 / 07556011	Decorative Cover and Washer	7 pcs
14	07550045	Wall Anchor 8mm (5/16in)	11 pcs
15	060007060-1800	Vinyl Insert for Glass Profile	1 pc
16	07551014 / 07554014 / 07556014	Glass Clip for 6mm (1/4in) Glass	2 pcs
17a	07341008 / 07344008 / 07346008	Single Roller Assembly (top) for 6mm (1/4in) Glass	2 pcs
17b	07341009 / 07344009 / 07346009	Single Roller Assembly (bottom) for 6mm (1/4in) Glass	2 pcs
18	07221023 / 07224023 / 07226023	Towel Bar Assembly for 6mm (1/4in) Glass	1 pc
---	07550009	Roller Stopper (pre-attached to #03)	4 pcs

**BOLD digit indicates finish: 1 = Chrome; 4 = Brushed Nickel; 06 = Oil Rubbed Bronze**

Contact [Support@DreamLine.com](mailto:Support@DreamLine.com) for Part replacement, installation assistance or additional information  
Complete **Warranty** information is available on [DreamLine.com](http://DreamLine.com)

## Product Parts Information

INFINITY-Z 60x58 Clear Glass		FACTORY PARTS INFORMATION	
ITEM #	FACTORY PART NUMBER	ITEM DESCRIPTION	QTY
01	04002011-1474 / 04002041-1474 / 04002061-1474	Left or Right Glass Profile for 6mm (1/4in) Glass	2 pcs
02	04183011-1474 / 04183041-1474	Left or Right Wall Profile	2 pcs
03	04001011-1437 / 04004011-1437 / 04006011-1437	Top or Bottom Guide Rail	2 pcs
04	010021007	Door Glass	1 pc
05	010022001	Inline Panel Glass	1 pc
06	07221006 / 07224006	Single Sided Curved Handle with Knob for 6mm (1/4in) Glass	1 pc
07a	063001060-1387	Vinyl Seal with a Flexible Fin for 6mm (1/4in) Glass (for panel)	1 pc
07b	063001060-1458	Vinyl Seal with a Flexible Fin for 6mm (1/4in) Glass (for door)	2 pcs
08	060001000-1410	Push-in Glazing Vinyl for 6mm (1/4in) Glass	1 pc
09	0911131	ST4.0 x 55mm Pan Head Screw	11 pcs
10	0911104	ST4.0 x 25mm Pan Head Screw	11 pcs
11	0911101	ST4.0 x 10mm Pan Head Screw	7 pcs
12	092102	ST4.2 x 16mm Countersunk Screw (pre-attached to #03)	4 pcs
12	092102	ST4.2 x 16mm Countersunk Screw	2 pcs
13	07551011 / 07554011	Decorative Cover and Washer	7 pcs
14	07550045	Wall Anchor 8mm (5/16in)	11 pcs
15	060007060-1411	Vinyl Insert for Glass Profile	1 pc
16	07551014 / 07554014	Glass Clip for 6mm (1/4in) Glass	2 pcs
17a	07341008 / 07344008	Single Roller Assembly (top) for 6mm (1/4in) Glass	2 pcs
17b	07341009 / 07344009	Single Roller Assembly (bottom) for 6mm (1/4in) Glass	2 pcs
18	07221023 / 07224023	Towel Bar Assembly for 6mm (1/4in) Glass	1 pc
---	07550009	Roller Stopper (pre-attached to #03)	4 pcs

**BOLD digit indicates finish: 1 = Chrome; 4 = Brushed Nickel; 06 = Oil Rubbed Bronze**

Contact [Support@DreamLine.com](mailto:Support@DreamLine.com) for Part replacement, installation assistance or additional information  
Complete **Warranty** information is available on [DreamLine.com](http://DreamLine.com)



---

---

TEL: 866-731-2244  
FAX: 866-857-3638  
DREAMLINE.COM



For more information on DreamLine® Shower Doors and Enclosures please visit **DreamLine.com**