

INSTALLATION INSTRUCTIONS

Siphonic Ultra-High Efficiency Two-Piece Toilets

H2Optimum™ Single Flush Models 288AA / 288CA / 288DA

H2Option® Dual Flush Models 2886 / 2887 / 2889

American Standard



Thank you for selecting American Standard – the benchmark of fine quality for over 100 years. To ensure this product is installed properly, please read these instructions carefully before you begin. (Certain installations may require professional help.) Also be sure your installation conforms to local codes.

▲ CAUTION: PRODUCT IS FRAGILE. TO AVOID BREAKAGE AND POSSIBLE INJURY HANDLE WITH CARE!

NOTE: Pictures may not exactly define contour of china and components.

RECOMMENDED TOOLS AND MATERIALS

Putty Knife
Hacksaw

Regular Screwdriver
Wax Ring/Gasket

Adjustable Wrench
Flexible Supply Tube

Sealant
Closet Bolts

Tape Measure
Carpenters Level

1 REMOVE OLD TOILET

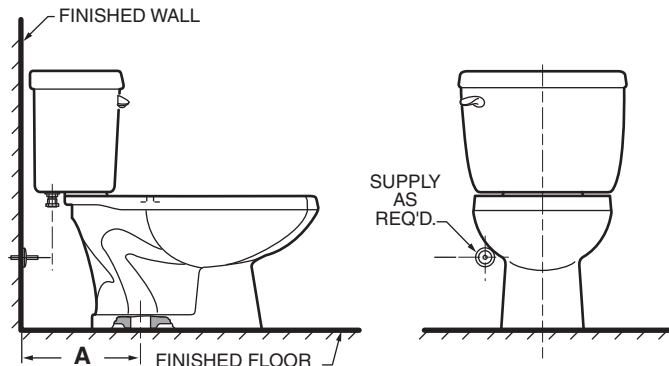
- Close toilet supply valve and flush tank completely. Towel or sponge remaining water from tank and bowl.
- Disconnect and remove supply line. NOTE: *If replacing valve, first shut off main water supply!*
- Remove old mounting hardware, remove toilet and plug floor waste opening to prevent escaping sewer gases.
- Remove closet bolts from flange and clean away old wax, putty, etc. from base area.

NOTE: Mounting surface must be clean and level **before** new toilet is installed!

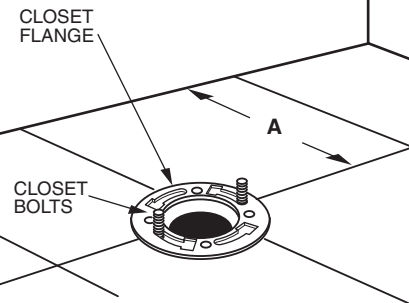
2 ROUGHING-IN DIMENSIONS:

NOTE: Distance from wall to closet flange centerline must be as listed below:

A = 12" (305mm)



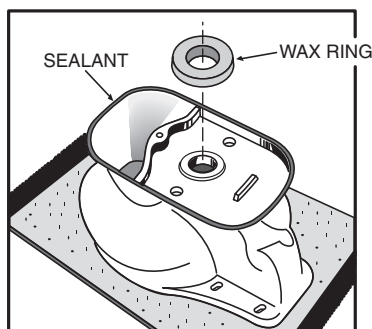
3



INSTALL CLOSET BOLTS

Install closet bolts in flange channel and slide into place parallel to wall.

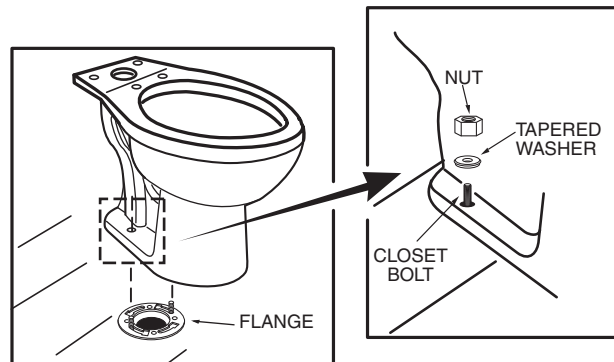
4



INSTALL WAX SEAL

Invert toilet on floor (cushion to prevent damage), and install wax ring evenly around waste flange (horn), with tapered end of ring facing toilet. Apply a thin bead of sealant around toilet base.

5



POSITION TOILET ON FLANGE

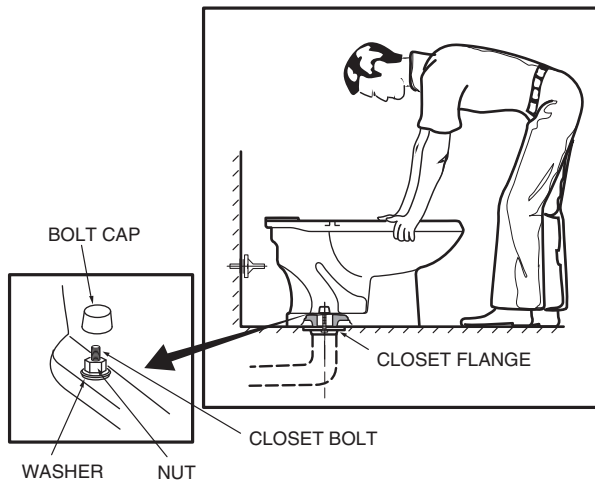
- Unplug floor waste opening and install toilet on closet flange so bolts project through mounting holes.
- Loosely install retainer washers and nuts. Side of washers marked "THIS SIDE UP" must face up!

SAVE FOR FUTURE USE



Product names listed herein are trademarks of AS America Inc.
© AS America Inc. 2015

7301416-100 Rev. J

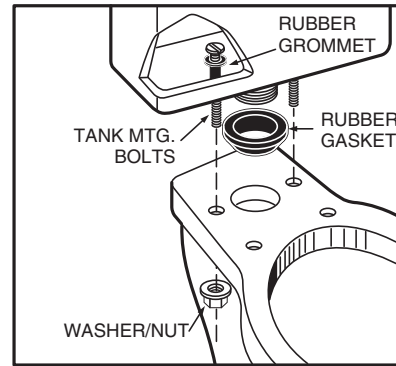
6**INSTALL TOILET**

- Position toilet squarely to wall and, with a rocking motion, press bowl down fully on wax ring and flange. Alternately tighten nuts until toilet is firmly seated on floor.



CAUTION:
DO NOT OVERTIGHTEN NUTS
OR BASE MAY BE DAMAGED!

- Install caps on washers. (If necessary, cut bolt height to size before installing caps.)
- Smooth off the bead of sealant around base. Remove excess sealant.

7**INSTALL TANK**

- Insert rubber grommets through holes in the tank then insert bolts through holes in the grommets.
- Install large rubber gasket over threaded outlet on bottom of tank and lower tank onto bowl so that tapered end of gasket fits evenly into bowl water inlet opening.
- With tank parallel to wall, alternately tighten nuts until tank is snugged down evenly against bowl surface.



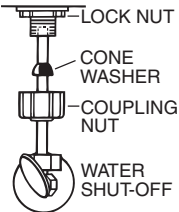
CAUTION:
DO NOT OVERTIGHTEN NUTS MORE
THAN REQUIRED FOR A SNUG FIT!

8

INSTALL TOILET SEAT Install toilet seat in accordance with manufacturer's directions.

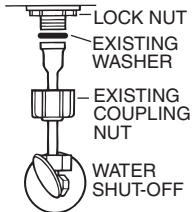
9a

Before continuing, determine the type of water supply connection you have from the chart below and use the appropriate assembly parts required to properly reconnect the water supply.

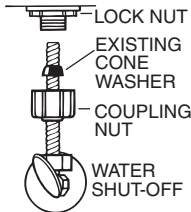
METAL / COPPER FLARED TUBING

These parts must be used as illustrated to ensure water-tight connection. Use of existing coupling nut may result in water leakage. Water supply tube or pipe must extend at least 1/2" inside threaded shank of valve (does not apply to flanged tubing).

CAUTION: DO NOT USE CONE WASHER WITH PLASTIC SUPPLY LINE.

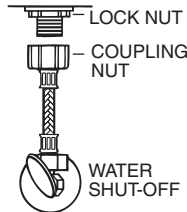
METAL FLANGED TUBING

Use existing coupling nut and washer.

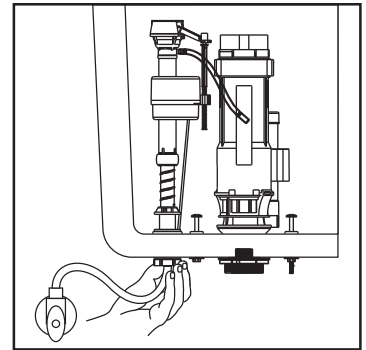
METAL SPIRAL TUBING

Use existing spiral cone washer. Fluidmaster cone washer may not seal completely on spiral type supply line.

CAUTION: Overtightening of LOCK NUT or COUPLING NUT could result in breakage and potential flooding.

VINYL / BRAIDED CONNECTOR

Captive cone washers already included. No additional washers needed.

9b

With correct washers in place (see Step 9a), tighten COUPLING NUT 1/4 turn beyond hand tight.

DO NOT OVERTIGHTEN.

WARNING: Do not use plumber's putty, pipe dope, or any other sealant on the water supply connection to this tank. If the connection leaks after hand tightening, replace the supply line. If the connection continues to leak with the new supply line, replace the fill valve.
Warranty is void if any type of sealant is used on the water supply connection.

ADJUSTMENTS

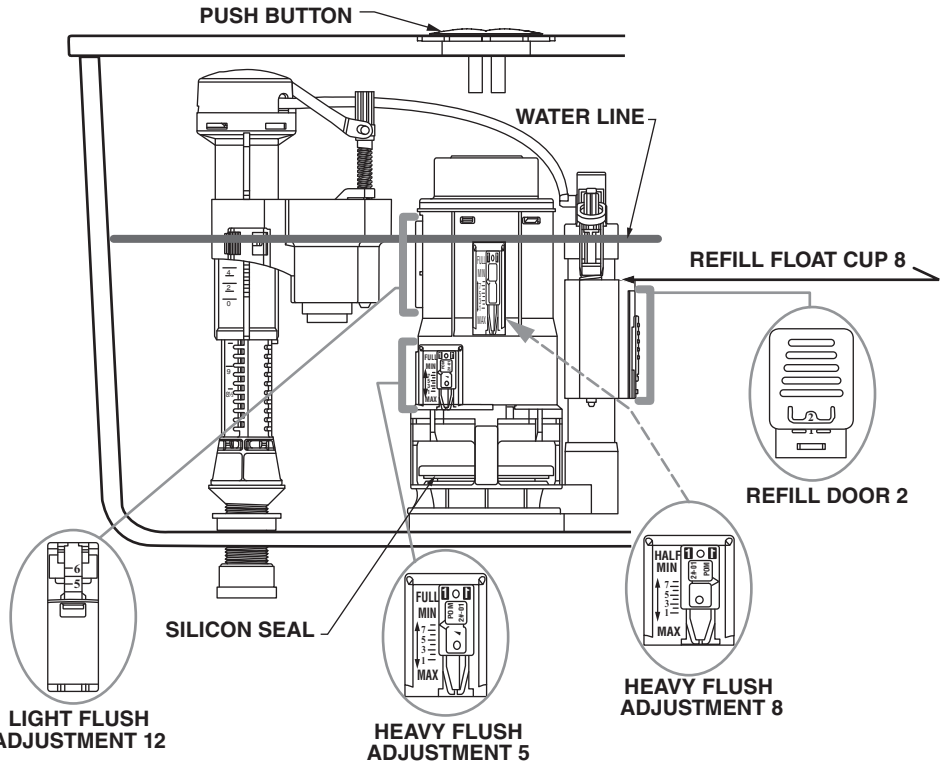
- a. Adjust water level. Water level should be adjusted to level indicated on tank by adjusting as follows:
 1. Major water level adjustment - see Page 4
 2. Minor water level adjustment - see Page 4
- b. Flush Valve Setting Adjustments:

FLUSHVALVE SETTINGS	POSITION
Heavy Flush Float	8
Heavy Flush Door	5
Light Flush Float	12
Refill Float Cup	8
Refill Door	2

- c. Refill Control set at 2

NOTE: All other settings will result in either more or less water and are not recommended.

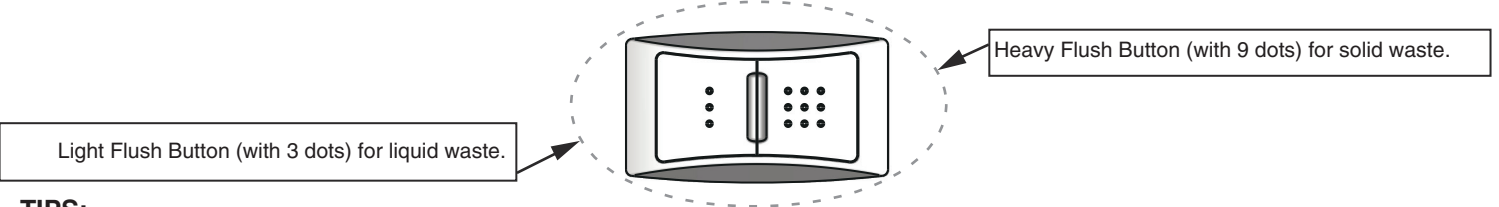
- To remove Flush Valve, apply slight downward pressure and twist it until the flush valve disengages from the bayonet.
- To reinstall Flush Valve, reverse the above procedure.



Install the Button Rods (see **A** below) by threading into lower button until 2-7/8" (75mm) rod length is achieved.

FLUSH BUTTONS ON TANK

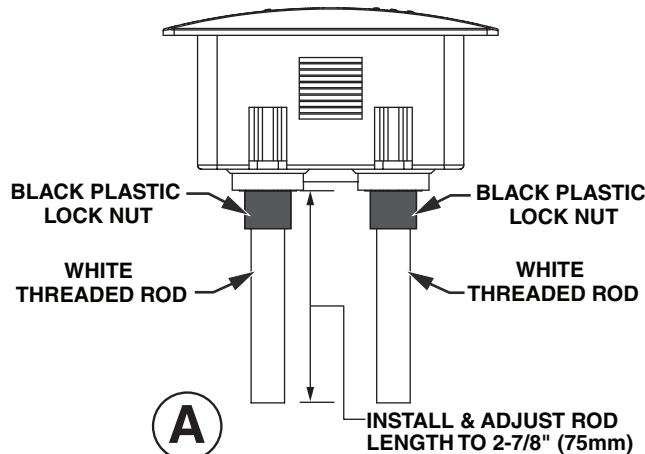
The **Light Flush Button (with 3 dots)** should line up over the **blue actuator** on the flush tower in the tank.
 The **Heavy Flush Button (with 9 dots)** should line up over the **white actuator** on the flush tower in the tank.



TIPS:

If the bowl still does not flush properly after following the steps outlined in the troubleshooting guide, remove the tank lid and push one of the flush buttons on top of the flush valve in the tank. If the flush appears to be normal, you will need to adjust the length of the threaded rods for the push buttons mounted on the tank lid with the settings as follows:

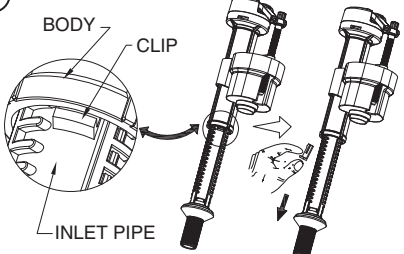
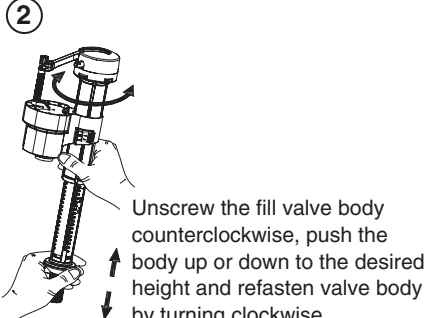
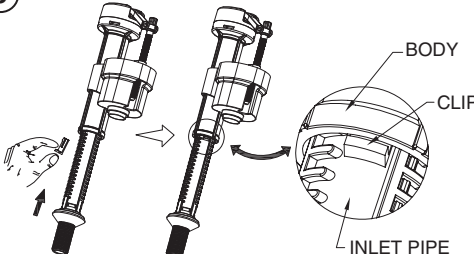
1. Turn the lid upside down.
2. Loosen the black plastic lock nut.
3. Adjust the white threaded rod one turn counterclockwise.
4. Re-tighten the black plastic lock nut.
5. Put lid back on tank and test the flush. If it is still not flushing properly, repeat Tips Steps 1 through 4 (above) until the problem is resolved.
6. If one counterclockwise turn is too much and causes the flush valve to stay open, adjust 1/2 turn clockwise and tighten lock nut.



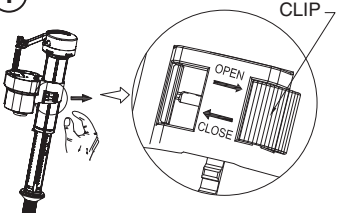
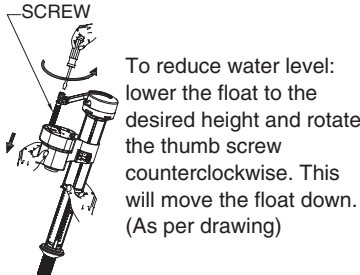
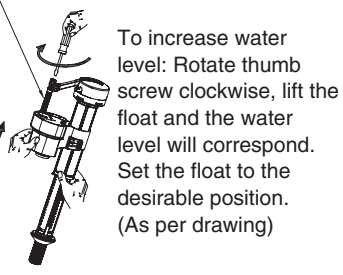
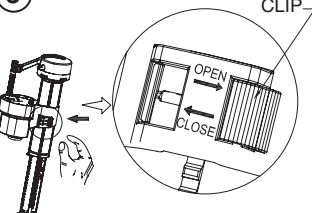
Continued on next page

WATER LEVEL ADJUSTMENT (DUAL FLUSH TANK ONLY)

MAJOR WATER ADJUSTMENT

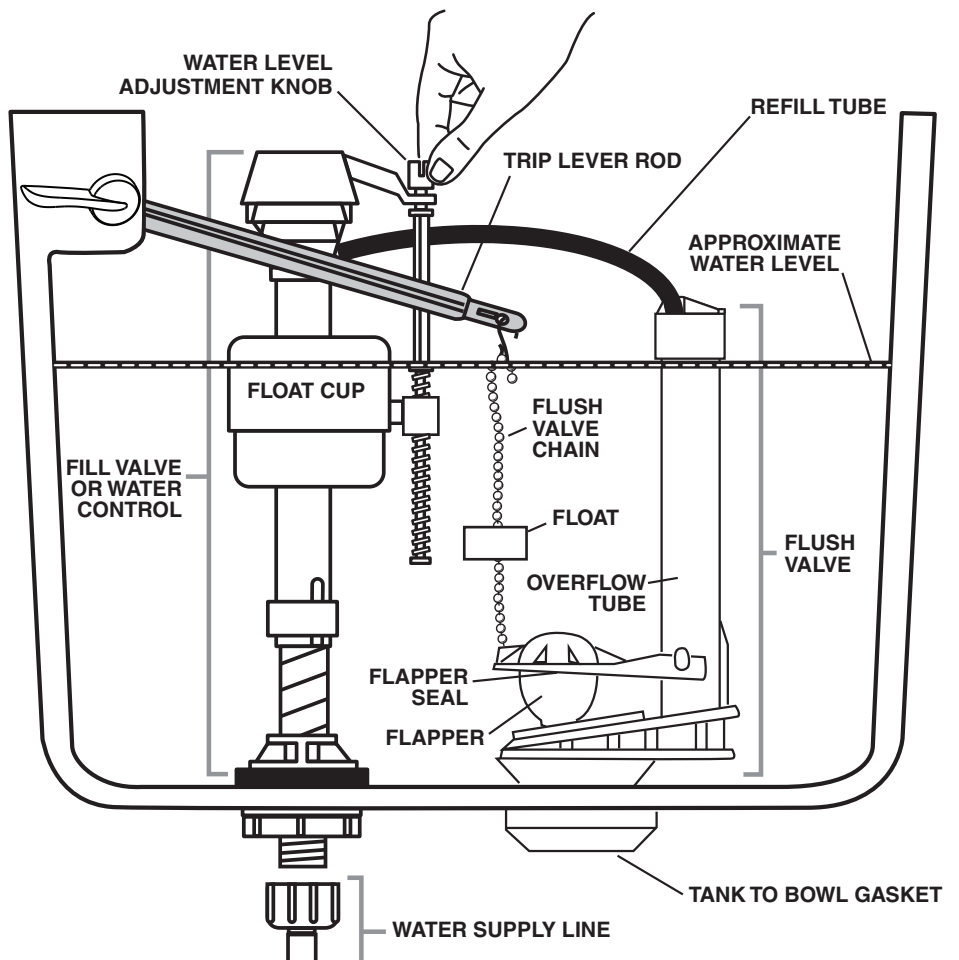
<p>1</p>  <p>Remove the clip as per the drawing.</p>	<p>2</p>  <p>Unscrew the fill valve body counterclockwise, push the body up or down to the desired height and refasten valve body by turning clockwise.</p>	<p>3</p>  <p>Install the clip as per the drawing.</p>
--	---	---

MINOR WATER ADJUSTMENT

<p>1</p>  <p>Slide tab in the "Open" direction as shown in the drawing.</p>	<p>2</p>  <p>To reduce water level: lower the float to the desired height and rotate the thumb screw counterclockwise. This will move the float down. (As per drawing)</p>	<p>3</p>  <p>To increase water level: Rotate thumb screw clockwise, lift the float and the water level will correspond. Set the float to the desirable position. (As per drawing)</p>	<p>3</p>  <p>Slide the tab to the "CLOSE" position as per the drawing.</p>
--	--	--	--

11 SINGLE FLUSH MODELS ONLY

Adjust water level to level indicated on tank by turning water level adjustment knob to move float cup up or down.



* for *SINGLE FLUSH* Models ONLY

** for *DUAL FLUSH* Models ONLY

TROUBLESHOOTING GUIDE

Problem	Possible Cause	Corrective Action
Does not flush	a. Water supply valve closed. b. Supply line blocked.	a. Open valve and allow water to fill tank. b. Shut off water supply, disconnect supply line and inspect all gaskets and washers. Reassemble.
	*c. Flush valve chain too loose or disconnected.	*c. Readjust chain length as required. See Step 11.
	**c. Push button requires adjustment.	**c. Install Push Button Rods for 2-7/8" (75mm) extended length. See Step 10.
	d. Sand or debris lodged in water control.	*d. Shut off water supply. Remove cap and clean as per Fluidmaster maintenance instructions at: www.americanstandard-us.com/enews/fluidmasterguide.pdf **d. Shut off water supply. Remove supply line, remove & clean inlet port filter.
Poor or sluggish flush	a. Bowl water level too low. b. Supply valve partly closed. c. Partially clogged trapway and/or drain pipe and/or vent. d. Supply pressure too low.	a. Check that refill tube is connected to water control and inserted into overflow tube without being kinked or damaged. b. Open supply valve fully. Be sure that proper supply tube size is used. c. Remove obstruction. Consult a plumber if necessary. d. Normal supply pressure must be at least 20 psi.
Toilet leaks	a. Poor supply line connection. b. Poor bowl to tank/floor connection.	a. Review Steps 9a and 9b of installation procedure. b. Review Steps 1 through 7 of installation procedure.
Toilet does not shut off	a. Flapper seal leaking or deformed.	a. Clean debris from seal surface. Replace flapper seal as needed.
	b. Sand or debris lodged in water control.	*b. Shut off water supply. Remove cap and clean as per Fluidmaster maintenance instructions at: www.americanstandard-us.com/enews/fluidmasterguide.pdf **b. Shut off water supply. Remove supply line, remove & clean filter inlet port.
	*c. Flush valve chain too tight, holding flapper open.	*c. Readjust chain length as needed. See Step 11.
Toilet bowl rocks after installation	a. Wax ring not fully compressed. b. Floor not level.	a. Retighten bowl-to-floor knobs. b. Use toilet shims and /or place a bead of caulk around the base of the toilet.

CARE AND CLEANING

When cleaning your toilet, wash it with mild, soapy water, rinse thoroughly with clear water and dry with a soft cloth. Avoid detergents, disinfectants, or cleaning products in aerosol cans. NEVER use abrasive scouring powders or abrasive pads on your toilet seat. Some bathroom chemicals and cosmetics may damage the seat's finish.

⚠ WARNING: Do not use in-tank cleaners. Products containing chlorine (calcium hypochlorite) can seriously damage fittings in the tank. This damage can cause leakage and property damage.

American Standard shall not be responsible or liable for any tank fitting damage caused by the use of cleaners containing chlorine (calcium hypochlorite).

In the United States:

American Standard Brands
P.O. Box 6820
Piscataway, New Jersey 08855
Attention: Director of Customer Care
For residents of the United States, warranty information may also be obtained by calling the following toll free number: (800) 442-1902
www.americanstandard.com

In Canada:

AS Canada, ULC
5900 Avebury Rd.
Mississauga, Ontario
Canada L5R 3M3
Toll Free: (800) 387-0369
www.americanstandard.ca

In Mexico:

American Standard B&K Mexico
S. de R.L. de C.V.
Via Morelos #330
Col. Santa Clara
Ecatepec 55540 Edo. Mexico
Toll Free: 01-800-839-1200
www.americanstandard.com.mx