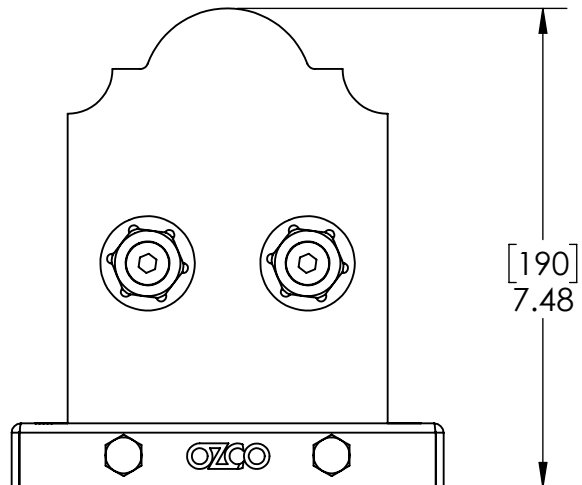
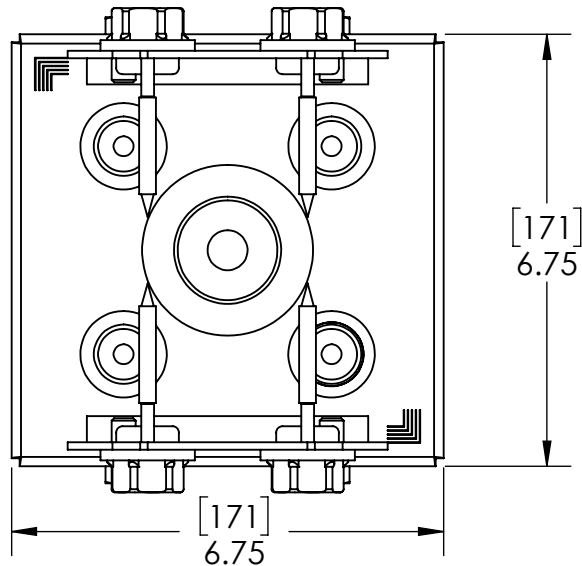


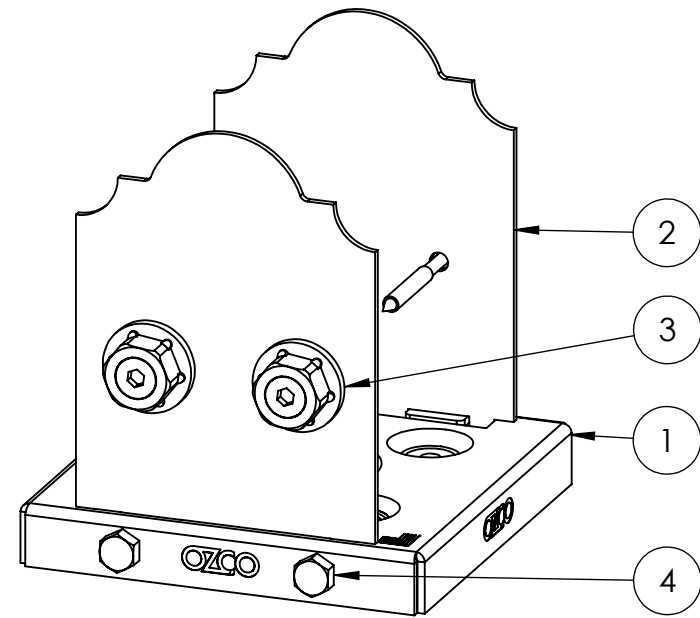
# Product & Packaging Specs

## Lite 6x6 Post Base (6x6-PB-LSL)

Item #: 54208



ITEM NO.	QTY.	PART NUMBER	DESCRIPTION
1	1	54208-11	6x6 Post Base Light II
2	2	54208-12	Plate, Lite 6x6 Post Base Compression, Laredo Sunset
3	0.16	56626	Screw, OWT 2-3/4" (70mm) Timber with HCN
4	4	HBOLT 0.3750-16x0.75x0.75-N	



Weight: 4.68 LBS  
 Scale: 1:3  
 Last updated: 11/2/2017

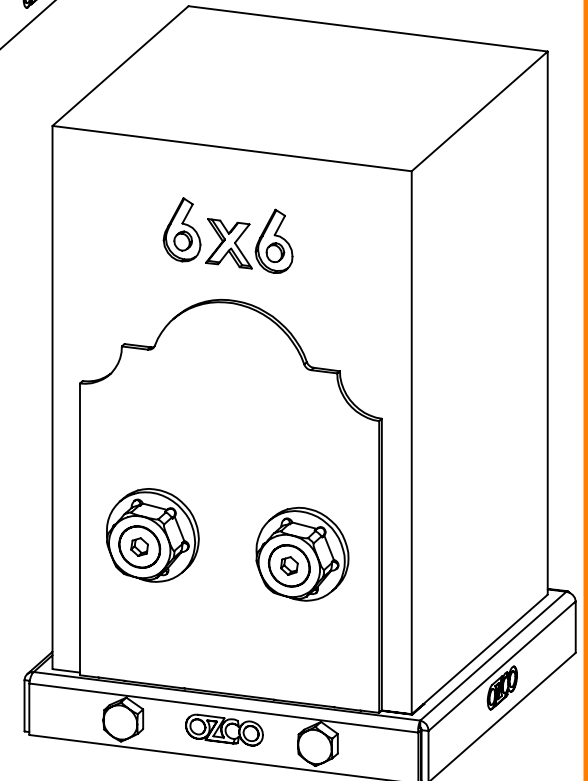
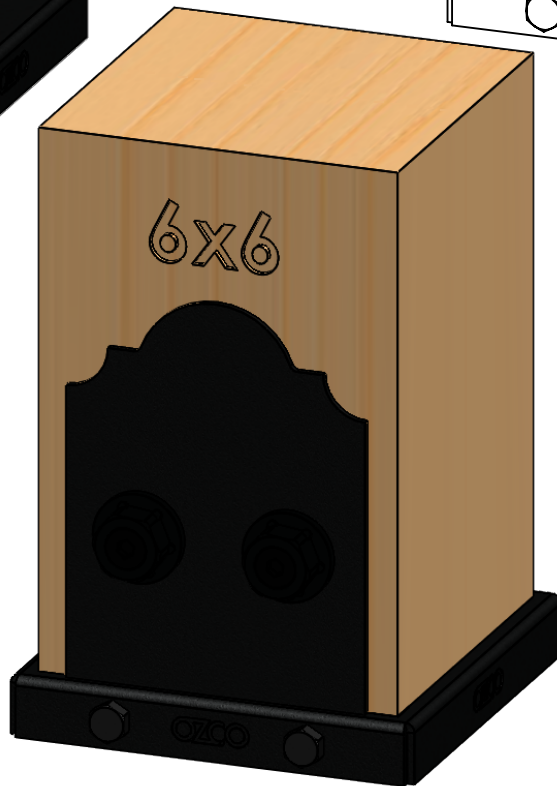
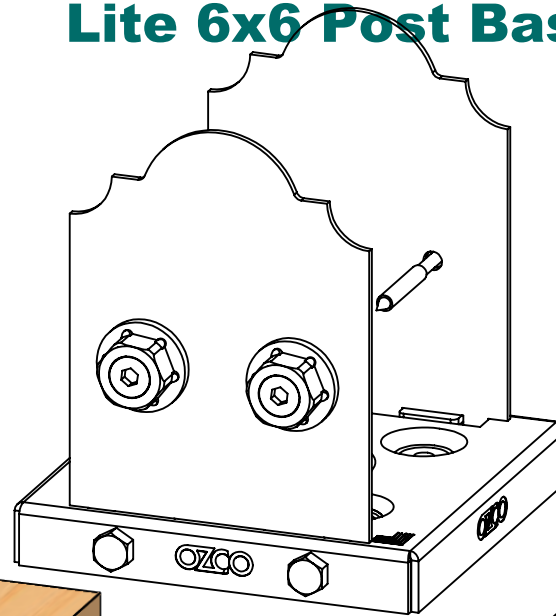
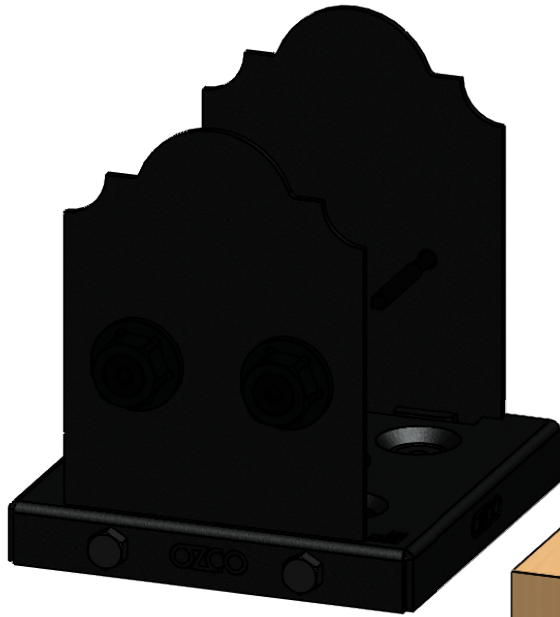
54208



# Product & Packaging Specs

## Lite 6x6 Post Base (6x6-PB-LSL)

Item #: 54208



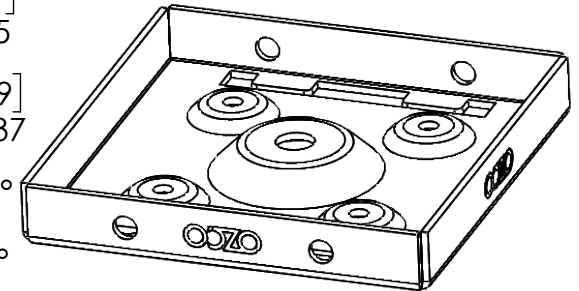
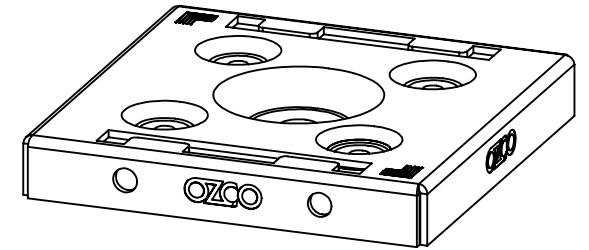
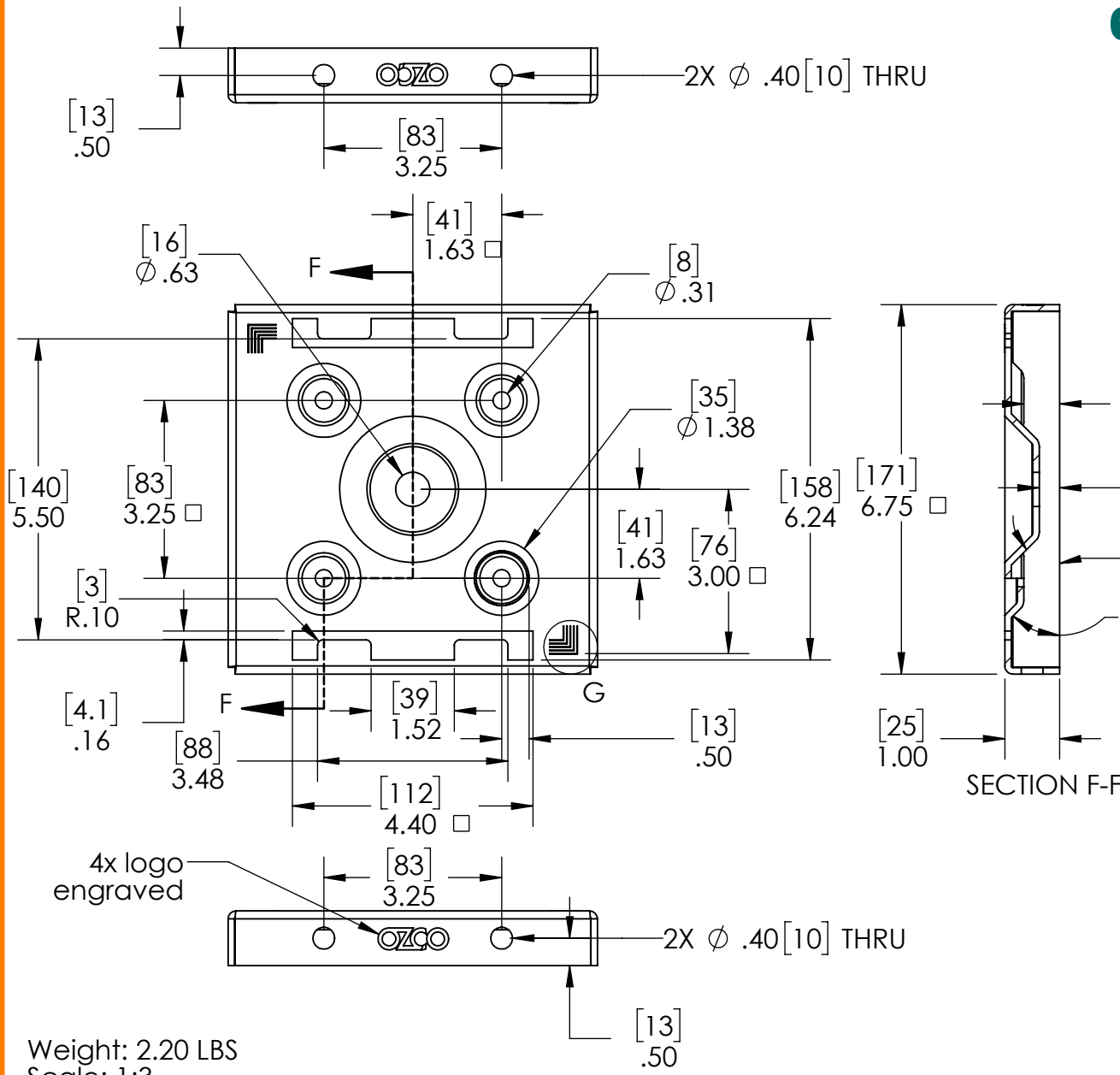
Weight: 4.68 LBS  
Scale: 1:1  
Last updated: 11/2/2017

54208

# Product & Packaging Specs

## 6x6 Post Base Light II

Item #: 54208-11



Weight: 2.20 LBS  
Scale: 1:3  
Last updated: 11/2/2017

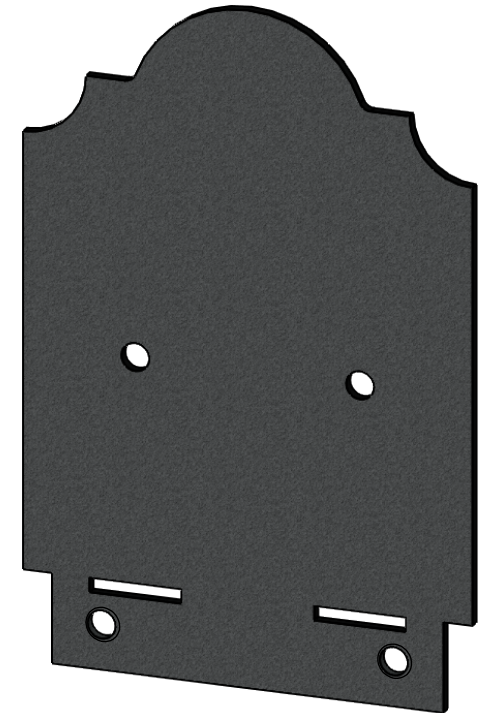
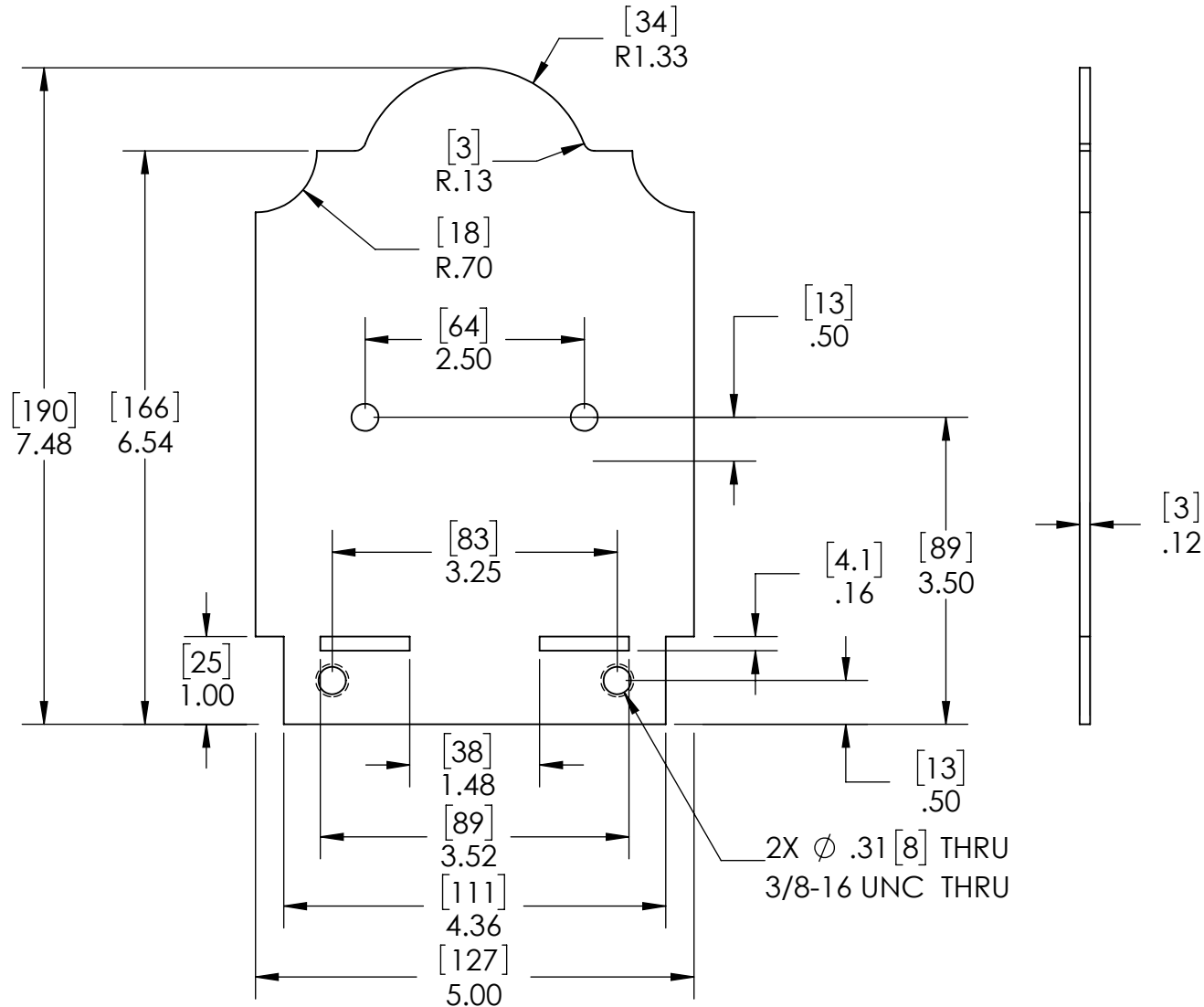
54208



# Product & Packaging Specs

## Plate, Lite 6x6 Post Base Compression, Laredo Sunset

Item #: 54208-12



Weight: 1.09 LBS  
 Scale: 1:2  
 Last updated: 11/2/2017

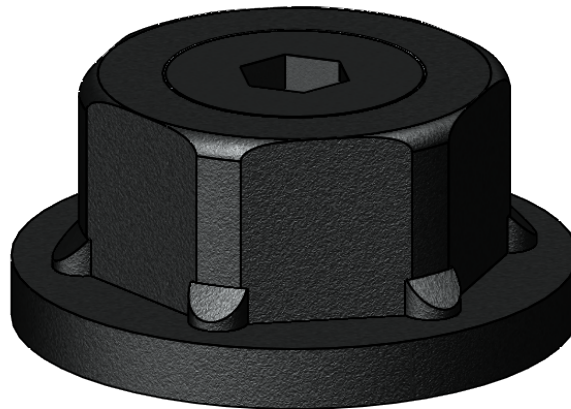
54208



# Product & Packaging Specs

## 1 1/2" Hex Cap Nut (HCN)

Item #: 56621



Weight: 0.04 LBS  
Scale: 1:1  
Last updated: 11/2/2017

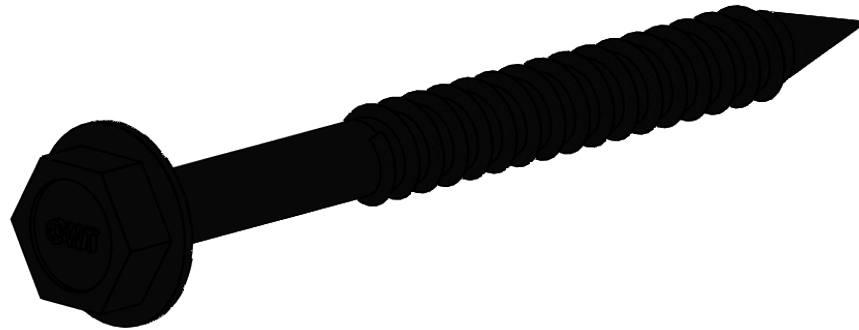
for additional details, see drawing 56621



# Product & Packaging Specs

## Screw, OWT 2-3/4" (70mm) Timber

Item #: 56626



Weight: 0.02 LBS  
Scale: 2:1  
Last updated: 11/2/2017

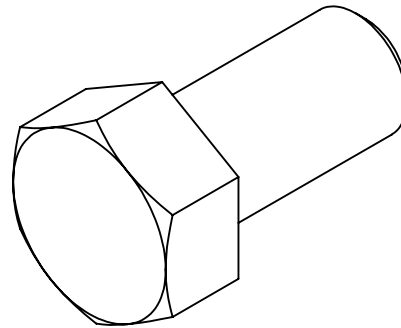
for additional details, see drawing OWT Timber Screws

54208

V2.00 - Installation Instructions, Specifications and Project Plans are effective 11/2/2017 . This information is updated periodically and should not be relied upon after 2 years from 11/2/2017 . Please visit [OZCOBP.com](http://OZCOBP.com) to get current information.

# Product & Packaging Specs

Item #:



Weight: LBS  
Scale: 2:1  
Last updated: 11/2/2017

54208



# Product & Packaging Specs

## Lite 6x6 Post Base (6x6-PB-LSL)

Item #: 54208

Weight: 4.68 LBS  
Scale: 1:1  
Last updated: 11/2/2017

54208





# Product & Packaging Specs

## Lite 6x6 Post Base (6x6-PB-LSL)

Item #: 54208

Weight: 4.68 LBS  
Scale: 1:1  
Last updated: 11/2/2017

54208



# Product & Packaging Specs

## Lite 6x6 Post Base (6x6-PB-LSL)

Item #: 54208

Weight: 4.68 LBS  
Scale: 1:1  
Last updated: 11/2/2017

54208

additional box packing instructions

- cellophane clear wrap package



# Product & Packaging Specs

## Lite 6x6 Post Base (6x6-PB-LSL)

Item #: 54208

Weight: 4.68 LBS  
Scale: 1:1  
Last updated: 11/2/2017

54208



# Product & Packaging Specs

## Lite 6x6 Post Base (6x6-PB-LSL)

Item #: 54208

**54308**

Weight: 4.68 LBS  
Scale: 1:1  
Last updated: 11/2/2017

**54208**



# Product & Packaging Specs

## Lite 6x6 Post Base (6x6-PB-LSL)

Item #: 54208

**54408**

Weight: 4.68 LBS  
Scale: 1:1  
Last updated: 11/2/2017

### additional pallet packing instructions

- plywood on top layer
- strap to pallet
- clear wrap around boxes

**54208**