

SHOWER ARM DIVERTER K-98770

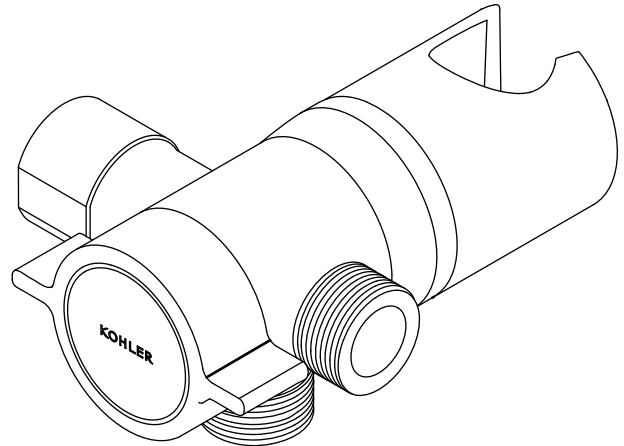
Features

- Allows a handshower to be added to your shower
- Easily mounts on the shower arm
- Fits most standard handshower hoses, handshowers, and showerheads
- Corrosion resistant finish
- Includes a showerhead to handshower diverter
- Includes a 2.5 gal/min (9.5 l/min) flow restrictor
- Lifetime warranty
- 4-1/16" (103 mm) x 2" (51 mm) x 3-1/8" (79 mm)

Codes/Standards Applicable

Specified model meets or exceeds the following:

- ASME A112.18.1/CSA B125.1



Colors/Finishes

- CP: Polished Chrome
- Other: Refer to Price Book for additional colors/finishes

Specified Model

Model	Description	Colors/Finishes	
K-98770	Shower arm diverter	<input type="checkbox"/> CP	<input type="checkbox"/> Other_____

Product Specification:

The shower arm diverter shall allow a handshower to be added to the shower. The shower arm diverter shall have a lifetime warranty. Shower arm diverter shall easily mount on the shower arm and have a corrosion resistant finish. The shower arm diverter shall fit most standard handshower hoses, handshowers, and showerheads and include a 2.5 gal/min (9.5 l/min) flow restrictor. Shower arm diverter shall be 4-1/16" (103 mm) in length, 2" (51 mm) in width, and 3-1/8" (79 mm) in height. Shower arm diverter shall be Kohler Model K-98770-_____.

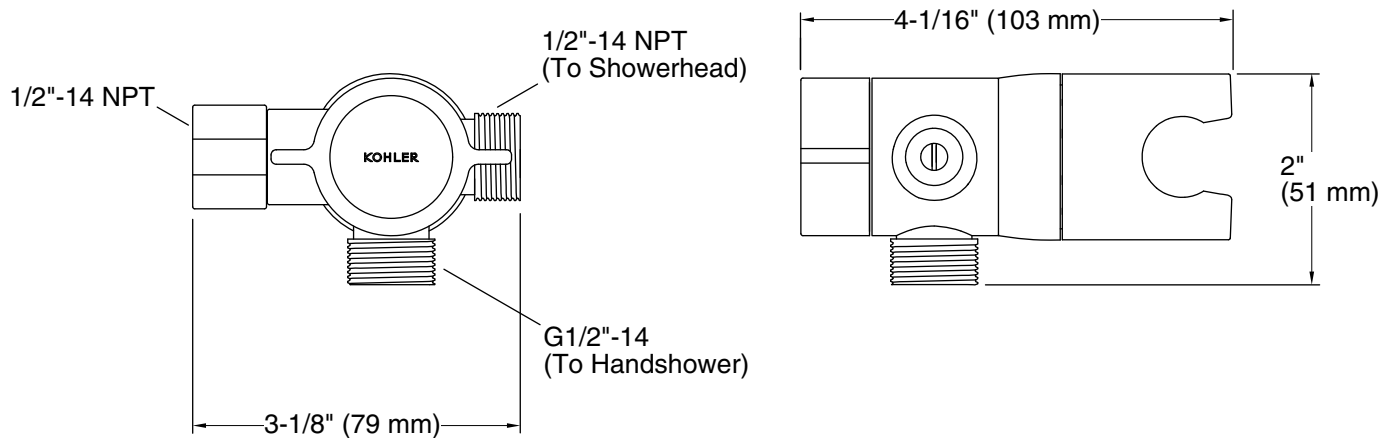
AWAKEN™

Technical Information

Applicable product:	
Shower arm diverter	K-98770

Installation Notes

Install this product according to the installation guide.



Product Diagram