

CAUTION:

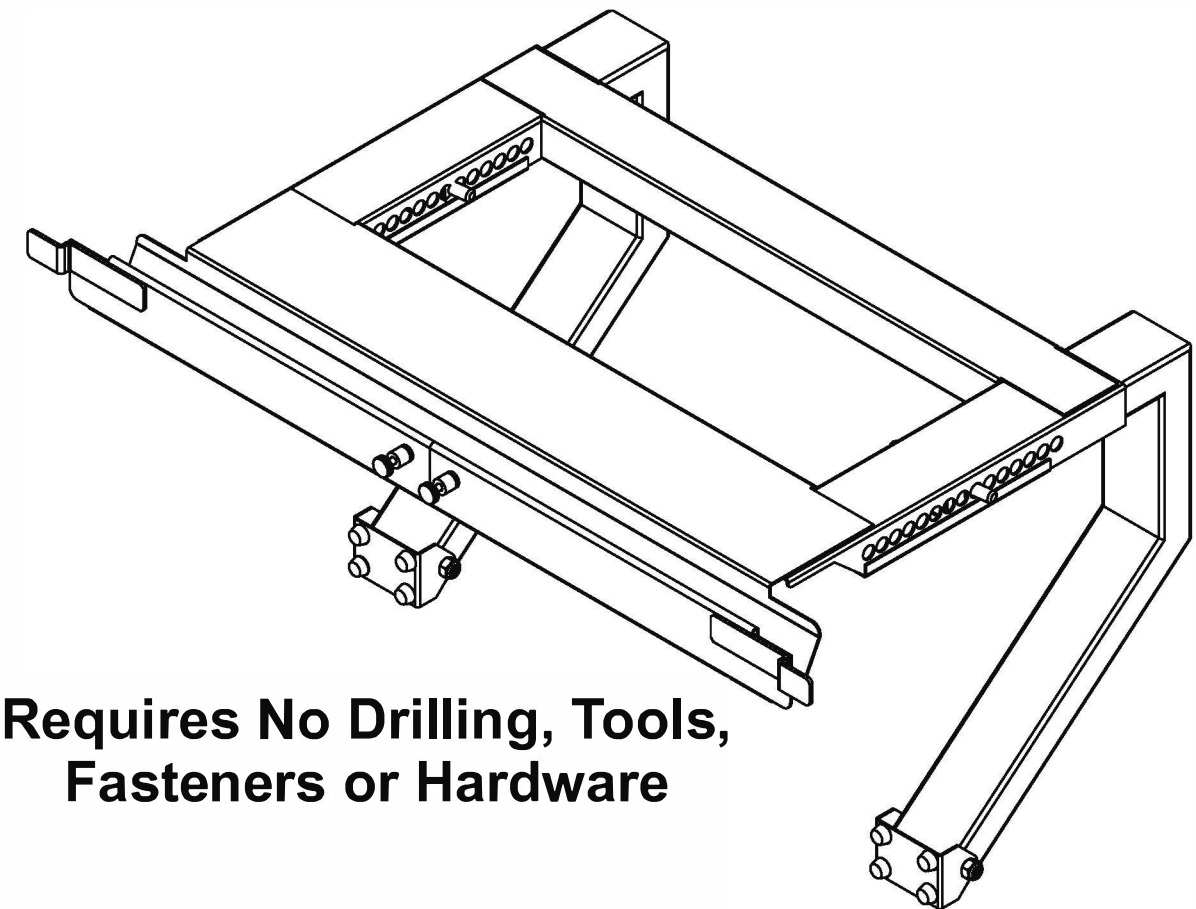
Before You Keep Cool...

- 1.** Read the enclosed instructions to ensure the safe and proper method of installing the TopShelf A/C Bracket
- 2.** Make sure the width of the window is no less than 24 inches and greater than 38 inches
- 3.** Install the TopShelf A/C Bracket from inside
- 4.** Not for use on dormers. Ensure there is Ten inches of clearance below window
- 5.** Do not fully lean out of window
- 6.** Do not overload the TopShelf A/C Bracket in excess of its maximum capacity to 200 pounds
- 7.** To ensure a proper fit, place one clip on the bottom of each side curtain and attach to the left and right wings to help secure side curtains in place
- 8.** There might be occasions when objects such as awnings, signage, lighting and masonry structures below a window may obstruct and prevent the proper installation of the TopShelf A/C Bracket
- 9.** The TopShelf A/C Bracket does not reduce, eliminate or mitigate the requirements of any air conditioner manufacturer in the mounting and installation thereof



INSTALLATION INSTRUCTIONS

(For Single, Double Hung Windows Only. Sizes 24"-38" wide.)



**Requires No Drilling, Tools,
Fasteners or Hardware**



445 Broad Hollow Road, Suite 25 • Melville, NY 11747
1-866-503-0277 • www.topshelfac.com



3 EASY STEPS

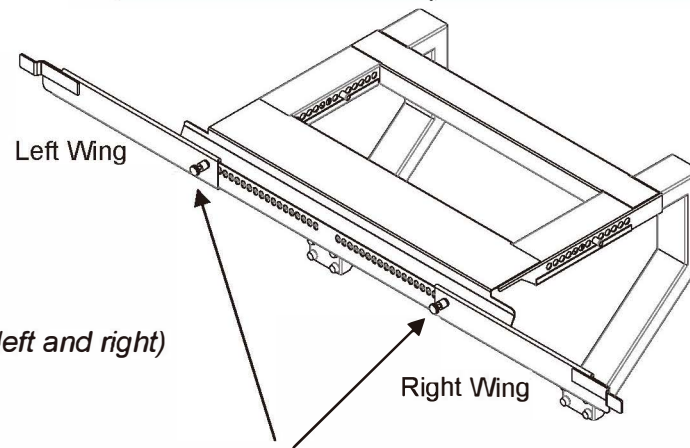
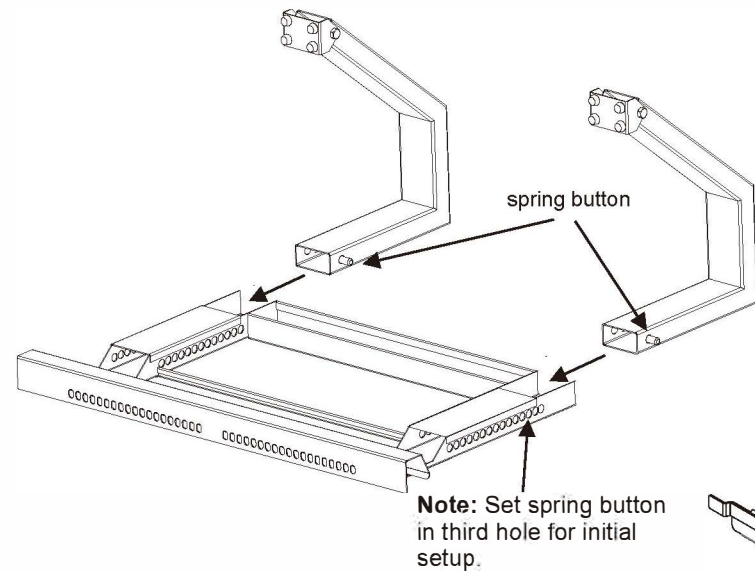
Step 1

Place bracket upside down.

Attach Legs: Slide leg into support rail while pressing **BOTH** spring buttons. Release button so that it extends out from the inner or outer hole of support rail. Repeat for second leg.

It's advisable to initially use the third hole (See Illustration).

Note: The spring button will only lock into an inner or outer hole (Not both). When adjusting the legs, the buttons will alternate and snap into only one hole at a time (Inside or outside).



Lock pins pull out to release and push in to lock into slotted holes.

Step 2

Prepare Sill Stop Wings: Slide wings (left and right) onto frame as shown in diagram.

Step 3

Place in window: Rest bracket on the bottom sill.

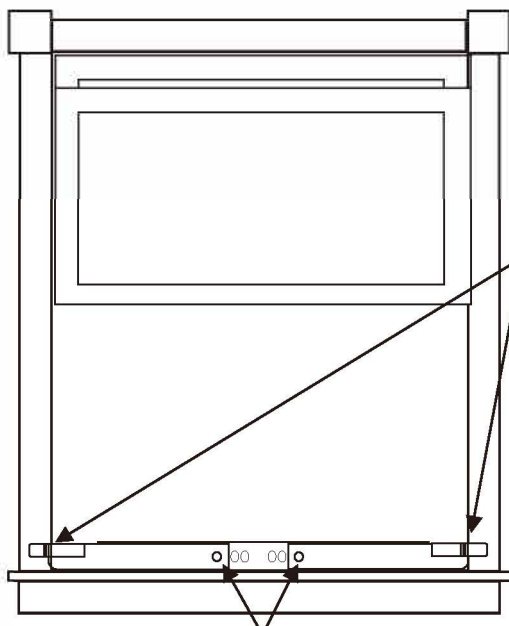
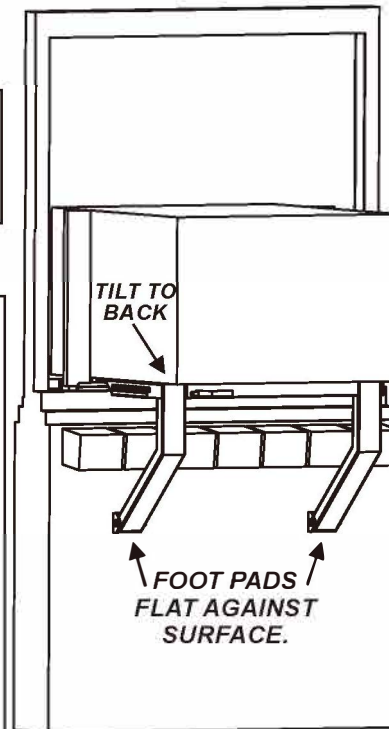
Adjust each **Sill Stop Wing** outward until the steel tabs are securely positioned against the front **OUTER WINDOW FRAME (See illustration)***

***THIS IS MANDATORY FOR PROPER SUPPORT OF A/C.**

TO ENSURE PROPER DRAINAGE, THE TOPSHELF A/C BRACKET SHOULD BE INSTALLED WITH A SLIGHT TILT ABOUT 1/4" to 1/2" DOWNWARD TOWARD THE OUTSIDE. MAKE SURE THE FOOT PADS ARE RESTING ON A FLAT, STABLE SURFACE.

This is done by pressing both spring buttons and sliding leg to firmly secure against exterior surface. **Ensure spring buttons are fully seated in hole.**

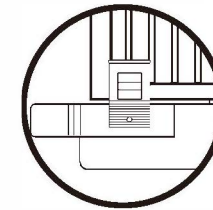
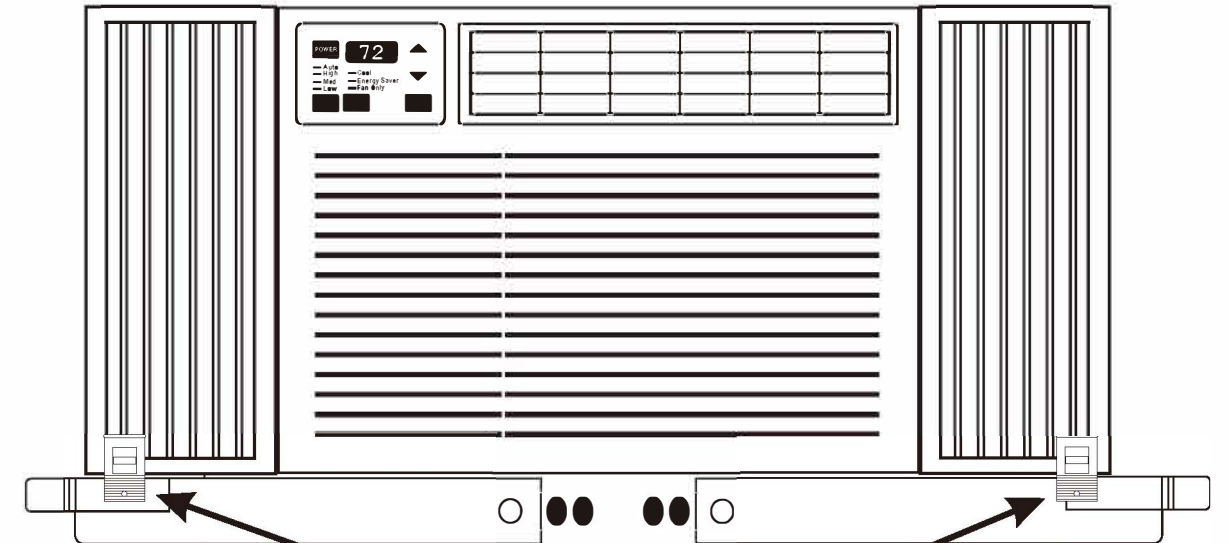
***Requires clearance of 10" below window.**



Lock each pin into the closest slot on the frame rail.

Place A/C Unit on Support Bracket: Install your A/C in accordance with the manufacturer's instructions and local and state ordinances. Be sure to provide a means to prevent the single or double hung sash from being opened above air conditioner.

Optional Clip Installation



To ensure a proper fit, place one clip on the bottom of each side curtain and attach to the left and right wings to help secure side curtains in place.

Limited Warranty TOPSHELF A/C BRACKET

The TopShelf A/C Bracket is warranted to be free from defects in materials and workmanship under normal usage for two (2) years from date of purchase (*Please keep original proof of purchase*). TopShelf A/C Corp. reserves the right to optionally repair or replace with the same or equivalent item. TopShelf A/C Corp. is not liable for any loss, cost, expense, inconvenience or damage that may result from improper installation, misuse, abuse, alteration, accident, normal wear and tear and use or inability to use the TopShelf A/C Bracket. Claims not to exceed the purchase price of the TopShelf A/C Bracket. No other warranty is expressed or implied. For warranty service or replacement part information contact Consumer Services at 1-866-503-0277.

TOPSHELF A/C CORP.
445 Broad Hollow Road, Suite 25
Melville, NY 11747
www.topshelfac.com