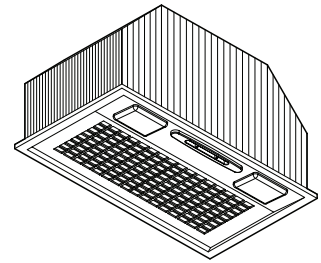


MODEL PM390 POWER PACK



FEATURES

- Multi speed control
- Centrifugal blower, 390 CFM, 6.0 Sones
- 6" round duct connector/backdraft damper
- Enclosed light
- Accepts two incandescent max. 40-watt candelabra bulb (not included)
- One piece washable aluminum mesh filter
- Durable, powder coated silver finish
- Heat Sentry™ automatically turns blower to high speed when excess cooking heat is detected
- Fully enclosed bottom
- Power supply cord included
- One Year Limited Warranty
- Recommended for use with Models LB30, LB36, LT30, and LT36 Liners
- Title 24 compliant

OPTIONAL ACCESSORIES:

- Model 357NDK Non-ducted recirculating kit (includes charcoal filter, soffit grille, 90° stack boot, and 6" to 7" round transition)
- Disposable charcoal filter kit - part no. B08999040

SPECIFICATIONS

	VOLTS	AMPS	CFM	SONES	DUCT
High Speed	120	2.9	390	6.0	6-in. round
Working Speed	120		240	2.5	6-in. round

Note: High Speed air and sound specifications are HVI Certified.

Broan-NuTone LLC certifies that Working Speed air and sound values result from tests conducted according to HVI Procedures.

TYPICAL SPECIFICATION

Power Pack shall be Broan[®] (NuTone[®]) Model PM390. Power Pack shall have a multi-speed fan switch and separate light switch.

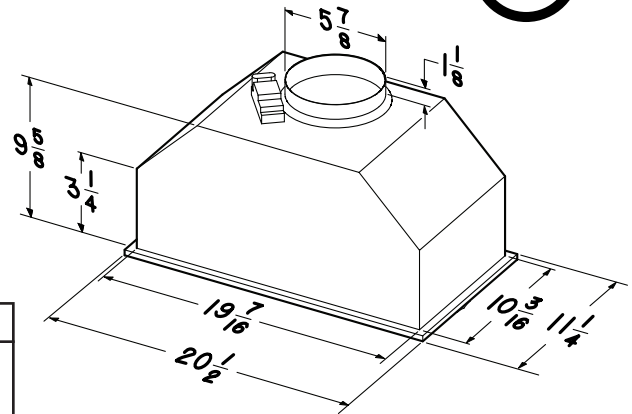
Fan must be convertible between ducted and non-ducted discharge. Ducted mode uses a washable aluminum mesh filter. Non-ducted mode uses optional, disposable charcoal filter.

Unit shall have a durable, powder coated finish.

Air delivery to be at least 390 CFM and sound levels not greater than 6.0 Sones.

Unit shall be UL and cUL listed.

Unit to be Title 24 compliant.



HVI-2100 CERTIFIED RATINGS comply with new testing technologies and procedures prescribed by the Home Ventilating Institute, for off-the-shelf products, as they are available to consumers. Product performance is rated at 0.1 in. static pressure, based on tests conducted in a state-of-the-art test laboratory. Sones are a measure of humanly-perceived loudness, based on laboratory measurements.

Broan-NuTone LLC Hartford, Wisconsin www.broan.com 800-558-1711 www.nutone.com 888-336-3948
Broan-NuTone Canada Mississauga, Ontario www.broan.ca 877-896-1119

REFERENCE	QTY.	REMARKS	Project
			Location
			Architect
			Engineer
			Contractor
			Submitted by Date