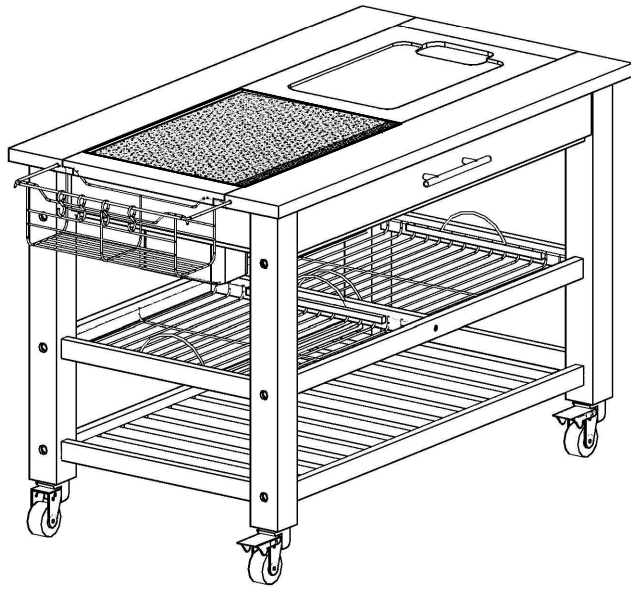
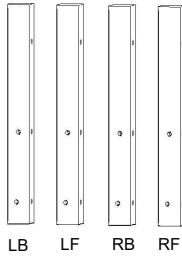


CHEF KITCHEN WORK STATION #1953  
JET 1223 - JET 1224 - JET 3186

### ASSEMBLY INSTRUCTION

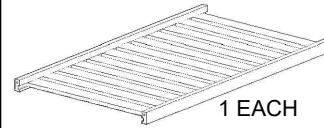


#### A. LEFT/RIGHT LEGS



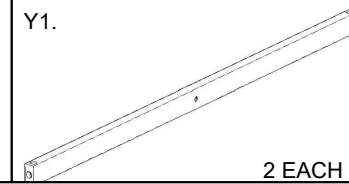
LB LF RB RF

#### B. WOODEN SLAT SHELF



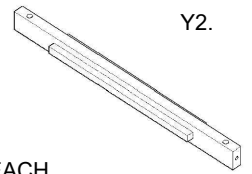
1 EACH

#### Y1.



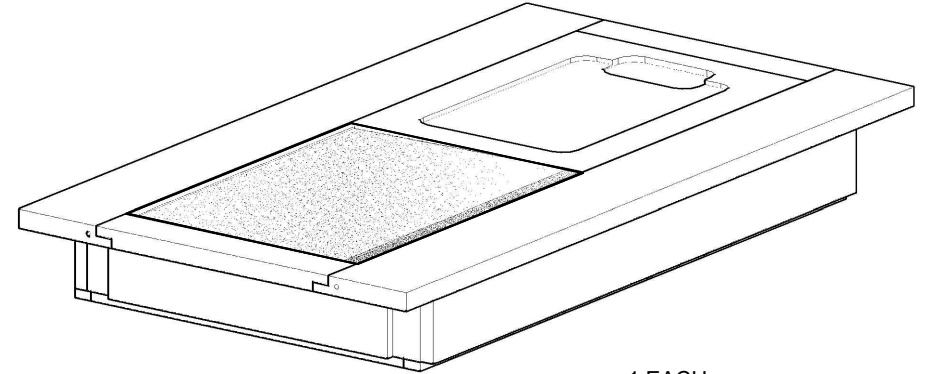
2 EACH

#### Y2.



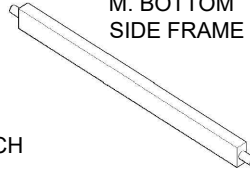
1 EACH

#### TF. TOP PART



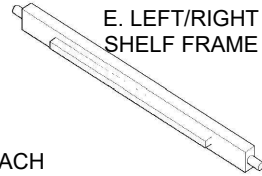
1 EACH

#### M. BOTTOM SIDE FRAME



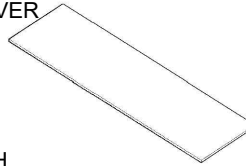
2 EACH

#### E. LEFT/RIGHT SHELF FRAME



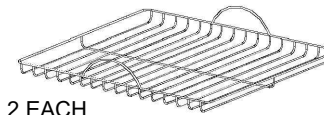
2 EACH

#### C. COVER



2 EACH

#### N. BASKET



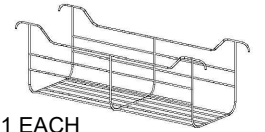
2 EACH

#### O. CHEF PAN



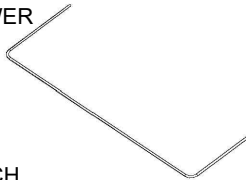
1 EACH

#### P. SPEED RACK



1 EACH

#### Q. TOWER BAR



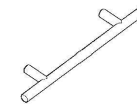
1 EACH

#### R. TRASH RING



1 EACH

#### S. HANDLE



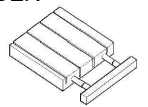
1 EACH

#### T. "S" HOOK



4 EACH

#### U. KNIFE HOLDER



1 EACH

### HARDWARE LIST

#### V. BRAKE WHEEL



2 Each

#### W. WHEEL



2 Each

#### Za. BOLT



2 Each

#### Zb. LONG BAREL BOLT



14 Each

#### Zc. PLASTIC CUSHION



6 Each

#### Zd. SMALL BOLT



2 Each

#### Zk. NATURAL WOOD PLUG



2 Each

#### Zf. WRENCH



1 Each

#### Zg. ALLEN WRENCH



1 Each

#### Zh. WOOD PLUG



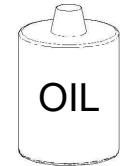
14 Each

#### Zi. BARREL NUT



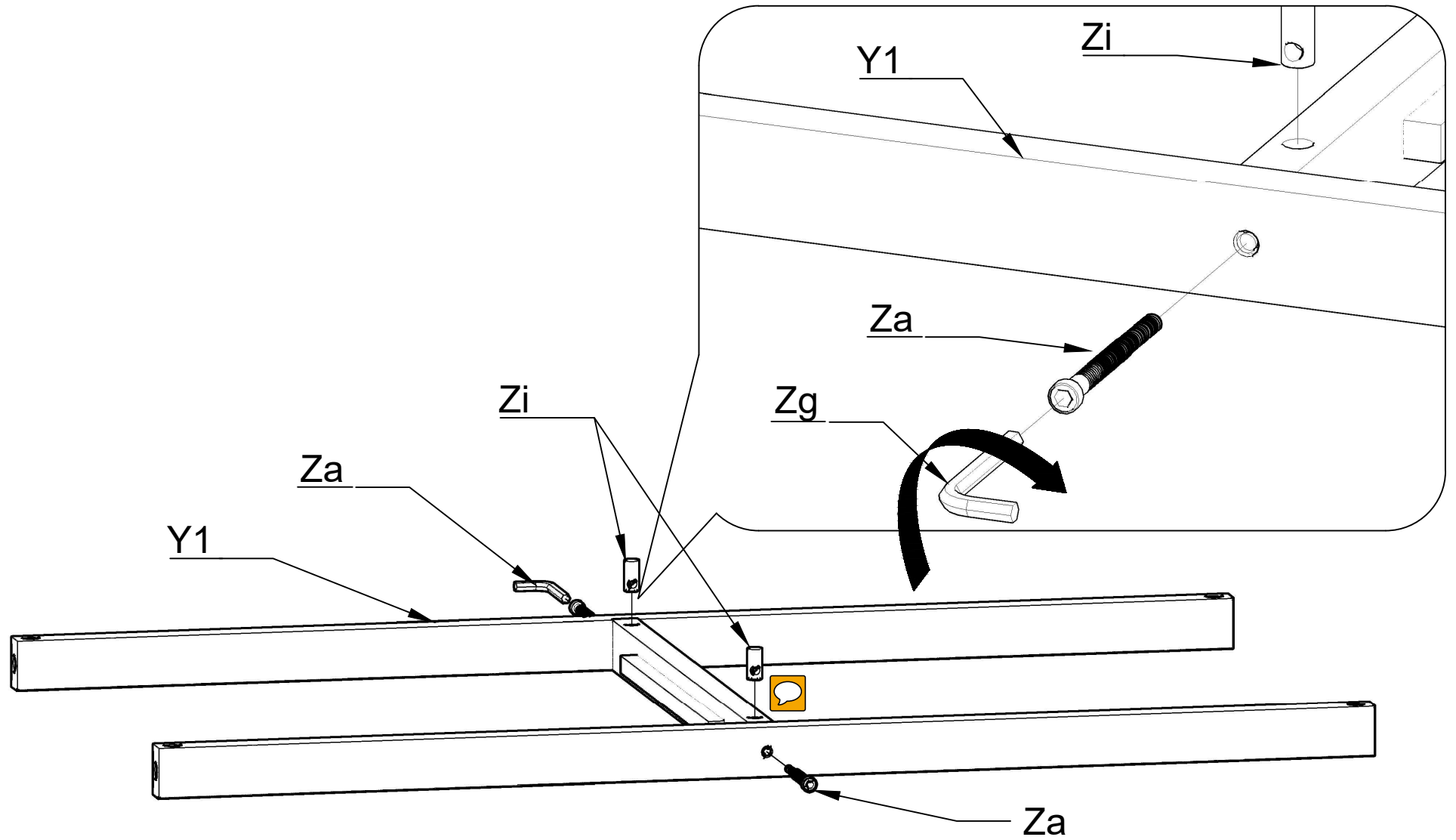
14 Each

#### Oi. OIL

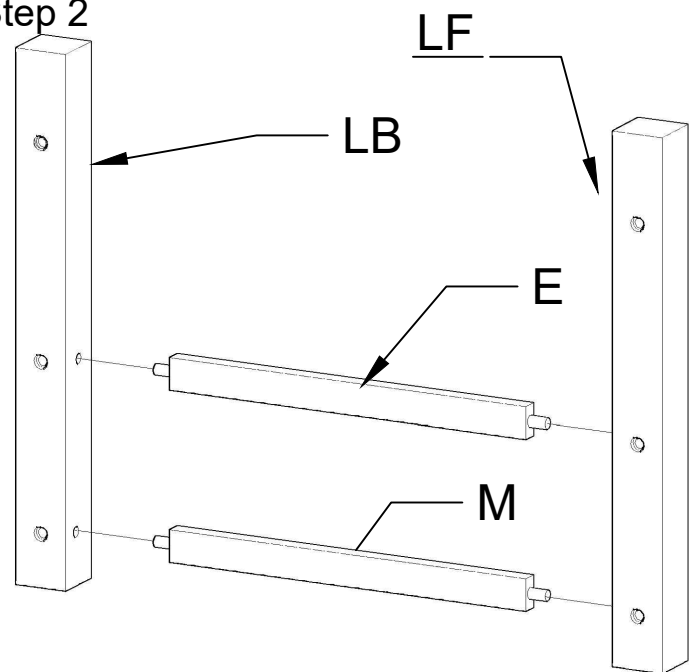


1 Each

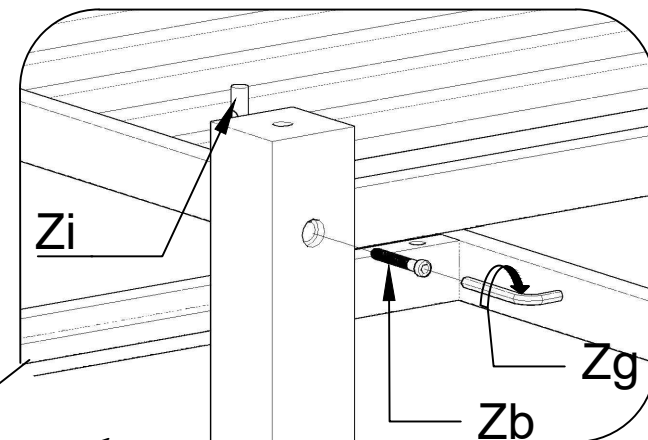
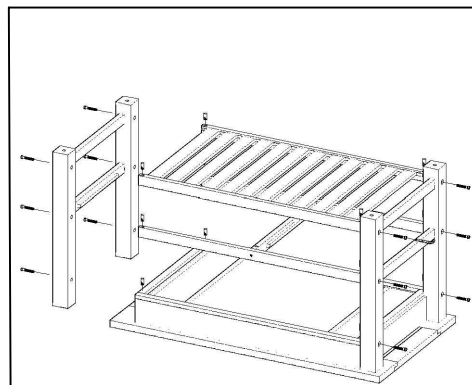
Step 1



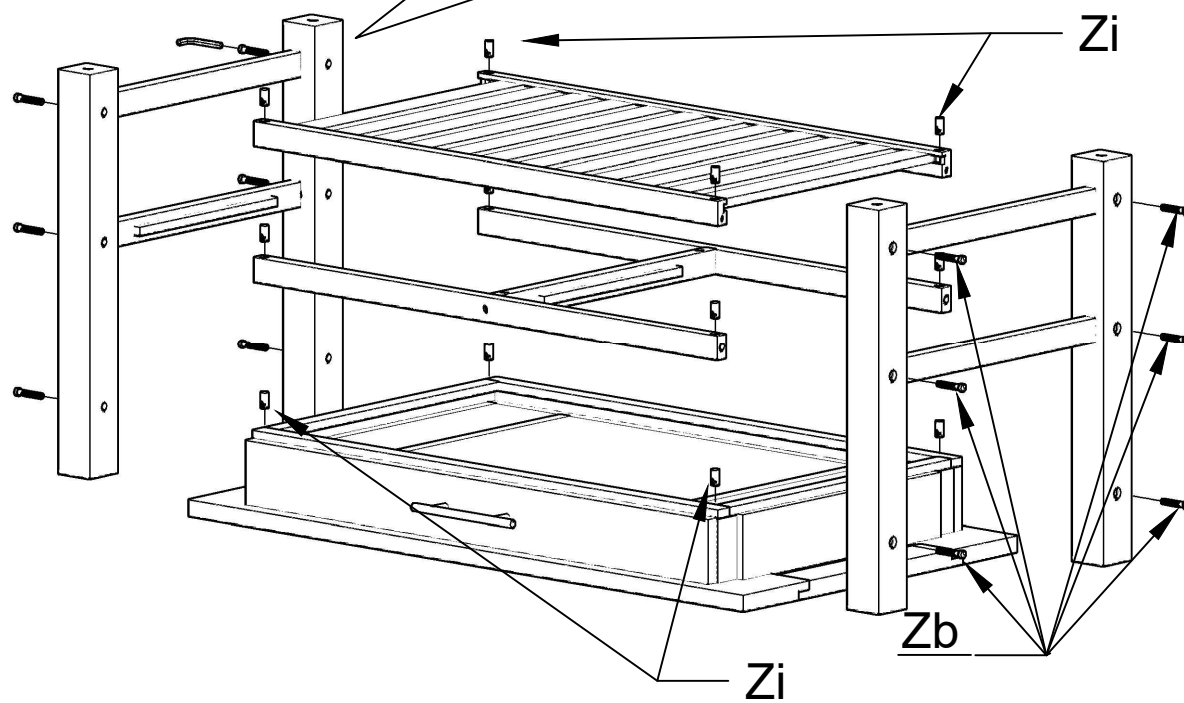
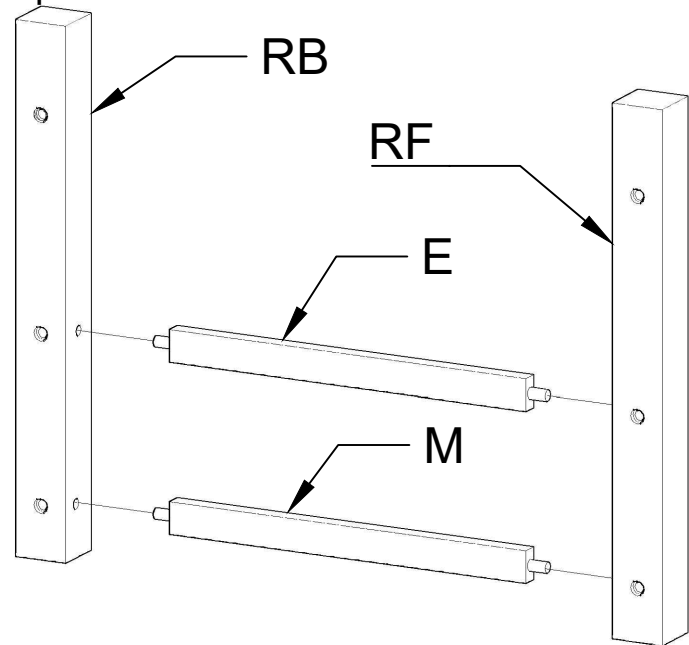
Step 2



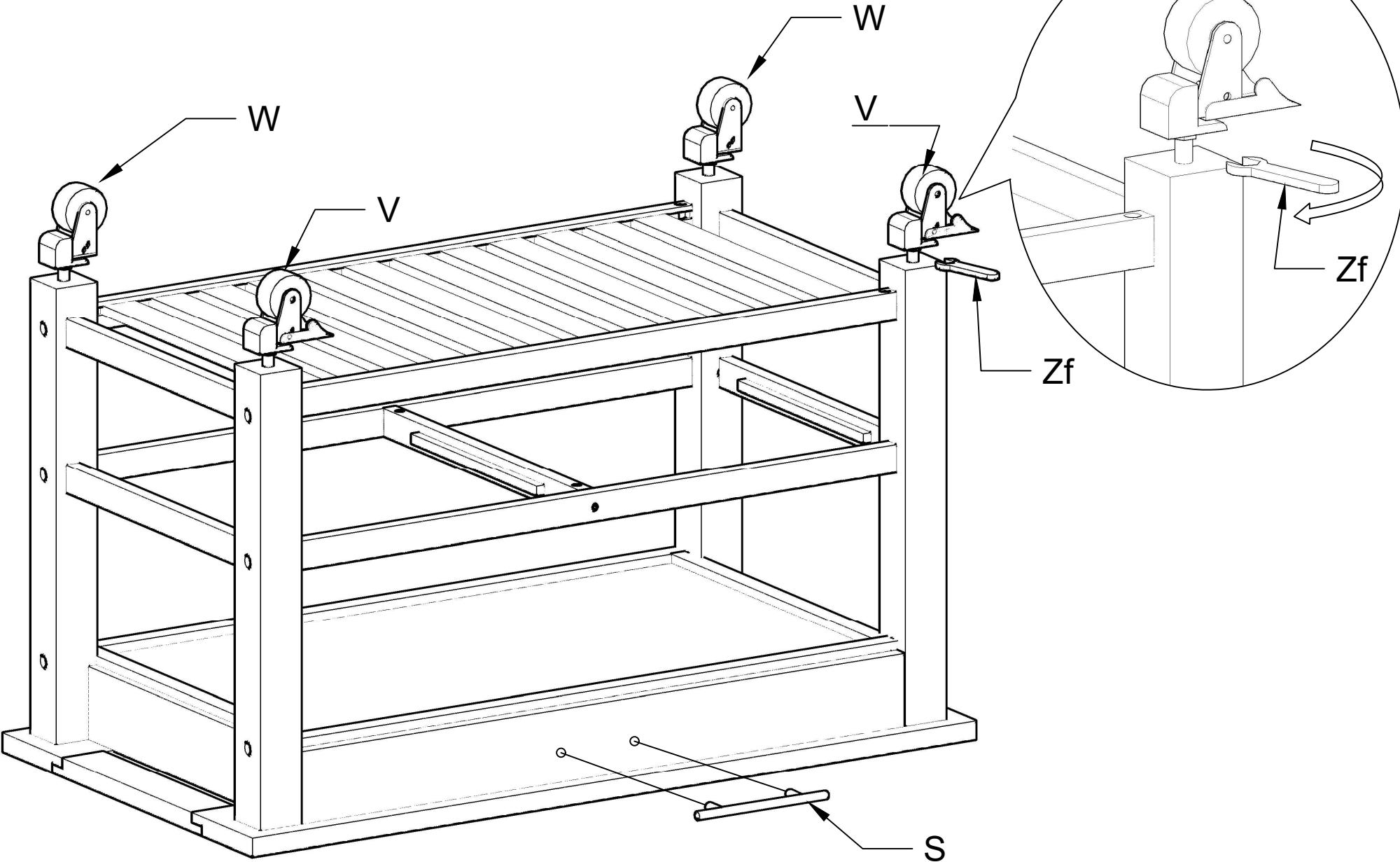
Step 4,5



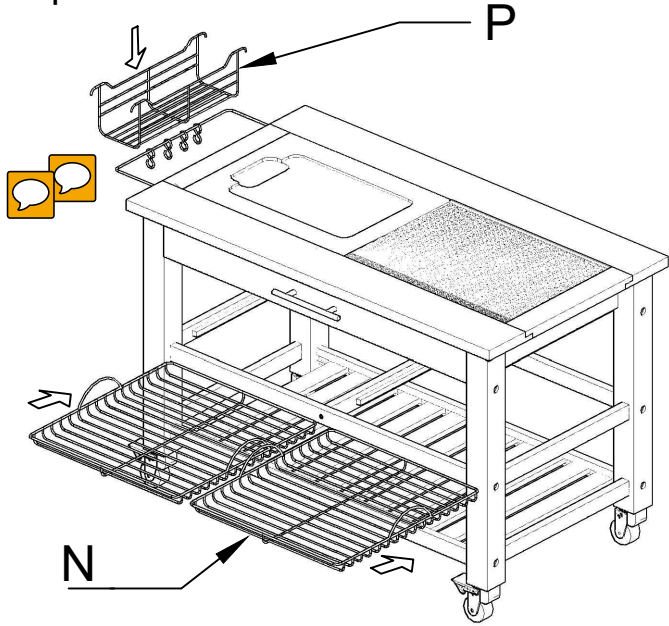
Step 3



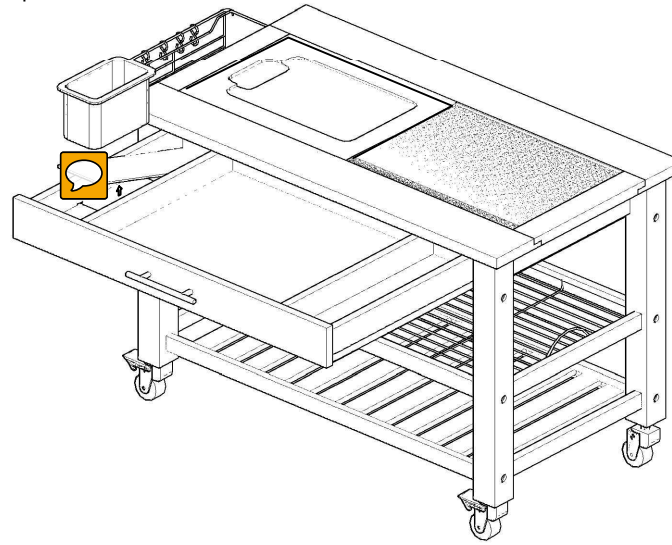
Step 6



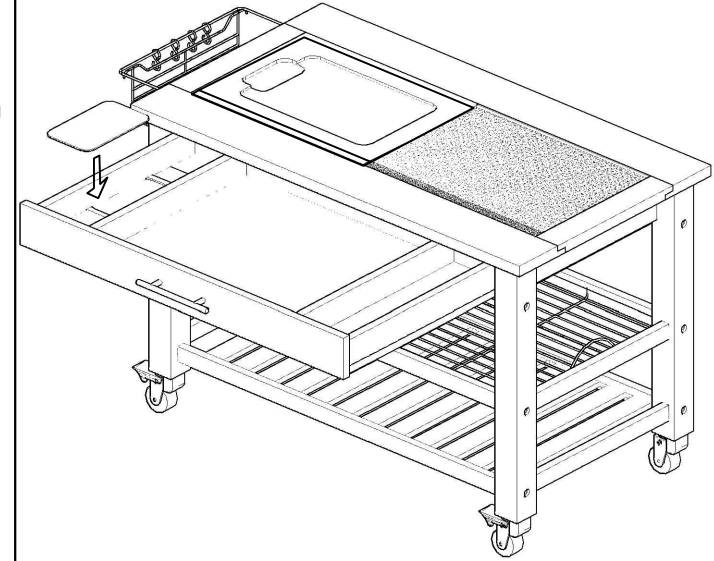
Step 7



Step 8



Step 9



Step 10

