

Examine all packaging material for small parts that may have come loose during shipment. Periodic checks are recommended to insure that all components are in proper position, tight and free from damage. Keep this assembly instruction for future reference. Adult assembly is required. The product of Hillsdale Furniture, LLC is designed for residential use only. Customer Service Phone Number: 502-562-0000




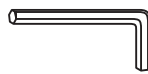
HDFBP

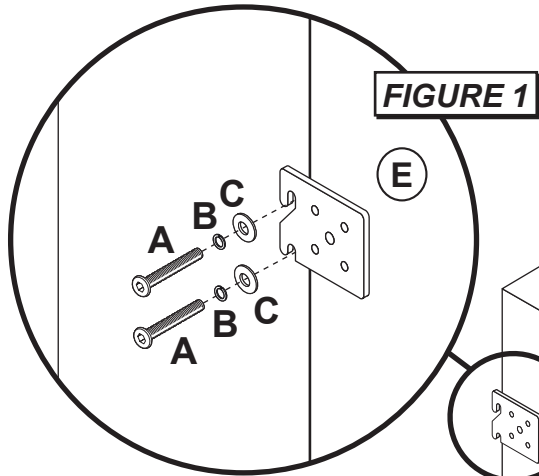
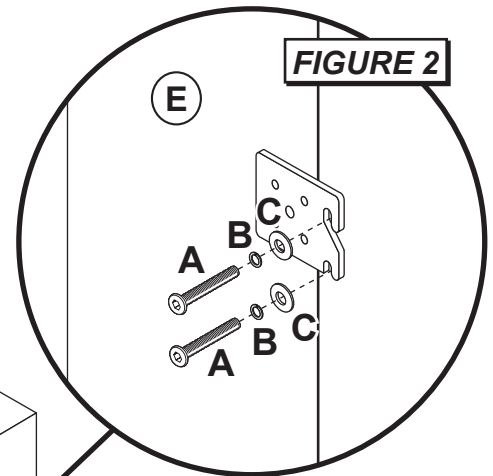
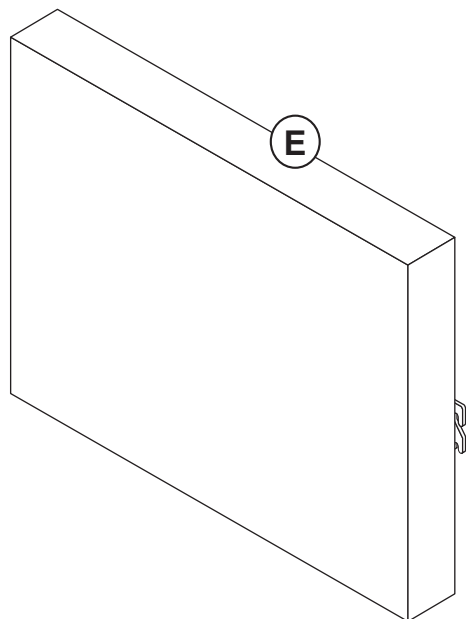
HARDWARE LIST

- A (8) M8*50 Bolts
- B (8) Spring Washers
- C (8) Flat Washers
- D (1) Ø5 Allen Wrench

PARTS LIST

- E (2) Rails

PART	QTY	HARDWARE	PART	QTY	HARDWARE
A	8		B	8	
C	8		D	1	


FIGURE 1

FIGURE 2

STEP 1 - Figure 1

Begin assembly by attaching Rails (E) onto headboard using 2 Bolts (A), 2 Spring Washers (B) and 2 Flat Washers (C). Tighten all bolts with Allen Wrench (D) provided.

STEP 2 - Figure 2

Attach Rails (E) to footboard using 2 Allen Bolts (A), 2 Spring Washers (B) and 2 Flat Washers (C) per side. Tighten all bolts with Allen Wrench (D) provided.