

Royal™ Arbor Installation Guide



Copyright 2013 USAVinyl, LLC - All Rights Reserved - The information contained in these instructions are proprietary to USAVinyl, LLC and may not be used or reproduced for any purpose other than for the evaluation purpose for which it was provided.

Before You Begin Installation

Consult your local authorities for any permits required to construct the pergola.

Check with local building code officials to review any required permits or building limitations.

Read instructions thoroughly prior to assembly.

If you have questions or concerns with this product please **DO NOT** return before consulting a product specialist. Please refer all questions and concerns to our product specialist at 1-888-743-3673.

For easier installation, it is recommended to have two people to place and secure arbor components.

Do not stand, sit, store, or hang items on the pergola.

Repair or replace broken parts immediately. Call 1-888-743-3673 for replacement parts.

At regular intervals inspect your pergola to make sure that assembly integrity has been maintained.

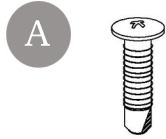
Tools Required for Installation:

1. Extension Cord
2. Hammer Drill*
3. Reciprocating Saw
(optional only if you are cutting down material)
4. Power Drill
5. 1" Drill Bit for metal
6. Drill Bits - 3/16"
7. Phillips Screwdriver Bit
8. Masonry Bit - 3/8" *
9. Ratchet with Deep Socket - 1/2" *
10. Level
11. Tape measure (min 25')
12. 1 Ladder (for at least the height of your pergola)
13. Rubber Mallet
14. Pencil
15. Carpenter's Square

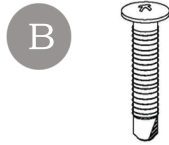
* These will only be needed with optional concrete mount installation.

Material List

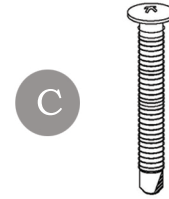
Total of five (5) boxes containing:



A
1" Self-Tapping Screw



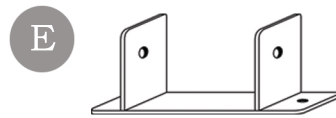
B
1.5" Self-Tapping Screw



C
2.5" Self-Tapping Screw



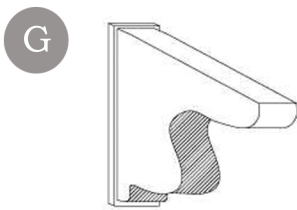
D
Screw Cap



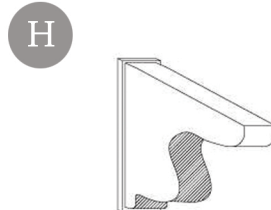
E
1.5" Stringer Brackets



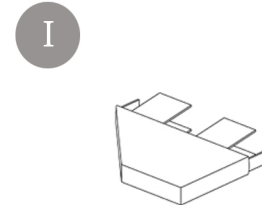
F
1.5 oz Glue



G
2"x6" Pergola Caps



H
1.5"x5.5" Pergola Caps



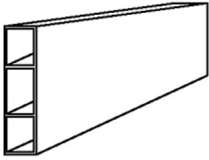
I
3" Dog Ear Caps

Quantities

A	B	C	D	E	F	G	H	I	
40	49	16	105	10	1	4	14	14	

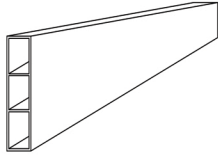
Material List

J



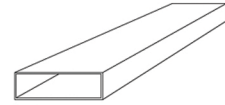
2"x6"x94" Headers

K



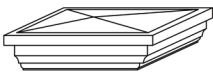
1.5"x5.5"x94" Rafters

L



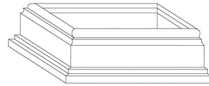
7/8"x3"x92"
Purlin

M



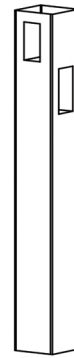
5" New England
Caps

N



5" Post Skirt

O



5"x5"x94"
Vinyl Post

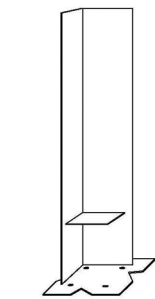
P



4"x4"x96" Wood Post
(Can be purchased at your
local hardware store)

Optional Parts (in a 6th box)

Q



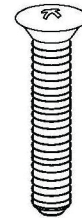
Concrete
Post Mount

R



3/8"x5"
Wedge Anchor
(with washer & nut)

S

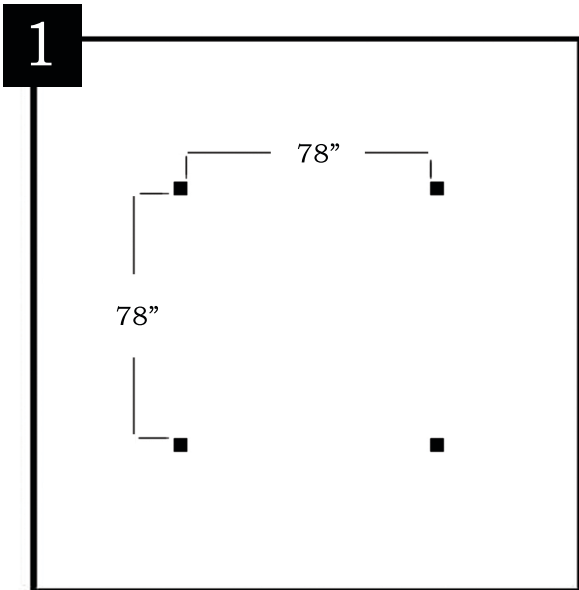


#14 x2" SS Screw

* If using concrete mount you will only need
(2) 4x4x96" wood post that can be cut in half.

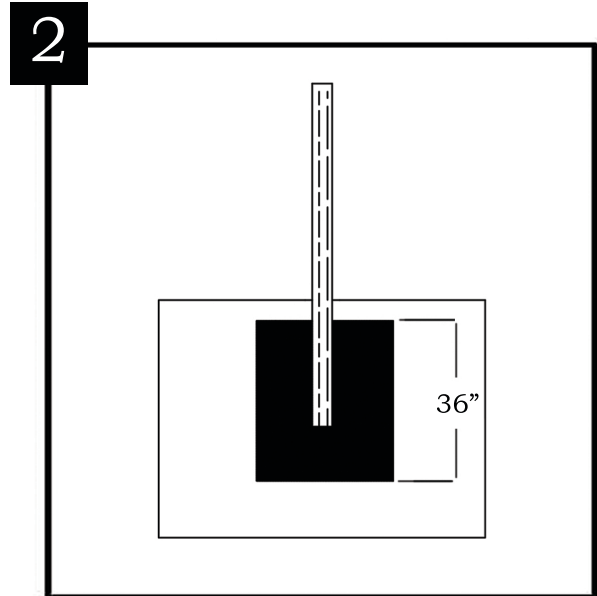
Quantities

J	K	L	M	N	O	P	Q	R	S
2	7	7	4	4	4	4	4	16	32



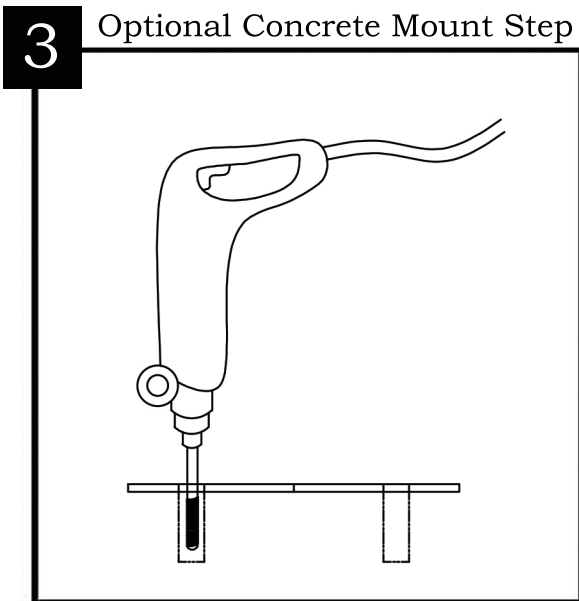
Lay out, center and dig all four post holes 12" diameter x 36" deep. Posts can be no more than 78" inside to inside.

*Note: For concrete mount installation skip to step 3.



Install (4) 4x4x96" wood post (not included) and level. Set your post, fill with concrete leaving 3" from the top of the hole.

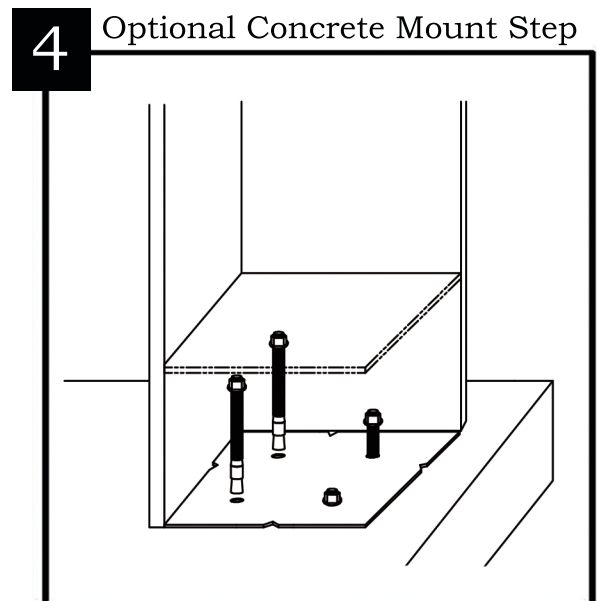
*Note: If not using the optional concrete mounts, skip to step 6.



3 Optional Concrete Mount Step

Place, square and trace each concrete post mount. (Q) Pre-drill concrete mount holes with hammer drill at 4 1/2" depth with 3/8" masonry bit.

Do not rush.

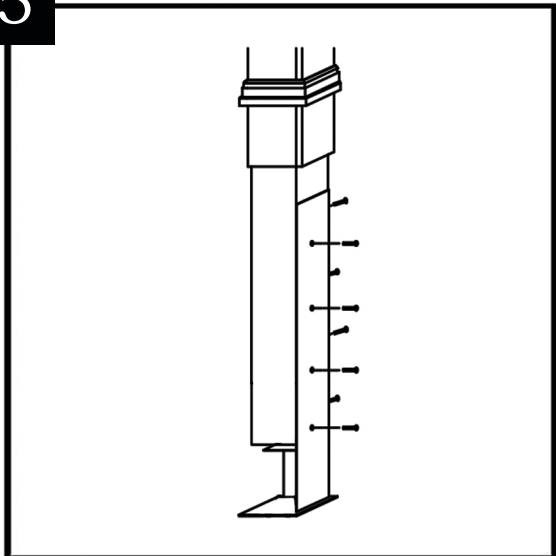


4 Optional Concrete Mount Step

Place wedge anchors (R) into each hole and tap into concrete leaving 1" above the concrete. Place concrete post mount (Q) over the installed anchors and install washer and nut to each anchor. Level and tighten with 9/16" socket.

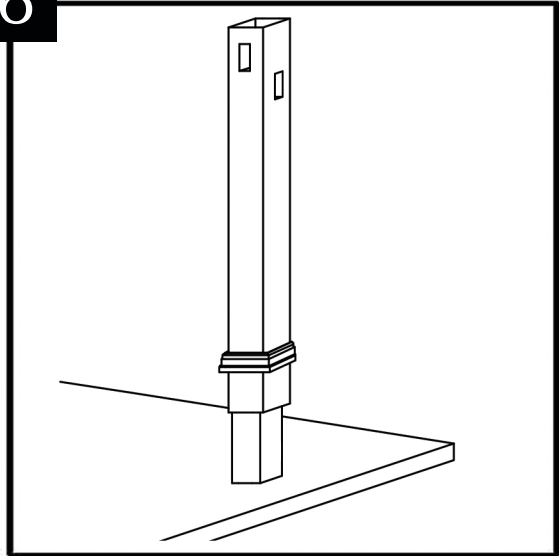
Do not over tighten.

5 Optional Concrete Mount Step



Line up the wood post with the concrete post mount and pre-drill the holes of the concrete mount into the wood with a 3/16" bit. Install the #14 x 2" (S) screws into the pre-drilled holes.

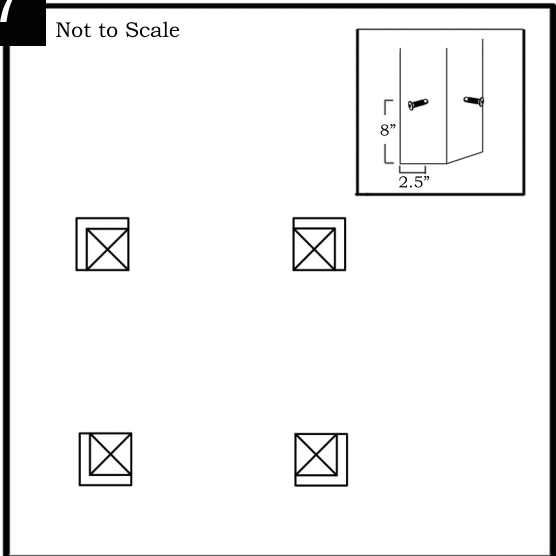
6



Place your post skirt (I) over your vinyl post (O). Place the post over the wood post or concrete mount.

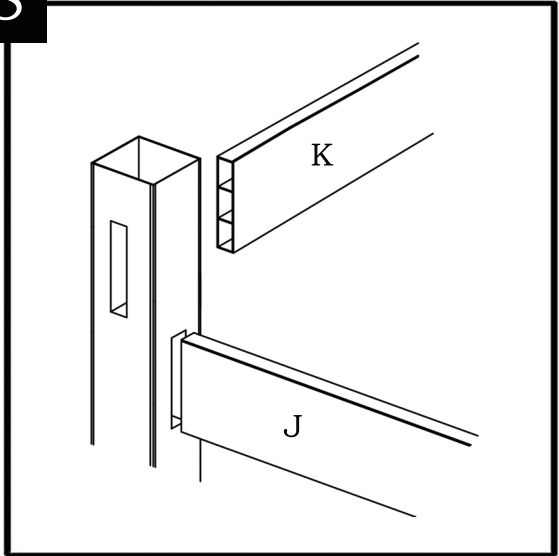
7

Not to Scale



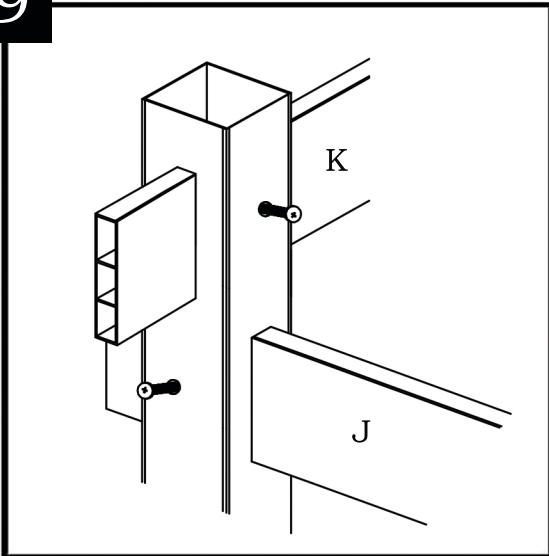
Vinyl post should be tight on the inside corner of the wood posts. Using a 1" self-tapping screw (A) and screw cap (D) secure the inside corner of the vinyl post to the wood. Drill your hole 8" from the bottom and 2.5" from the side. Then slide your skirt into place.

8



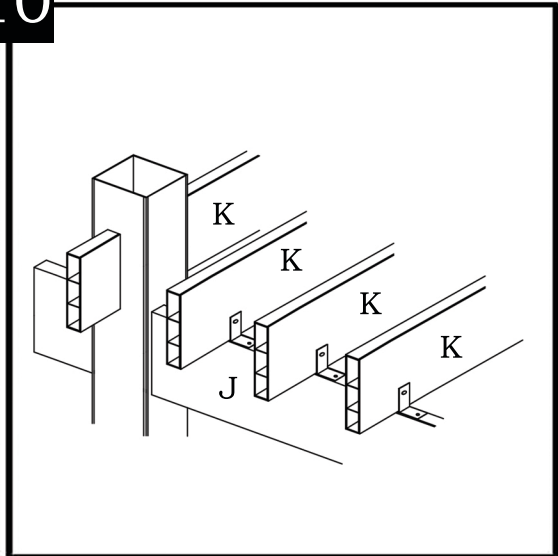
Position the 2x6" headers (J) into the routed slots. Make sure the overhang is equal on both sides of the posts. (approx 3") Then position two rafters (K) into the slots.

9



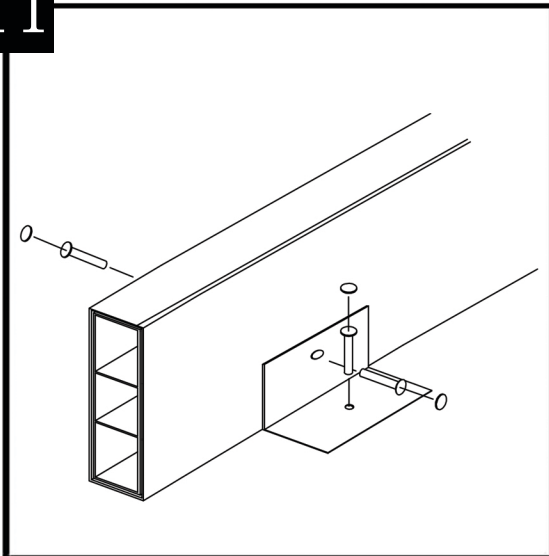
Once headers and two rafters are squared up and in place, secure with a 2.5" self-tapping screw (C) and screw cap (D) through the center of the post and header. Repeat for the rafters. **Do Not** over tighten as this may cause dents in the posts.

10



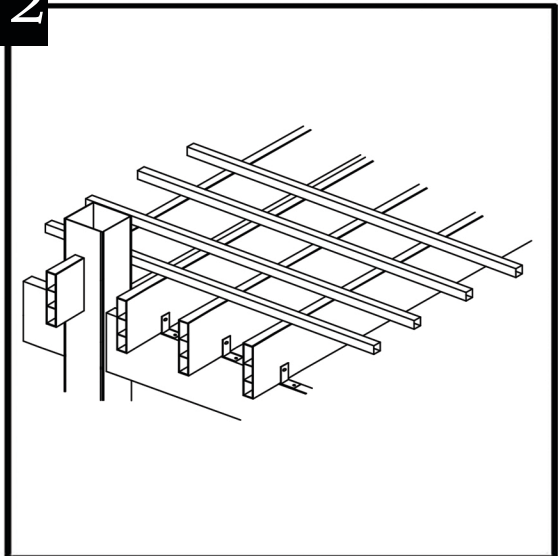
Do not attach rafters until they have been evenly spaced. (approx 12" inside to inside, If you modify the width of the arbor these measurements will change.) The rafters will extend approx. 4.5" past the header on each side.

11



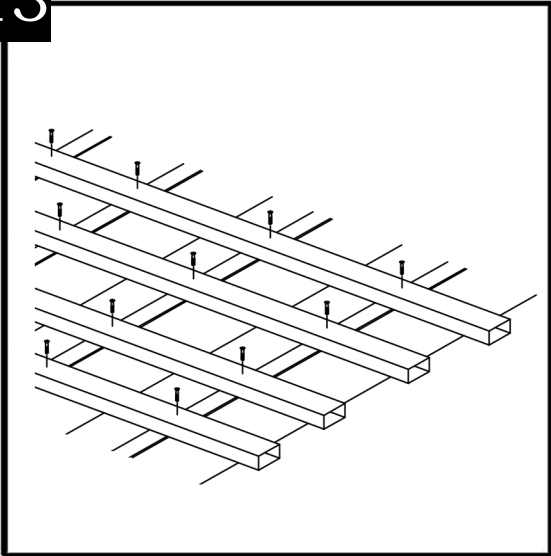
Use the #10 x 1" self-tapping screw (A) and screw cap (D) to secure the rafter in the 2" stringer bracket (E).

12



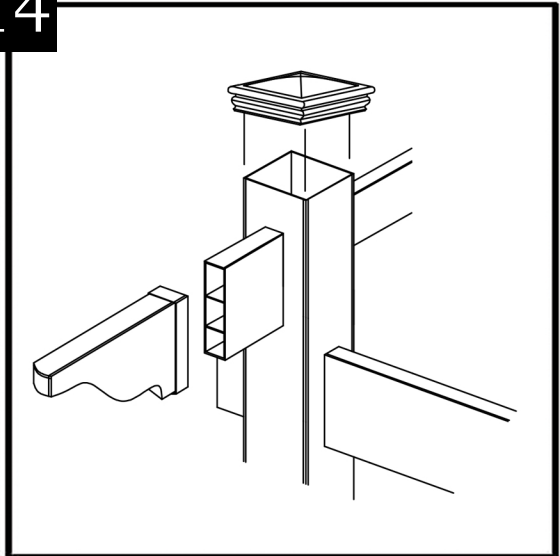
Space the purlin evenly (approx 7-1/8"). The overhang should be the same on both sides (approx 4"). If you modify the width of the arbor these measurements will change.

13



Once properly positioned, use the #10 x 1.5" self tapping screws (B) and screw caps (D) to secure the purlins to the rafters. **Do not** over tighten the screws as this will cause dents in the purlin.

14



Finish arbor by attaching the New England post caps (L), pergola caps (G & H) and dog-ear caps (I) using vinyl glue (F).

