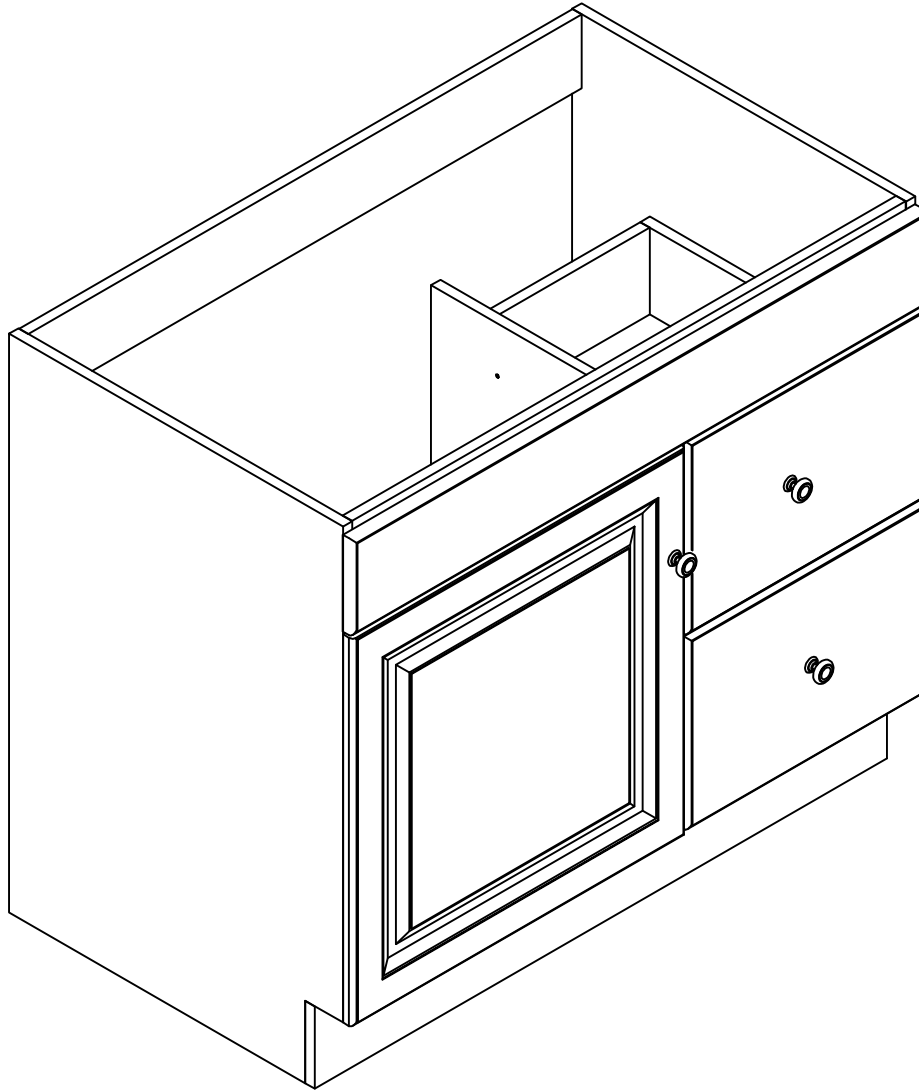




www.todaysdesignhouse.com

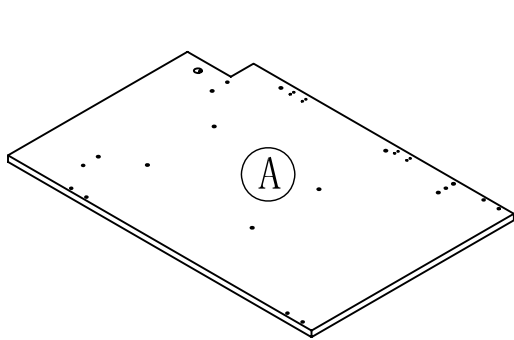


545137 • 545145 • 545152 • 545160

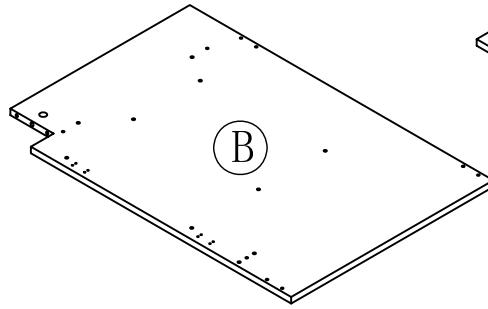
# ASSEMBLY INSTRUCTIONS

DHI Corp. • 5205 W. Donges Bay Rd. • Mequon, WI 53092 • 800.558.8700

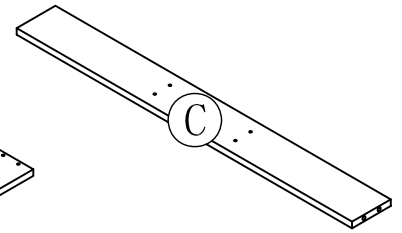
# PARTS LIST:



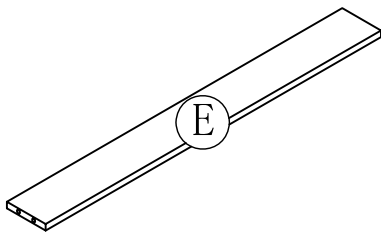
LEFT SIDE PANEL 1PC



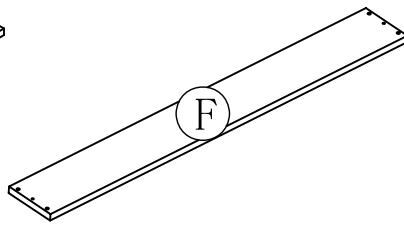
RIGHT SIDE PANEL 1PC



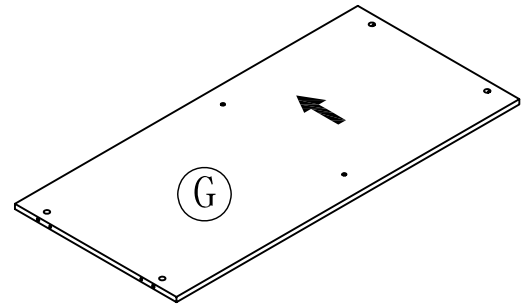
LOWER BACK CROSS BRACE 1PC



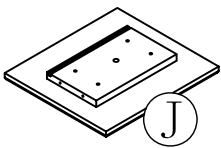
UPPER BACK CROSS BRACE 1PC



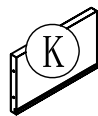
TOE KICK PANEL 1PC



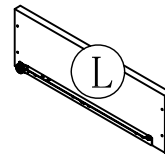
BOTTOM PANEL 1PC



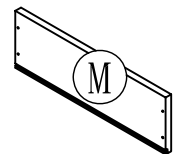
DRAWER FRONT PANEL 2PCS



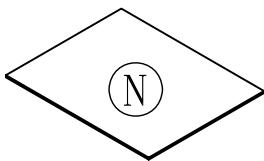
DRAWER BACK PANEL 2PCS



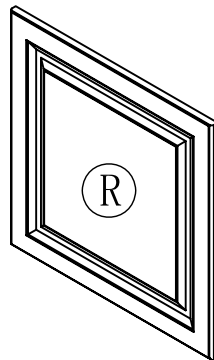
DRAWER LEFT SIDE PANEL 2PCS



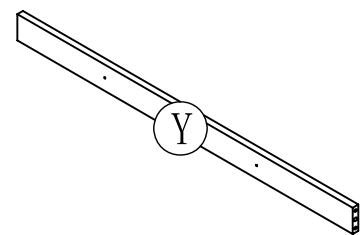
DRAWER RIGHT SIDE PANEL 2PCS



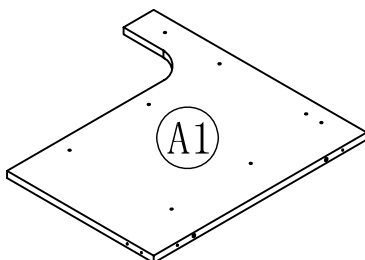
DRAWER BOTTOM PANEL 2PCS



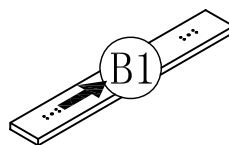
DOOR 1PC



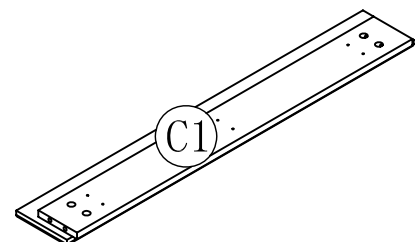
FRONT CROSS BRACE 1PC



BIG PARTITION 1PC



SMALL PARTITION 1PC

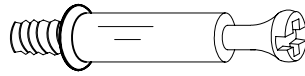


FALSE DRAWER FRONT 1PC

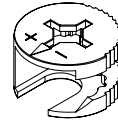
# HARDWARE LIST:



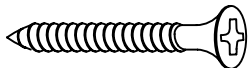
a. WOOD DOWEL 14PCS



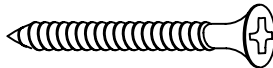
b. CAM LOCK SCREW  
20PCS



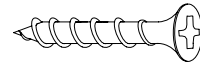
c. CAM LOCK 20PCS



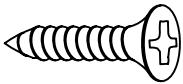
d. 1" L WOOD SCREW 4PCS



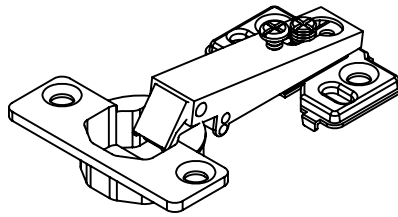
e. 1-1/2" L WOOD  
SCREW 19PCS



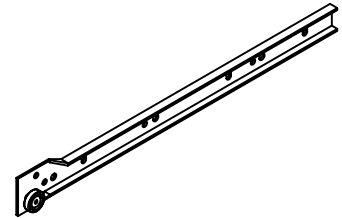
f. 5/8" L FLAT HEAD  
SCREW 12PCS



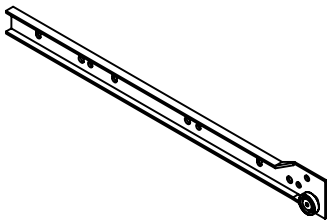
g. 1/2" L WOOD  
SCREW 12PCS



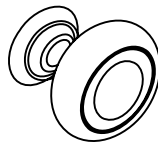
h. HINGE 2PCS



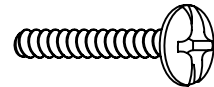
i. LEFT SIDE DRAWER  
GLIDE 2PCS



j. RIGHT SIDE DRAWER  
GLIDE 2PCS



l. KNOB 3PCS



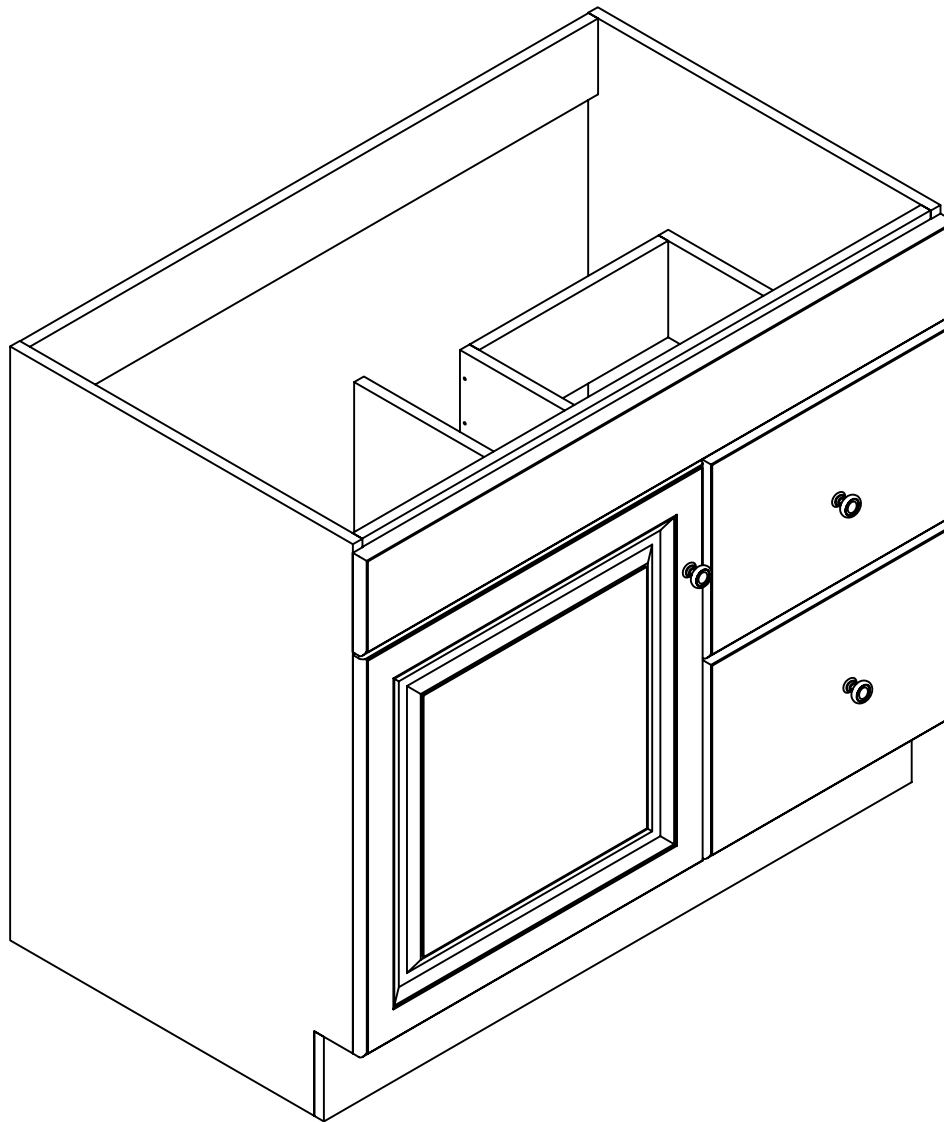
n. KNOB BOLT 3PCS



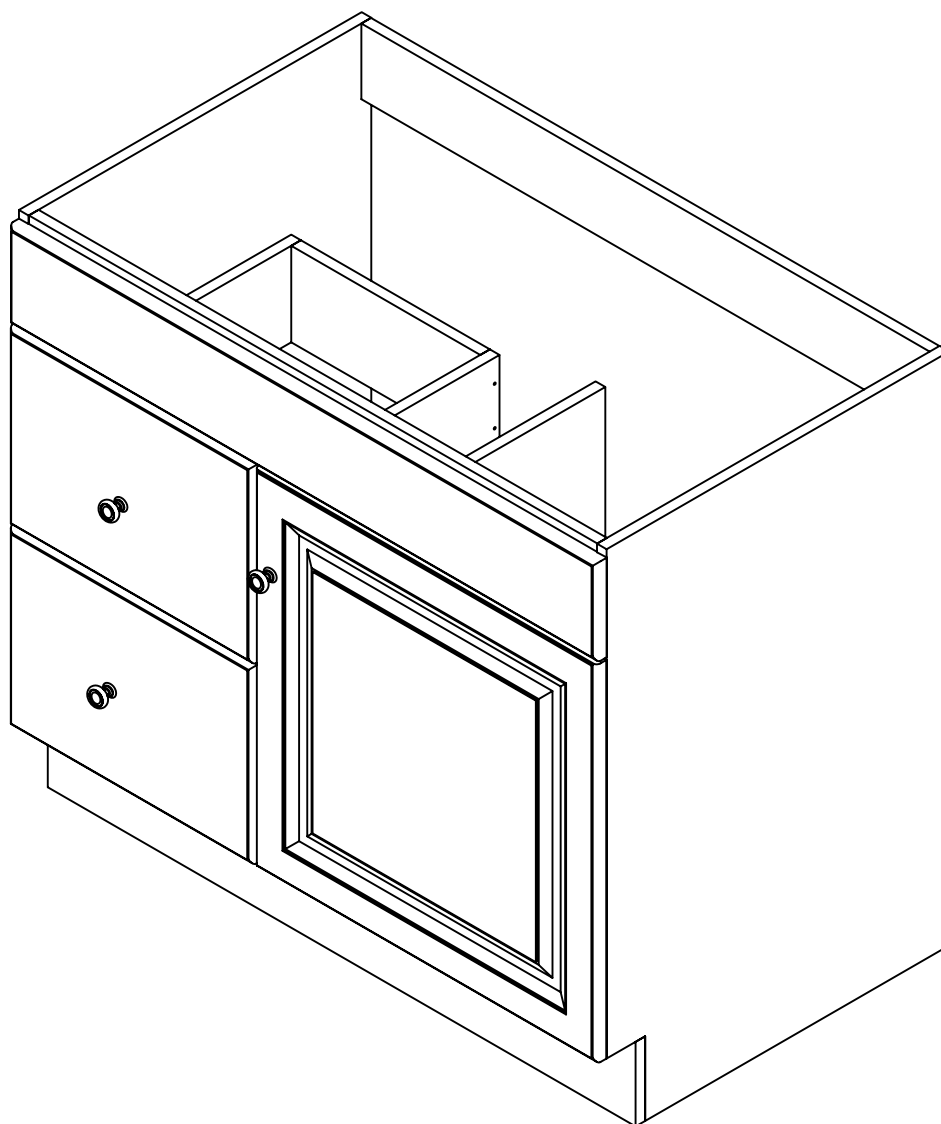
o. WRENCH 1PC



p. GLUE 1PC

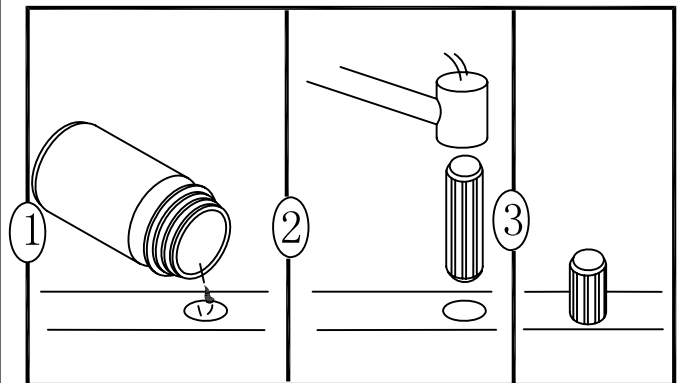
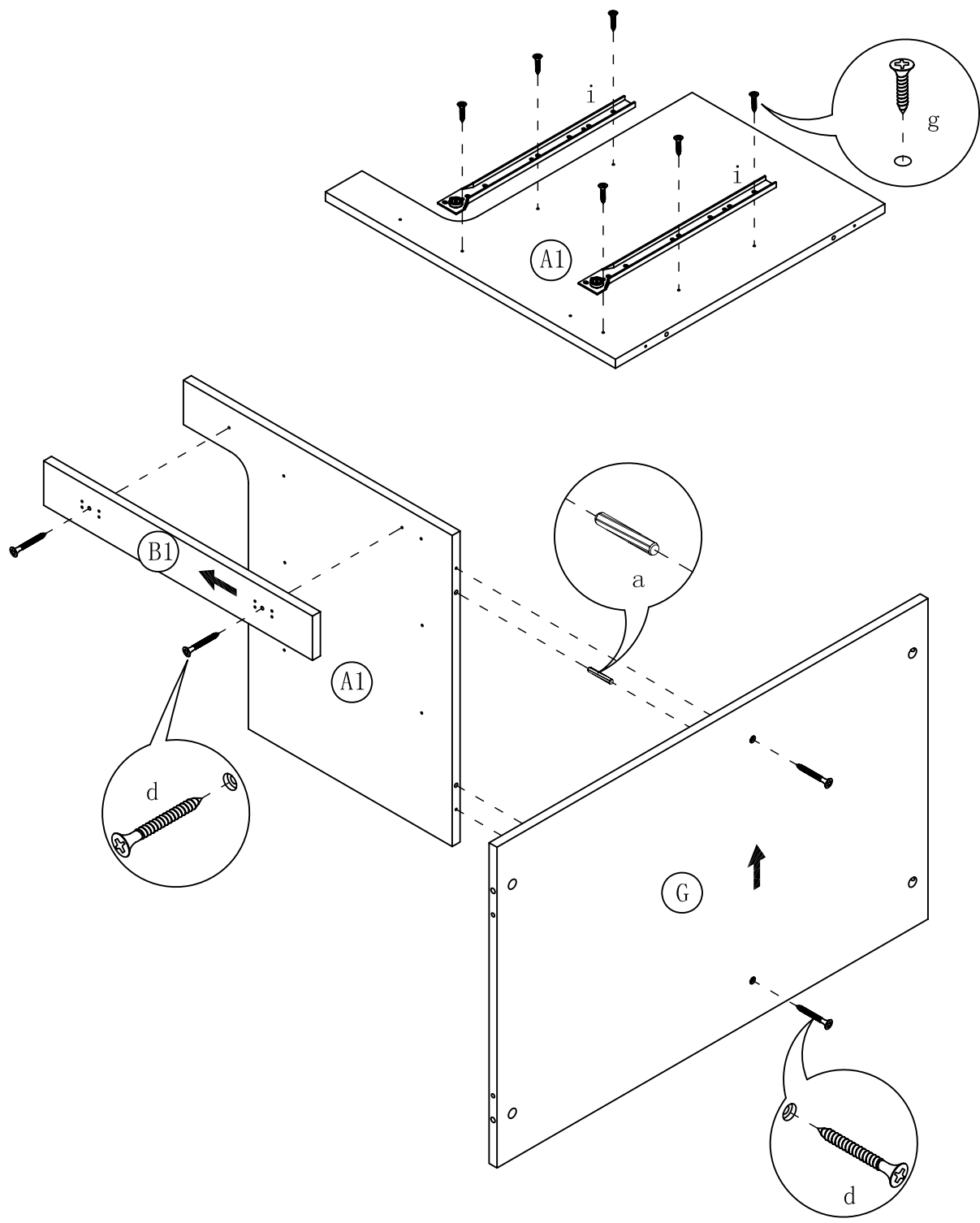


FOLLOW STEPS 1~10 TO INSTALL THE DOOR  
ON THE LEFT SIDE AND THE DRAWERS ON THE  
RIGHT SIDE

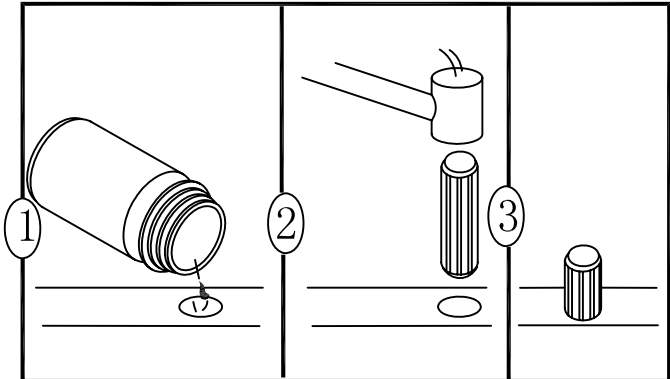
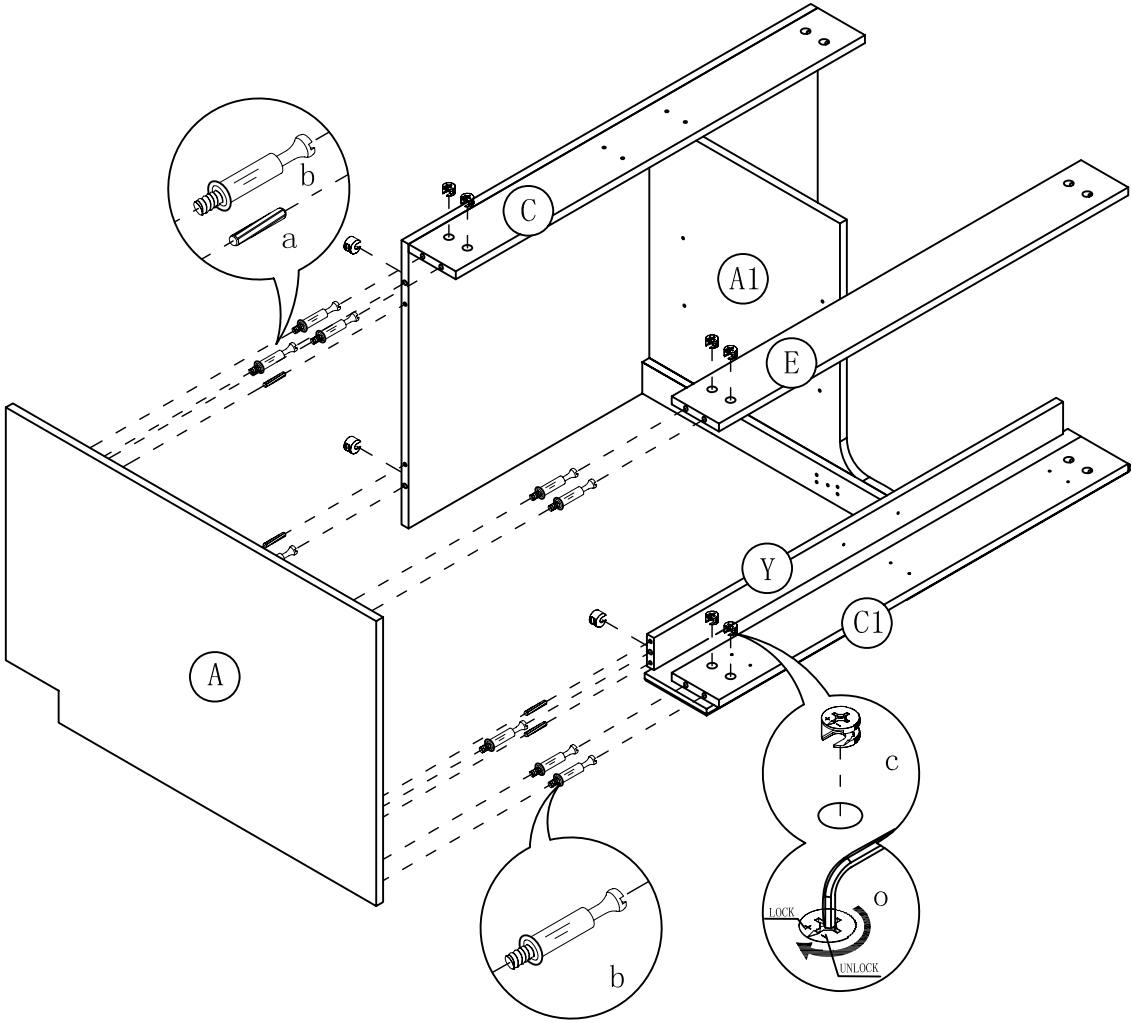


FOLLOW STEPS 11~20 TO INSTALL THE DOOR  
ON THE RIGHT SIDE AND THE DRAWERS ON THE  
LEFT SIDE

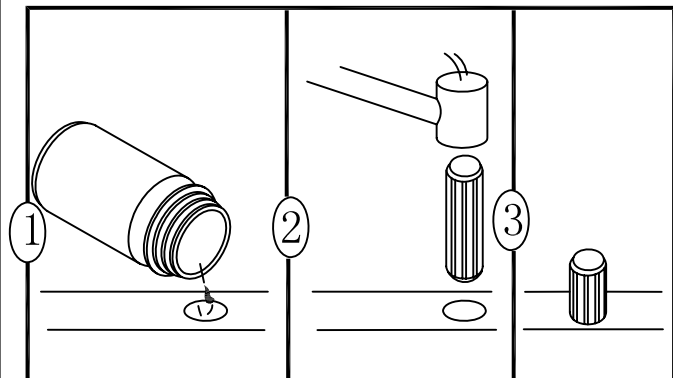
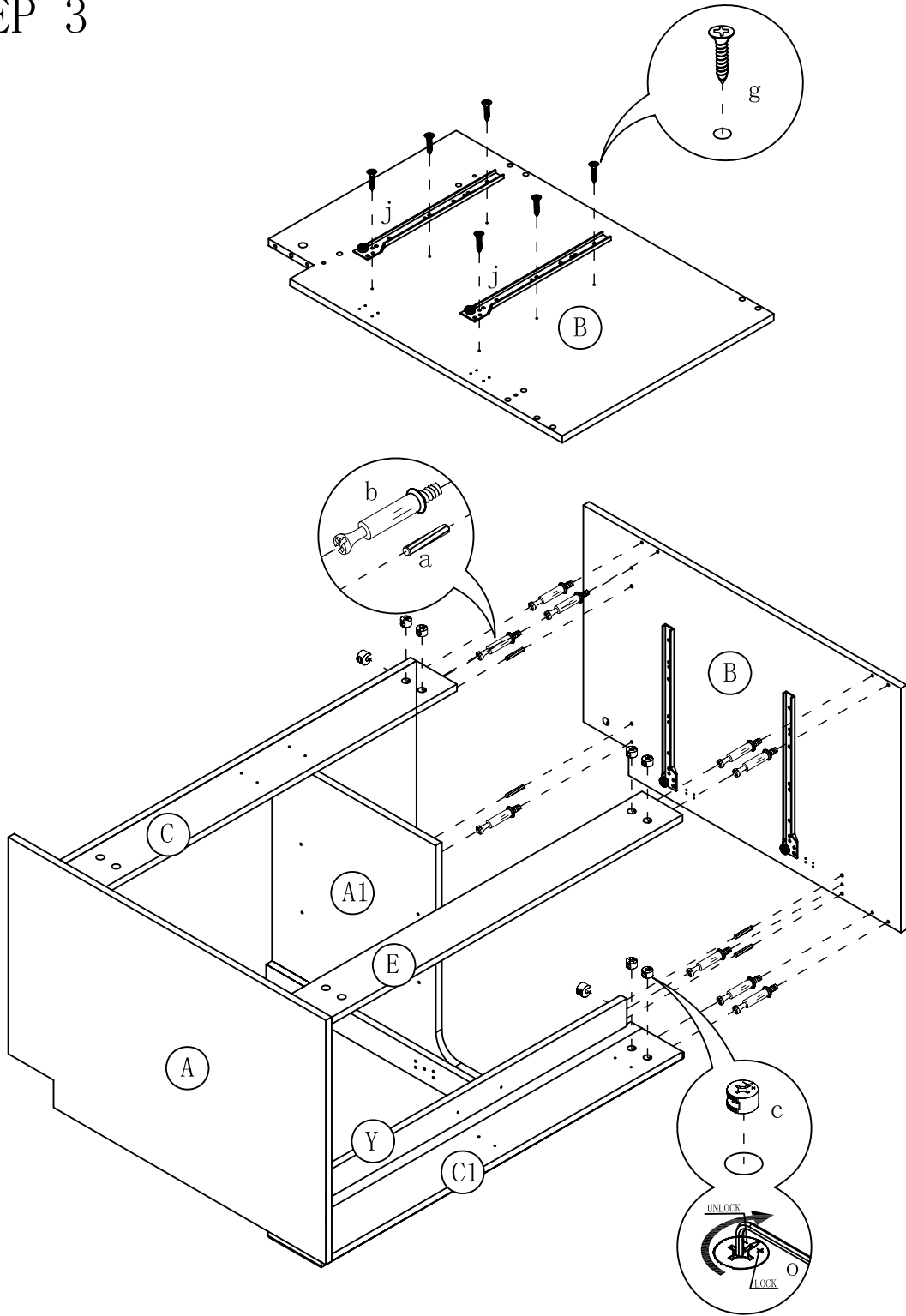
# STEP 1



# STEP 2

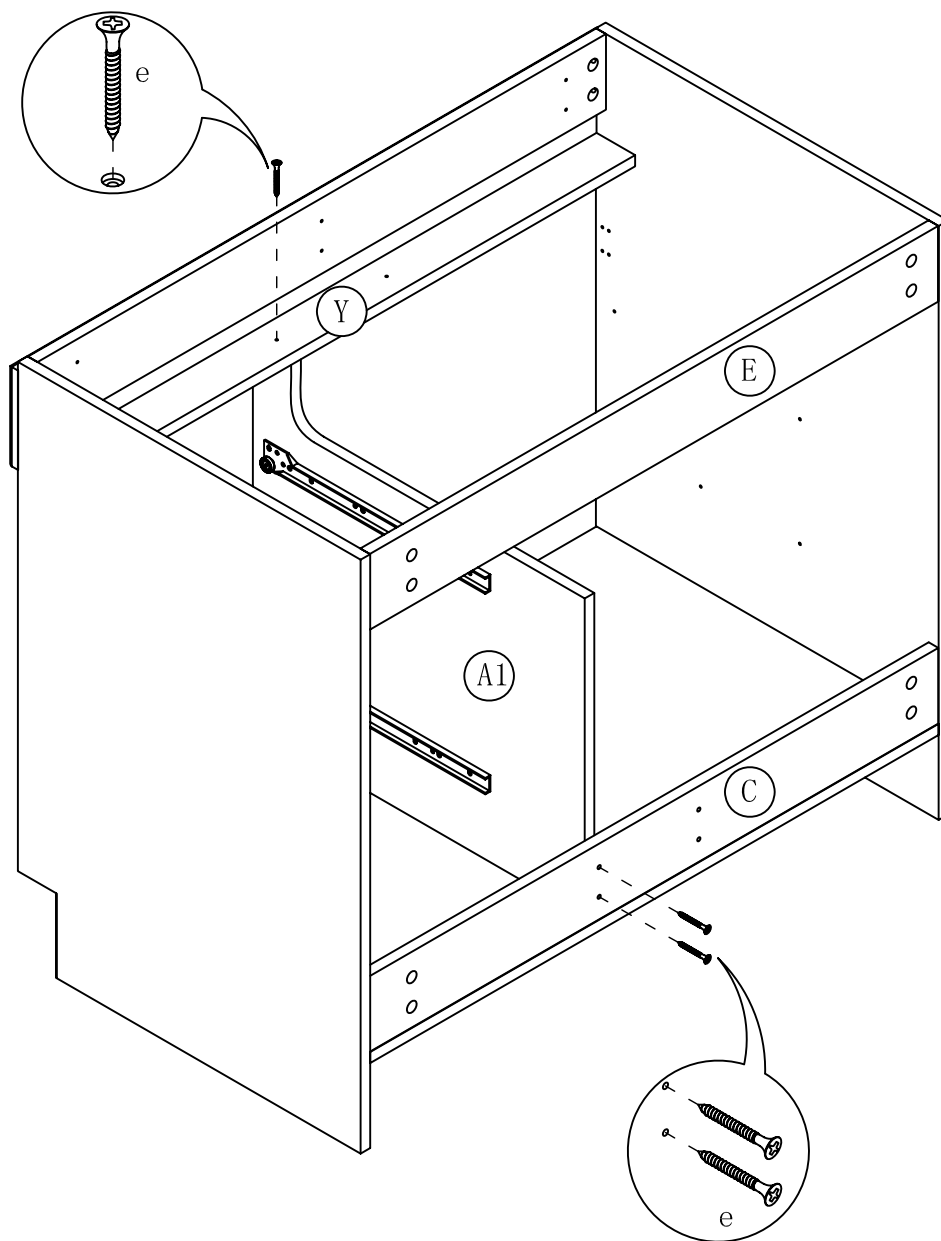


# STEP 3

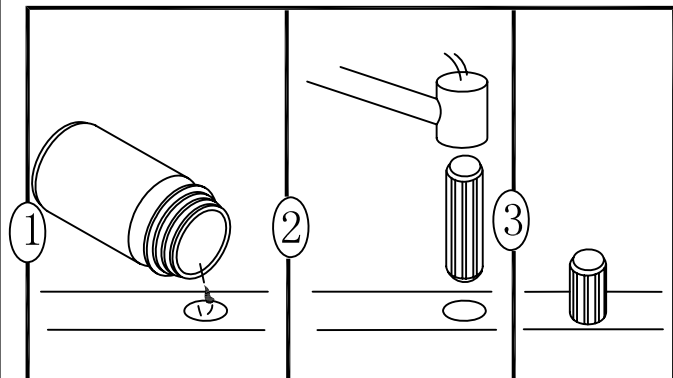
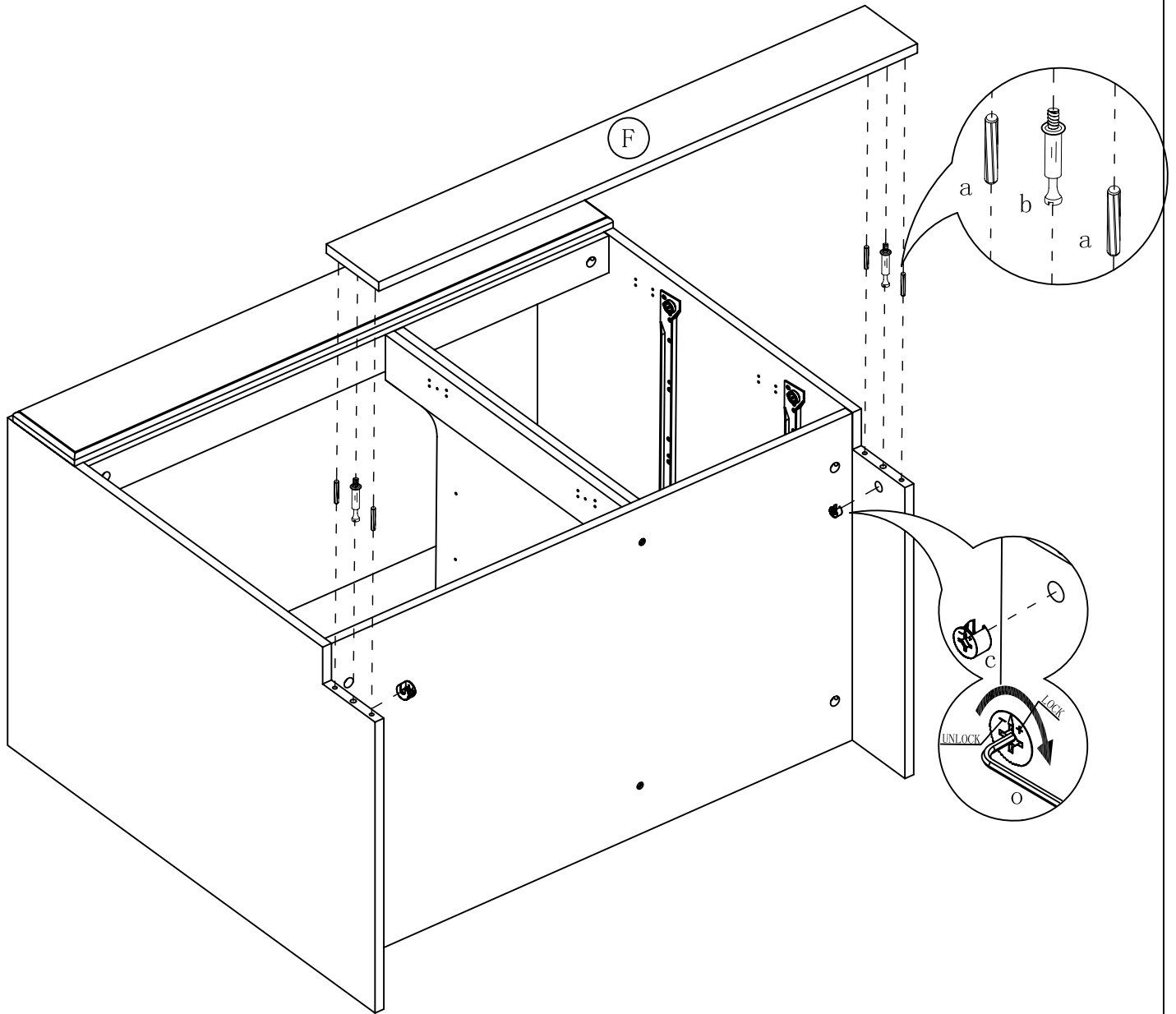




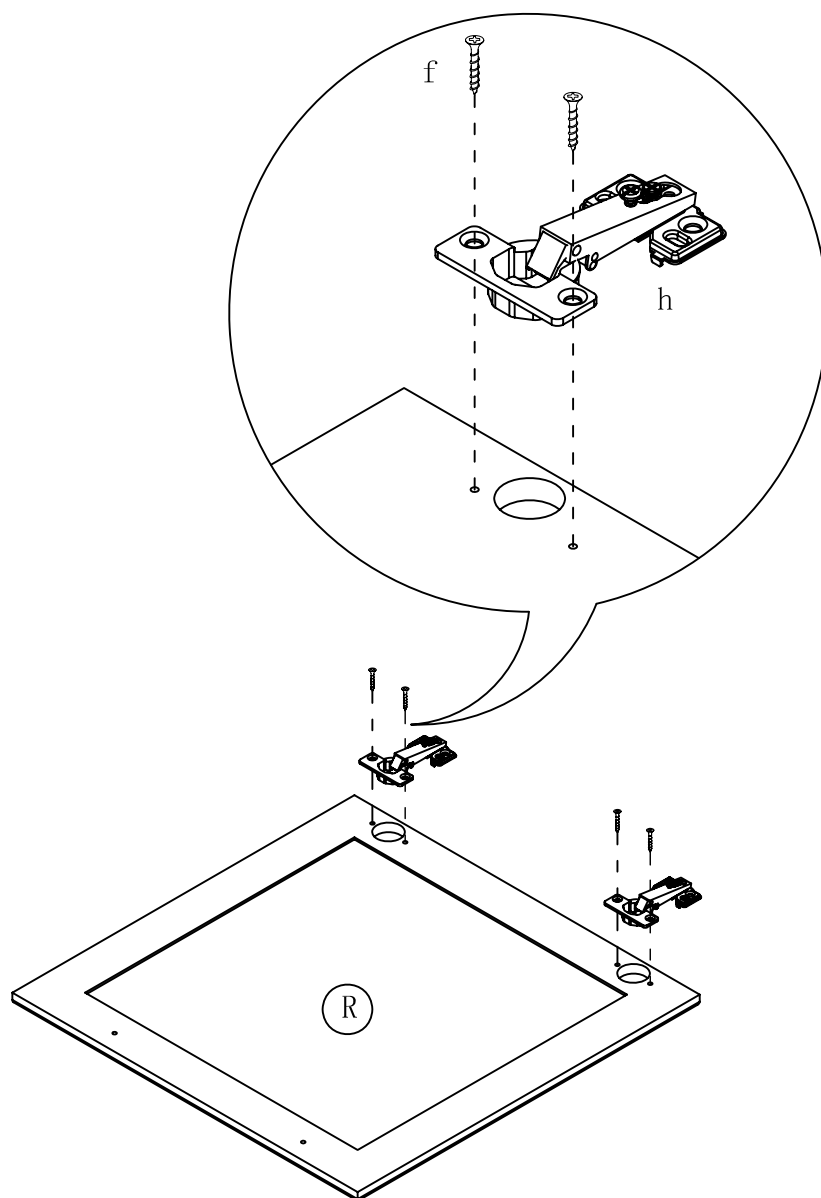
# STEP 4



# STEP 5

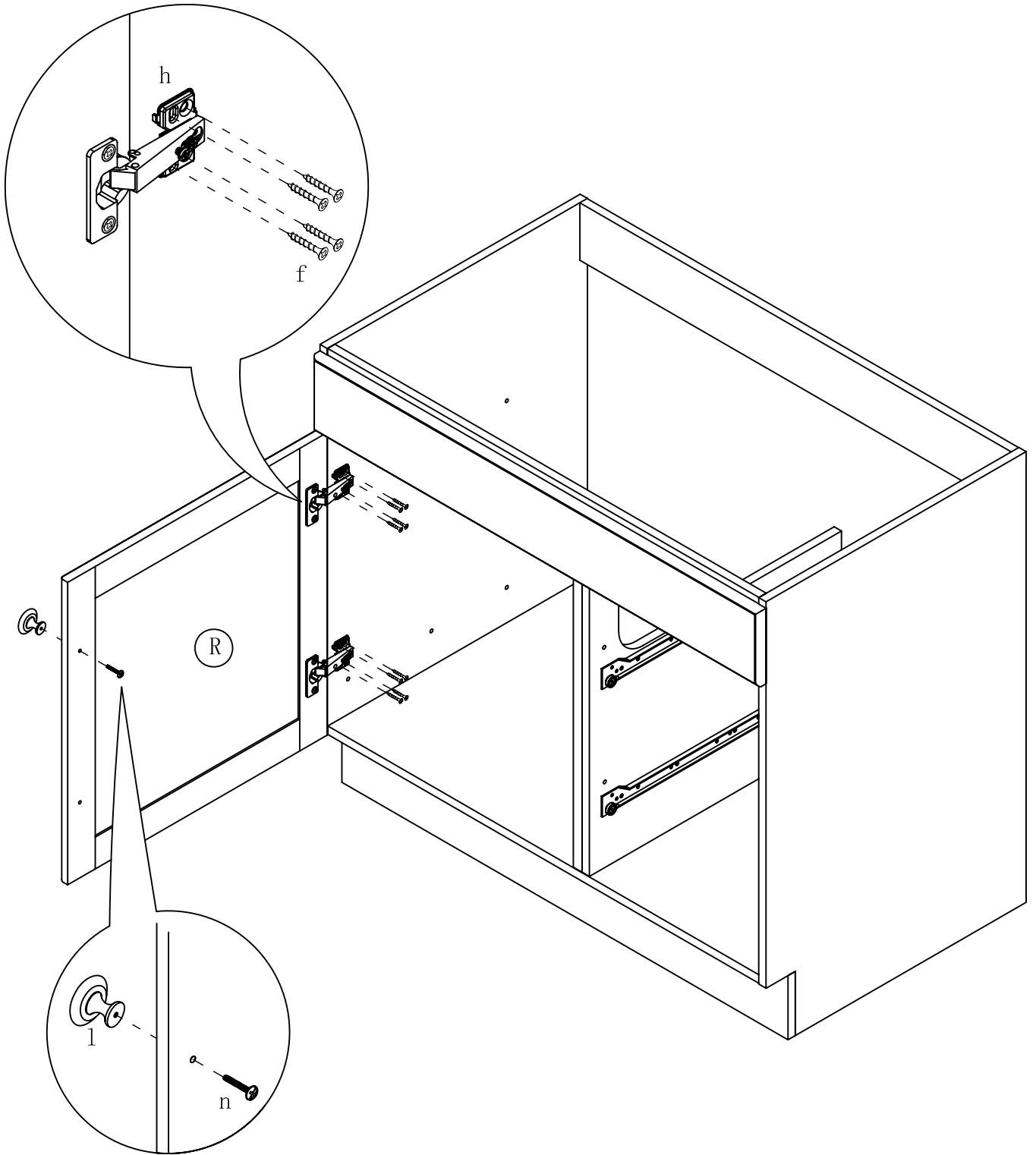


# STEP 6



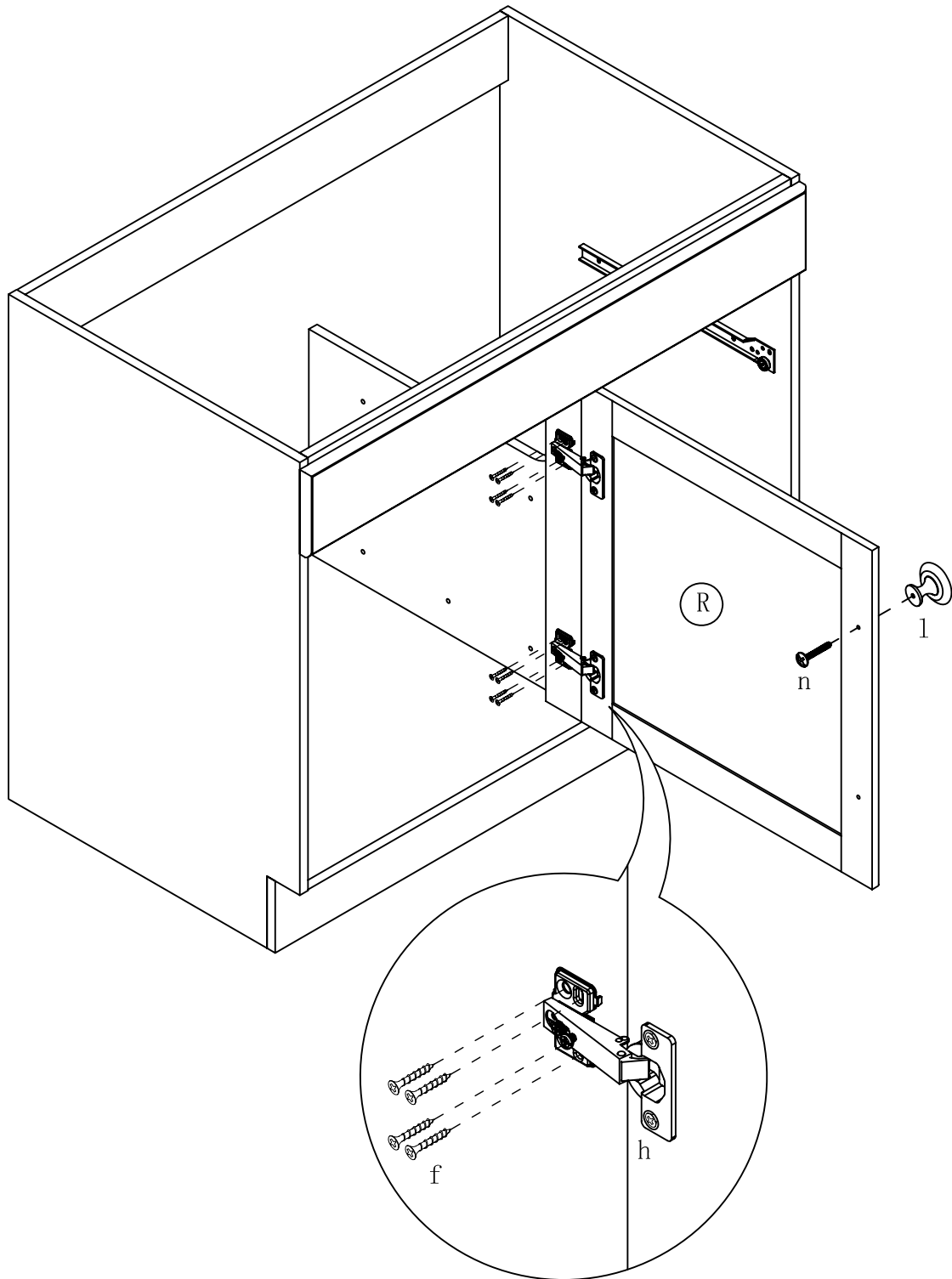
# STEP 7

FOLLOW STEP 7 FOR  
THE DOOR TO OPEN  
TO THE LEFT



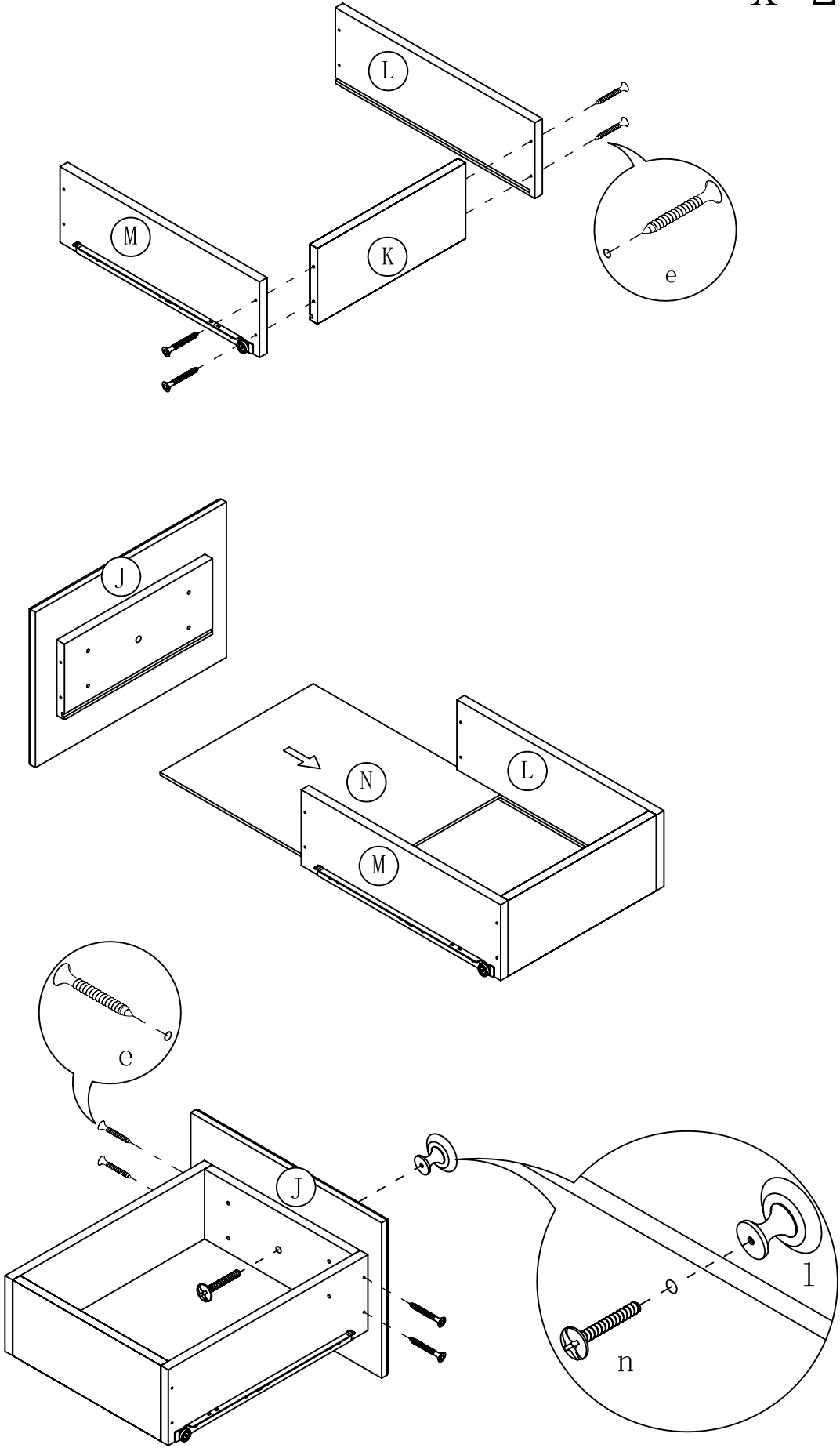
STEP 8

FOLLOW STEP 8 FOR  
THE DOOR TO OPEN  
TO THE RIGHT

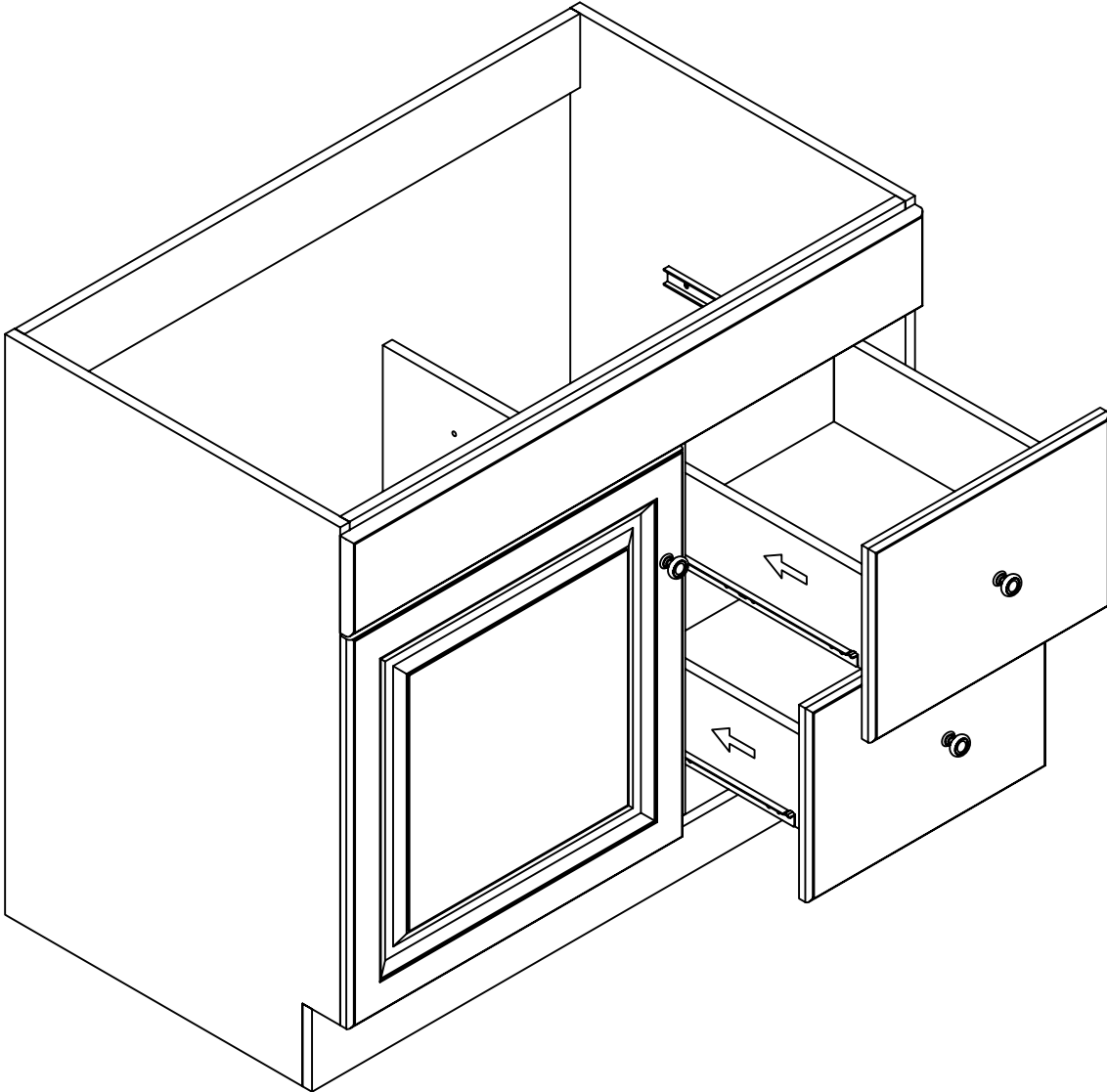


STEP 9

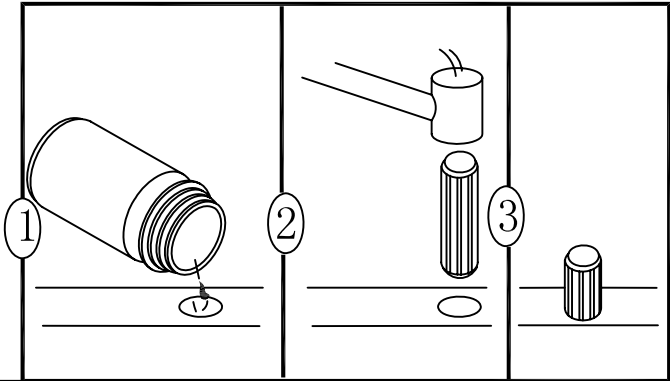
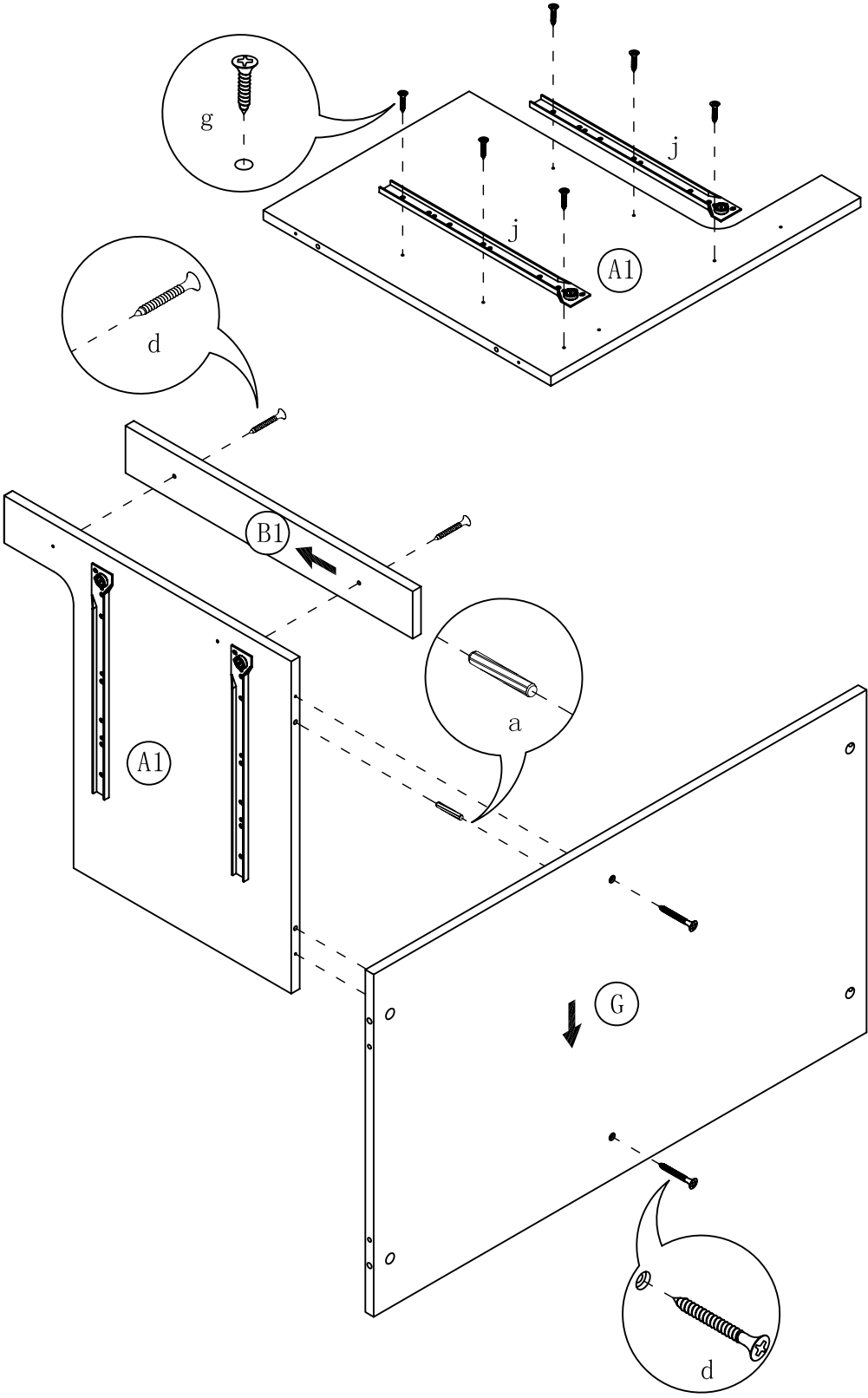
x 2



STEP 10

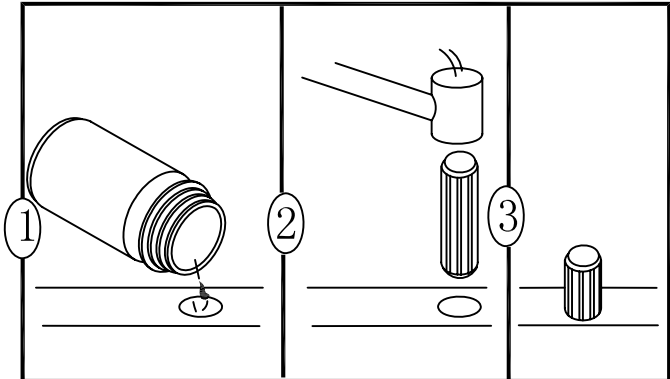
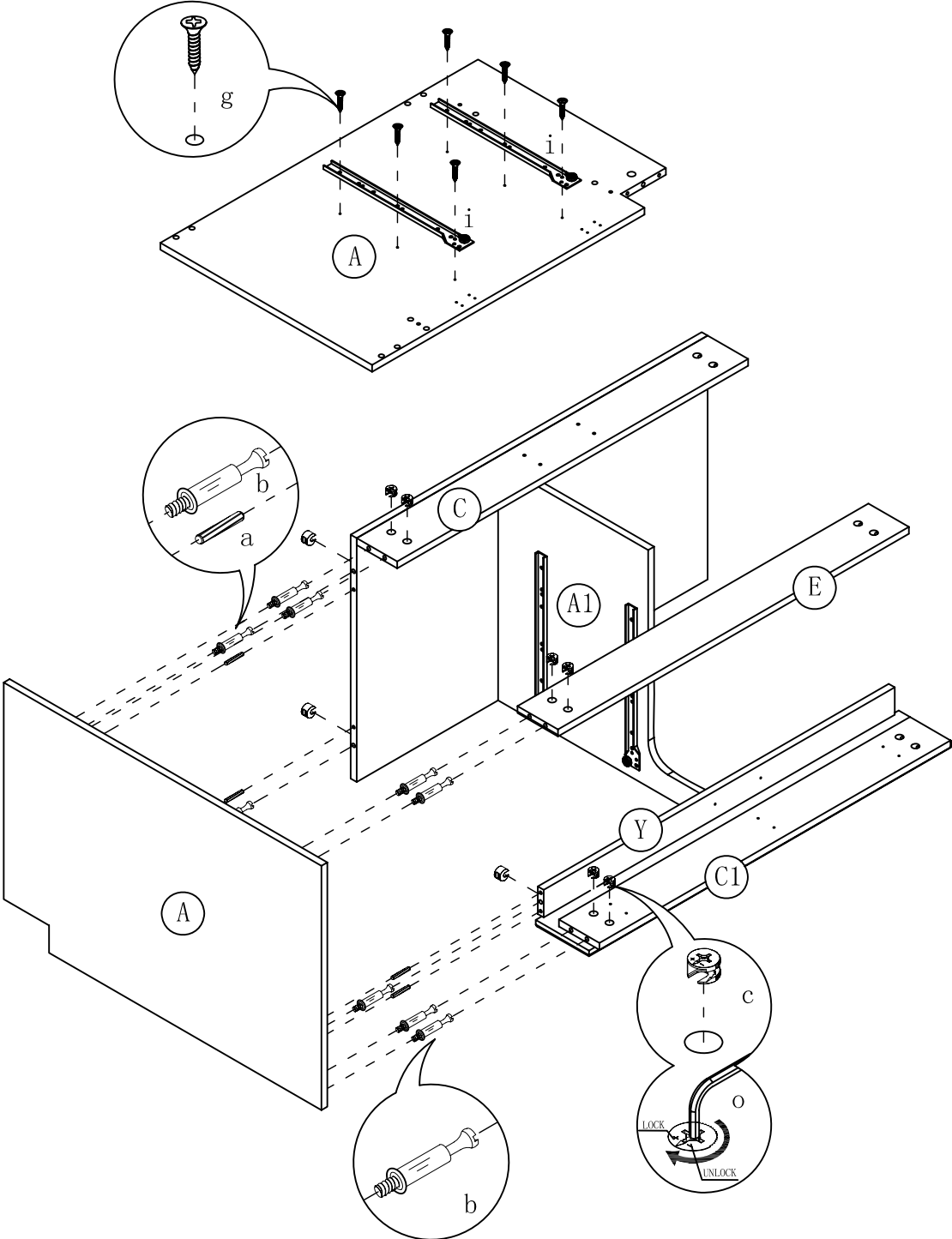


STEP 11

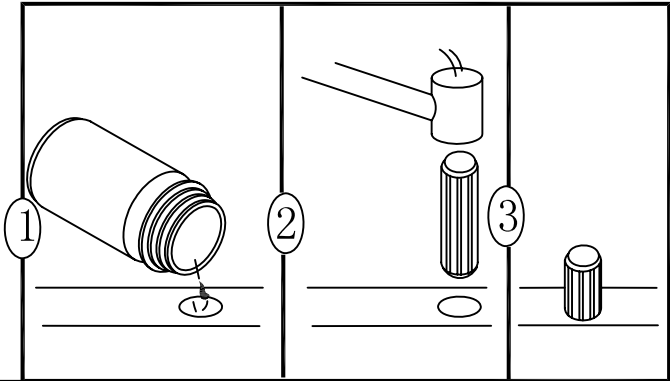
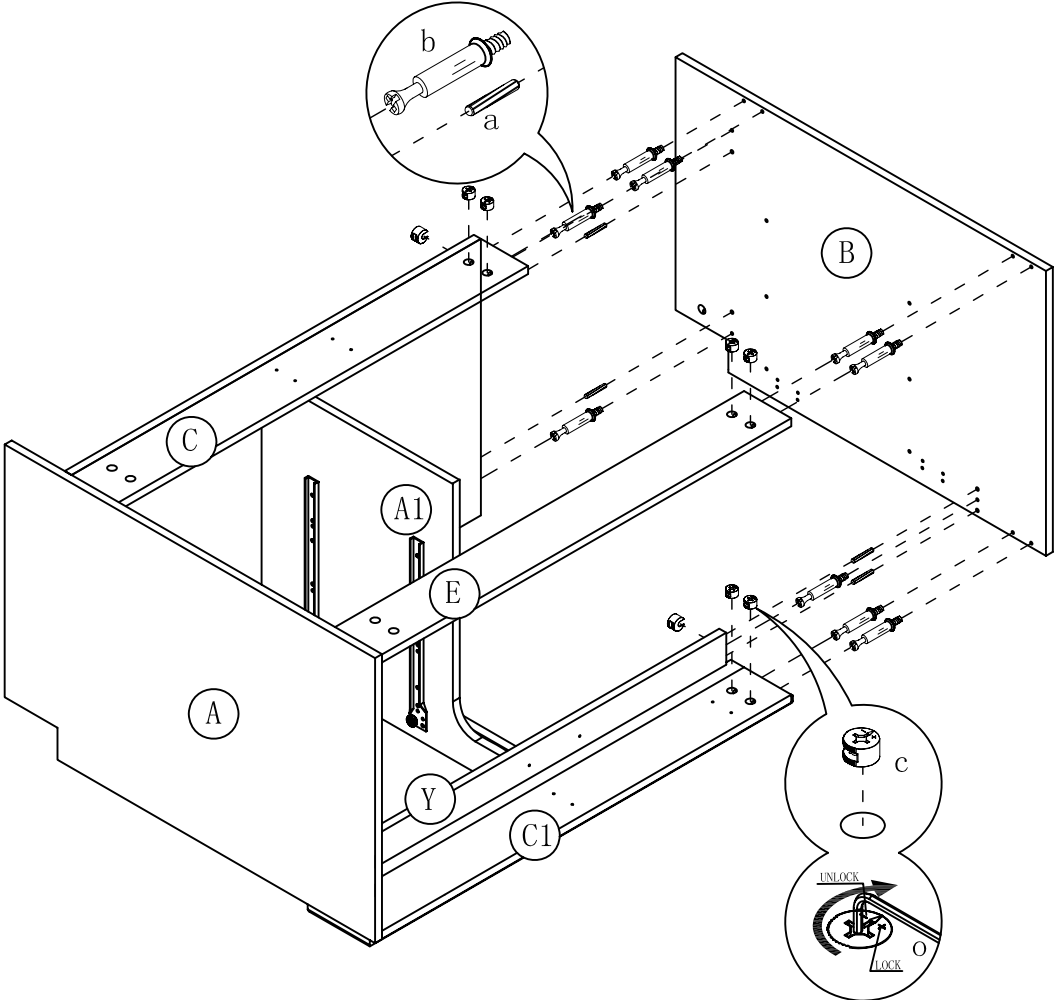




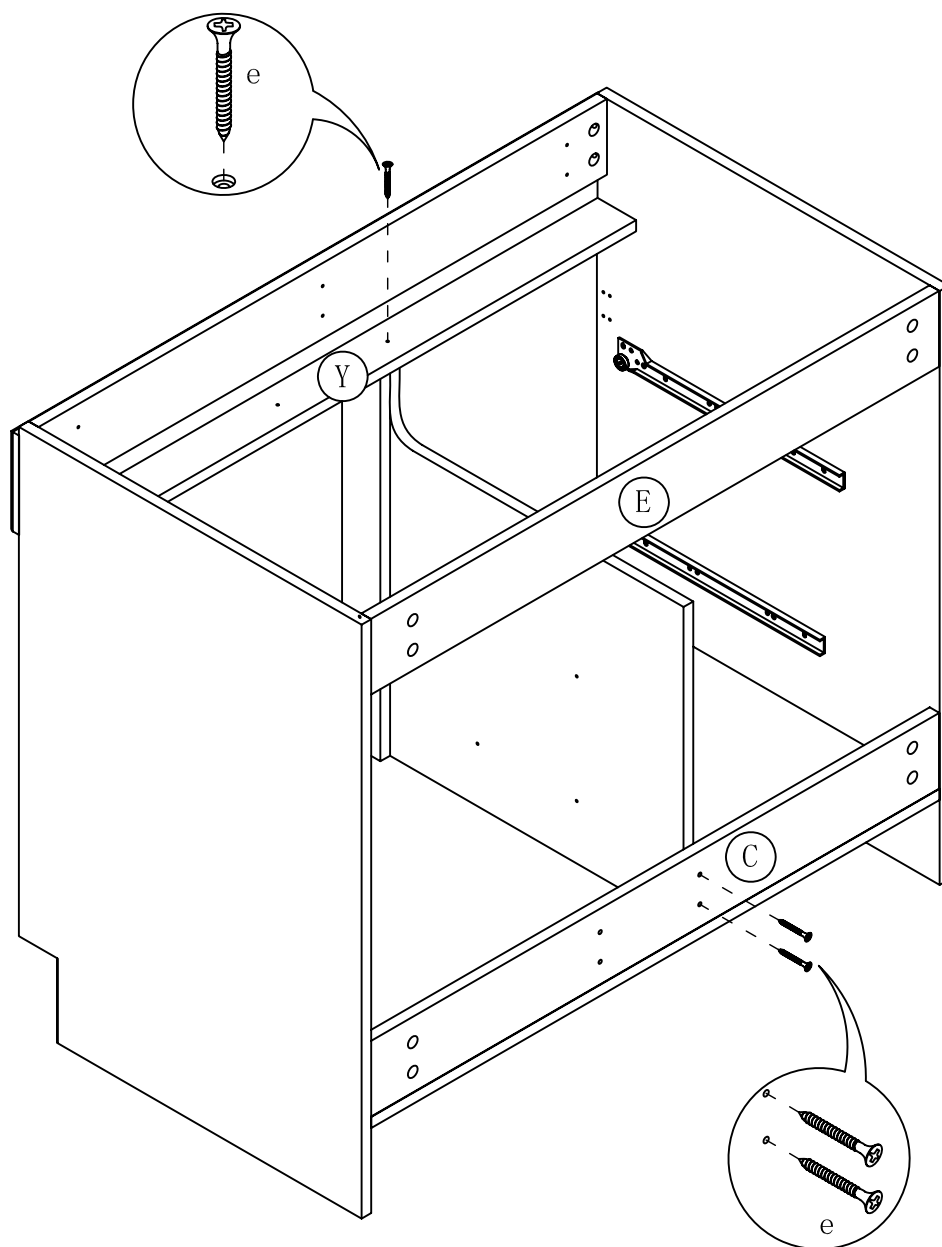
# STEP 12



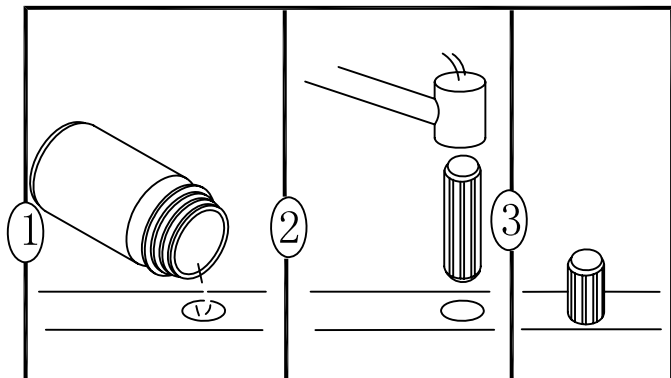
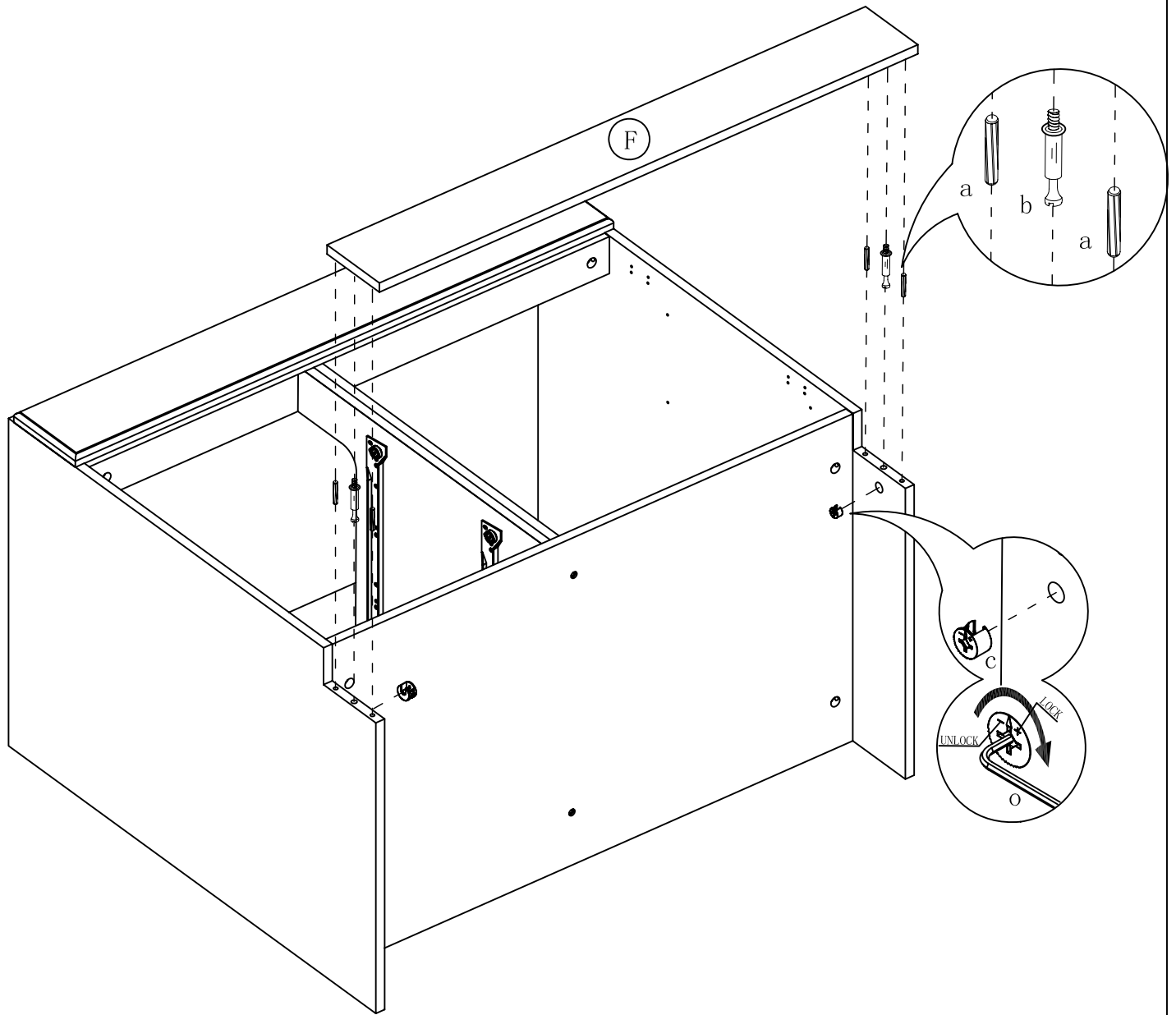
# STEP 13



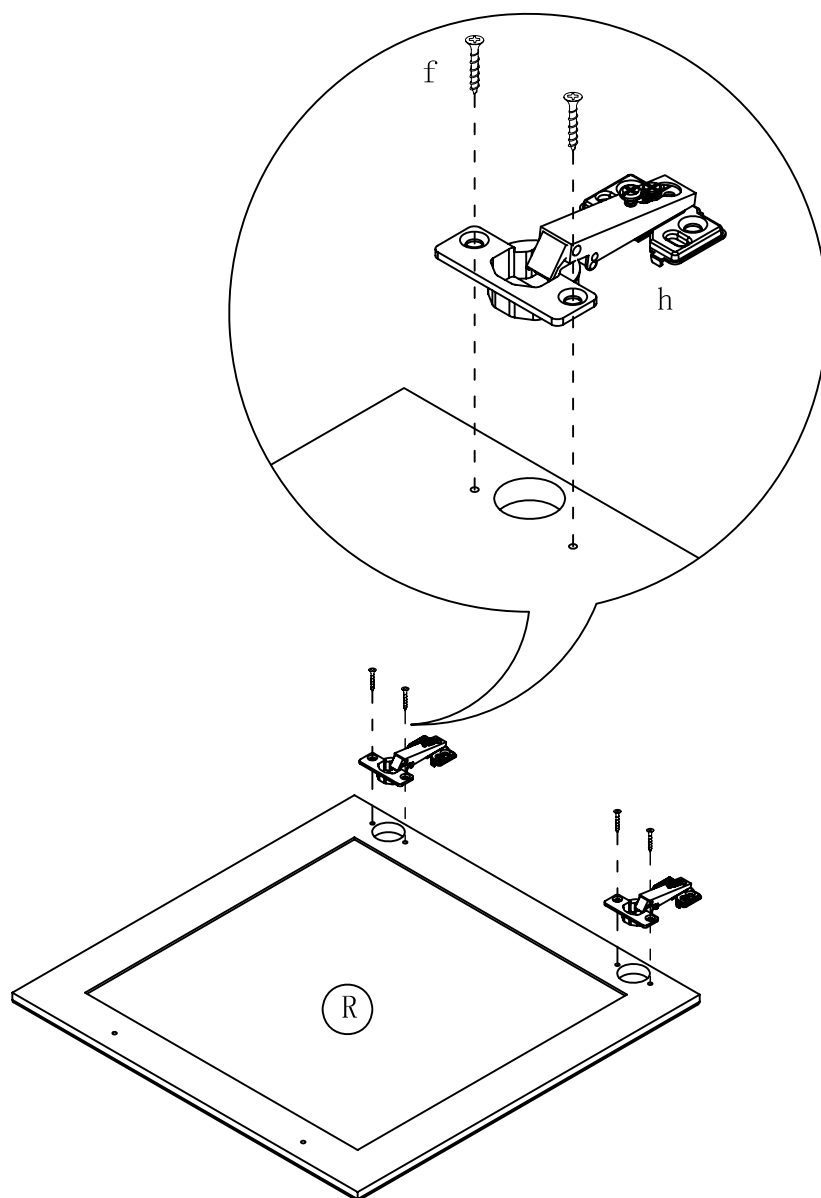
# STEP 14



# STEP 15

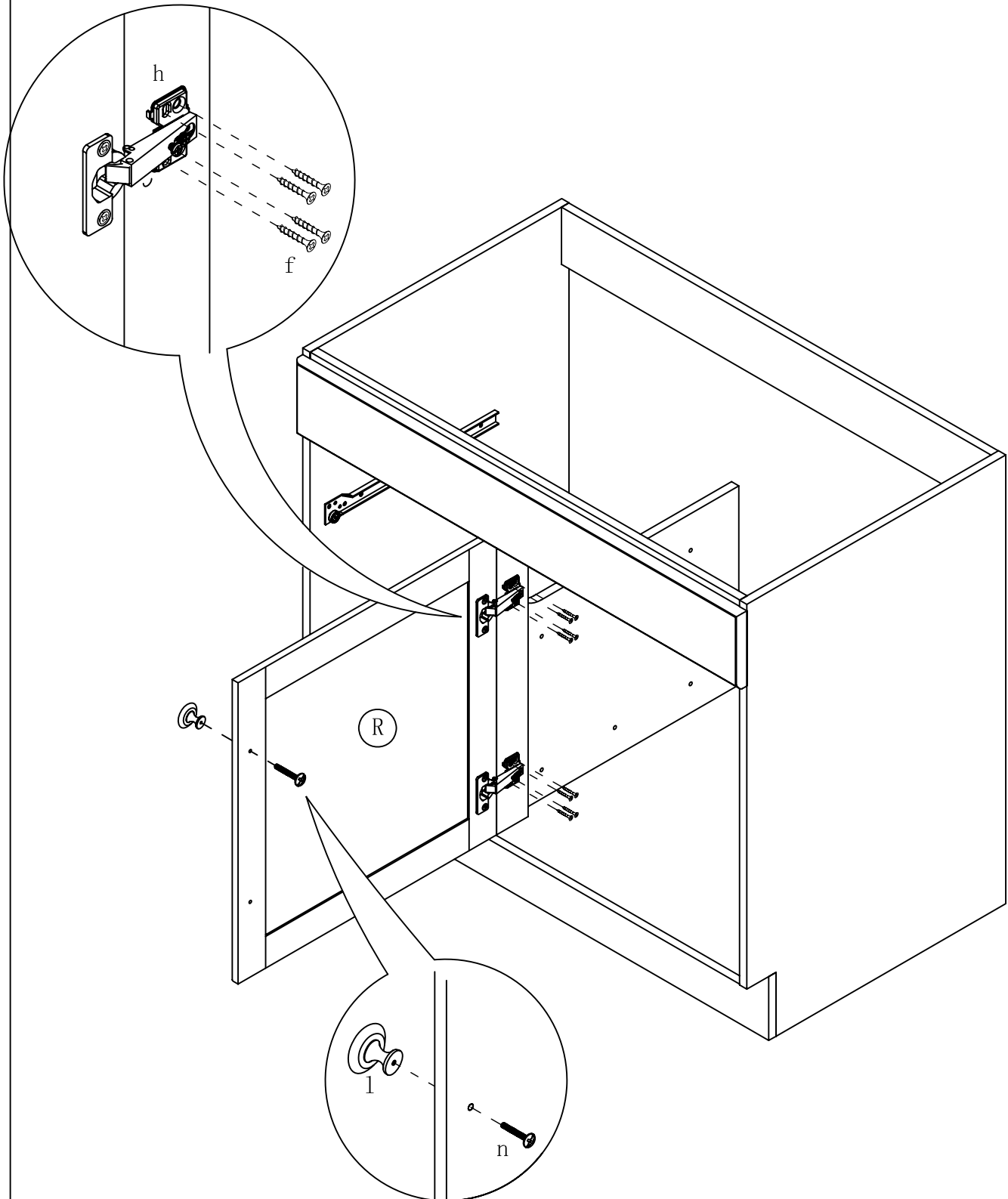


# STEP 16



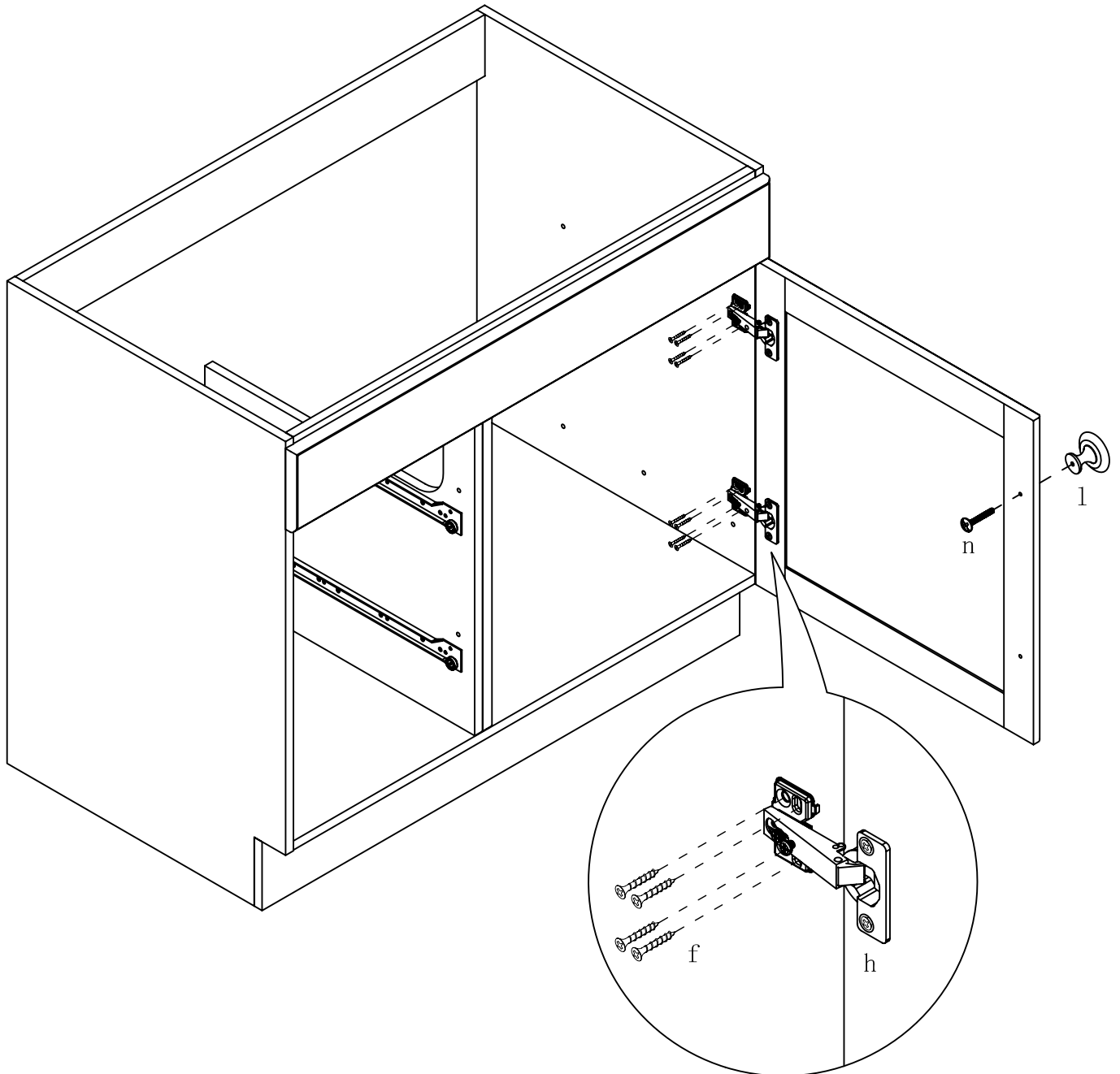
# STEP 17

FOLLOW STEP 17 FOR  
THE DOOR TO OPEN  
TO THE LEFT



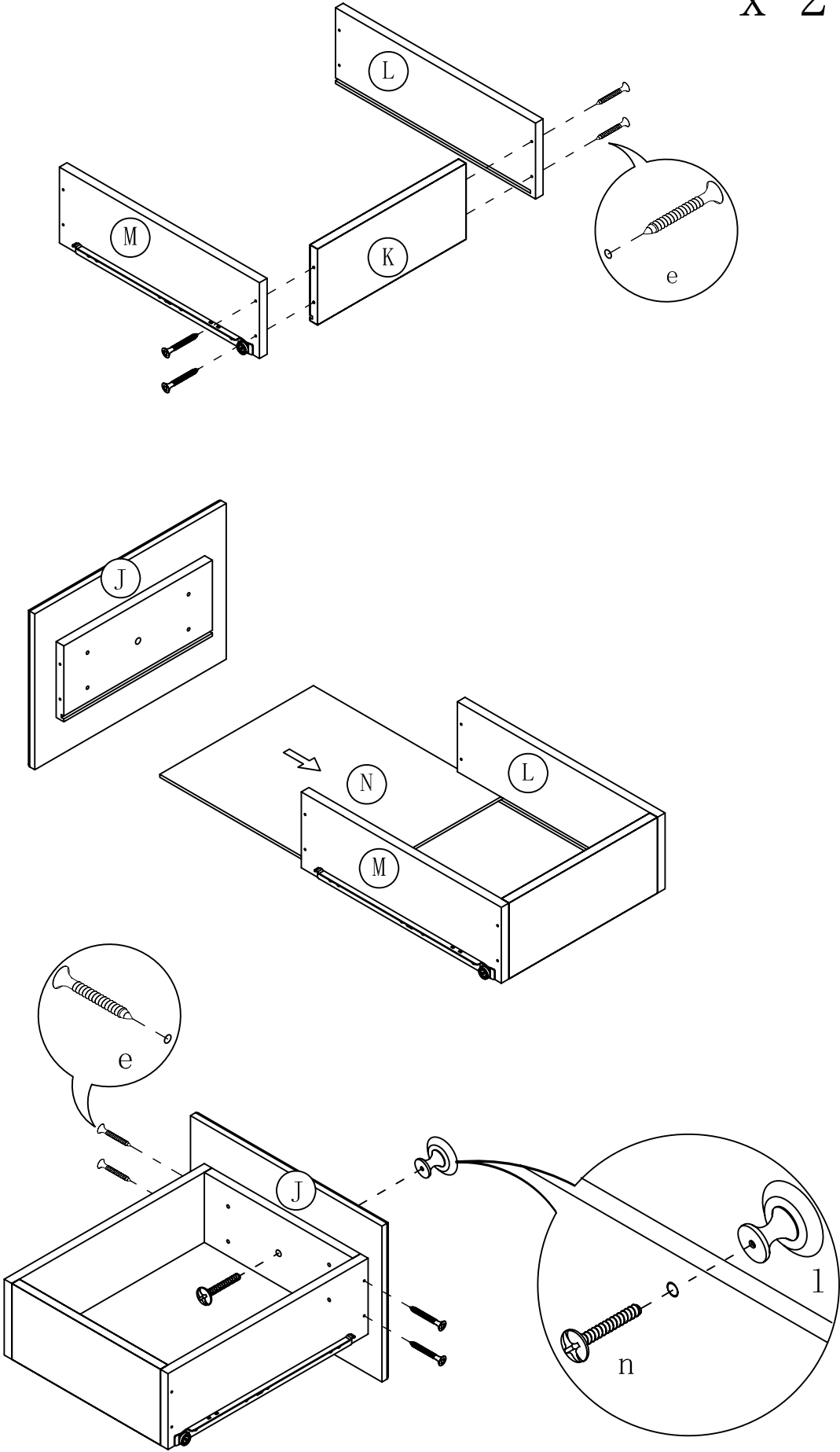
STEP 18

FOLLOW STEP 18 FOR  
THE DOOR TO OPEN  
TO THE RIGHT



STEP 19

x 2





STEP 20

