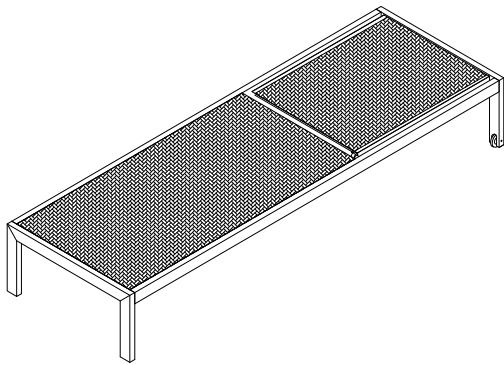



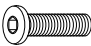

Thank you for purchasing the **MODWAY SUNBED**!

Before you start, here is some helpful advice:

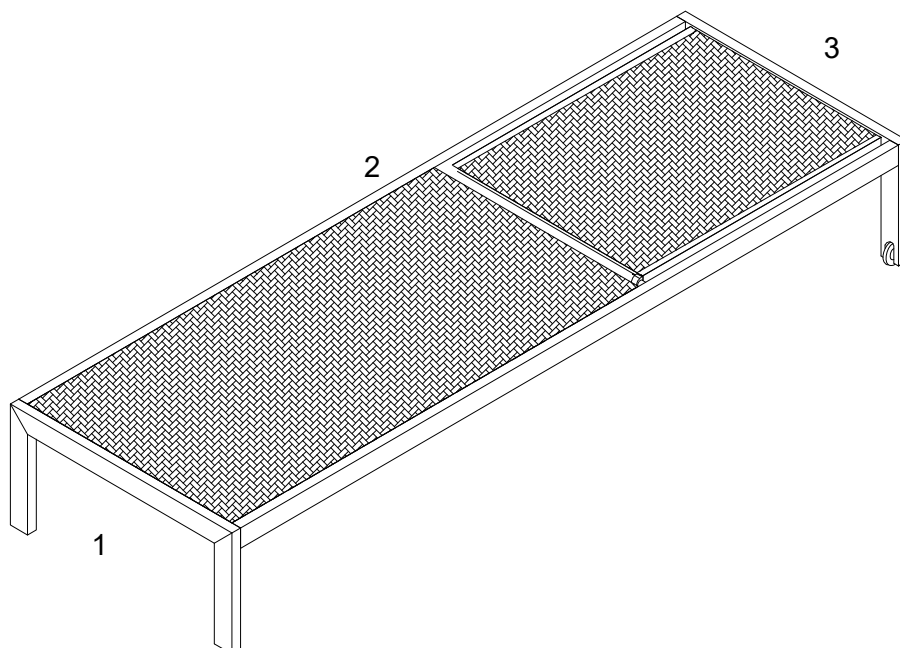
1. We suggest you spend a short time reading through this leaflet and then follow the simple step by step instructions.
2. Owing to the size and weight of the bed, we recommend that it is assembled by two adults, on a carpeted or padded area, in the room that it is intended for. Approx assembly time: 30 minutes.
3. Please do not use any tools other than those provided or recommended in these instructions.
4. Please do not throw away any of the packaging or the instruction until you have checked all the components and hardware and the furniture is fully assembled. Please ensure that the packaging is disposed of in a safe environmentally friendly way.
5. Assemble all components loosely until advised to tighten. Depending on use, it may be necessary to tighten the components from time to time, so please save the tools that has been provided.
6. Please keep all fitting out of reach of children.



### Hardware:

|   |  |              |    |
|---|--|--------------|----|
| A |    | Bolt M6x20mm | x4 |
| B |  | Bolt M6x25mm | x4 |
| C |  | Allen Wrench | x1 |

### Component:



1 Front Leg x1

2 Lounge Back x1

3 Back Leg x1

**STEP 1:**

Remove the plastic covers which pre-install in the end of side rail on the **Lounge Back(2)** by using **Allen Wrench (C)**.

Insert **Lounge Back (2)** into **Back Leg (3)** as shown by two adults.

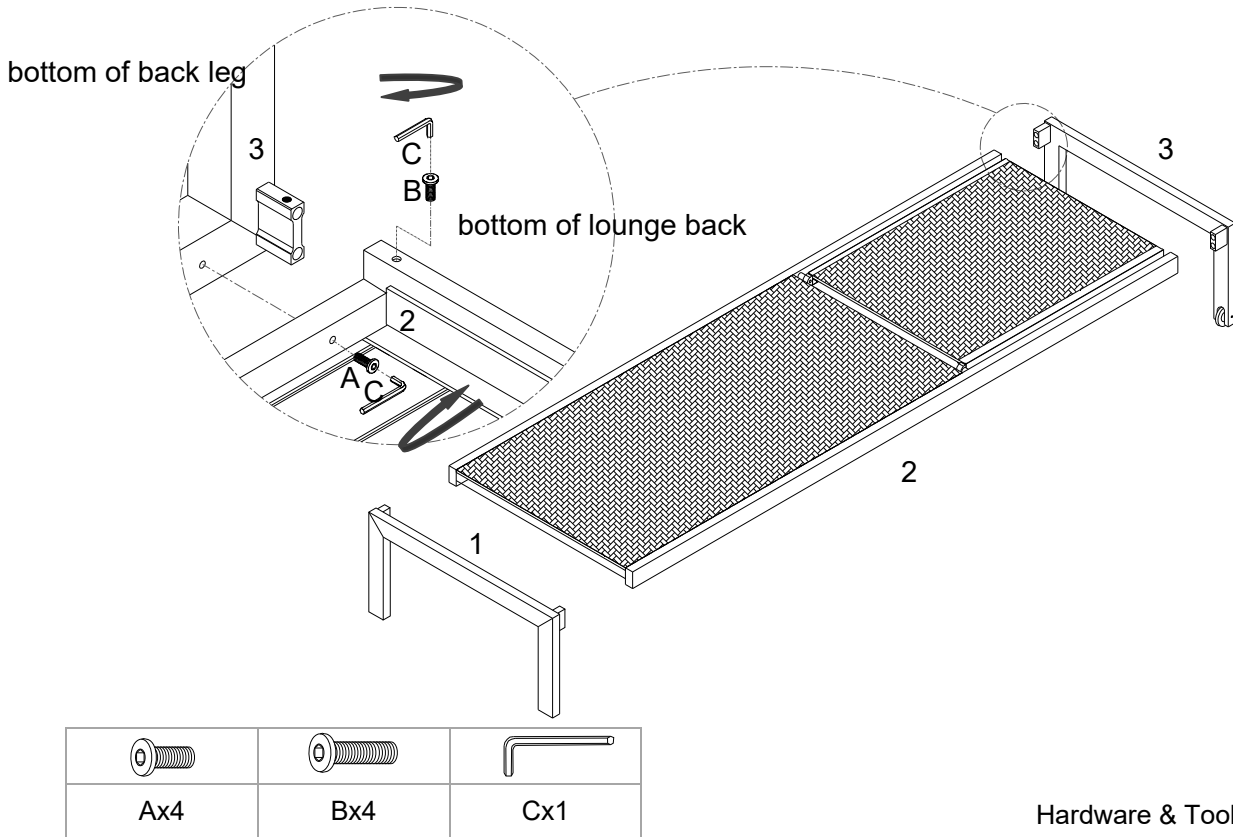
Insert 2 pieces of **Bolt (B)** from the pre-drilled holes on the bottom of the **Lounge Back (2)** into each side on the bottom of **Back Leg (3)**.

Insert 2 pieces of **Bolt (A)** from the pre-drilled holes on the side rail of the **Lounge Back (2)** into each end of **Back Leg (3)** as shown.

Do not fully tighten **Bolts (A&B)** at this step.

Repeat the same steps for **Front Leg (1)**.

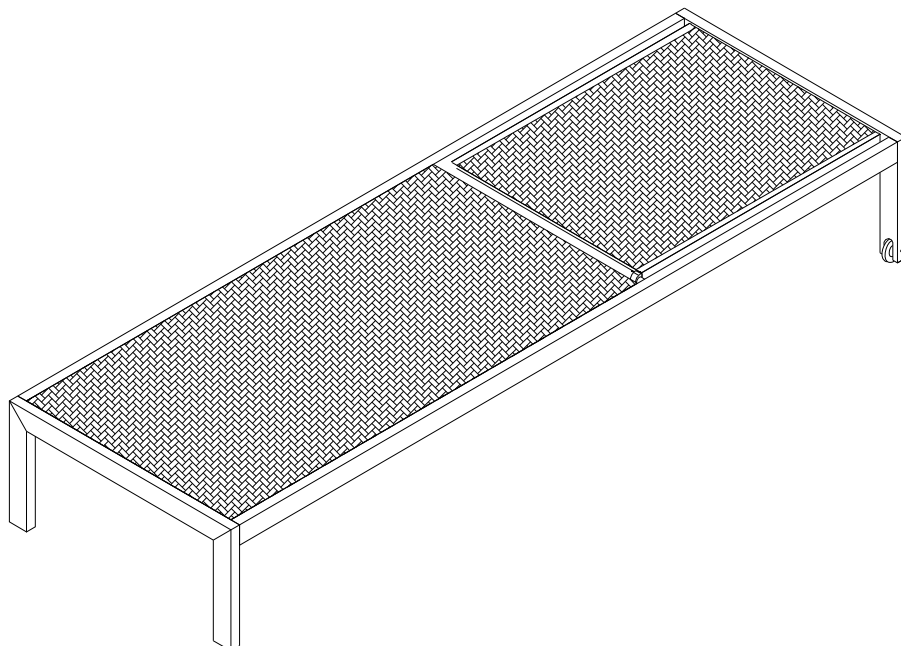
After checking the leveling for all connections, please use **Allen Wrench (C)** to tighten all **Bolts (A&B)** clockwise until secure.



Hardware & Tool required

**STEP 2:**

Carefully place the assembled bed at your desired position.



Assembly is completed. The bed is ready to enjoy now!